



US00D760456S

(12) **United States Design Patent**  
**Jeon et al.**

(10) **Patent No.:** **US D760,456 S**  
(45) **Date of Patent:** **\*\* Jun. 28, 2016**

(54) **CLOTHES DRYER**

(71) Applicant: **LG Electronics Inc.**, Seoul (KR)

(72) Inventors: **Ho Il Jeon**, Seoul (KR); **Eun Young Chee**, Seoul (KR); **Ki Hyuk Kim**, Seoul (KR); **Hye Rim An**, Seoul (KR); **Ne Rry Son**, Seoul (KR)

(73) Assignee: **LG Electronics Inc.**, Seoul (KR)

(\*\*) Term: **14 Years**

(21) Appl. No.: **29/514,354**

(22) Filed: **Jan. 12, 2015**

(30) **Foreign Application Priority Data**

Aug. 5, 2014 (KR) ..... 30-2014-0038329

(51) **LOC (10) Cl.** ..... **15-05**

(52) **U.S. Cl.**  
USPC ..... **D32/25**

(58) **Field of Classification Search**  
USPC ..... D32/3-6, 8, 10, 24, 25, 28; 34/88, 108, 34/109, 11, 242, 595-597; 312/228  
CPC ..... D06F 39/14; D06F 58/00; D06F 58/02; D06F 58/04; D06F 58/10; D06F 58/14; D06F 58/20; D06F 58/28  
See application file for complete search history.

(56) **References Cited**

**U.S. PATENT DOCUMENTS**

- D582,107 S \* 12/2008 Ha ..... D32/6
- 7,549,305 B2 \* 6/2009 Yun ..... D06F 37/28 68/12.01
- D630,807 S \* 1/2011 Song ..... D32/6
- D689,655 S \* 9/2013 Chung ..... D32/25
- 8,936,330 B2 \* 1/2015 Kim ..... D06F 33/02 126/190
- 2004/0020246 A1 \* 2/2004 Yun ..... D06F 39/14 68/24
- 2006/0225302 A1 \* 10/2006 Lyu ..... D06F 29/00 34/595

2012/0161594 A1\* 6/2012 Kim ..... D06F 39/14 312/228  
2012/0187811 A1\* 7/2012 Kim ..... D06F 33/02 312/228

(Continued)

*Primary Examiner* — Rosemary K Tarca

*Assistant Examiner* — Yolanda Robinson

(74) *Attorney, Agent, or Firm* — Morgan, Lewis & Bockius LLP

(57) **CLAIM**

We claim the ornamental design for a clothes dryer, as shown and described.

**DESCRIPTION**

FIG. 1 is a perspective view of a clothes dryer showing our new design, a window being included on a door;

FIG. 2 is a front elevation view thereof;

FIG. 3 is a rear elevation view thereof;

FIG. 4 is a left-side elevation view thereof;

FIG. 5 is a right-side elevation view thereof;

FIG. 6 is a top plan view thereof;

FIG. 7 is a bottom plan view thereof;

FIG. 8 is a perspective view showing the door halfway opened in the left-to-right direction;

FIG. 9 is a front elevation view showing the door halfway opened in the left-to-right direction;

FIG. 10 is a perspective view showing the door fully closed;

FIG. 11 is a front elevation view showing the door fully closed;

FIG. 12 is a perspective view showing the door halfway opened in the top-to-bottom direction;

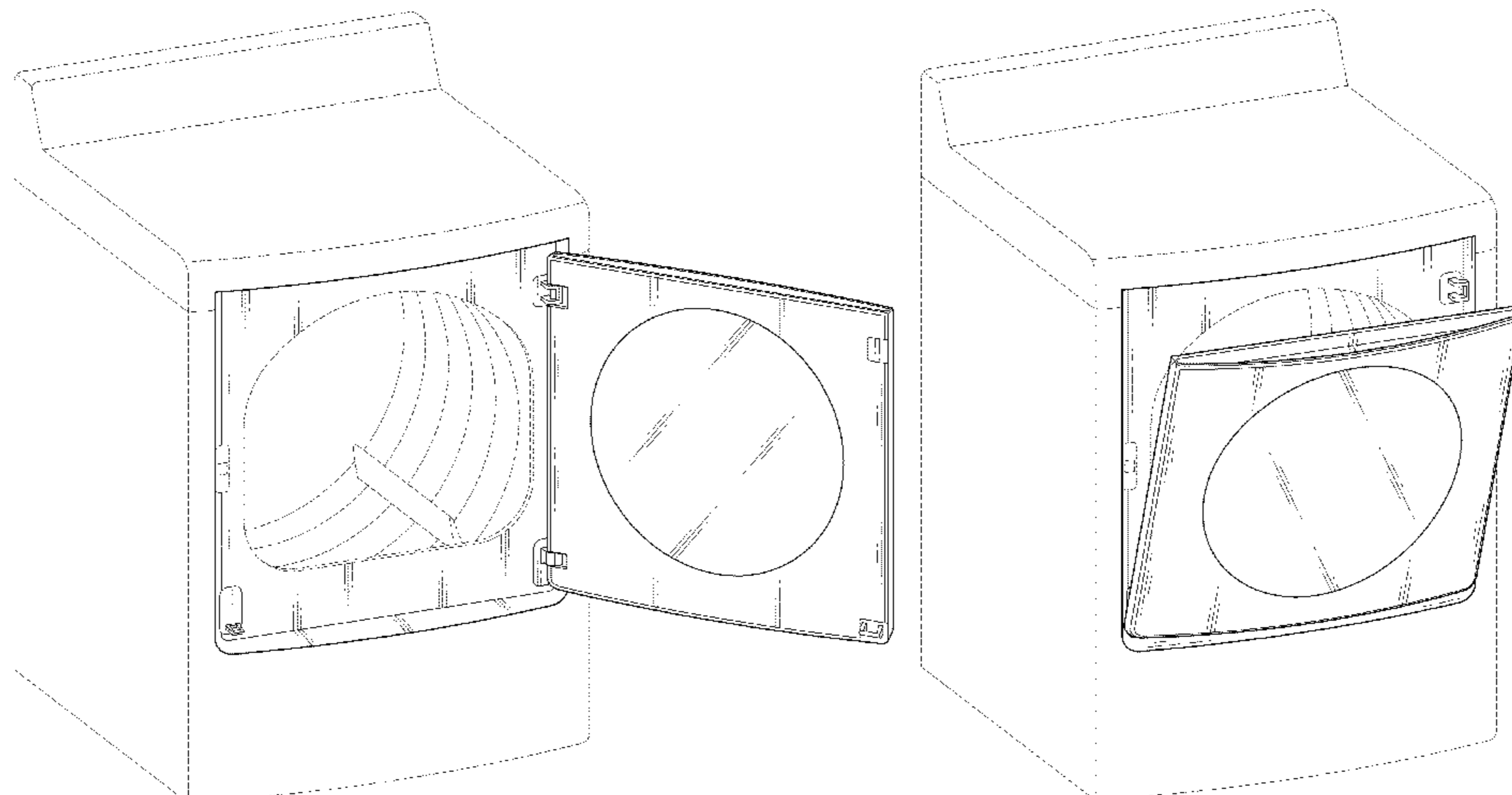
FIG. 13 is a front elevation view showing the door halfway opened in the top-to-bottom direction;

FIG. 14 is a perspective view showing the door fully opened in the top-to-bottom direction; and,

FIG. 15 is a front elevation view showing the door fully opened in the top-to-bottom direction.

The broken lines in the drawing figures are included for the purpose of illustrating environment and form no part of the claimed design.

**1 Claim, 15 Drawing Sheets**



# US D760,456 S

Page 2

(56)

## References Cited

### U.S. PATENT DOCUMENTS

2012/0217851	A1*	8/2012	Bae	.....	D06F 37/28	312/222
2014/0339970	A1*	11/2014	Bae	.....	D06F 39/14	312/222
2014/0375189	A1*	12/2014	Kim	.....	D06F 39/14	312/228
2015/0123523	A1*	5/2015	Woo	.....	D06F 39/14	312/228
2015/0145388	A1*	5/2015	Jung	.....	D06F 37/267	312/228
2015/0184331	A1*	7/2015	Lee	.....	D06F 39/12	312/228
2015/0233038	A1*	8/2015	Lee	.....	D06F 37/225	312/228
2015/0233039	A1*	8/2015	Cho	.....	D06F 37/225	312/228
2015/0233042	A1*	8/2015	Kang	.....	D06F 39/12	312/228

\* cited by examiner

FIG. 1

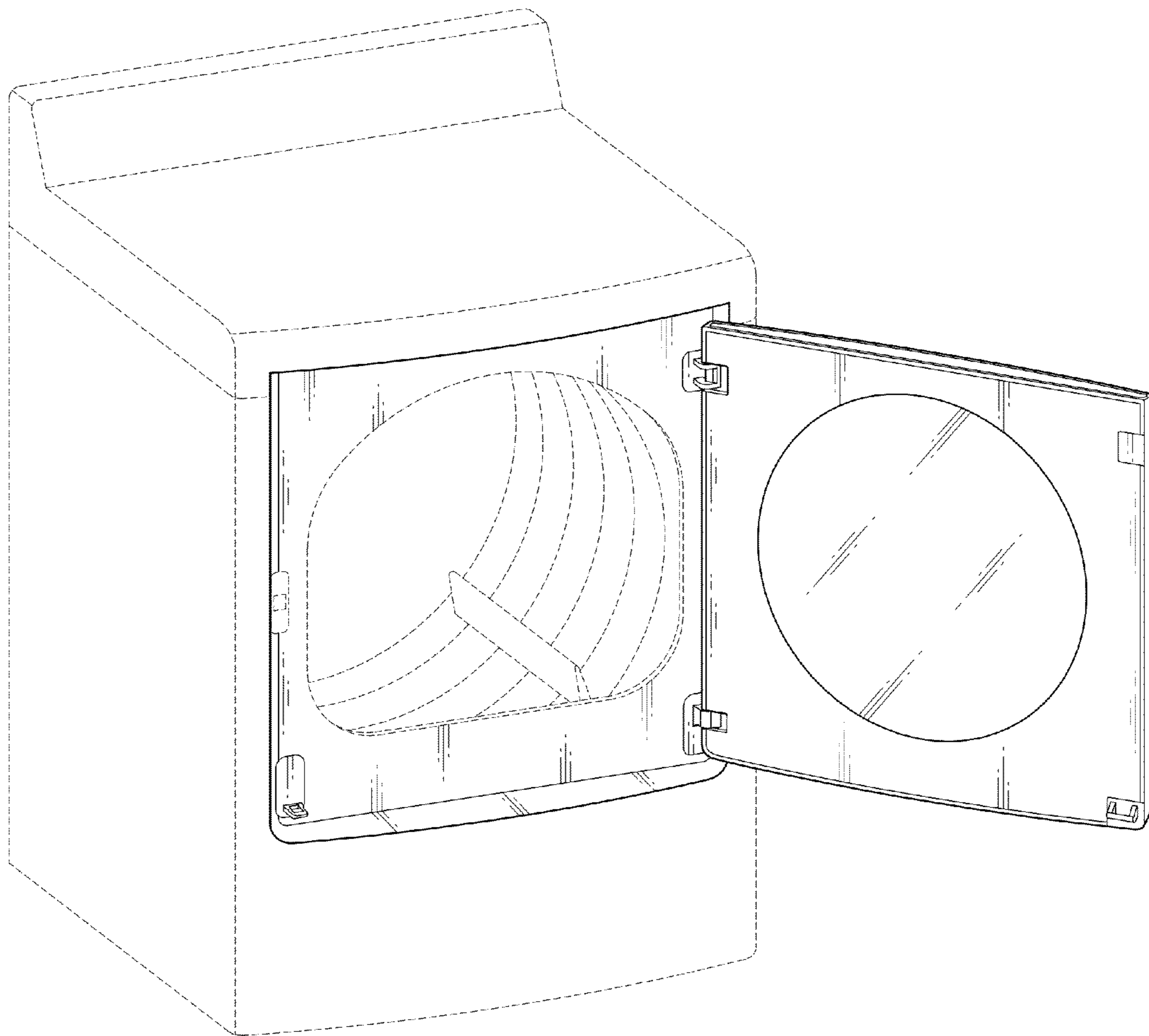


FIG. 2

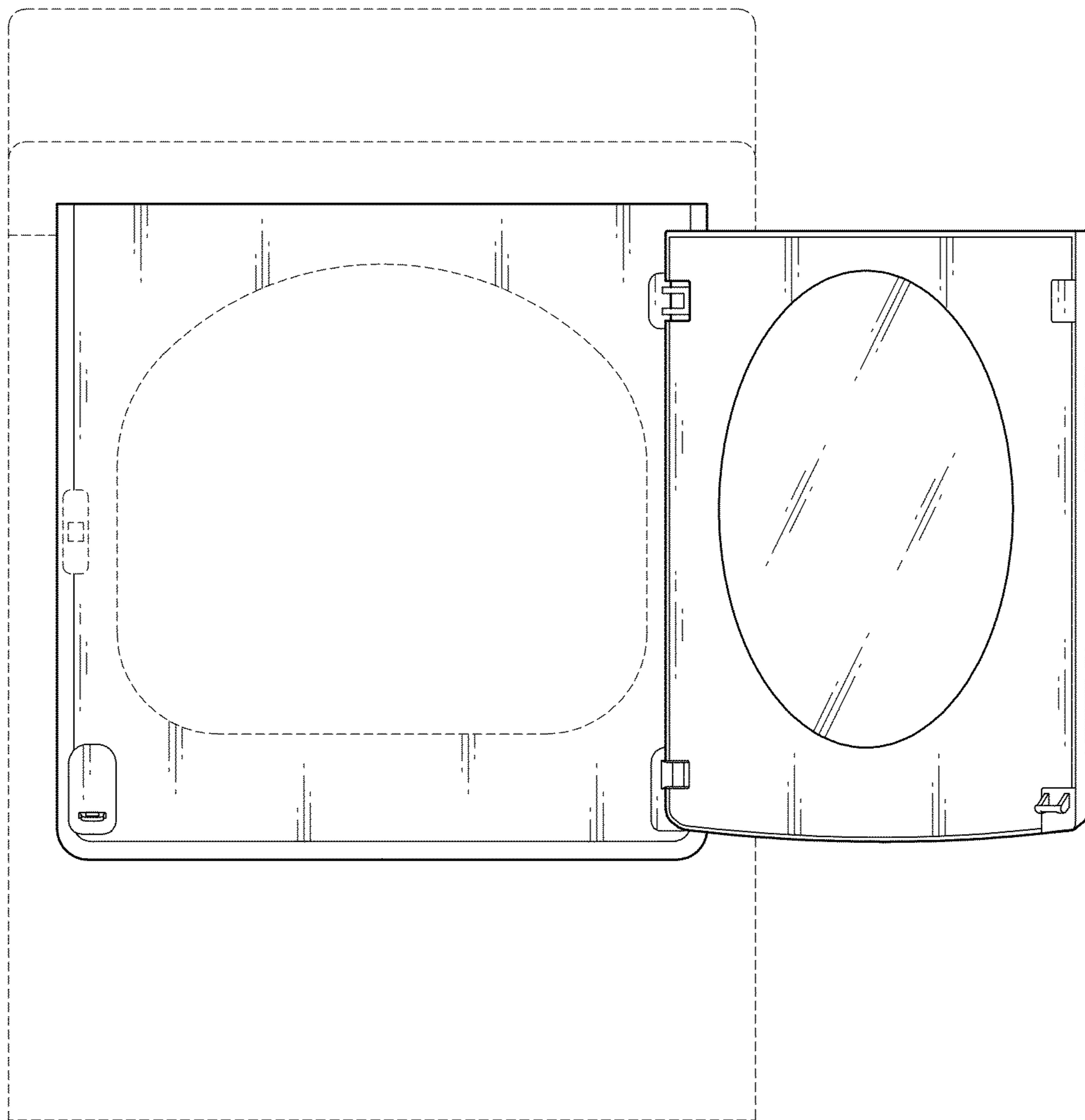


FIG. 3

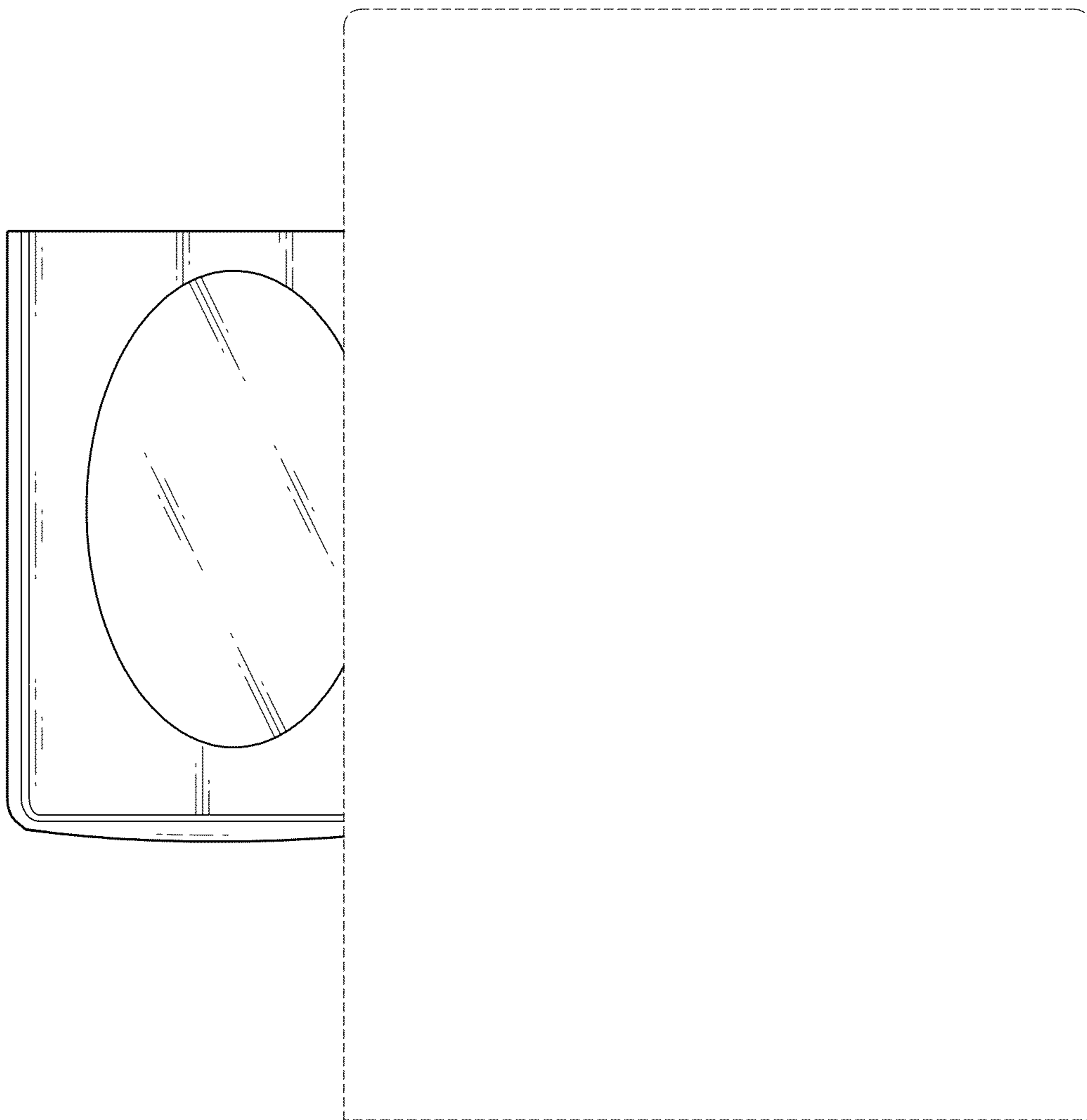


FIG. 4

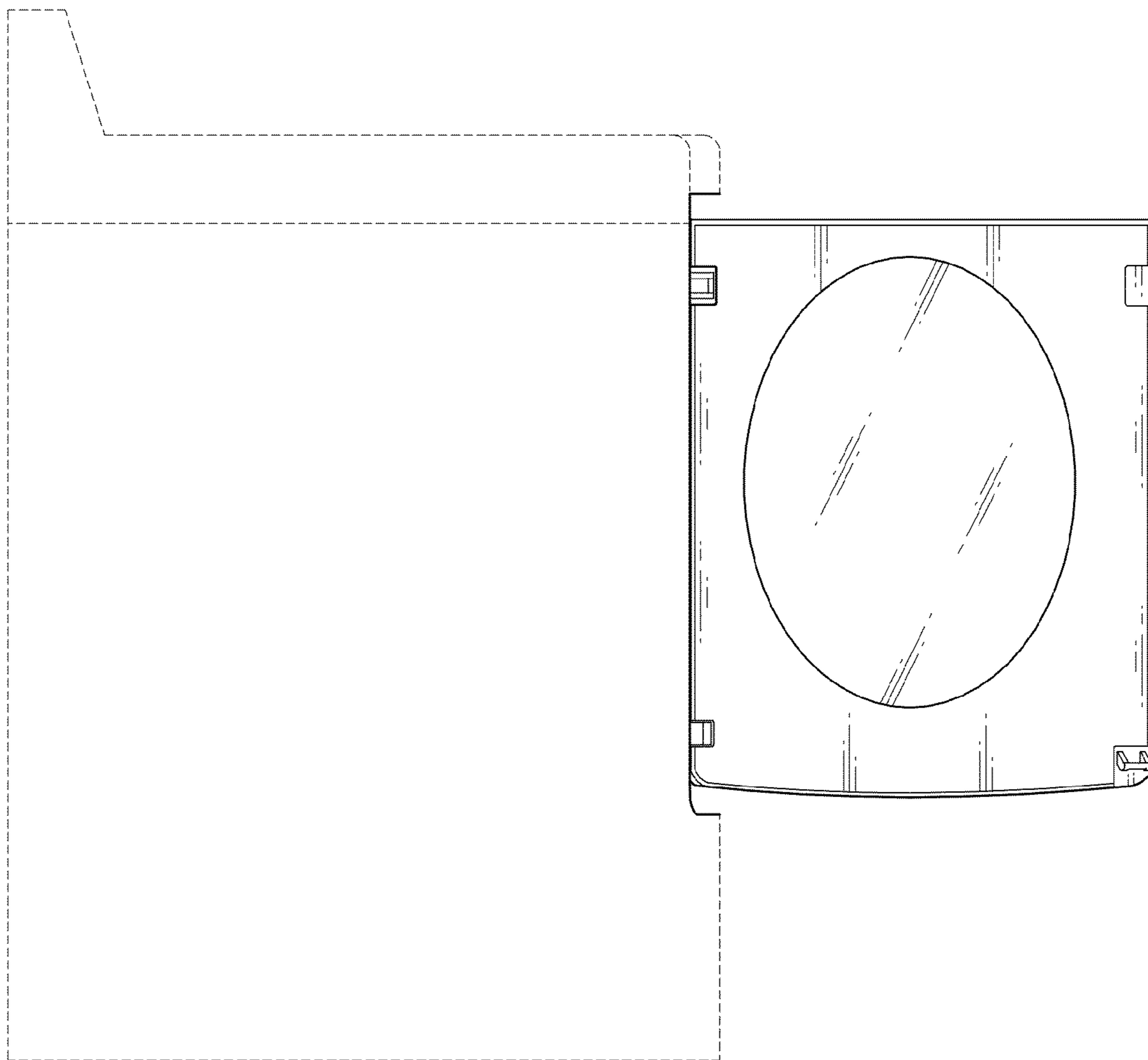




FIG. 5

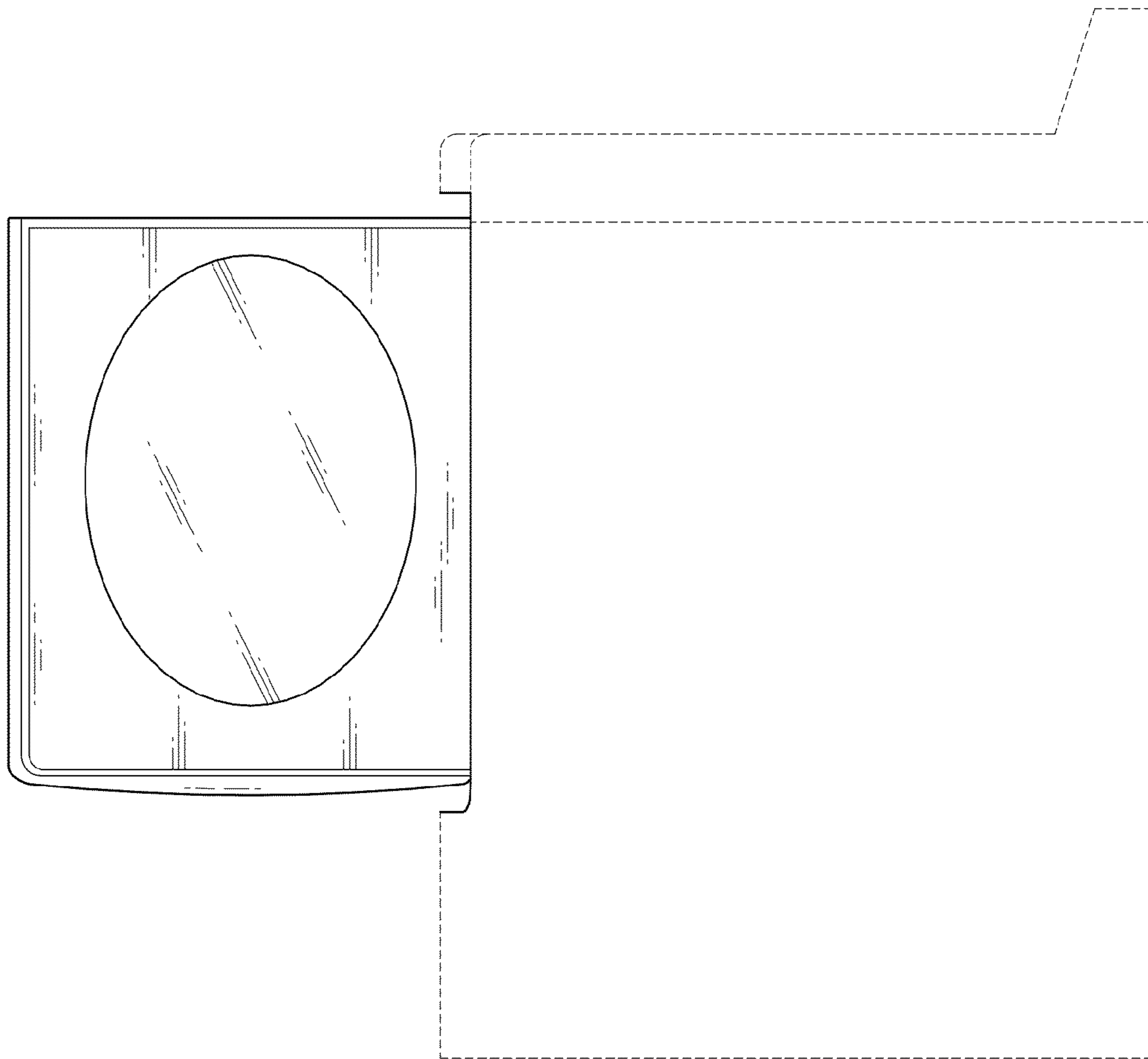


FIG. 6

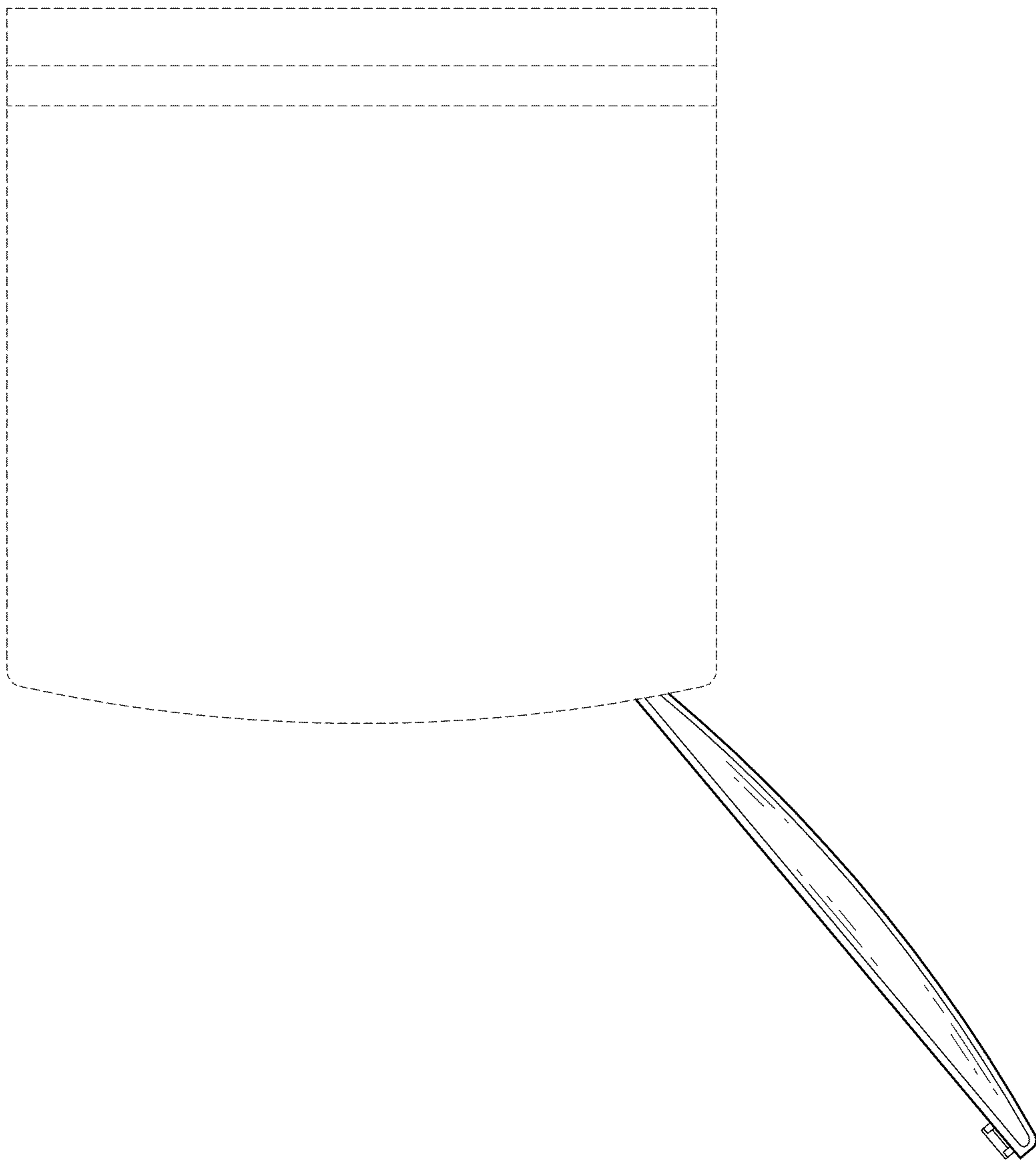




FIG. 7

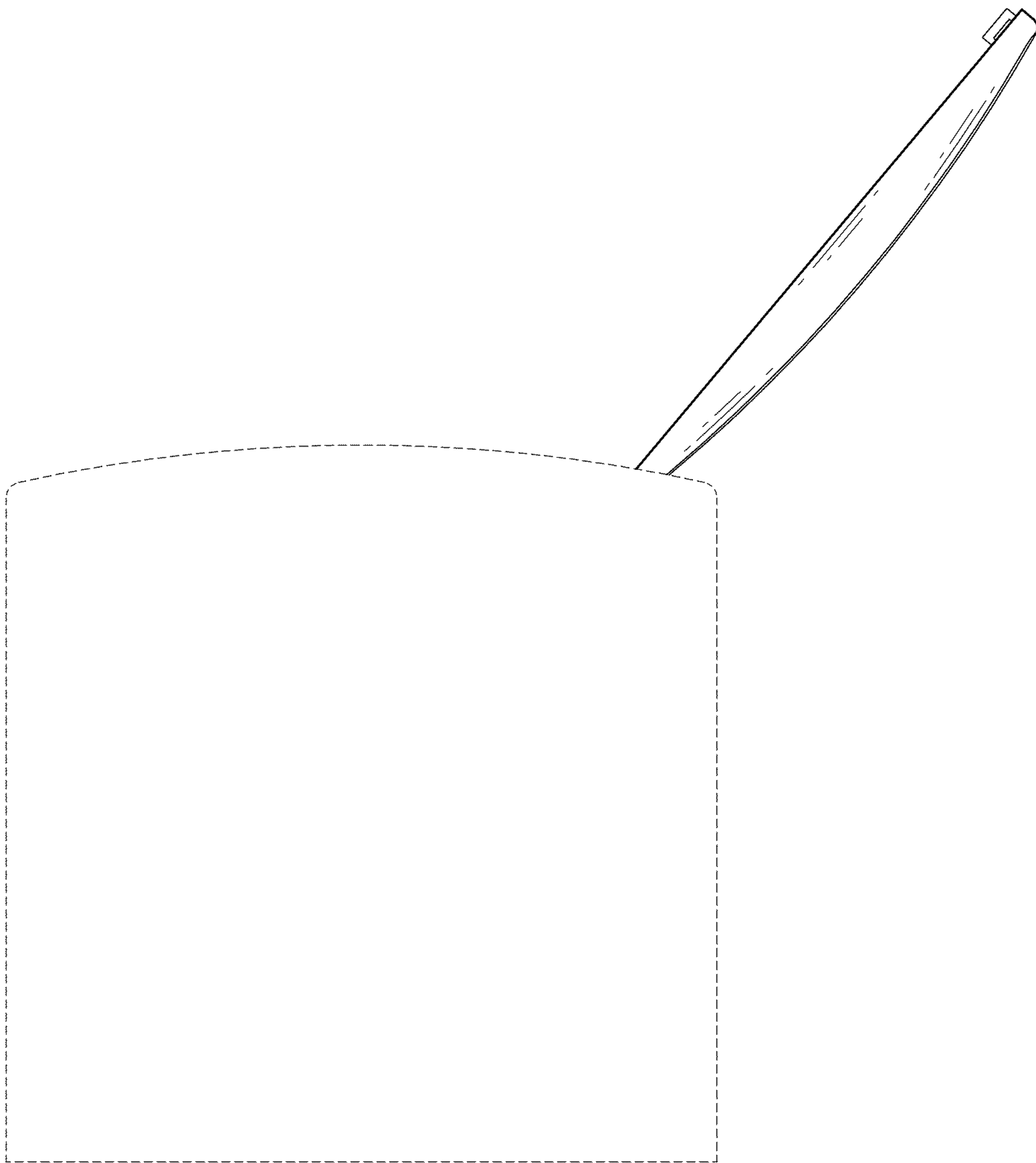


FIG. 8

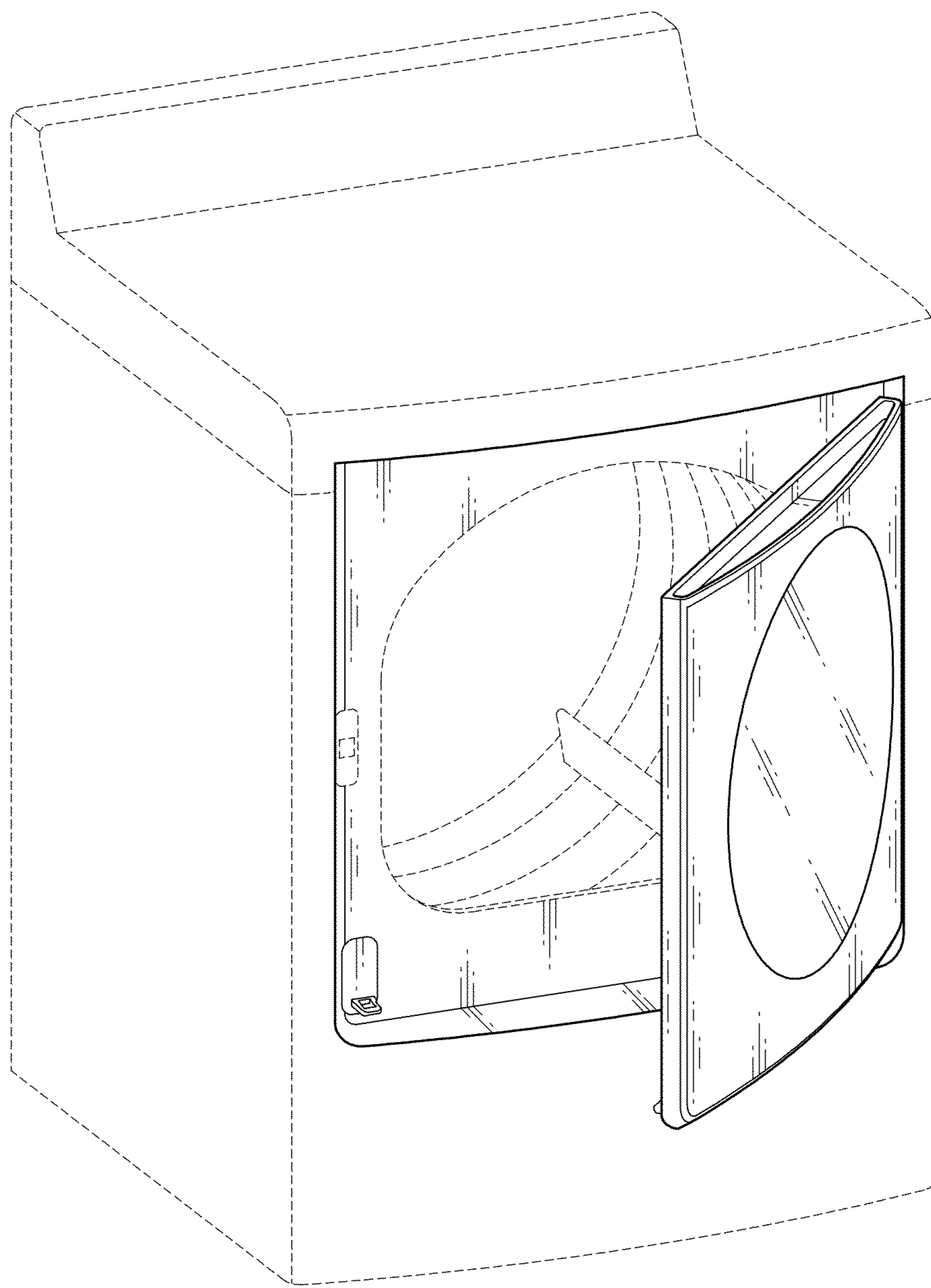


FIG. 9

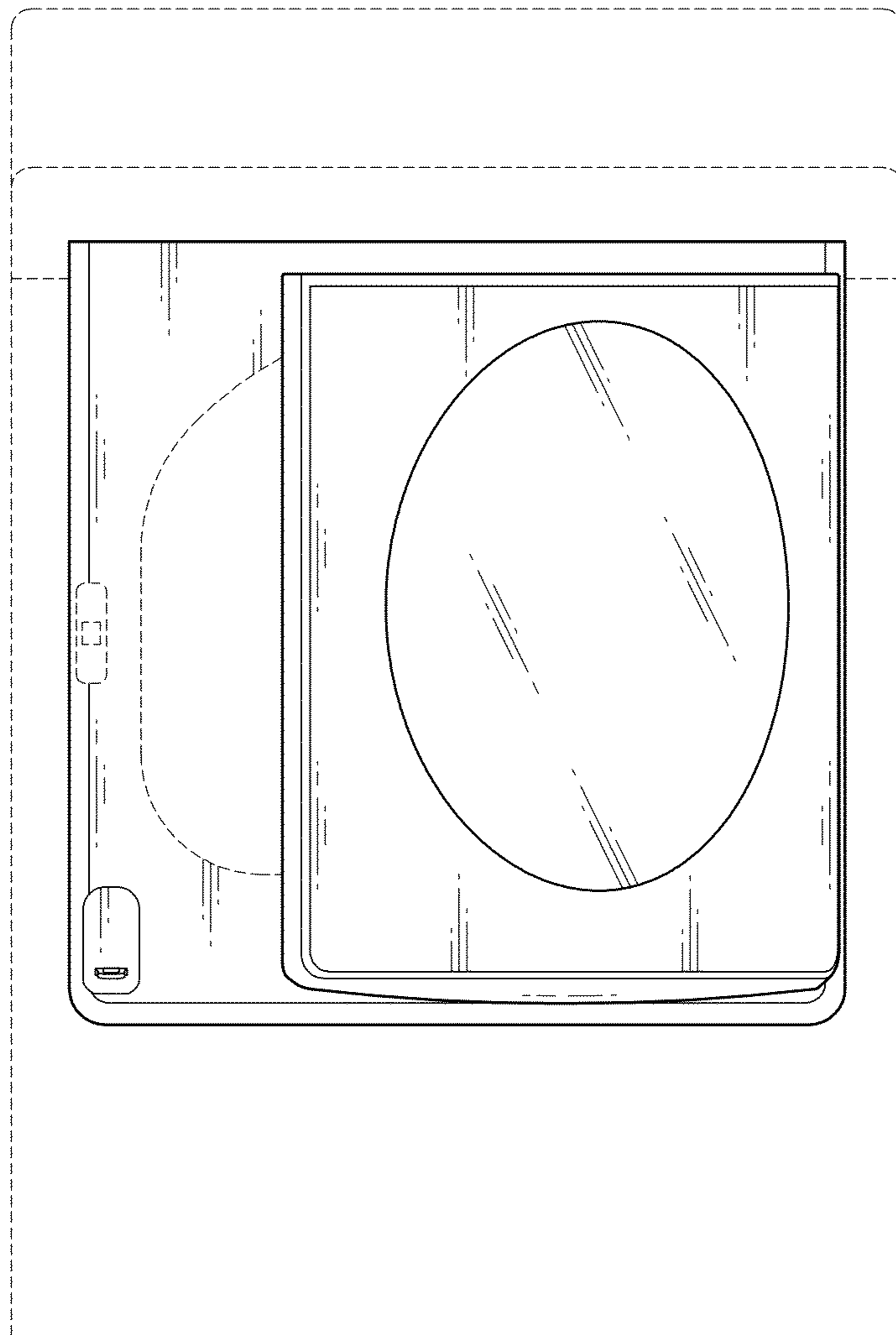


FIG. 10

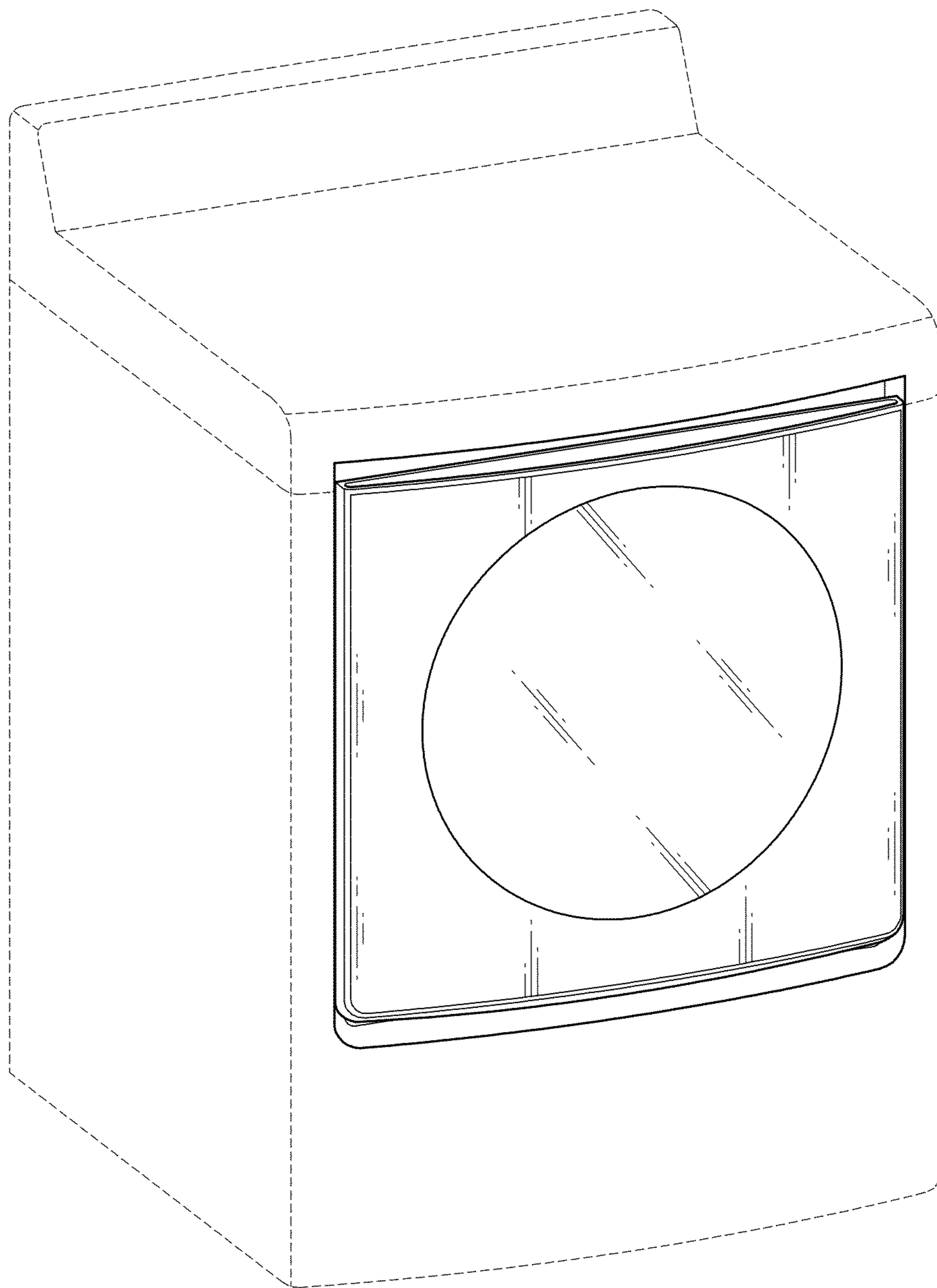


FIG. 11

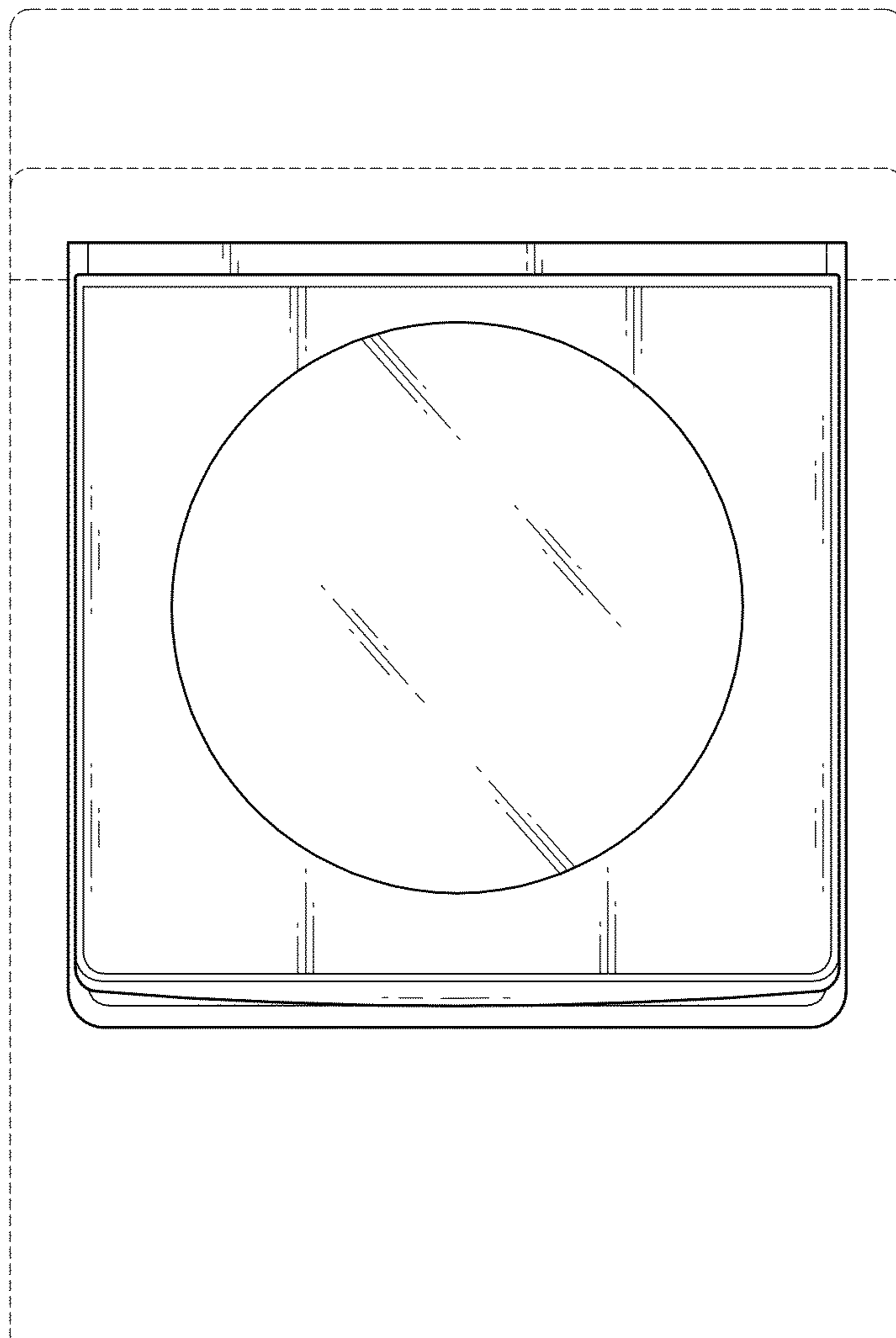


FIG. 12

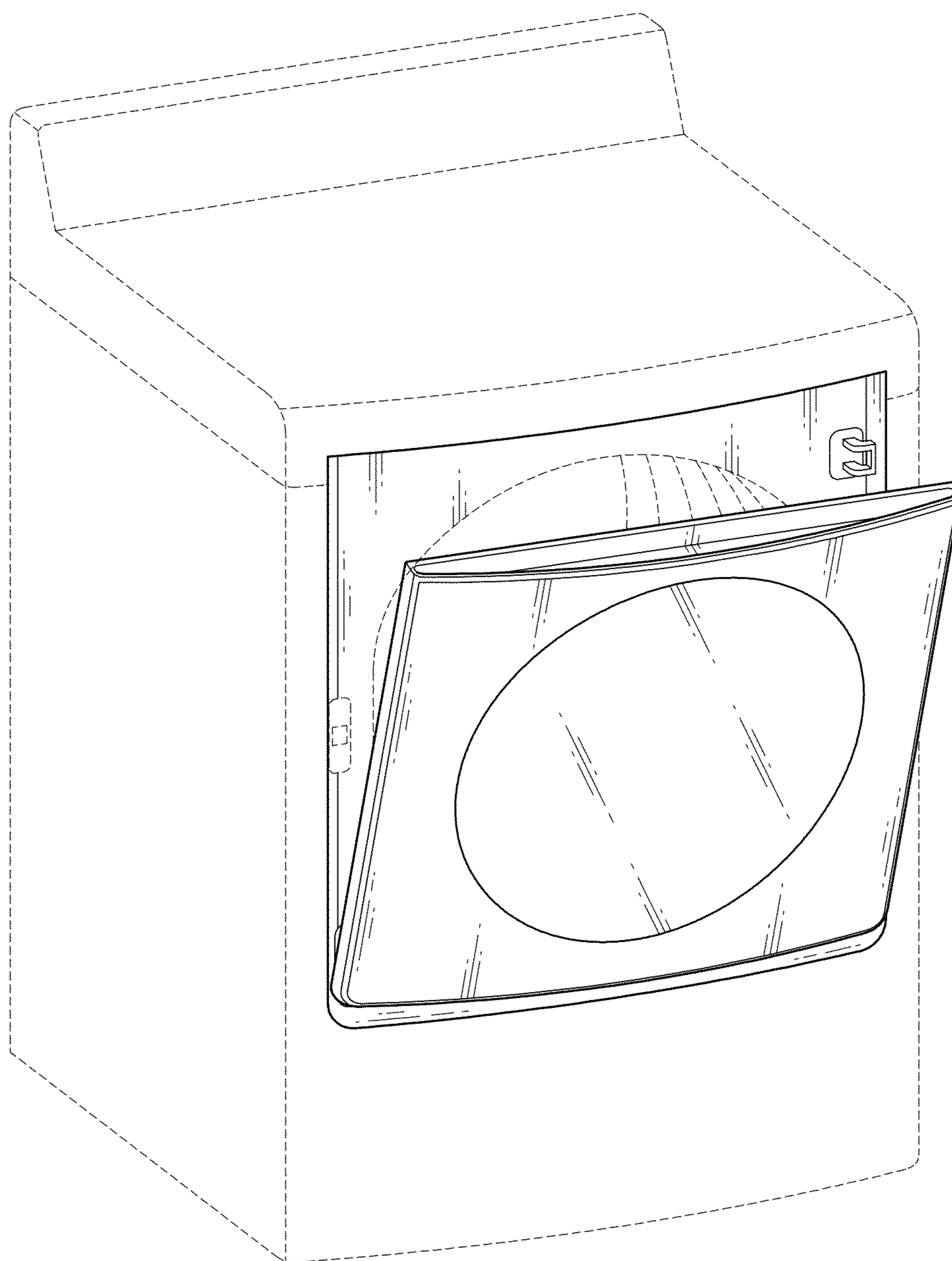


FIG. 13

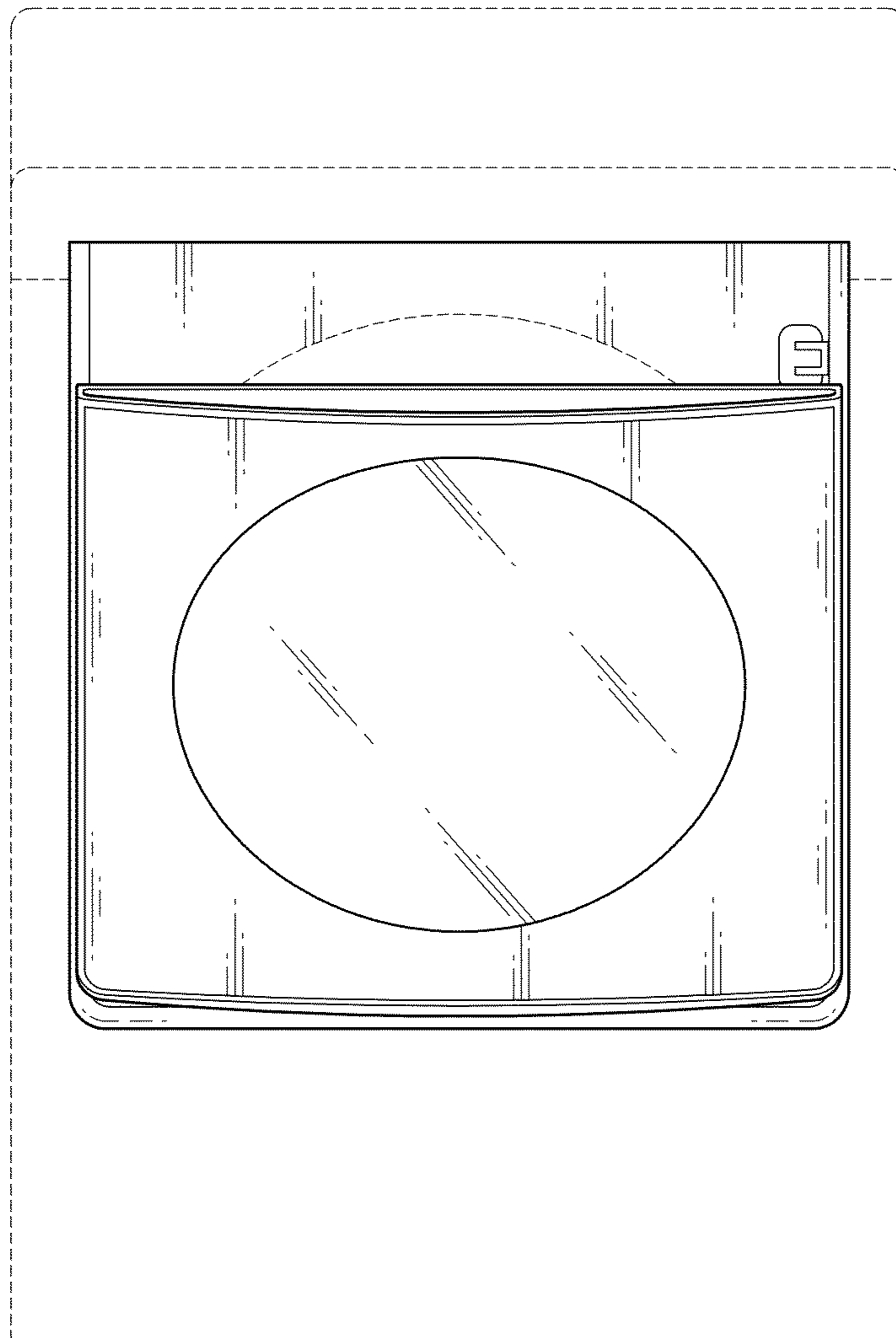




FIG. 14

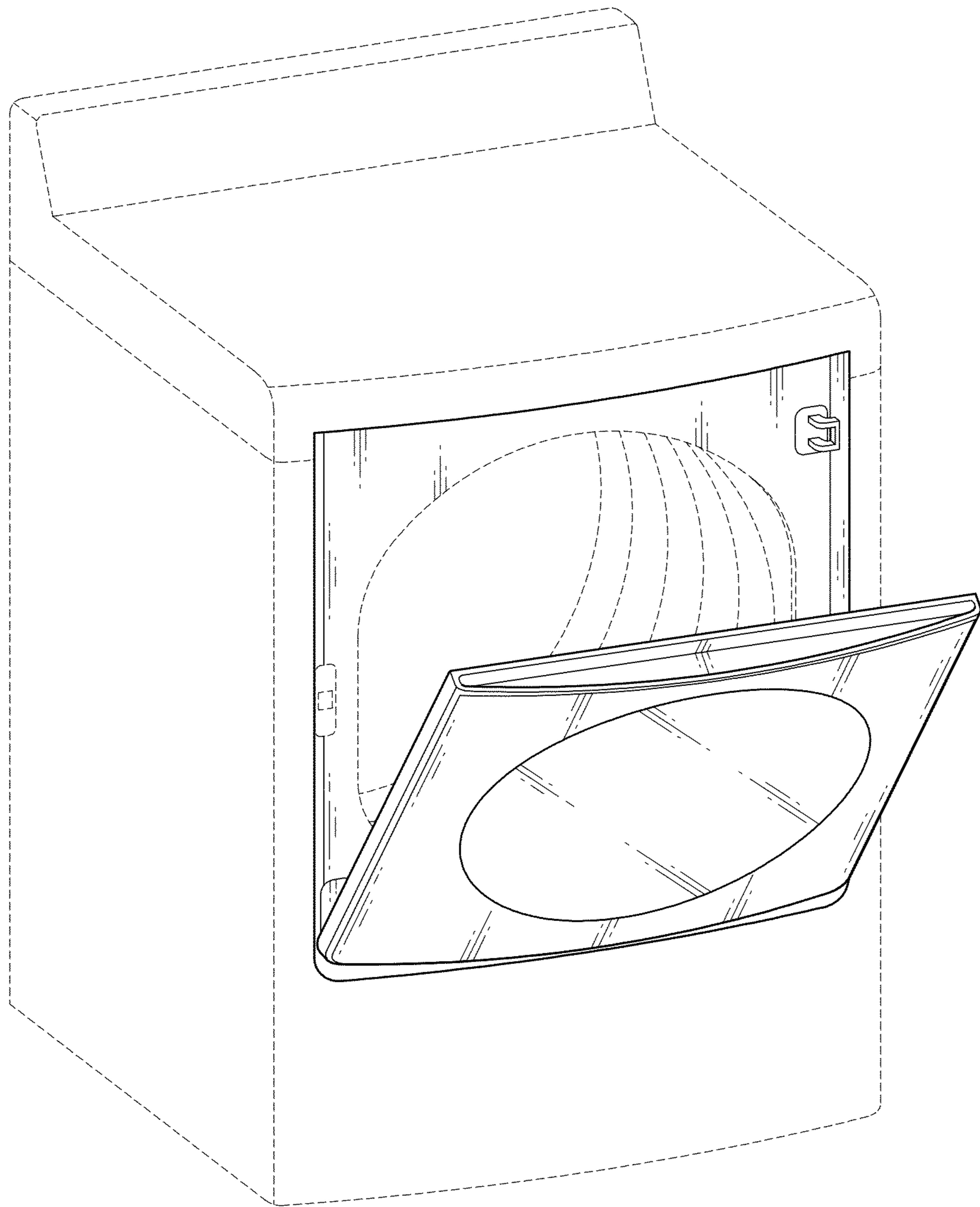


FIG. 15

