



US00D760454S

(12) **United States Design Patent**
Joo et al.

(10) **Patent No.:** **US D760,454 S**
(45) **Date of Patent:** **** Jun. 28, 2016**

(54) **WASHING MACHINE**

D730,595 S * 5/2015 Jeong D32/6
D733,372 S * 6/2015 Song D32/6
D739,096 S * 9/2015 Qin D32/6

(71) Applicant: **Samsung Electronics Co., Ltd.**,
Suwon-si, Gyeonggi-do (KR)

OTHER PUBLICATIONS

(72) Inventors: **Ah-Jung Joo**, Seoul (KR); **Sung-Kyung Lee**, Seoul (KR); **Ha-Young Jang**, Seoul (KR)

Kenmore Elite 5.2 cu. ft. Top-Load Washer w/Steam & Accela-Wash . . . [online] [retrieved on Apr. 9, 2015]. <URL: <http://www.kenmore.com/kenmore-elite-5.2-cu-ft-top-load-washer/p-02631623000P?prdNo=7&blockNo=7&blockType=G7>.

(73) Assignee: **SAMSUNG ELECTRONICS CO., LTD.** (KR)

(Continued)

(**) Term: **14 Years**

Primary Examiner — Susan Bennett Hattan

Assistant Examiner — Rebecca Tsehaye

(21) Appl. No.: **29/523,404**

(74) *Attorney, Agent, or Firm* — Cantor Colburn LLP

(22) Filed: **Apr. 9, 2015**

(57) **CLAIM**

The ornamental design for a washing machine, as shown and described.

(30) **Foreign Application Priority Data**

DESCRIPTION

Oct. 10, 2014 (KR) 30-2014-0048840

(51) **LOC (10) Cl.** **15-05**

(52) **U.S. Cl.**
USPC **D32/6**

(58) **Field of Classification Search**
USPC D32/1, 5, 6, 8, 29, 29.1
CPC D06F 21/00; D06F 21/06; D06F 21/08;
D06F 27/00; D06F 37/00; D06F 37/02;
D06F 37/06; D06F 37/12; D06F 37/14;
D06F 39/00

See application file for complete search history.

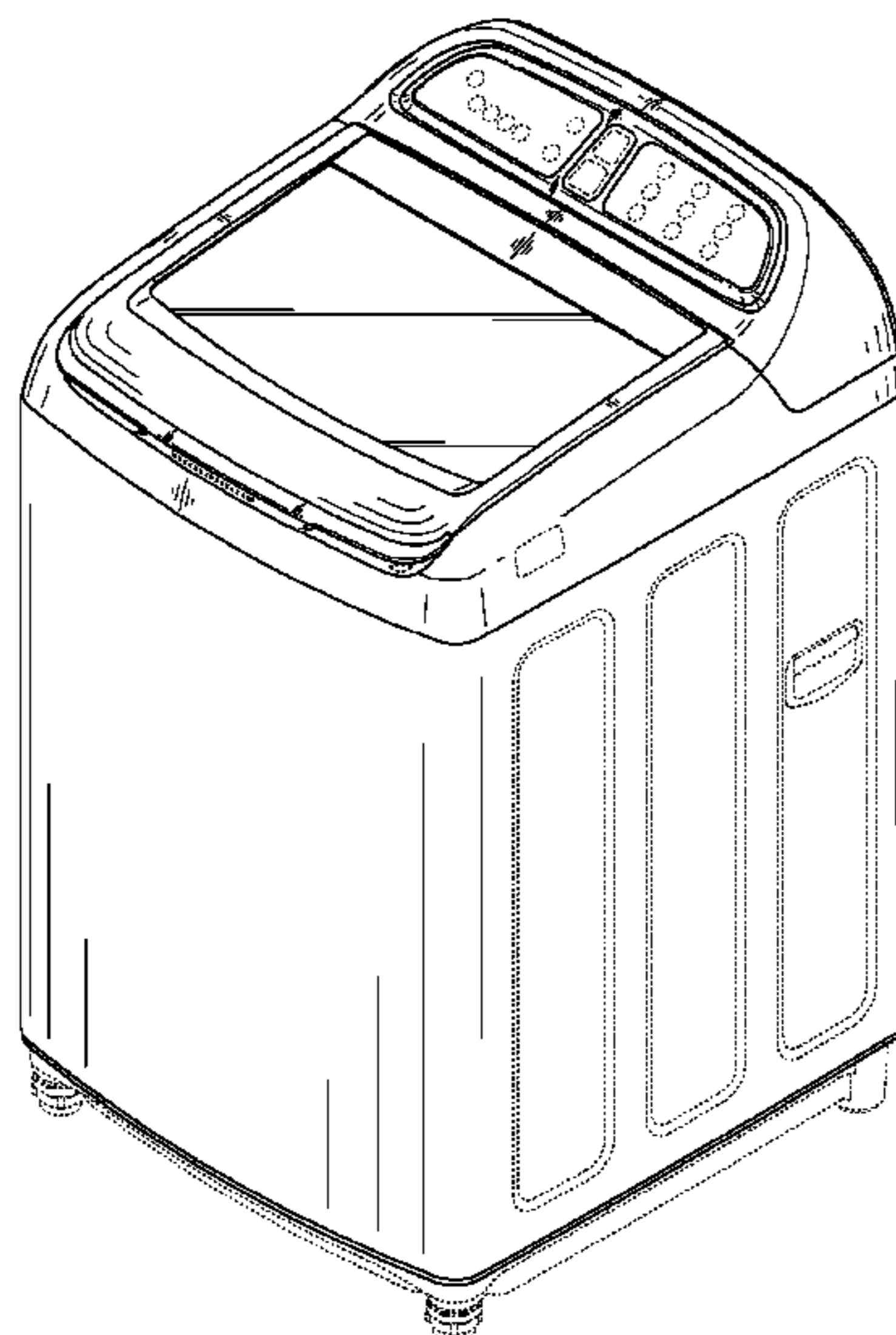
FIG. 1 is a perspective view of a washing machine, showing our new design;
FIG. 2 is a front view thereof;
FIG. 3 is a rear view thereof;
FIG. 4 is a side view thereof;
FIG. 5 is another side view thereof;
FIG. 6 is a top view thereof;
FIG. 7 is a bottom view thereof;
FIG. 8 is another perspective view thereof, as shown in an open position,
FIG. 9 is a front view of FIG. 8;
FIG. 10 is a rear view of FIG. 8;
FIG. 11 is a side view of FIG. 8;
FIG. 12 is another side view of FIG. 8;
FIG. 13 is a top view of FIG. 8; and,
FIG. 14 is a bottom view of FIG. 8.
The broken lines in the figures are for environmental purposes only and form no part of the claimed design.

(56) **References Cited**

U.S. PATENT DOCUMENTS

D538,488 S * 3/2007 Carey D32/6
D631,215 S * 1/2011 Song D32/6
D633,261 S * 2/2011 Song D32/6
D648,084 S 11/2011 Browne et al.
D679,462 S * 4/2013 Zhang D32/6
D694,965 S * 12/2013 Lee D32/6
D701,656 S * 3/2014 Choi D32/6

1 Claim, 14 Drawing Sheets



(56)

References Cited

OTHER PUBLICATIONS

Top-Loading Washing Machines recalled by LG Electronics Due to Injury Risk [online]. Clarksville Online [retrieved on Apr. 9, 2015].

<URL: <http://www.clarksvilleonline.com/2012/12/19/top-loading-washing-machines-recalled-by-lg-electronics-due-to-injury-risk/>.

* cited by examiner

FIG. 1

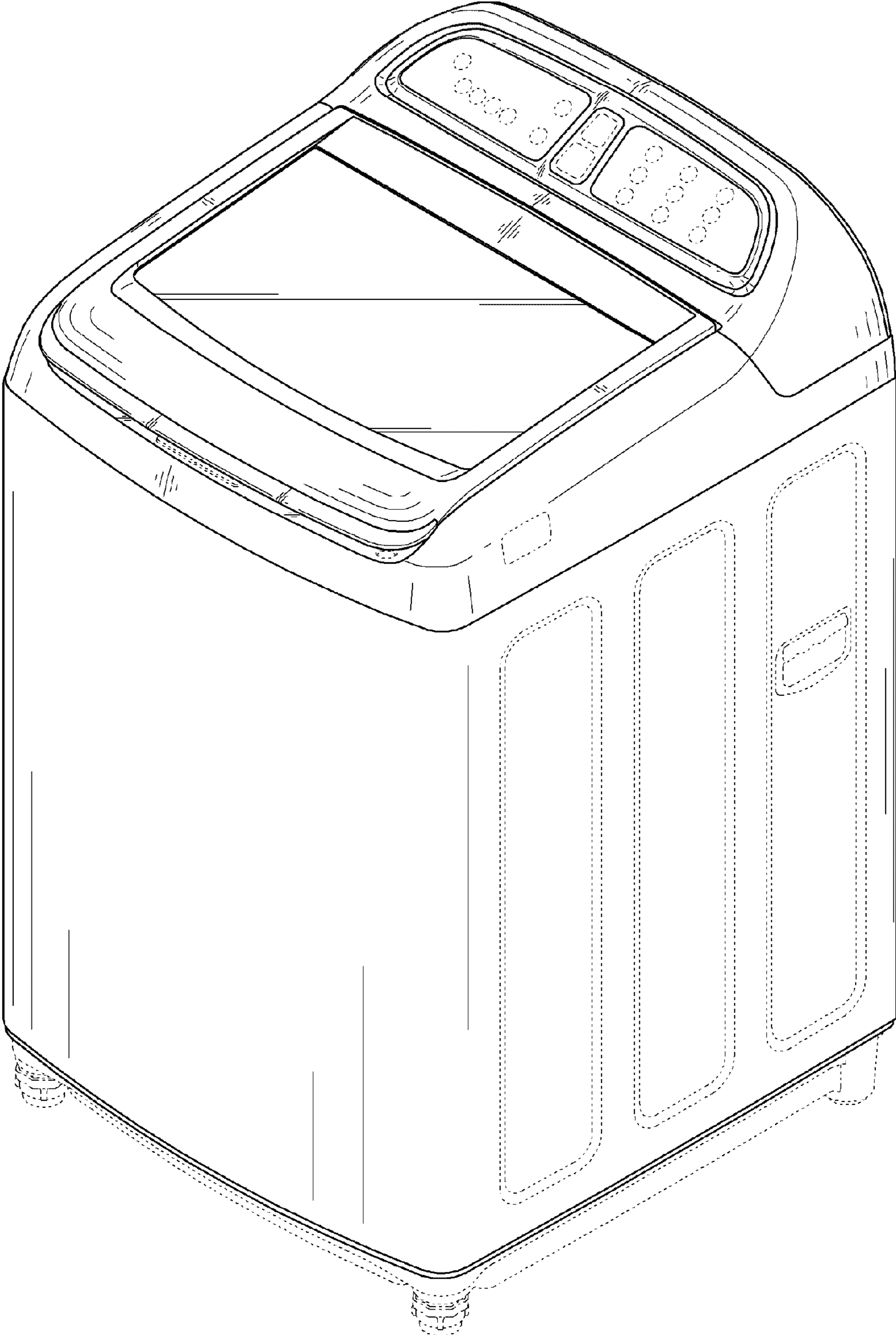


FIG. 2

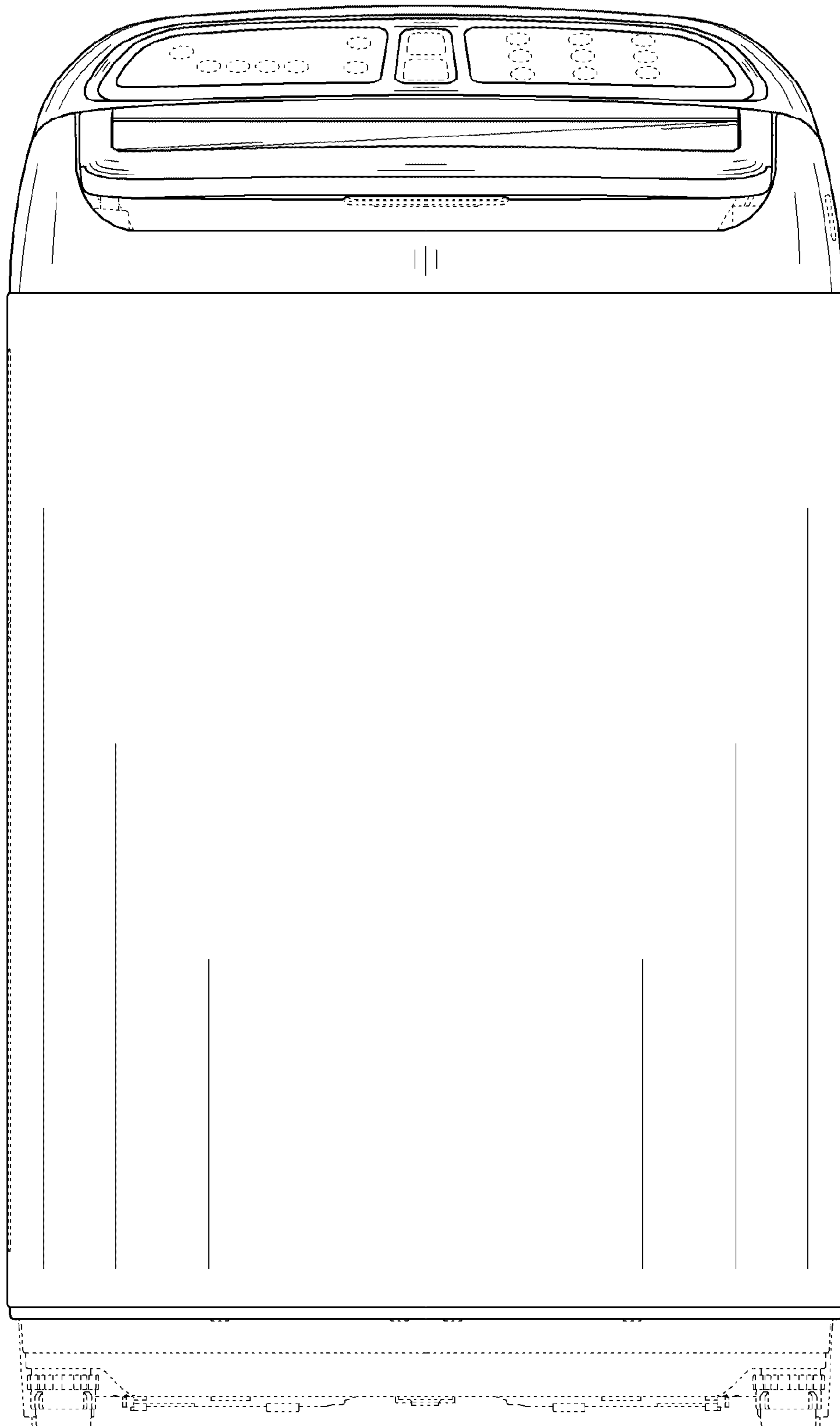


FIG. 3

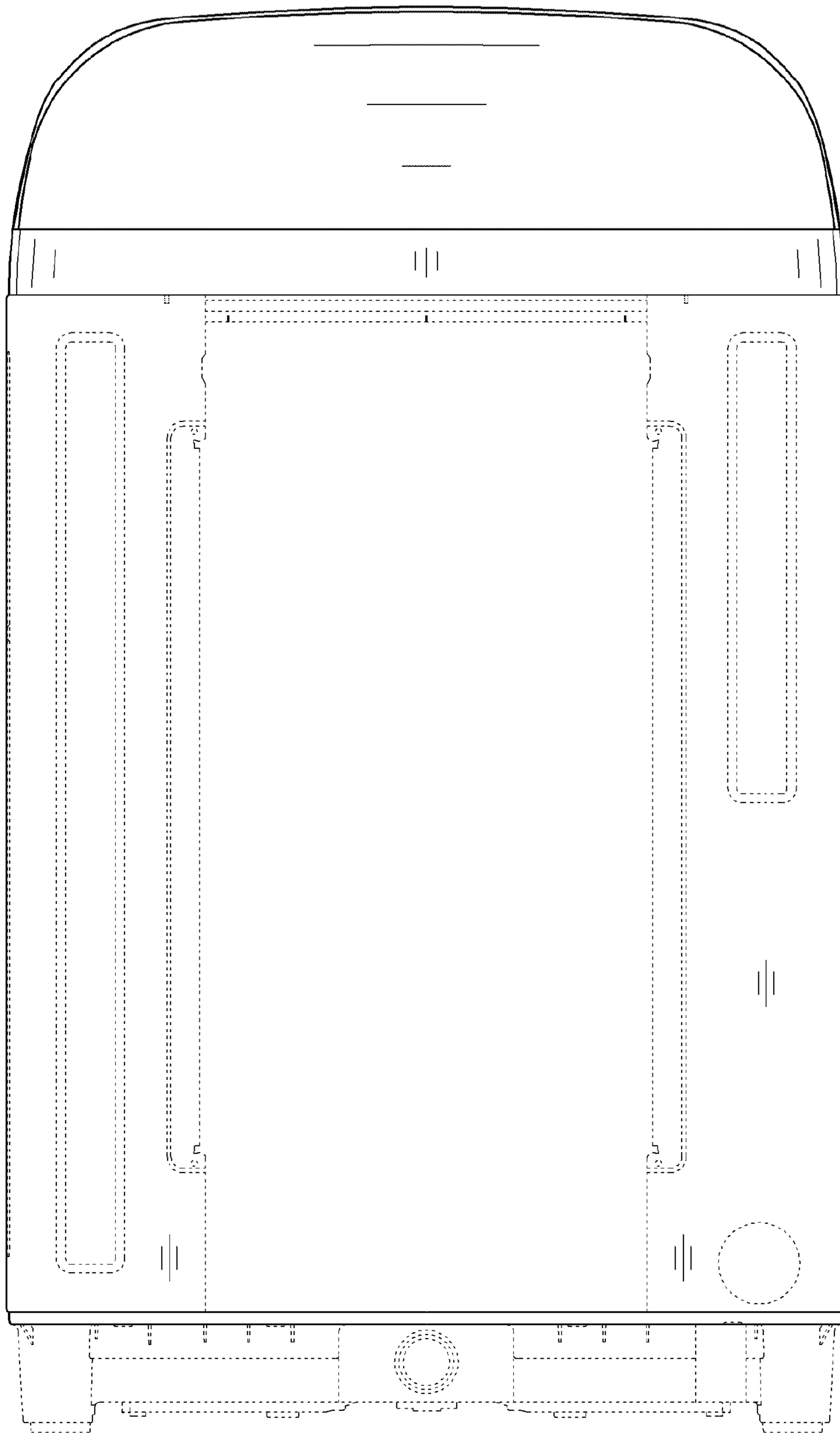


FIG. 4

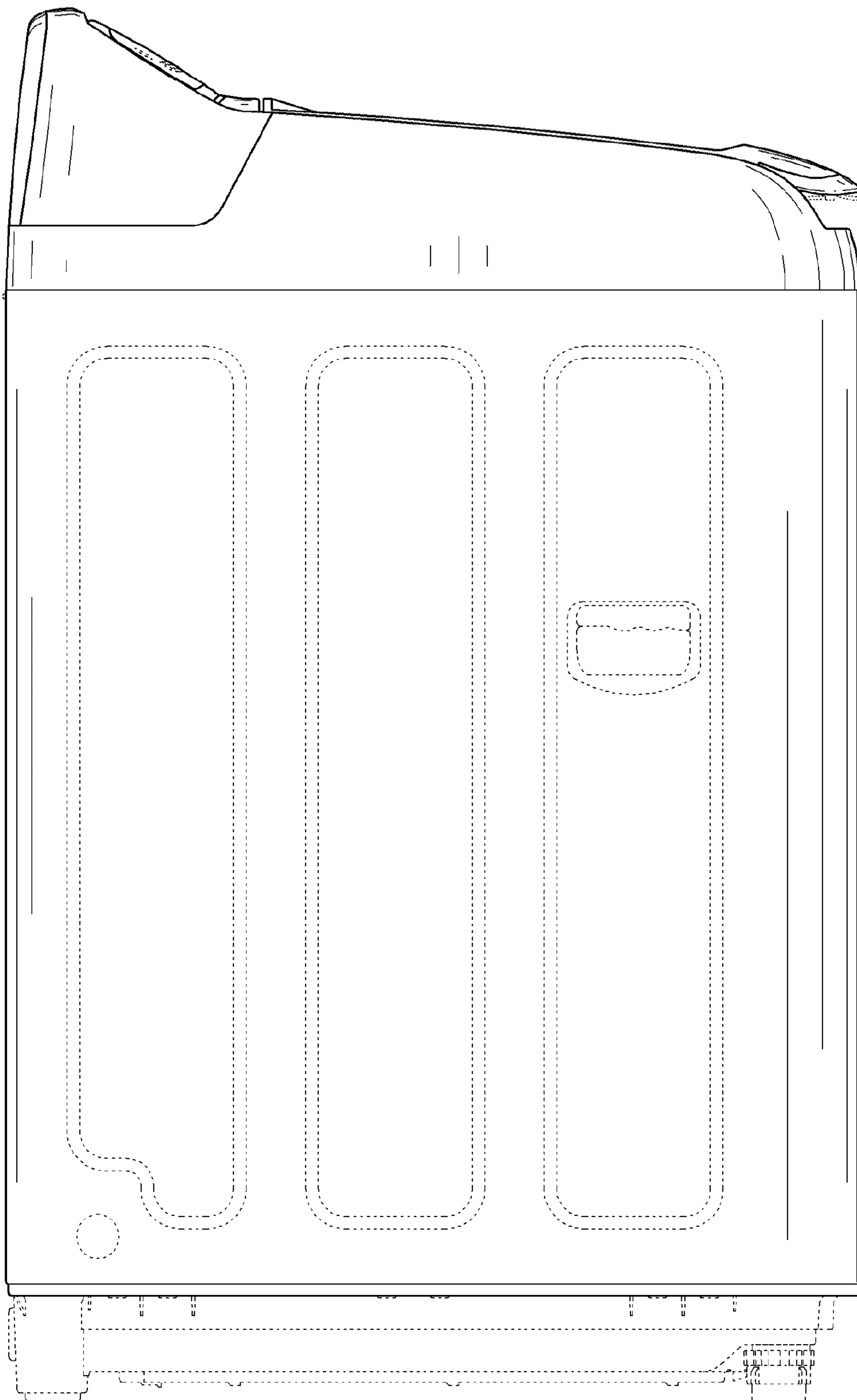


FIG. 5

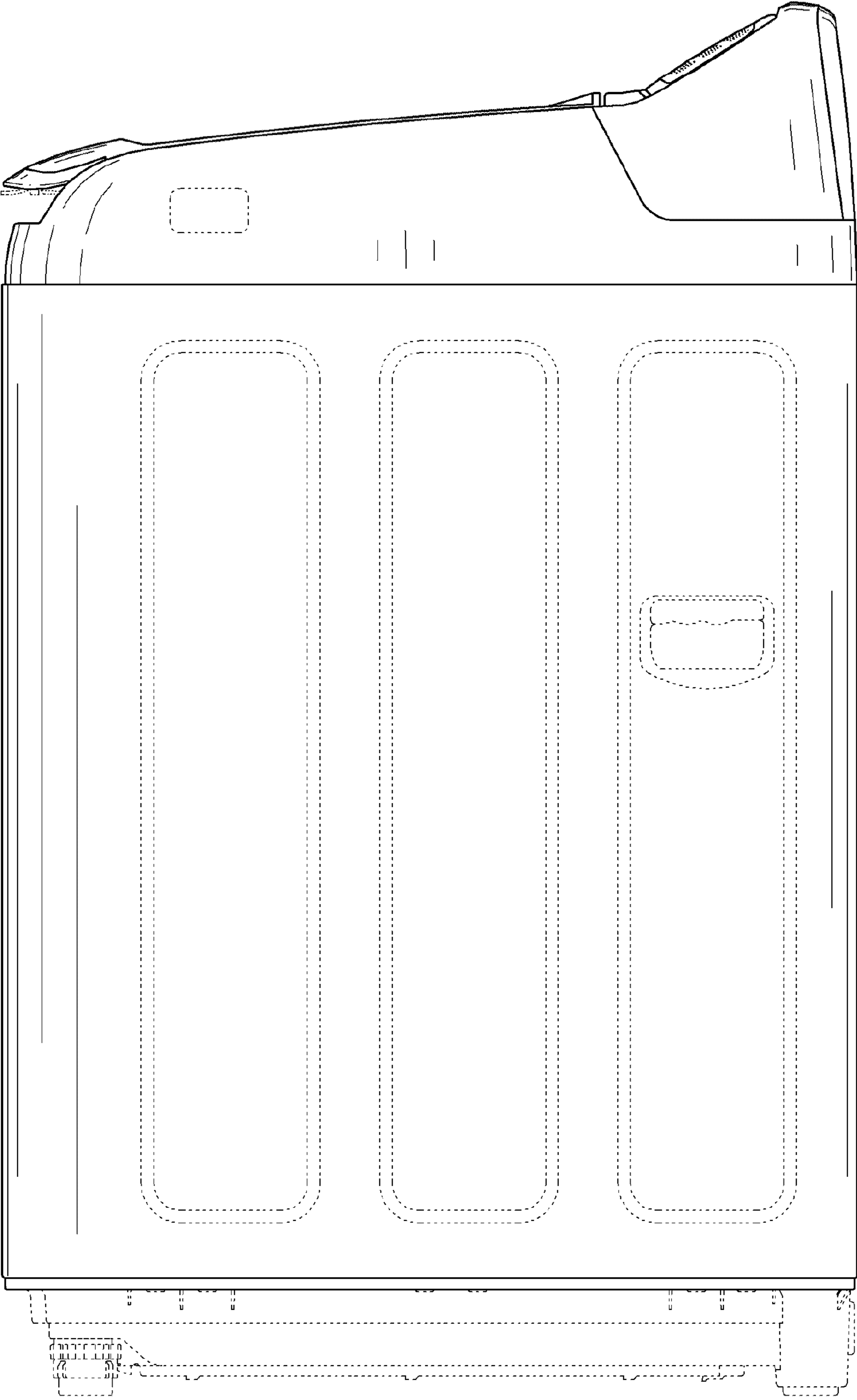


FIG. 6

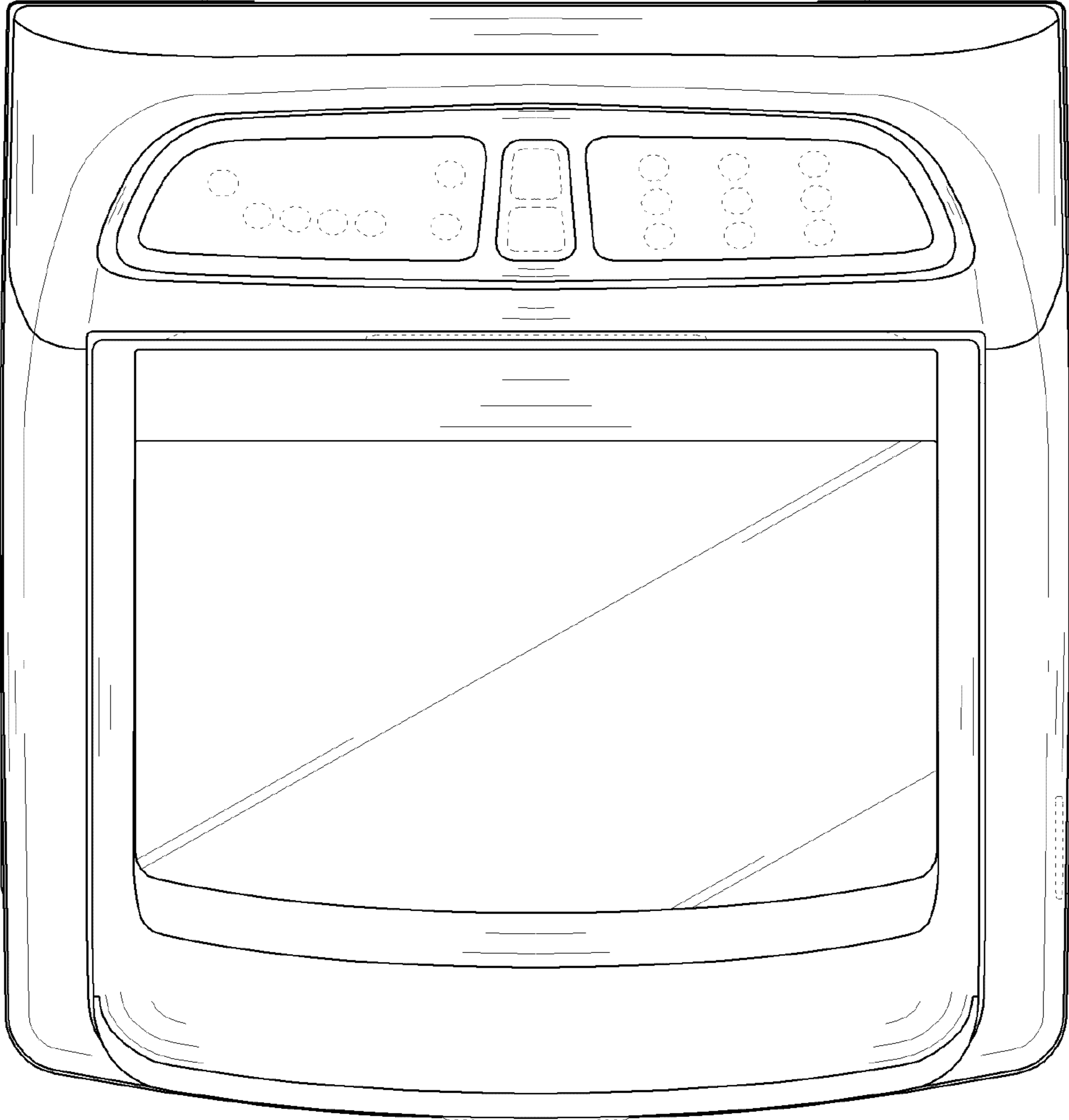


FIG. 7

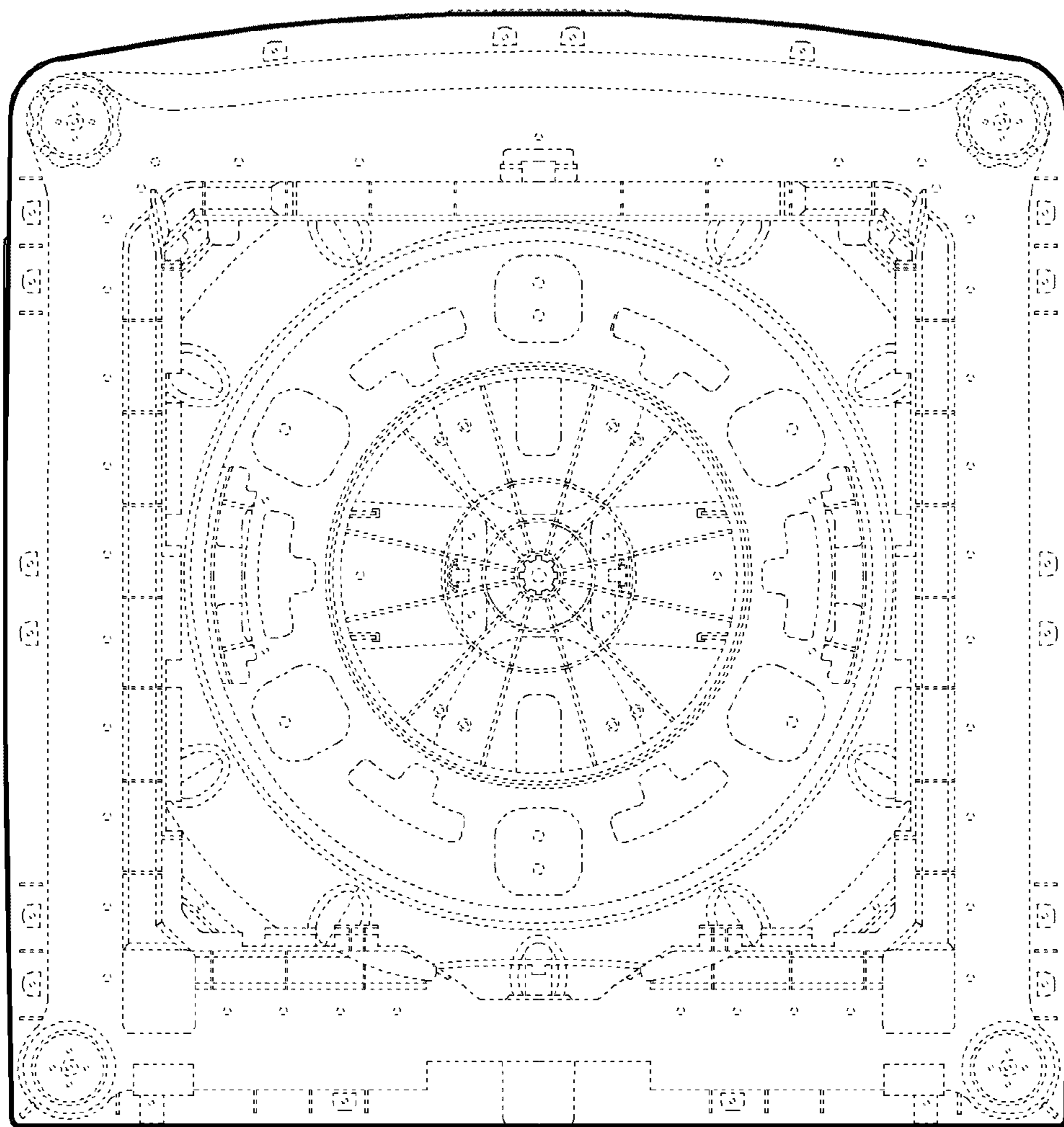


FIG. 8

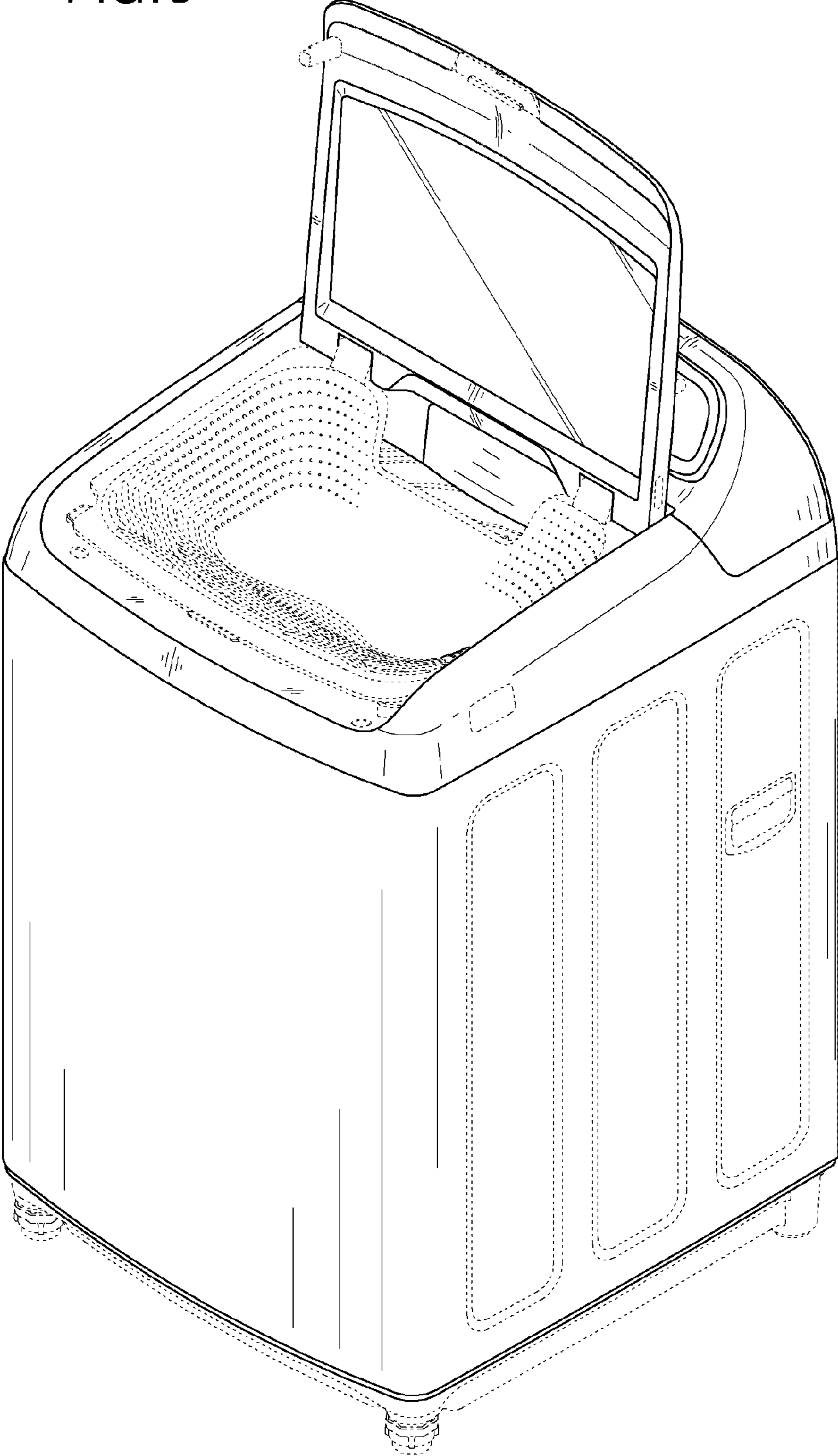


FIG. 9

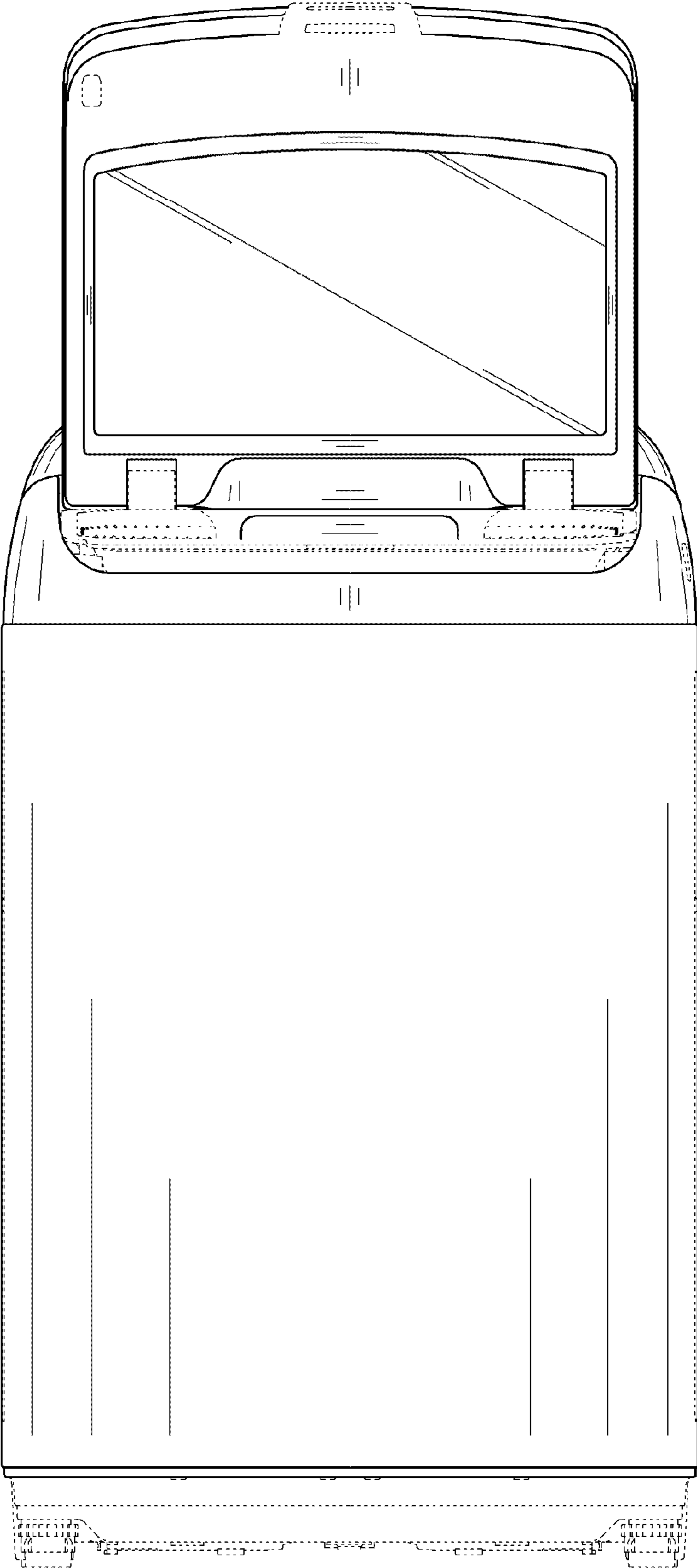


FIG.10

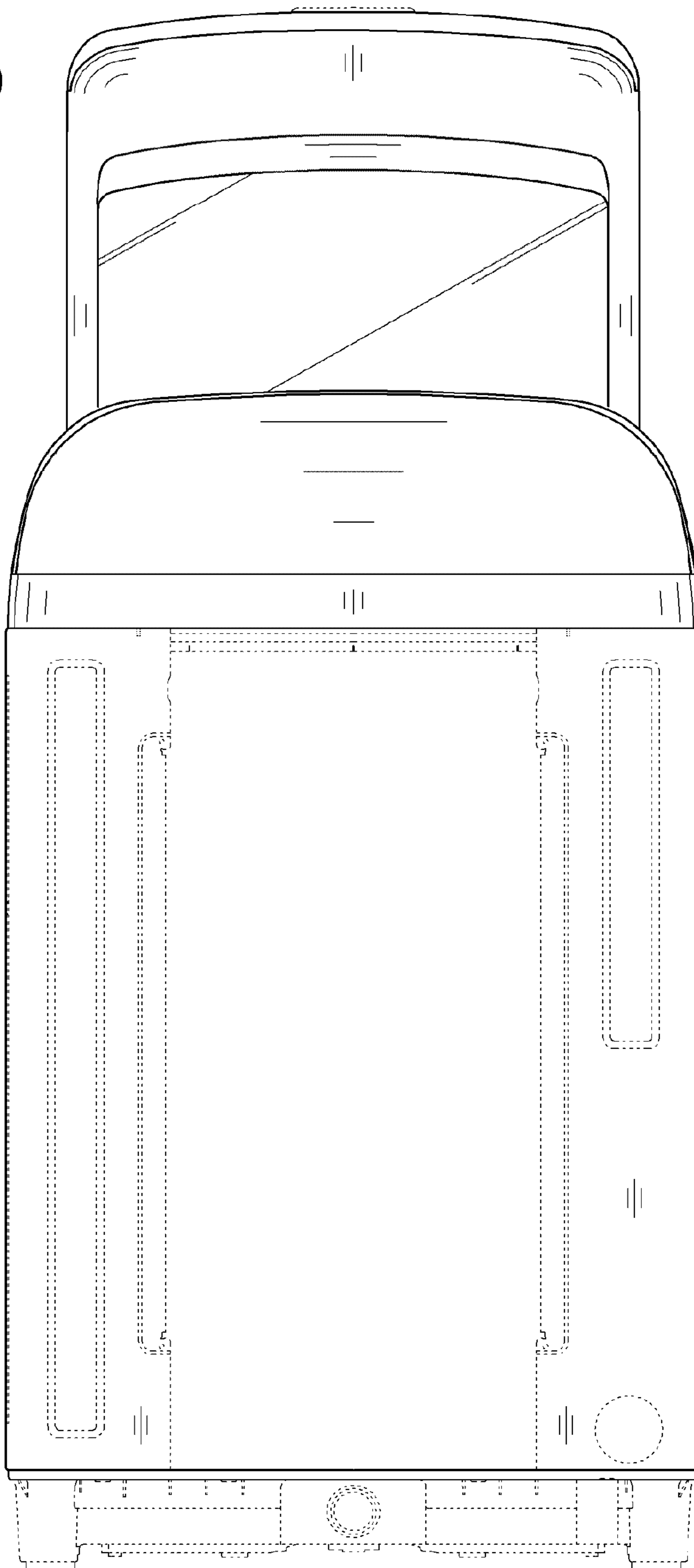


FIG.11

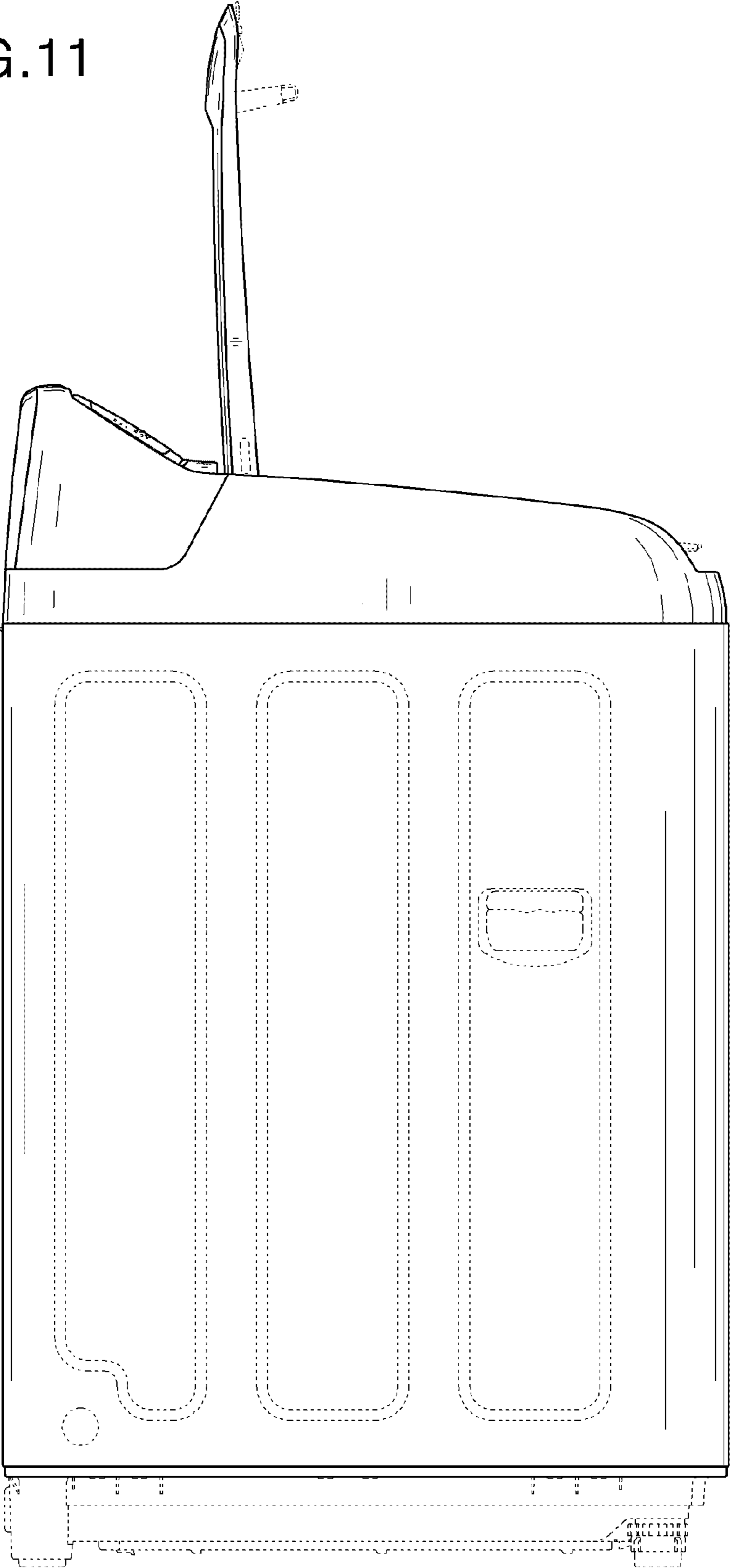


FIG. 12

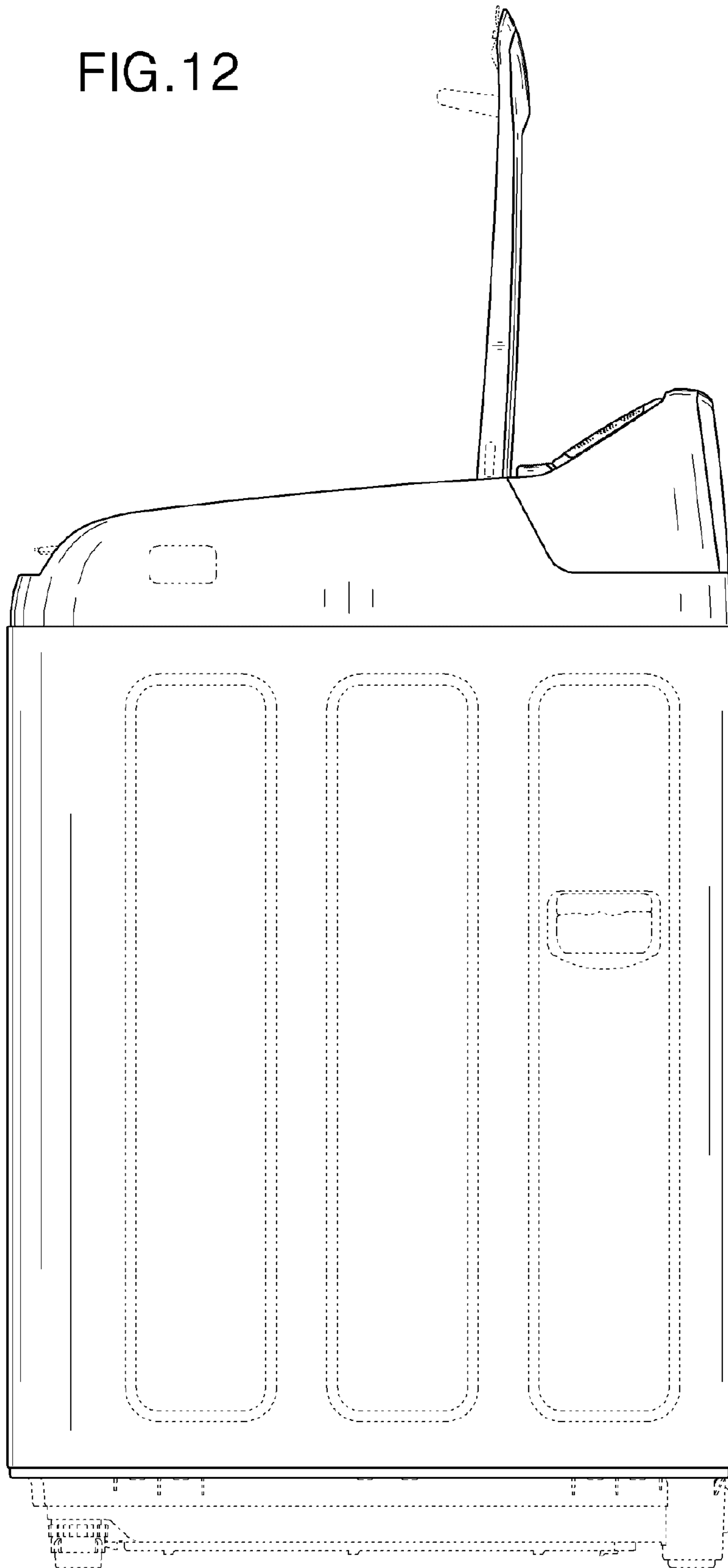


FIG. 13

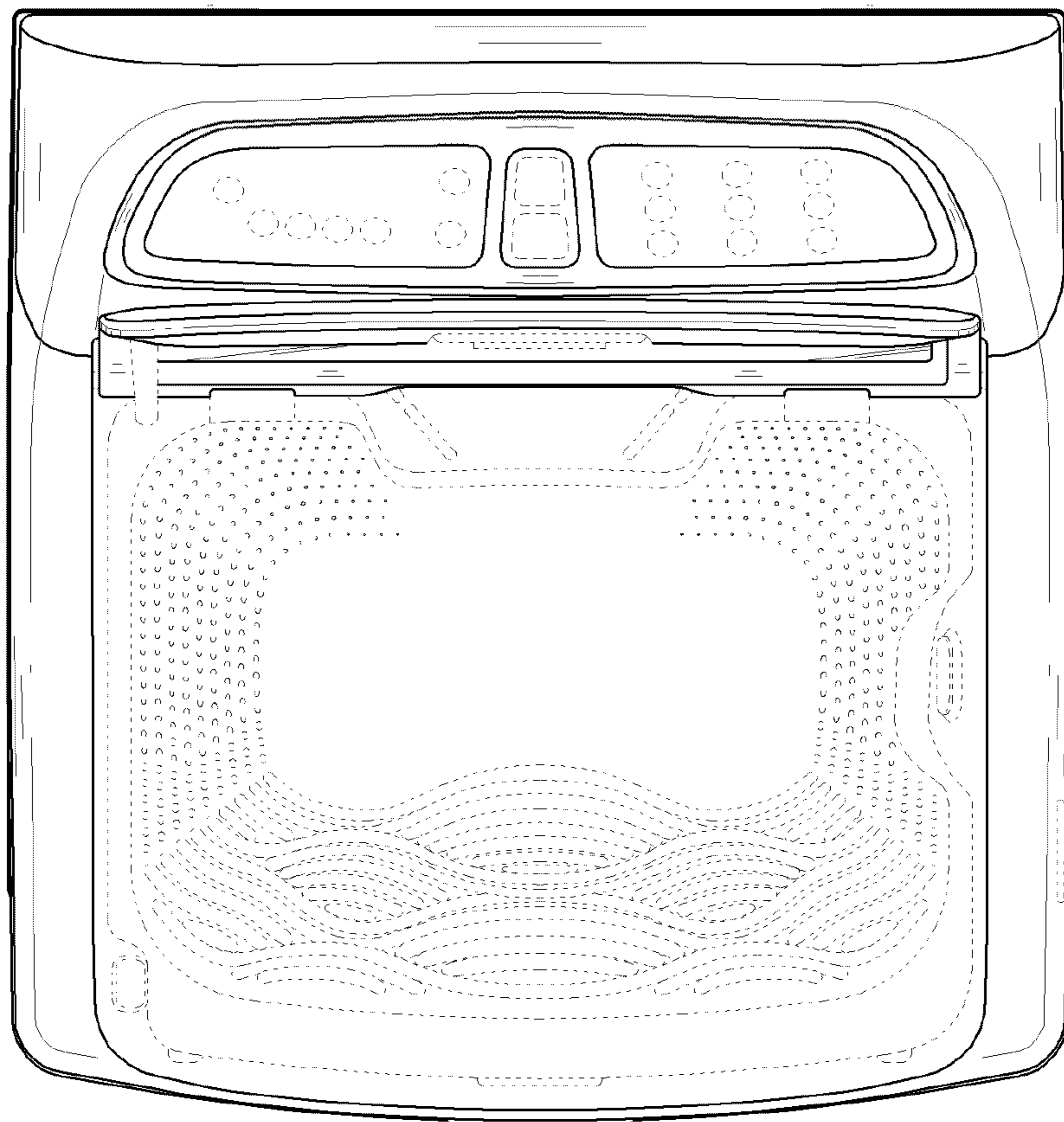


FIG. 14

