



US00D760448S

(12) **United States Design Patent**
Ceconato

(10) **Patent No.:** **US D760,448 S**
(45) **Date of Patent:** **** Jun. 28, 2016**

(54) **HARNESS FOR ANIMALS**
(71) Applicant: **Pierantonio Ceconato**, Spresiano (IT)
(72) Inventor: **Pierantonio Ceconato**, Spresiano (IT)
(73) Assignee: **Pierantonio Ceconato**, Spresiano (TV)
(IT)

(**) Term: **14 Years**
(21) Appl. No.: **29/521,476**
(22) Filed: **Mar. 24, 2015**

(30) **Foreign Application Priority Data**
Oct. 1, 2014 (EM) 002548966-003
(51) **LOC (10) Cl.** **30-04**
(52) **U.S. Cl.**
USPC **D30/152; D30/144**
(58) **Field of Classification Search**
USPC D30/144, 151, 152, 199; D3/217, 231;
D29/101.1, 101.3, 101.5; D24/190;
119/174, 702, 712, 725, 758, 769, 792,
119/802, 850, 856, 858, 863, 865, 907;
224/42.11, 241, 505, 582; 54/38.1
CPC . A01K 27/002; A01K 27/004; A01K 27/005;
A01K 27/006
See application file for complete search history.

(56) **References Cited**
U.S. PATENT DOCUMENTS
5,845,606 A * 12/1998 Hartman A01K 13/00
119/856
6,213,057 B1 * 4/2001 Franco A01K 27/002
119/793
D591,011 S * 4/2009 Madere D30/144
D632,850 S * 2/2011 Light D30/152
D652,581 S * 1/2012 Evans D30/152
D706,496 S * 6/2014 Eskenazi D30/152
D725,842 S * 3/2015 Spencer D30/152
9,038,574 B1 * 5/2015 Brewton A01K 27/002
119/858

2004/0025804 A1 * 2/2004 Smith A01K 1/0263
119/792
2013/0213319 A1 * 8/2013 Hoffman A01K 27/002
119/792
2014/0245970 A1 * 9/2014 Wilson A01K 27/002
119/864
2015/0164049 A1 * 6/2015 Lai A01K 27/003
119/792

FOREIGN PATENT DOCUMENTS

EM 000681341-0001 3/2007
EM 001083612-0001 2/2009
EM 001984964-0001 2/2012
EM 001984964-0002 2/2012
EM 001984964-0003 2/2012

(Continued)

OTHER PUBLICATIONS

“Lupine Silverado Step-in Harness”. Found online Oct. 20, 2015 at
www.petshed.com. Page dated Mar. 4, 2011. Retrieved from http://
web.archive.org/web/20110304223936/http://www.petshed.com/
item/lupine-silverado-step-in-harness.*

(Continued)

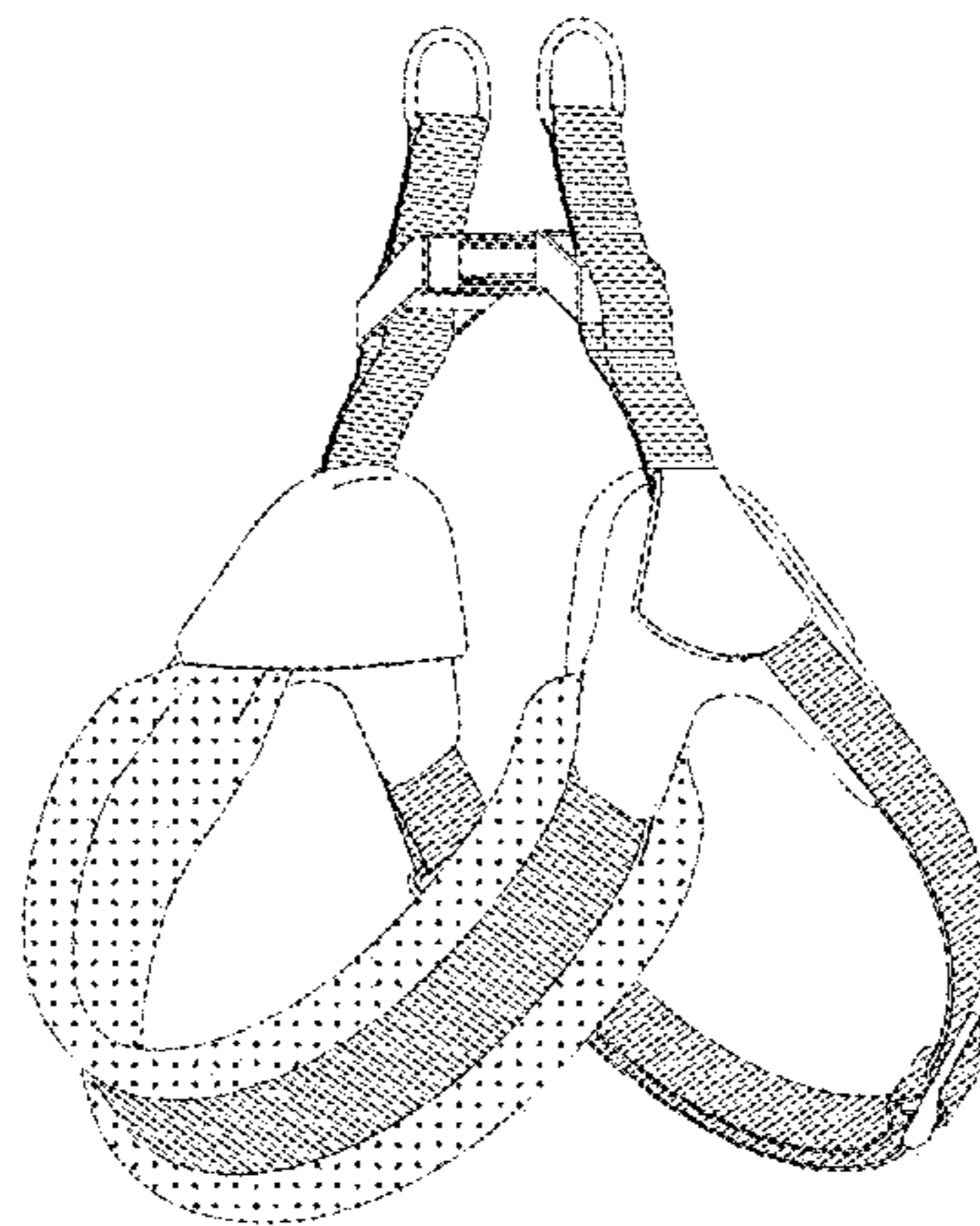
Primary Examiner — Robert M Spear
Assistant Examiner — Kendra L Hamilton
(74) *Attorney, Agent, or Firm* — Kilyk & Bowersox,
P.L.L.C.

(57) **CLAIM**
The ornamental design for a harness for animals, as shown
and described.

DESCRIPTION

FIG. 1 is a perspective, front, right-side view of a harness for
animals showing my new design;
FIG. 2 is a front view thereof;
FIG. 3 is a back view thereof;
FIG. 4 is a right-side view thereof;
FIG. 5 is a left-side view thereof;
FIG. 6 is a top view thereof; and,
FIG. 7 is a bottom view thereof.

1 Claim, 7 Drawing Sheets



(56)

References Cited

FOREIGN PATENT DOCUMENTS

EM	001984964-0004	2/2012
EM	001984964-0005	2/2012
EM	001984964-0006	2/2012
EM	001984964-0007	2/2012
EM	001984964-0008	2/2012
EM	001984964-0009	2/2012
EM	001984964-0010	2/2012
EM	001984964-0011	2/2012
EM	002024208-0001	4/2012
EM	002024208-0002	4/2012
EM	002109207-0001	9/2012
EM	002109207-0002	9/2012
EM	002109207-0003	9/2012
EM	002109207-0004	9/2012
EM	002109207-0005	9/2012
EM	002236588-0001	5/2013

EM	002548966-0001	10/2014
EM	002548966-0002	10/2014
EM	002548966-0003	10/2014

OTHER PUBLICATIONS

“‘Zack’ Velvet Dog Harness”. Found online Oct. 20, 2015 at shopmimigreen.com. Page dated Aug. 14, 2011. Retrieved from http://web.archive.org/web/20110814020136/http://www.shopmimigreen.com/designer-dog-harnesses/zack-velvet-dog-harness.*

“Grrreat Choice Comfort Wrap Step-In Dog Harness”. Found online Oct. 20, 2015 at petsmart.com. Page dated Nov. 23, 2006. Retrieved from http://www.petsmart.com/featured-shops/dog/grrreat-choice-comfort-wrap-step-in-dog-harness-zid36-8829/cat-36-catid-800753?var_id=36/8829&_t=pfm%3Dcategory%26pfmvalue%3Dfaceted.*

* cited by examiner

FIG. 1

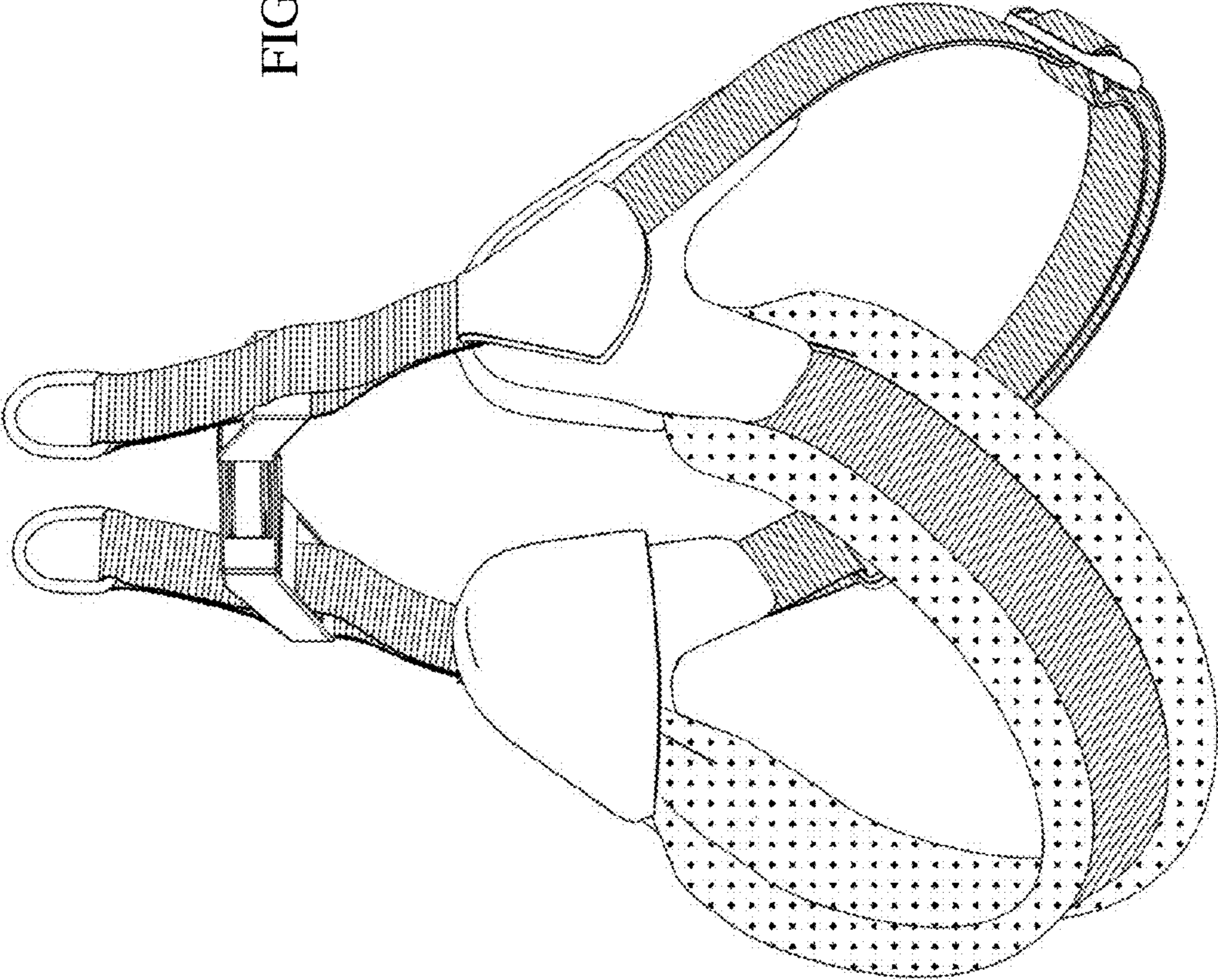


FIG. 2

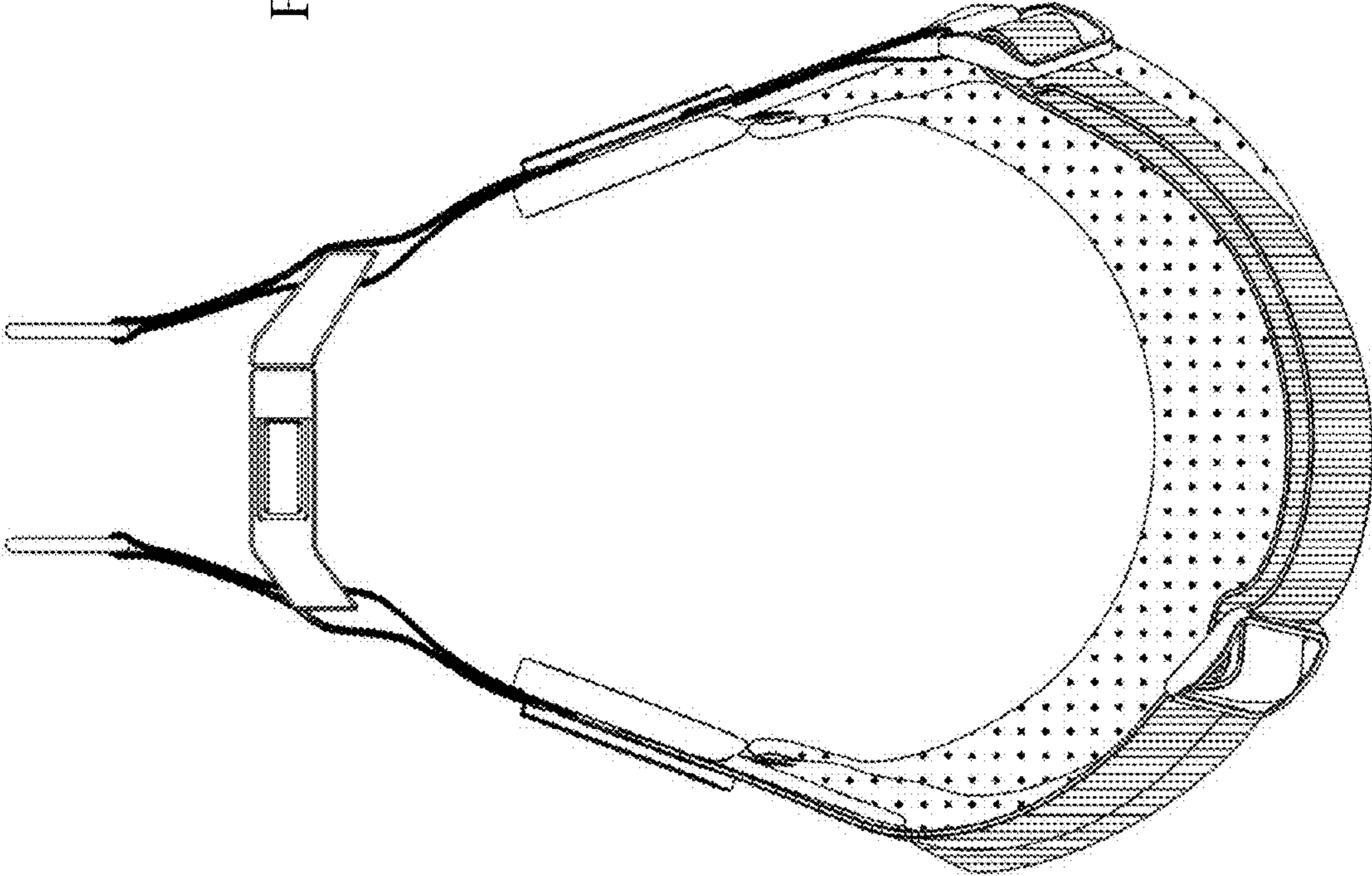


FIG. 3

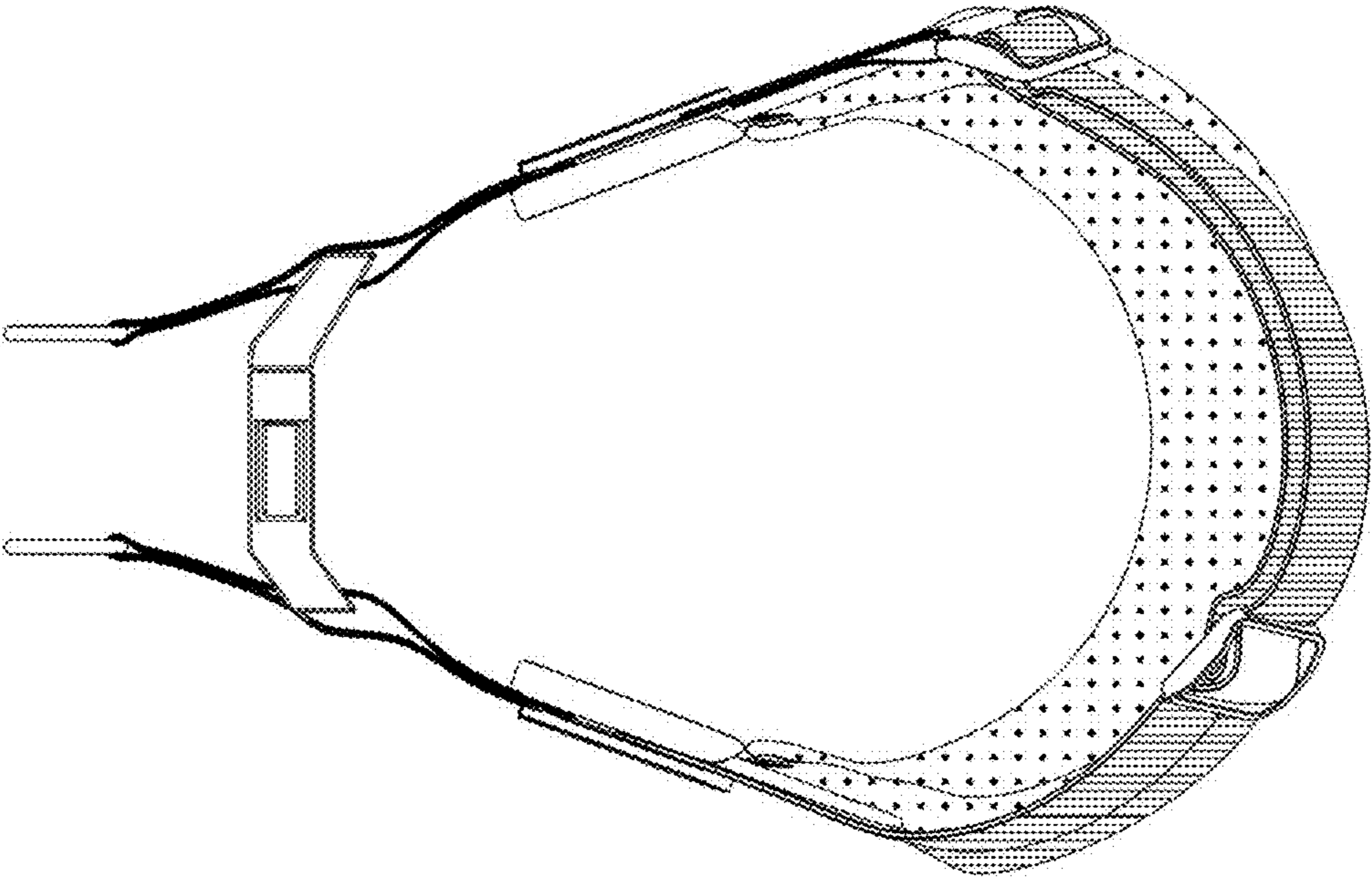


FIG. 4

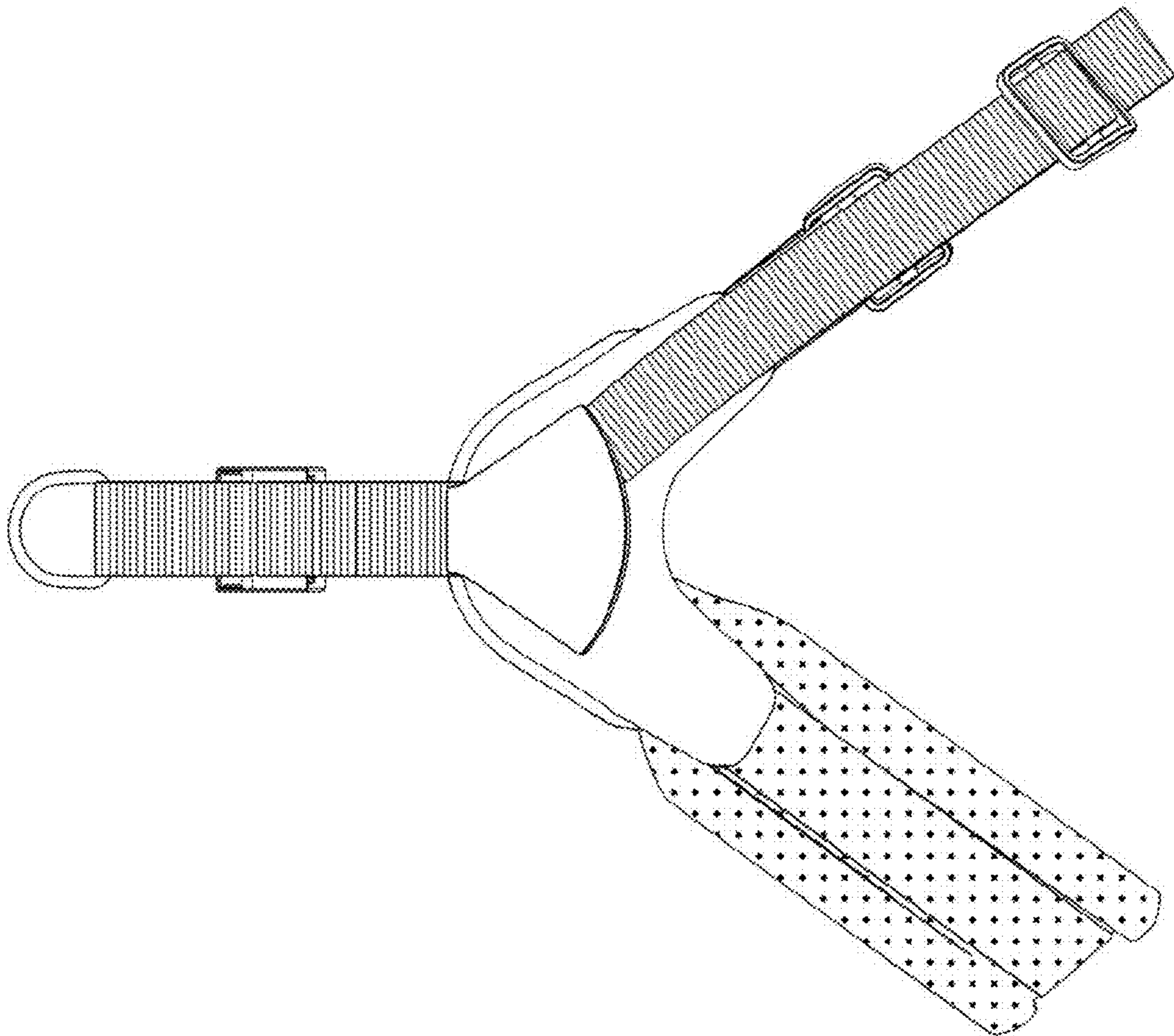


FIG. 5

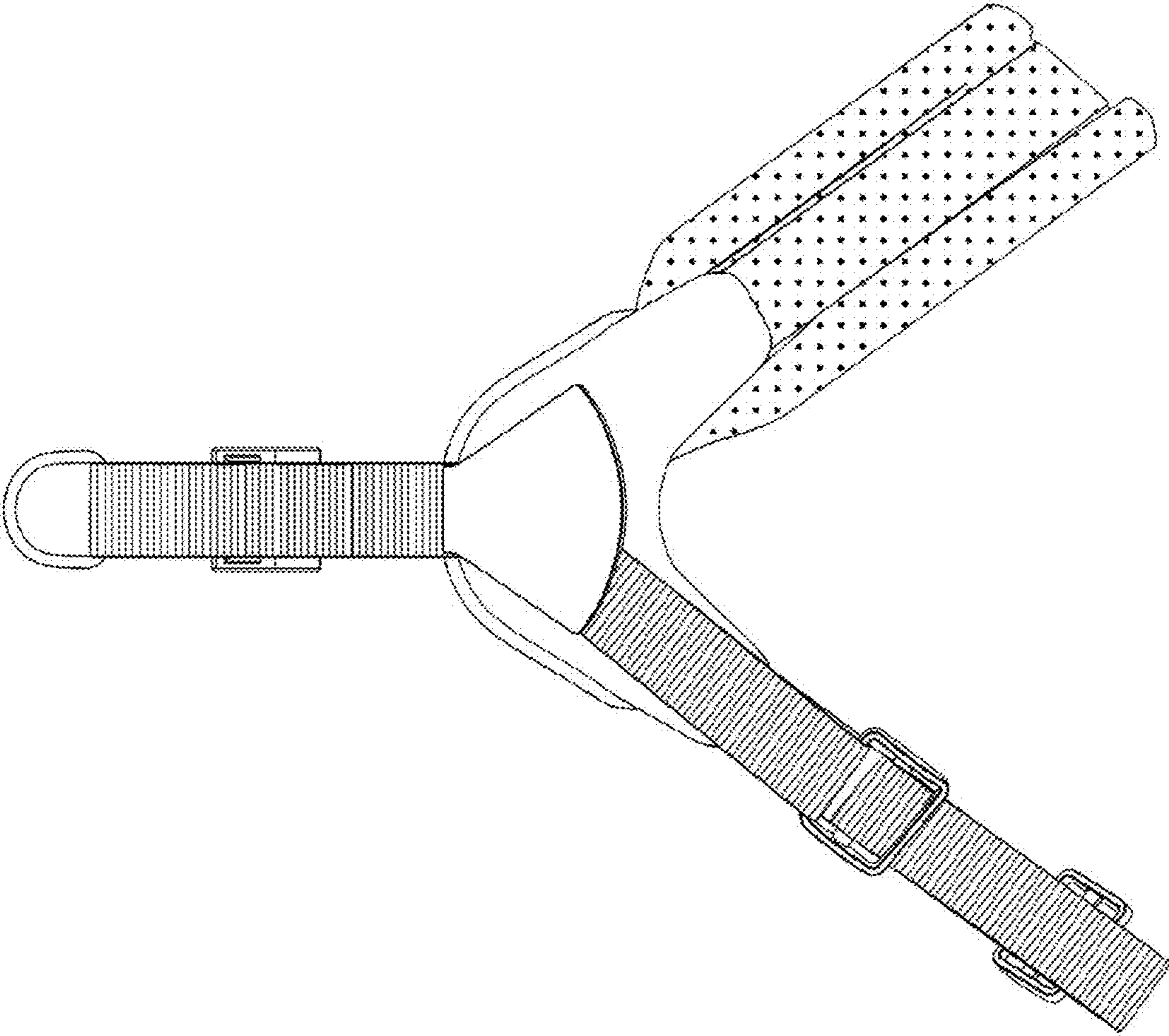
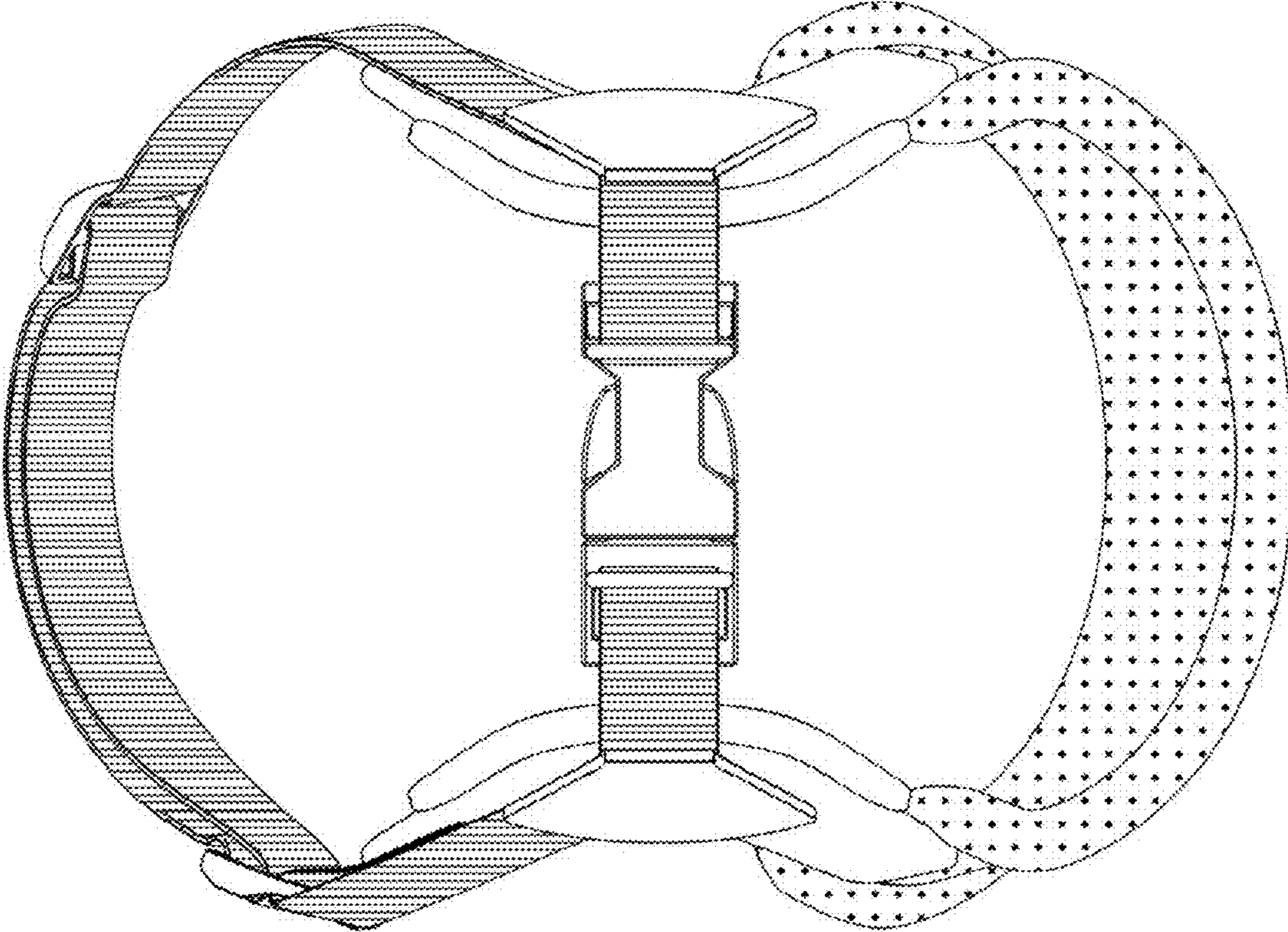


FIG. 6



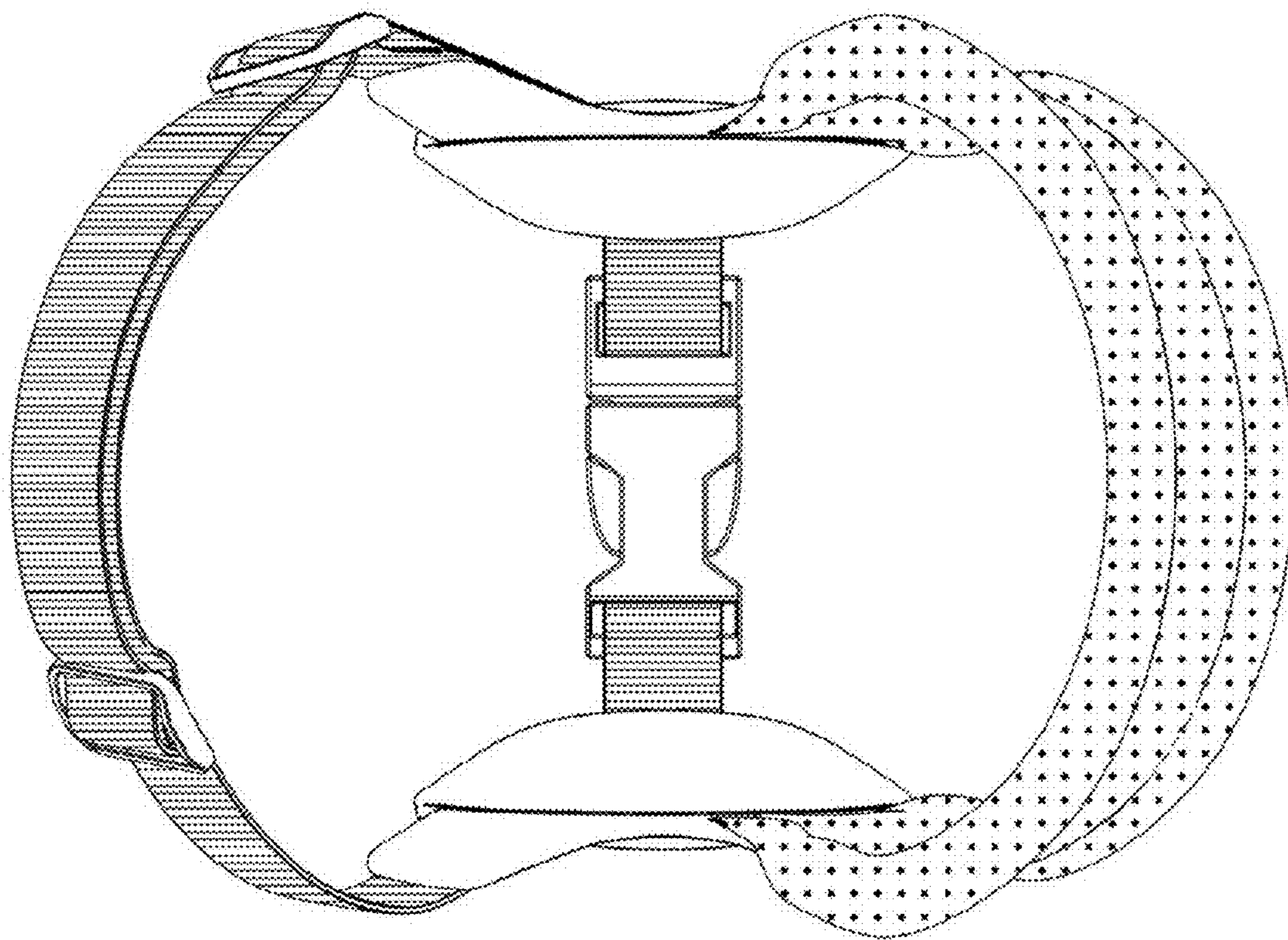


FIG. 7