

US00D760447S

(12) **United States Design Patent**
Edmonds

(10) **Patent No.:** **US D760,447 S**
(45) **Date of Patent:** **** Jun. 28, 2016**

- (54) **ANIMAL ENCLOSURE**
- (71) Applicant: **Edmonds Outdoors, LLC**, Brentwood, TN (US)
- (72) Inventor: **Addison Edmonds**, Franklin, TN (US)
- (73) Assignee: **Edmonds Outdoors, LLC**, Brentwood, TN (US)
- (**) Term: **14 Years**
- (21) Appl. No.: **29/492,682**
- (22) Filed: **Jun. 2, 2014**
- (51) **LOC (10) Cl.** **30-02**
- (52) **U.S. Cl.**
USPC **D30/109**
- (58) **Field of Classification Search**
USPC D30/108–109, 112–117, 119;
119/428–429, 430–436, 445, 452–453,
119/455, 459, 467, 472, 474–475, 481–482,
119/484, 485, 496–503, 512
CPC A01K 1/00; A01K 1/01; A01K 1/02;
A01K 1/03; A01K 31/00; A01K 31/06;
A01K 31/07; A01K 31/08; A01K 31/14;
A01K 31/18; A01K 5/00; A01K 29/00;
A47K 11/02; E04H 1/02
See application file for complete search history.

(56) **References Cited**

U.S. PATENT DOCUMENTS

- 4,852,520 A * 8/1989 Goetz A01K 1/0245
119/497
- D312,333 S * 11/1990 Van Skiver D30/109
- 5,154,137 A * 10/1992 Stanaland A01K 1/033
119/482
- 5,357,900 A * 10/1994 Ho A01K 1/0245
119/479
- 5,669,331 A * 9/1997 Richmond A01K 1/0245
119/497
- ,345,591 B1 * 2/2002 Richmond A01K 1/0245
119/497

- D545,507 S * 6/2007 Harper D30/108
- D546,005 S * 7/2007 Harper D30/108
- D551,399 S * 9/2007 Harper D30/108
- D555,292 S * 11/2007 Harper D30/108
- D574,559 S * 8/2008 You D30/109
- D615,251 S * 5/2010 Scherbing D30/109
- D671,691 S * 11/2012 Neilan D30/108
- 8,336,500 B1 * 12/2012 Britt A01K 1/00
119/472

(Continued)

Primary Examiner — Cathy Anne MacCormac

(74) *Attorney, Agent, or Firm* — Waller Lansden Dortch & Davis, LLP; Matthew C. Cox

(57) **CLAIM**

What is claimed is the ornamental design for an animal enclosure, as shown and described.

DESCRIPTION

FIG. 1 is a right side perspective view showing the animal enclosure of Applicant's invention.

FIG. 2 is a left side perspective view of the animal enclosure of Applicant's invention.

FIG. 3 is a bottom perspective view of the animal enclosure of Applicant's invention.

FIG. 4 is a front elevation view of the animal enclosure of Applicant's invention.

FIG. 5 is a back elevation view of the animal enclosure of Applicant's invention.

FIG. 6 is a left side elevation view of the animal enclosure of Applicant's invention.

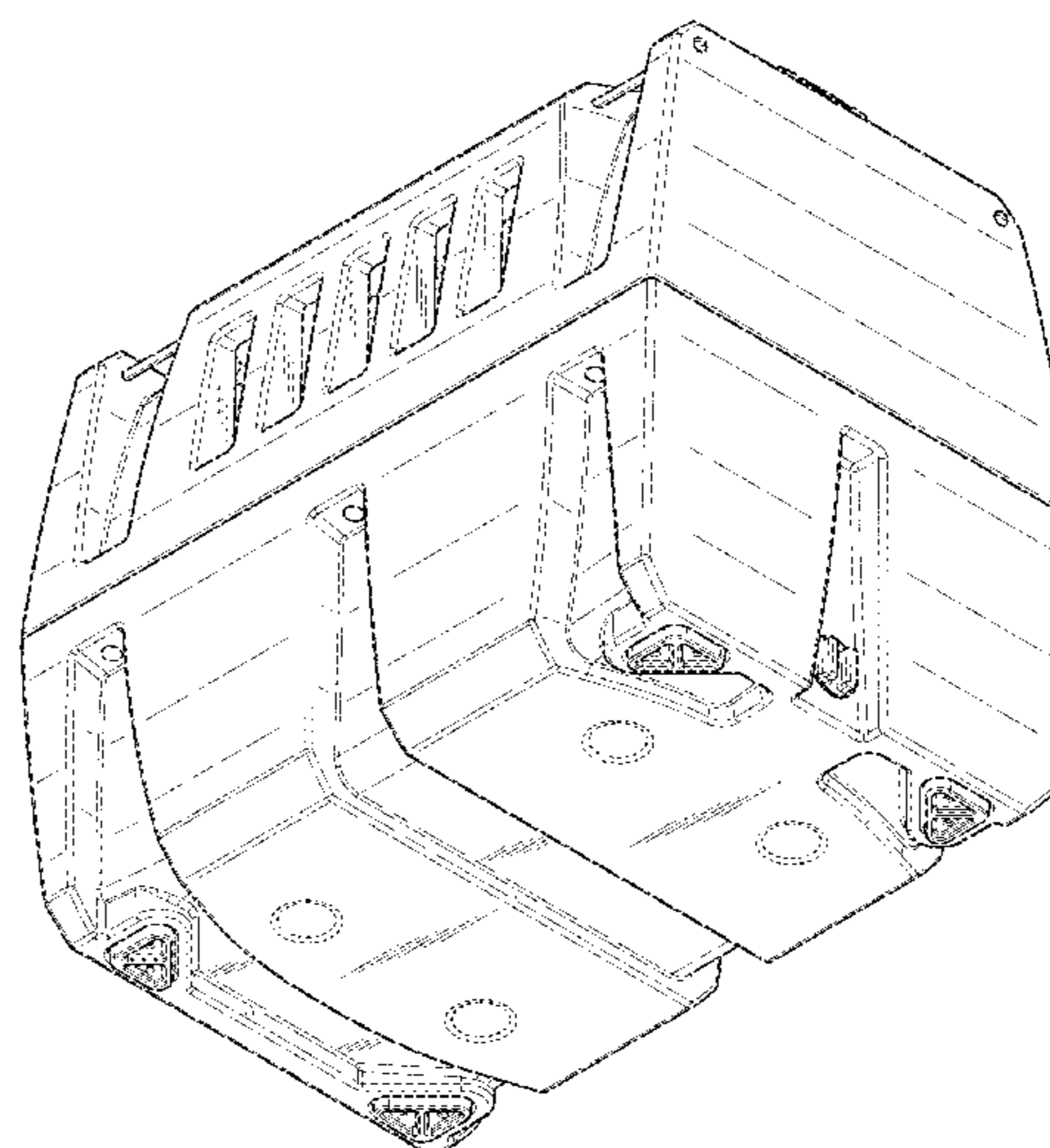
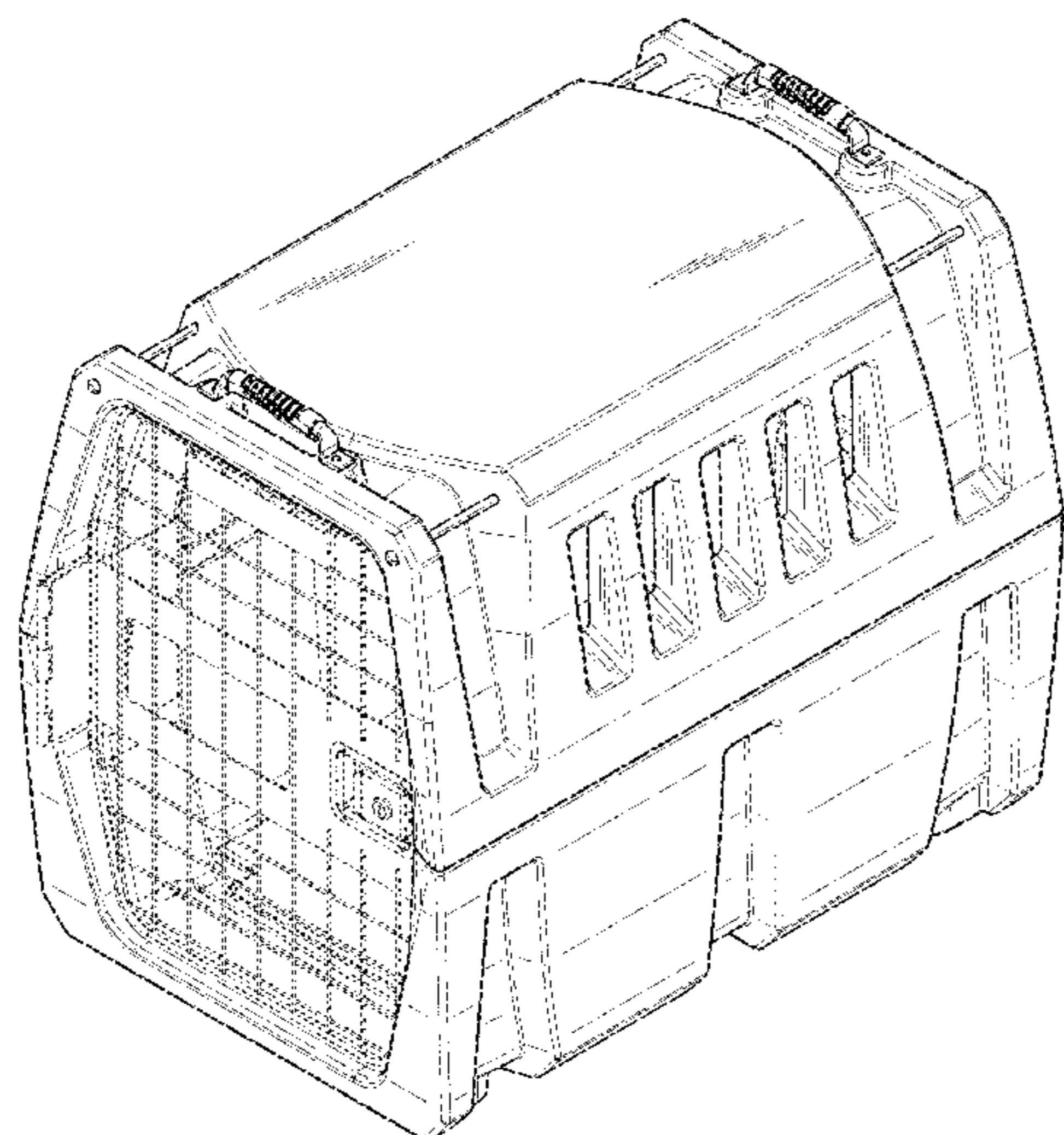
FIG. 7 is a right side elevation view of the animal enclosure of Applicant's invention.

FIG. 8 is a top view of the animal enclosure of Applicant's invention; and,

FIG. 9 is a bottom view of the animal enclosure of Applicant's invention.

The broken lines in the Figures depict environmental subject matter and form no part of the claimed design.

1 Claim, 9 Drawing Sheets



US D760,447 S

Page 2

(56)

References Cited

U.S. PATENT DOCUMENTS

8,413,472 B2 *	4/2013	Chiang	E05G 1/024	2015/0034018 A1	2/2015	Edmonds	D703,876 S *	4/2014	Chance	D30/108
				119/497				D717,005 S *	11/2014	Skaggs	D30/108
8,544,417 B2	10/2013	Sangl et al.						2010/0192870 A1 *	8/2010	Wood	A01K 1/0245
												119/496

* cited by examiner

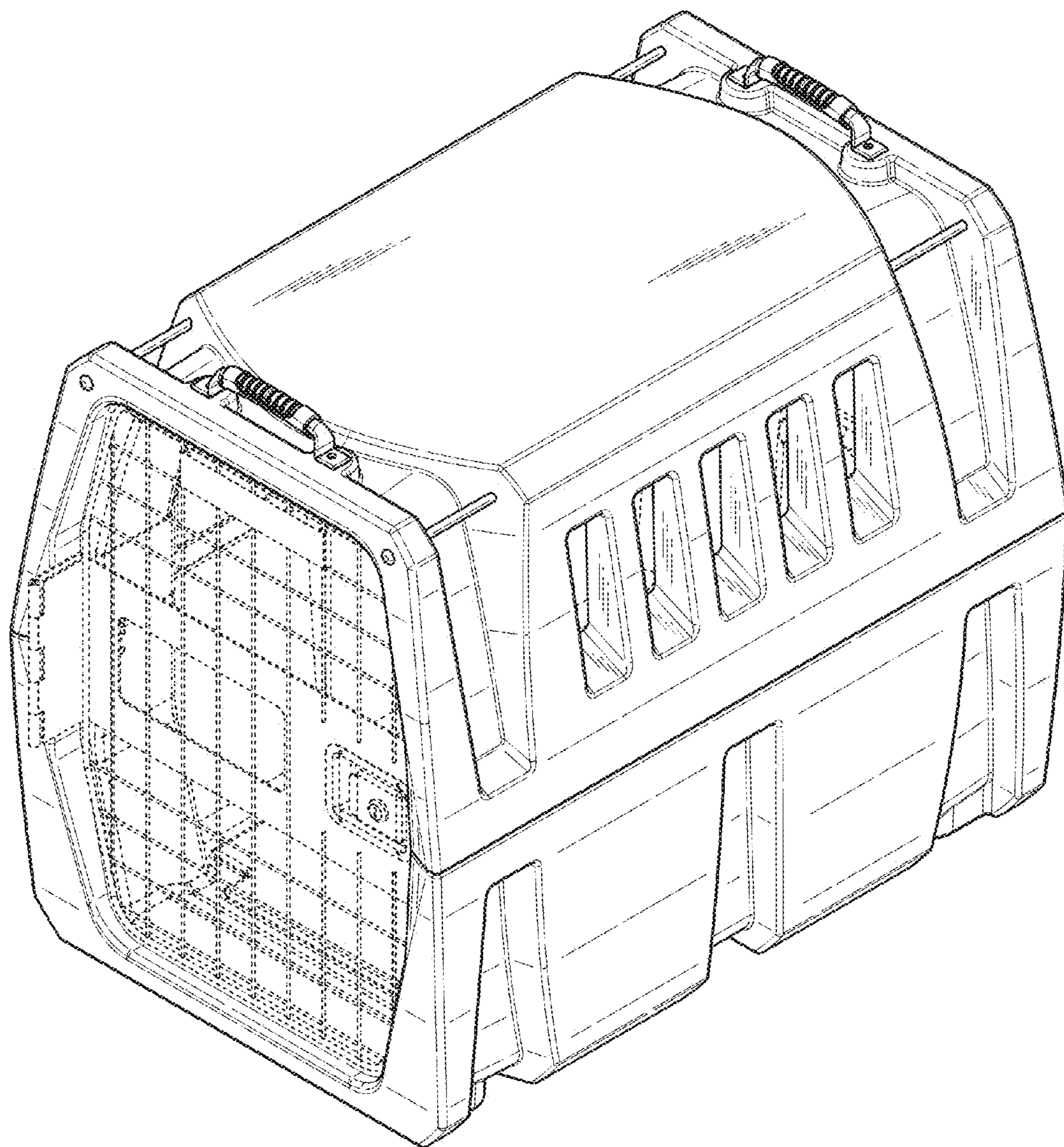


FIG. 1

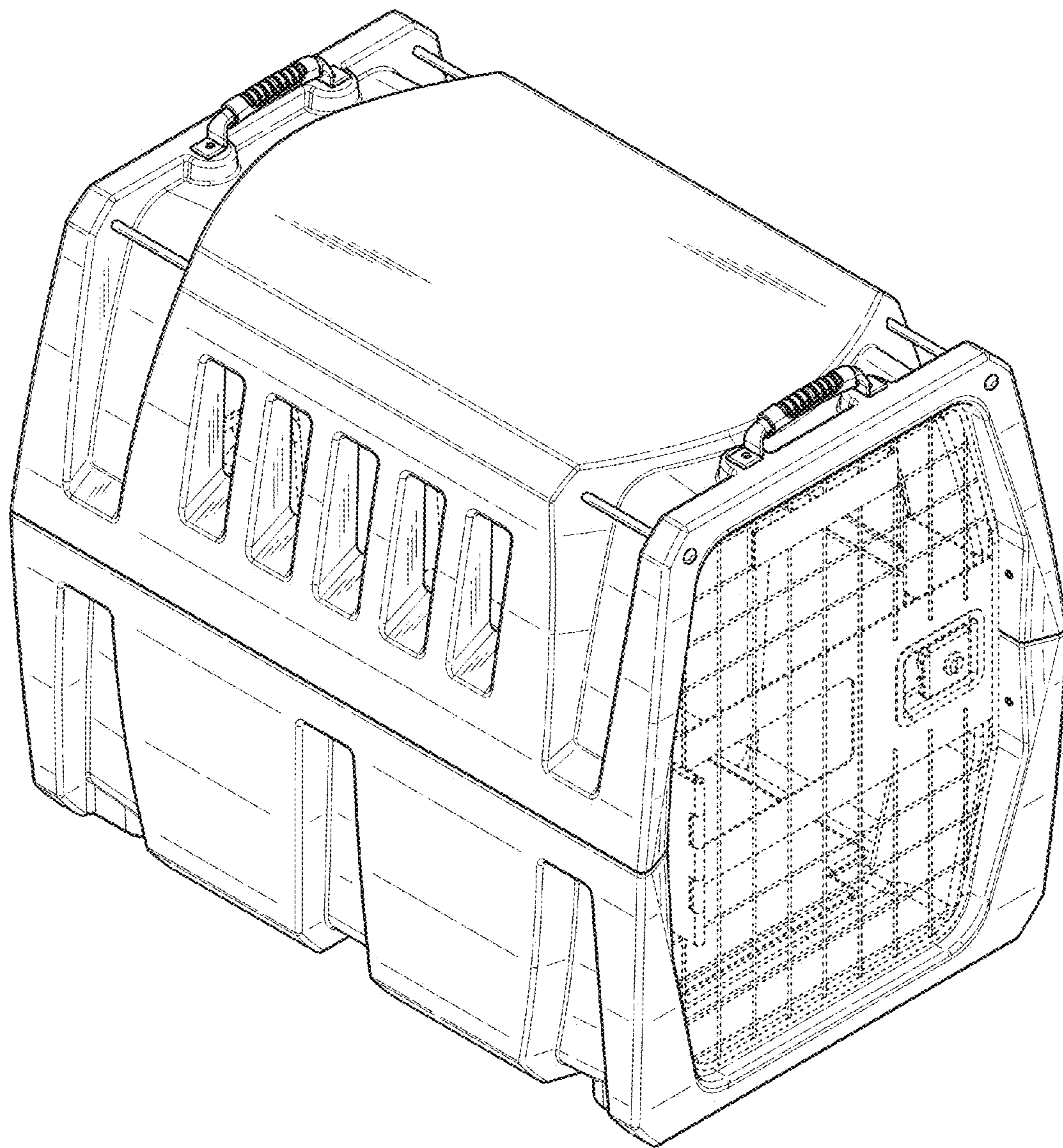


FIG. 2

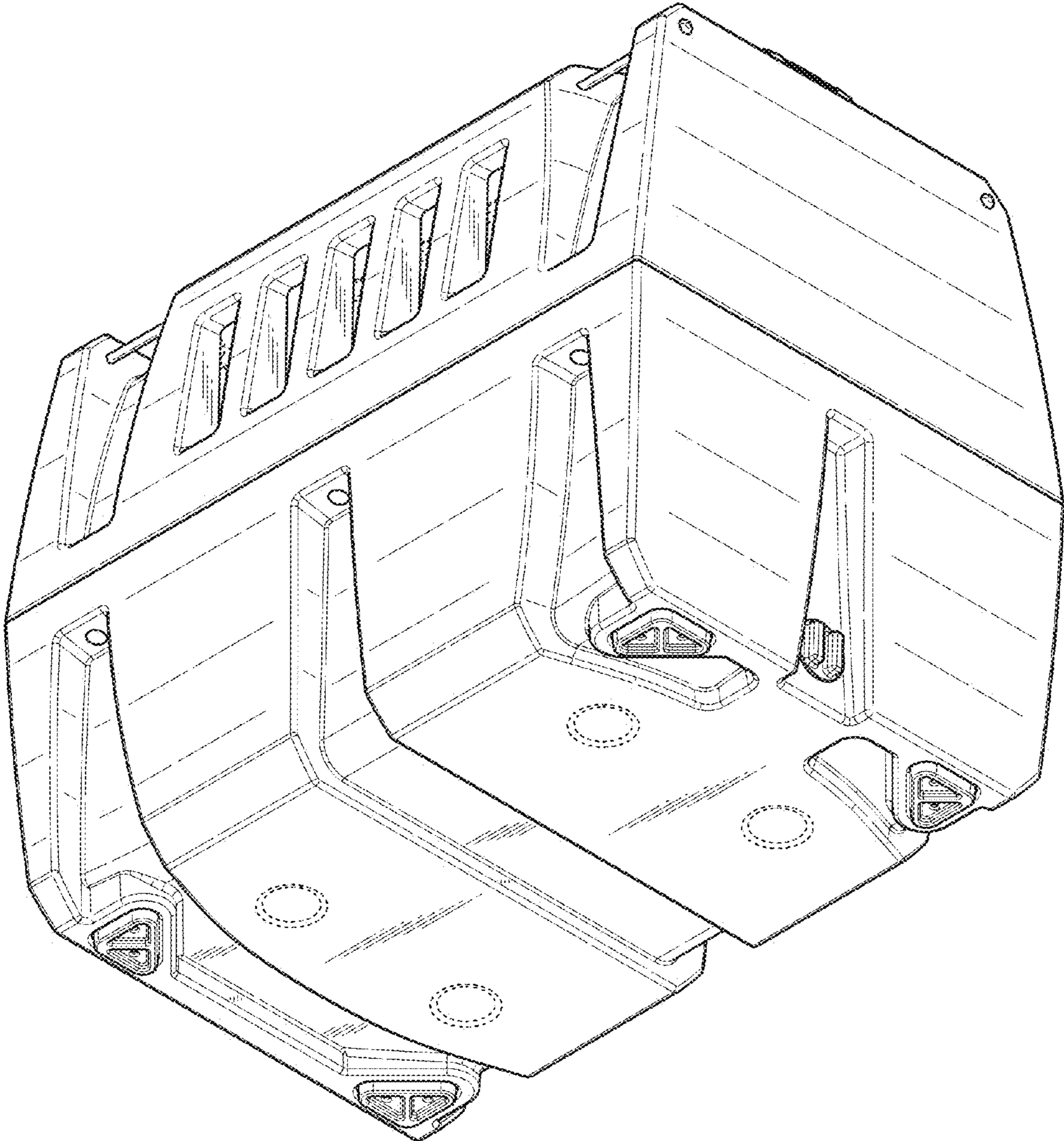


FIG. 3

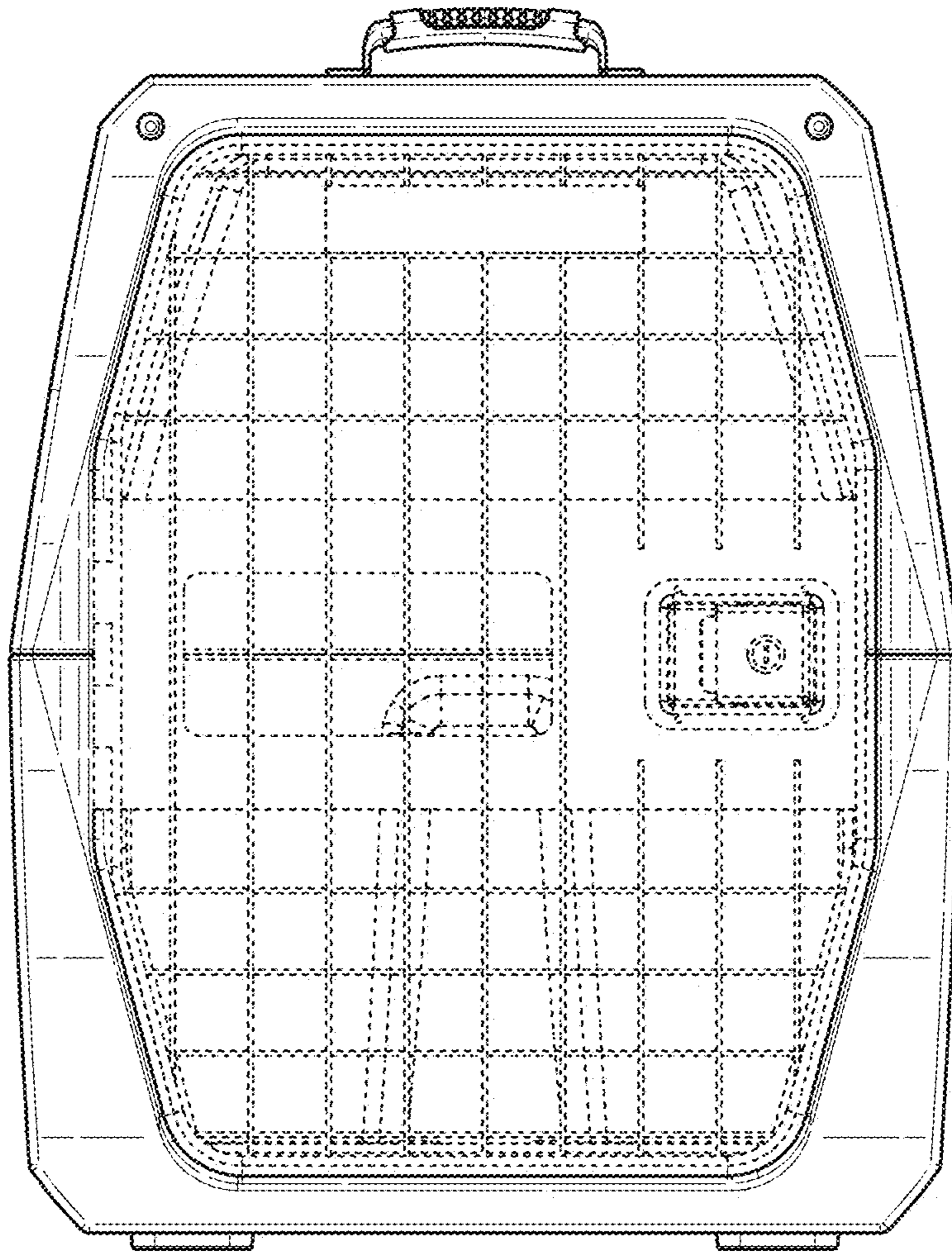


FIG. 4

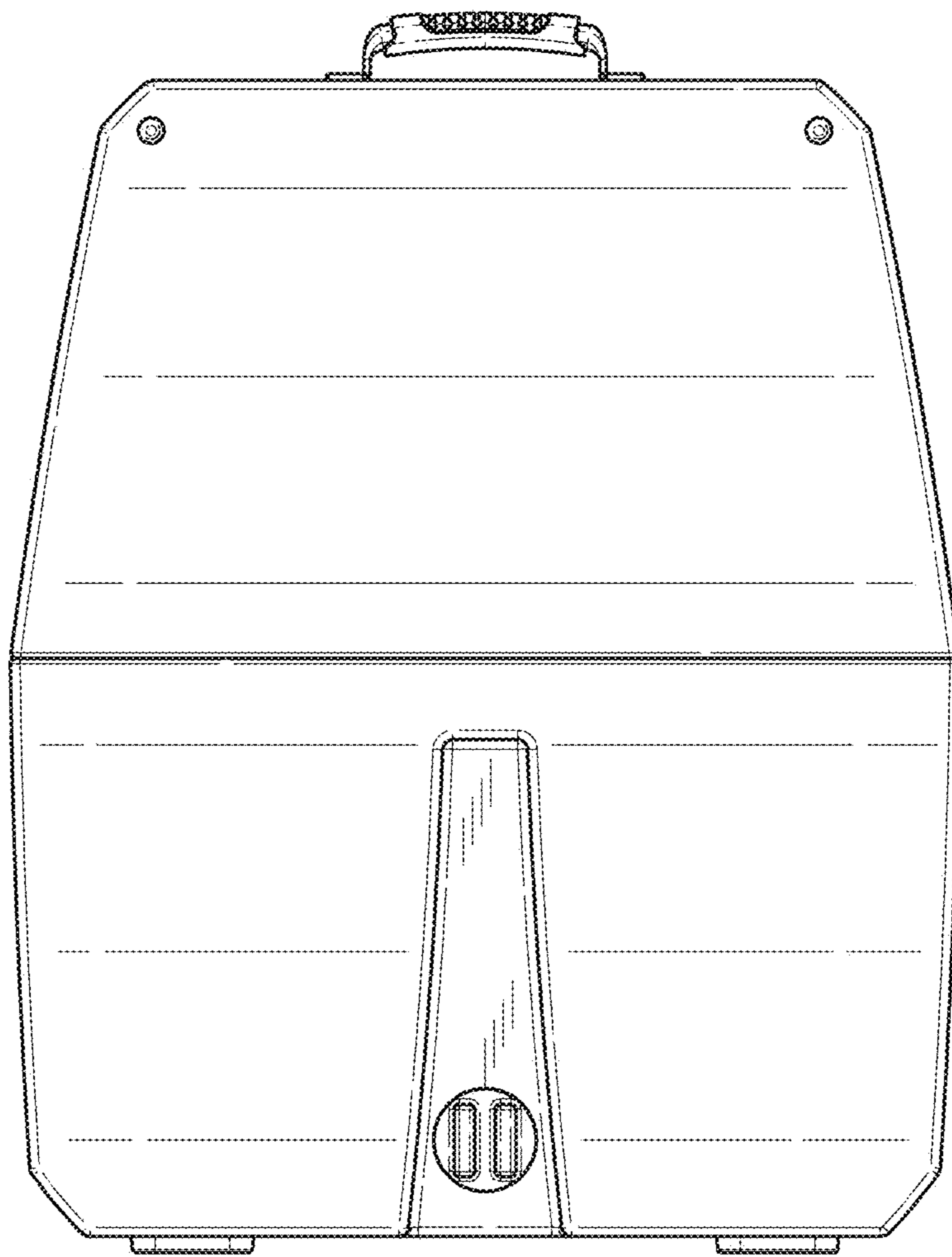


FIG. 5

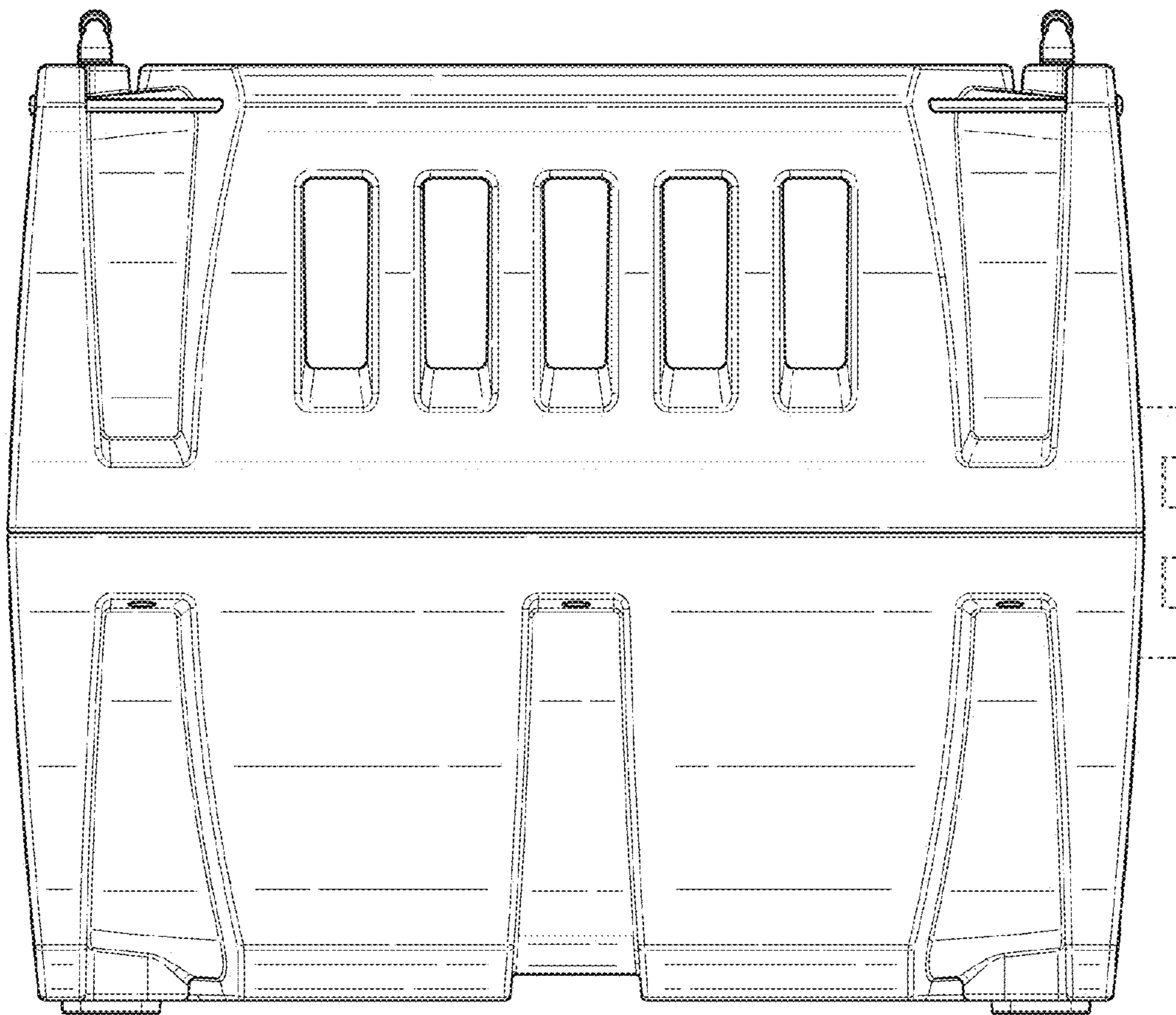


FIG. 6

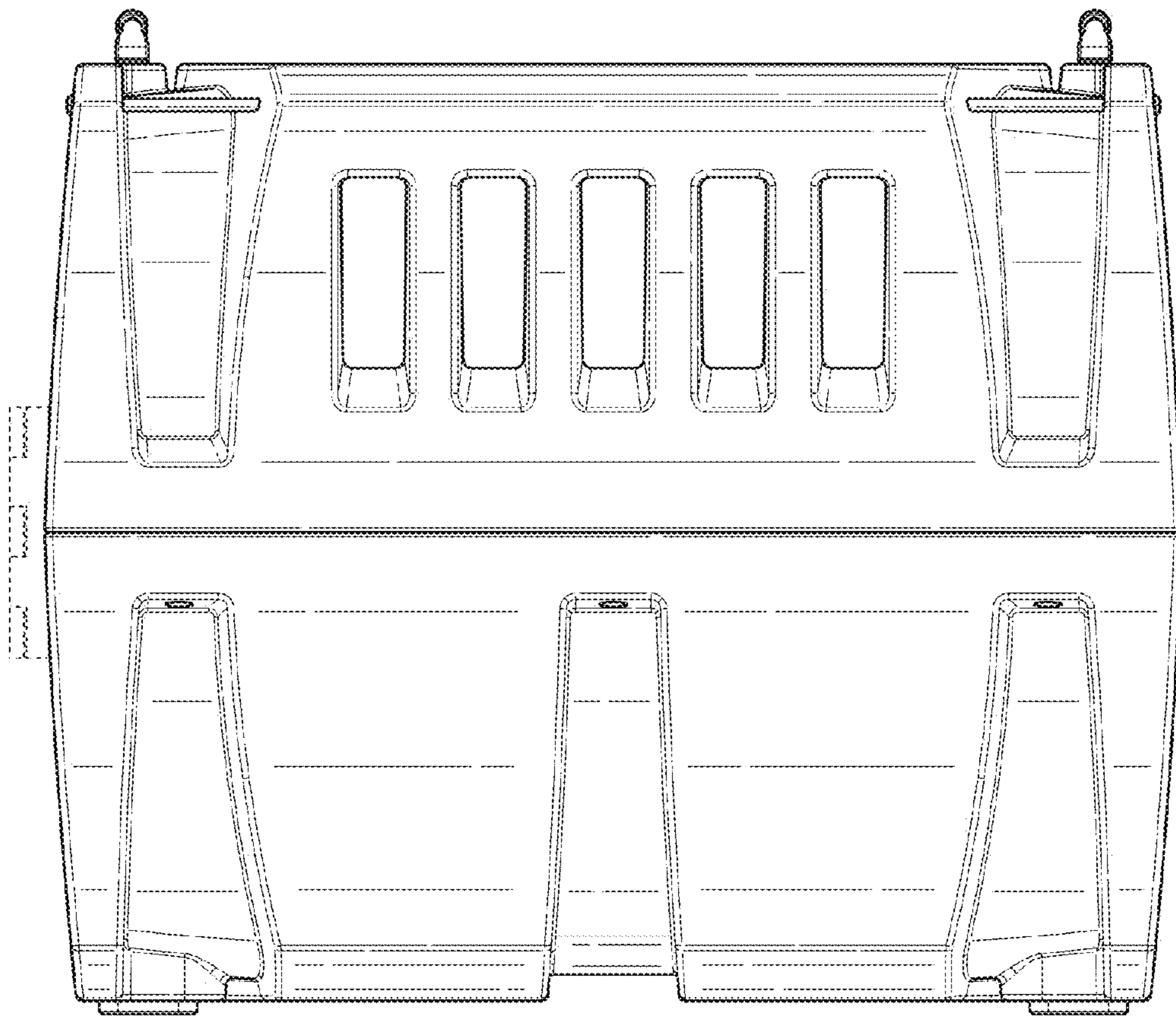


FIG. 7

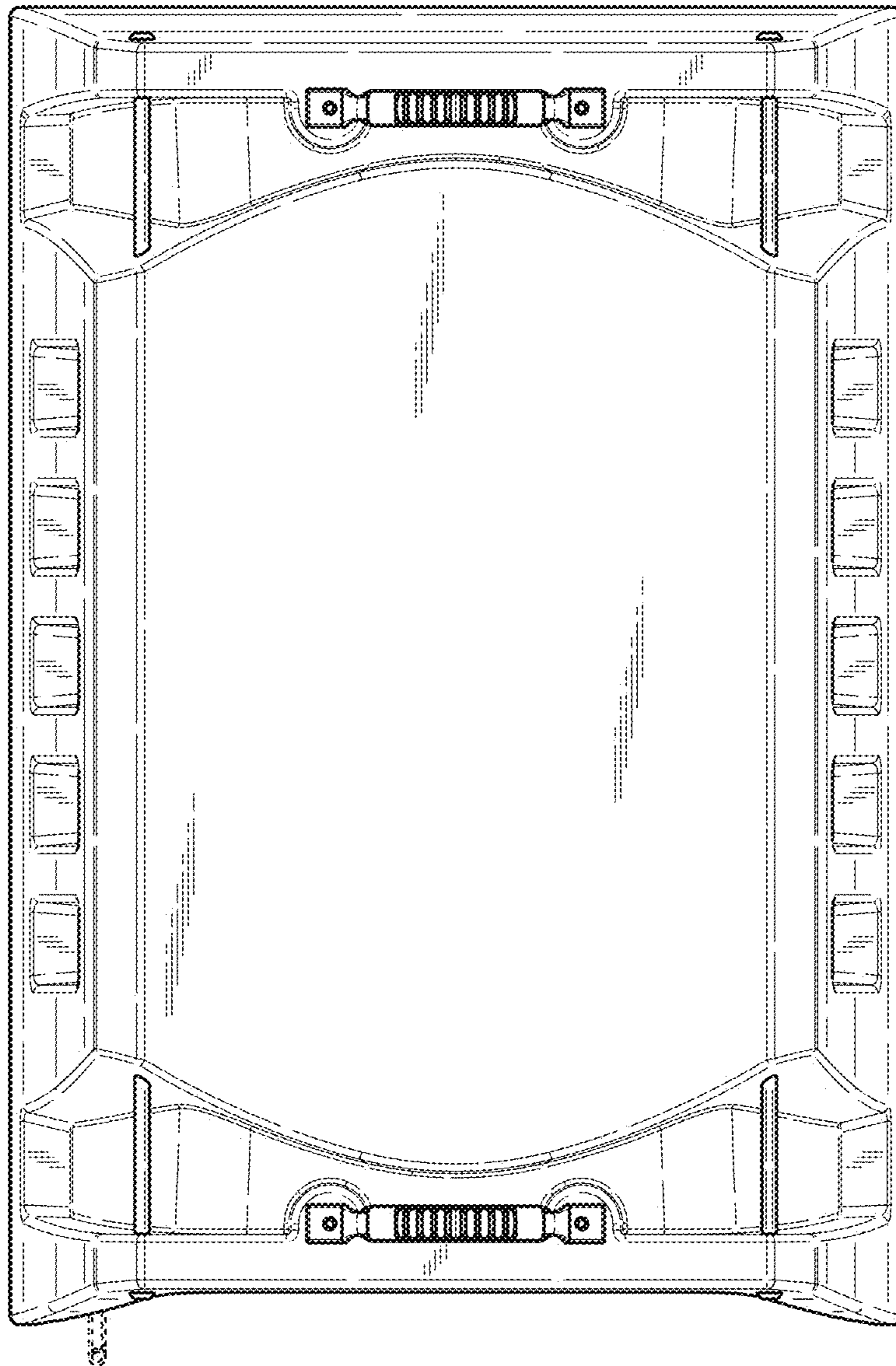


FIG. 8

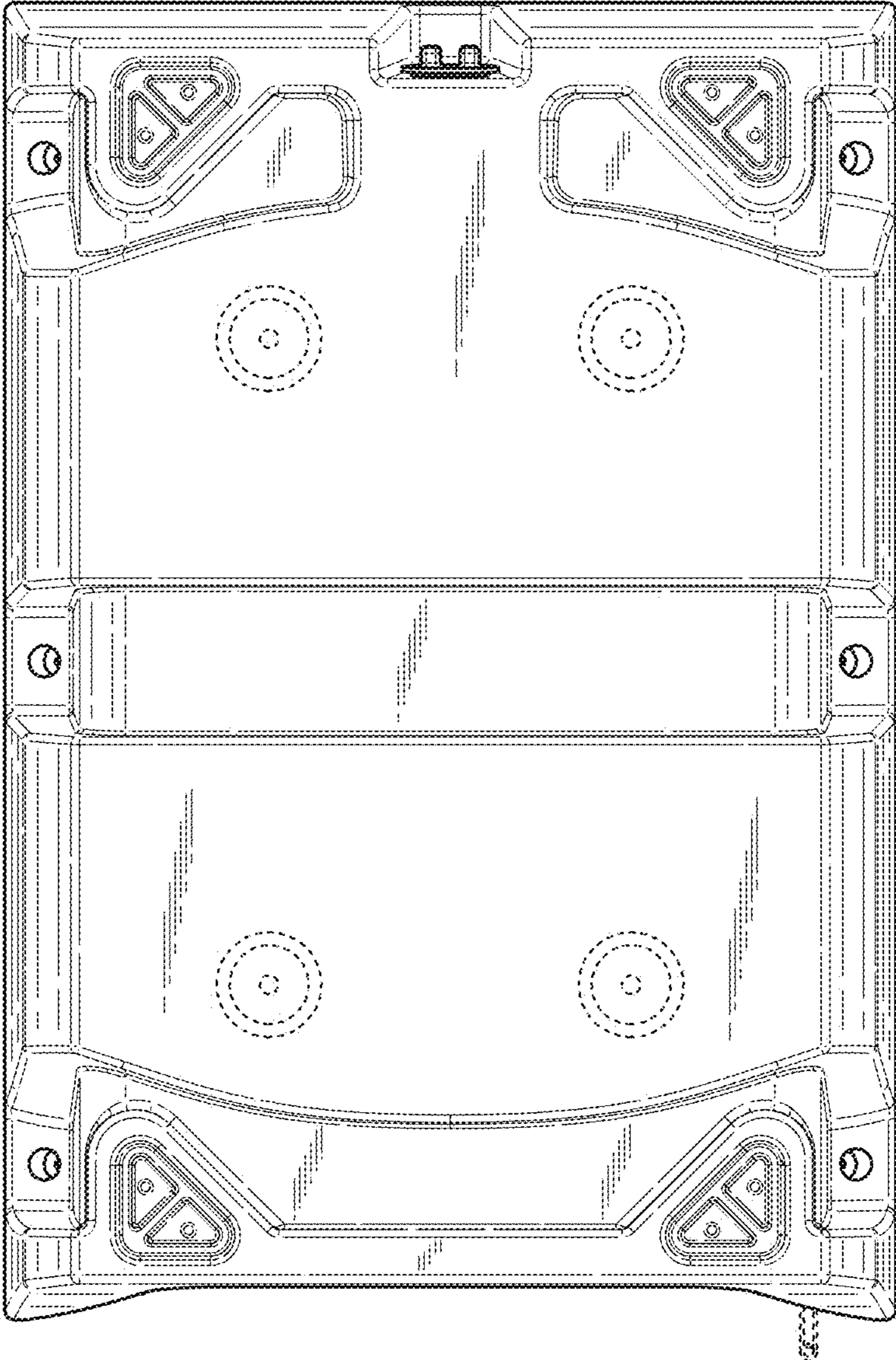


FIG. 9