



US00D760446S

(12) **United States Design Patent**  
**Katers**

(10) **Patent No.:** **US D760,446 S**  
(45) **Date of Patent:** **\*\* Jun. 28, 2016**

(54) **CONVERTIBLE ANIMAL CARRIER**

6,036,085 A \* 3/2000 Tsao ..... 229/117.14  
6,453,845 B1 \* 9/2002 Efrati et al. .... 119/168  
7,380,703 B2 \* 6/2008 Ogden ..... 229/117.13  
D576,482 S \* 9/2008 DeBusk ..... D9/416

(75) Inventor: **Andrew Katers**, Boulder, CO (US)

(73) Assignee: **Animal Care Equipment & Services, LLC**, Boulder, CO (US)

(\*\*) Term: **14 Years**

(21) Appl. No.: **29/408,490**

(22) Filed: **Dec. 13, 2011**

(51) **LOC (10) Cl.** ..... **30-02**

(52) **U.S. Cl.**  
USPC ..... **D30/109**

(58) **Field of Classification Search**  
USPC ..... D30/108–112, 118, 161; 119/28.5,  
119/161–170, 482, 487, 496–498, 500,  
119/537; D9/416; 229/117.14–117.15  
See application file for complete search history.

(56) **References Cited**

**U.S. PATENT DOCUMENTS**

2,714,982 A \* 8/1955 Strauss ..... 229/117.15  
3,016,042 A \* 1/1962 Curn, Jr. .... 119/499  
3,150,769 A \* 9/1964 Cohn ..... 229/117.14  
3,640,380 A \* 2/1972 Huffman ..... 229/117.14  
4,010,888 A \* 3/1977 Gilbert ..... 119/454  
4,736,707 A \* 4/1988 Christie ..... 119/499  
4,981,254 A \* 1/1991 Depper ..... 229/117.14  
5,046,457 A \* 9/1991 Ashcroft et al. .... 119/168  
5,392,984 A \* 2/1995 Yocum ..... 229/117.15  
5,396,864 A \* 3/1995 Mannschreck ..... 119/168  
5,769,028 A \* 6/1998 Deckys ..... 119/496  
5,839,392 A \* 11/1998 Pemberton et al. .... 119/498  
5,853,121 A \* 12/1998 Francisco ..... 229/117.14

**OTHER PUBLICATIONS**

[https://www.animal-care.com/index.cfm/id/10/category/151/secondary/311/carriers?PageNum\\_Results=1&category=151&secondary=311](https://www.animal-care.com/index.cfm/id/10/category/151/secondary/311/carriers?PageNum_Results=1&category=151&secondary=311); Copyright 2010.\*

\* cited by examiner

*Primary Examiner* — Cathy Anne MacCormac

(74) *Attorney, Agent, or Firm* — Holland & Hart LLP

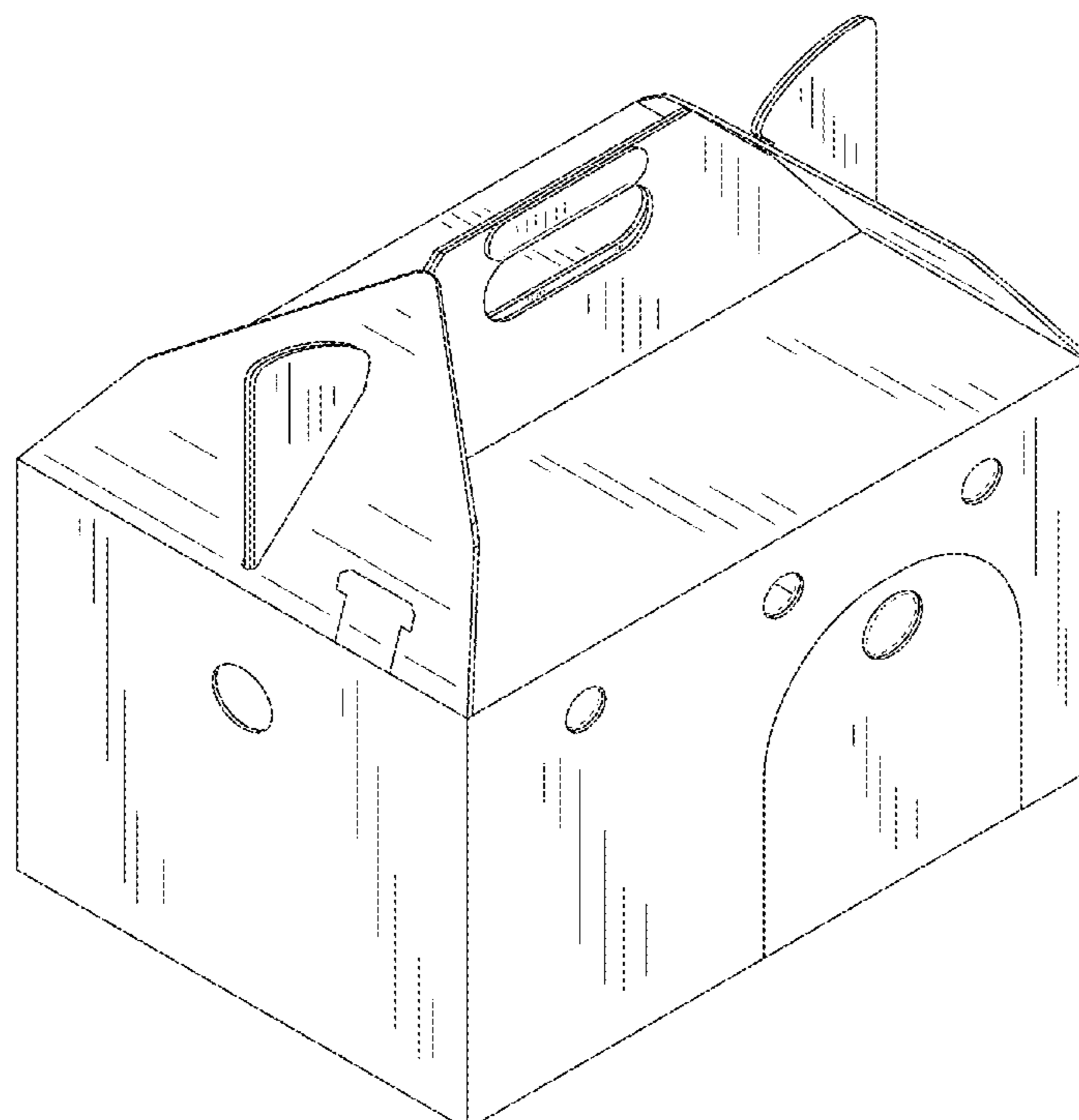
(57) **CLAIM**

The ornamental design for a convertible animal carrier, as shown and described.

**DESCRIPTION**

FIG. 1 is a top perspective view of the convertible animal carrier, showing my new design;  
FIG. 2 is a reduced front elevation view thereof;  
FIG. 3 is a rear elevation view of FIG. 2;  
FIG. 4 is a right side elevation view of FIG. 2;  
FIG. 5 is a left side elevation view of FIG. 2;  
FIG. 6 is a top plan view of FIG. 2; and,  
FIG. 7 is a bottom plan view of FIG. 2.  
The broken lines depict environmental subject matter, are for illustration only and form no part of the claimed design.

**1 Claim, 5 Drawing Sheets**



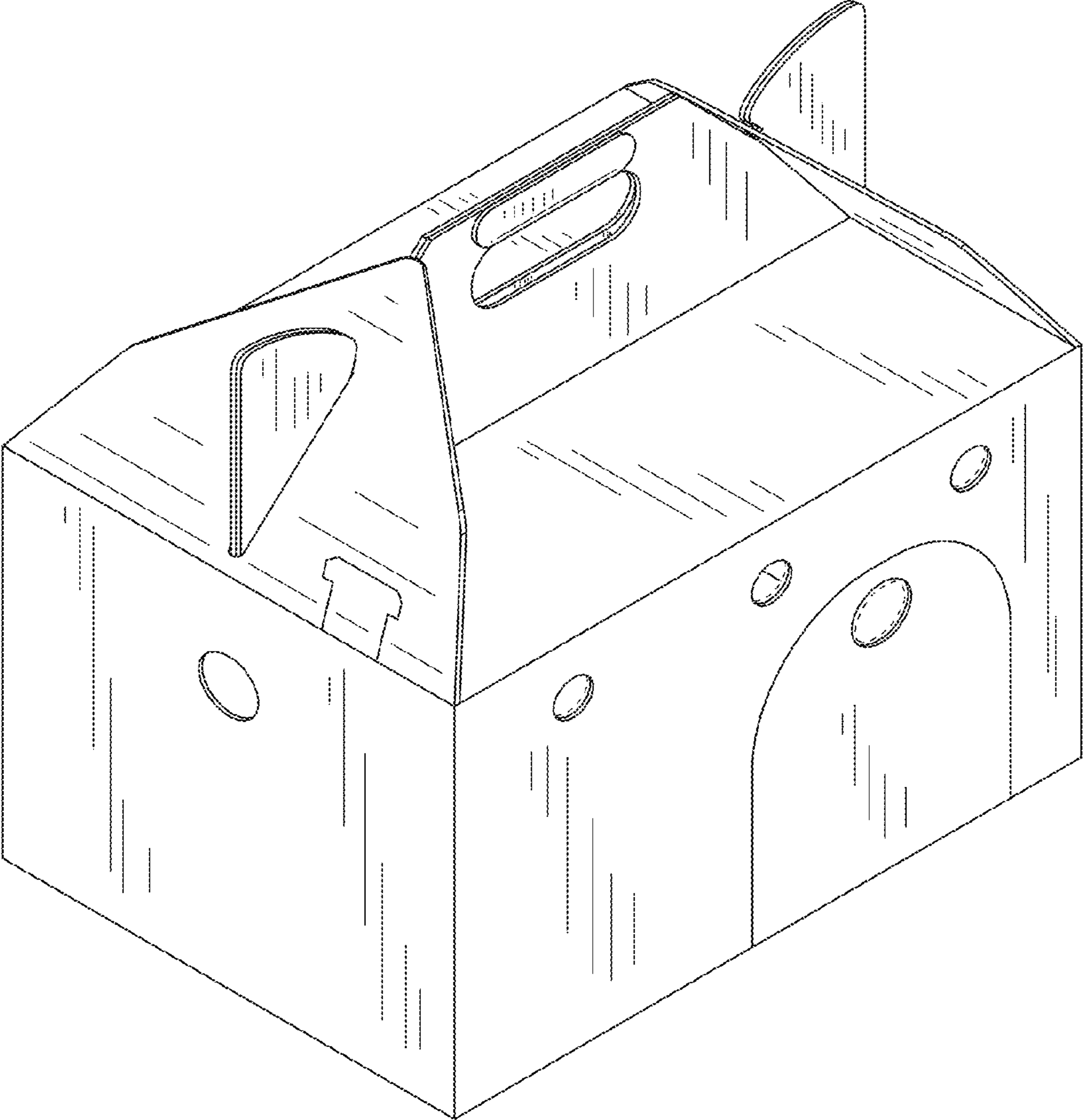


FIG.1

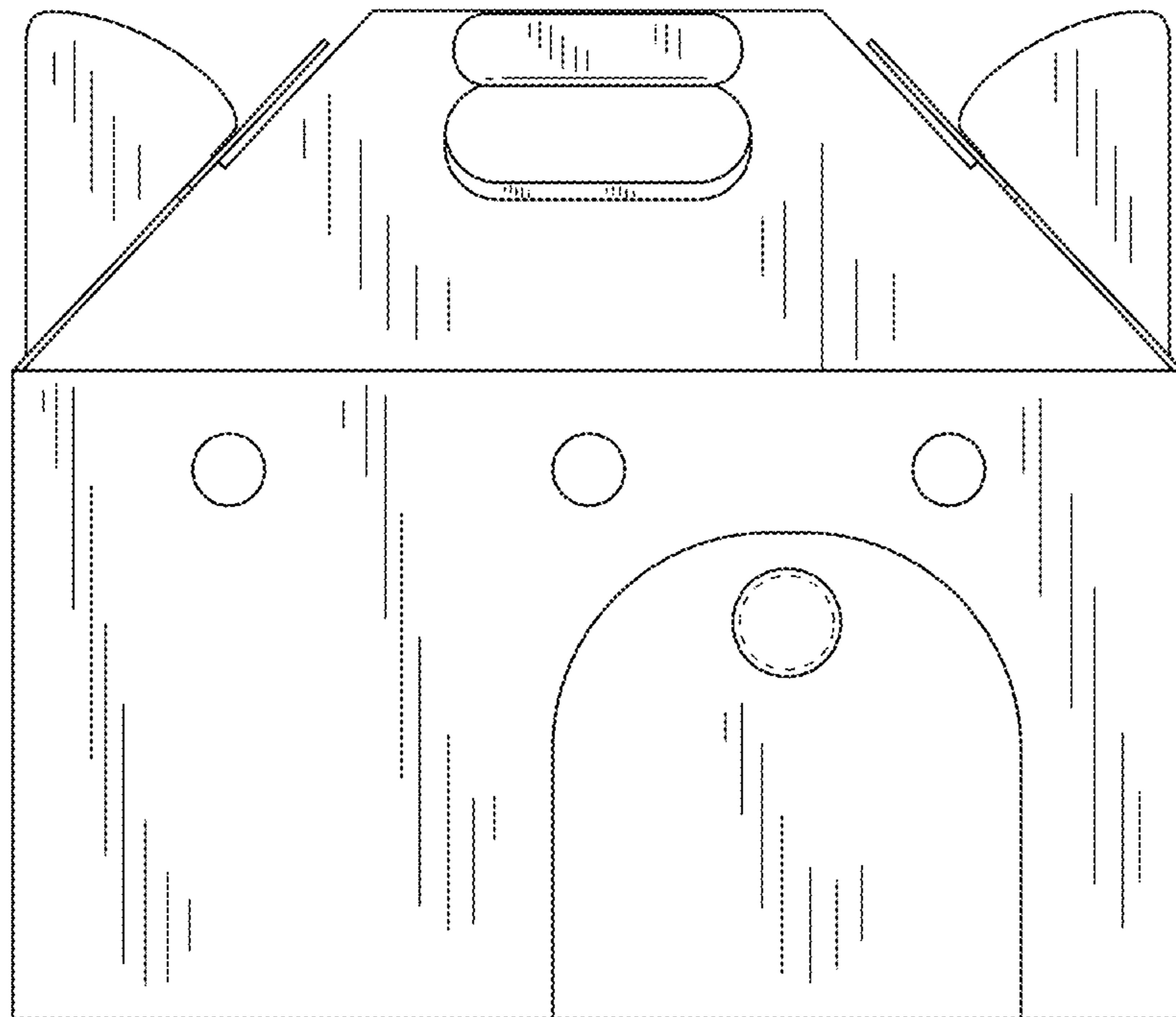


FIG.2

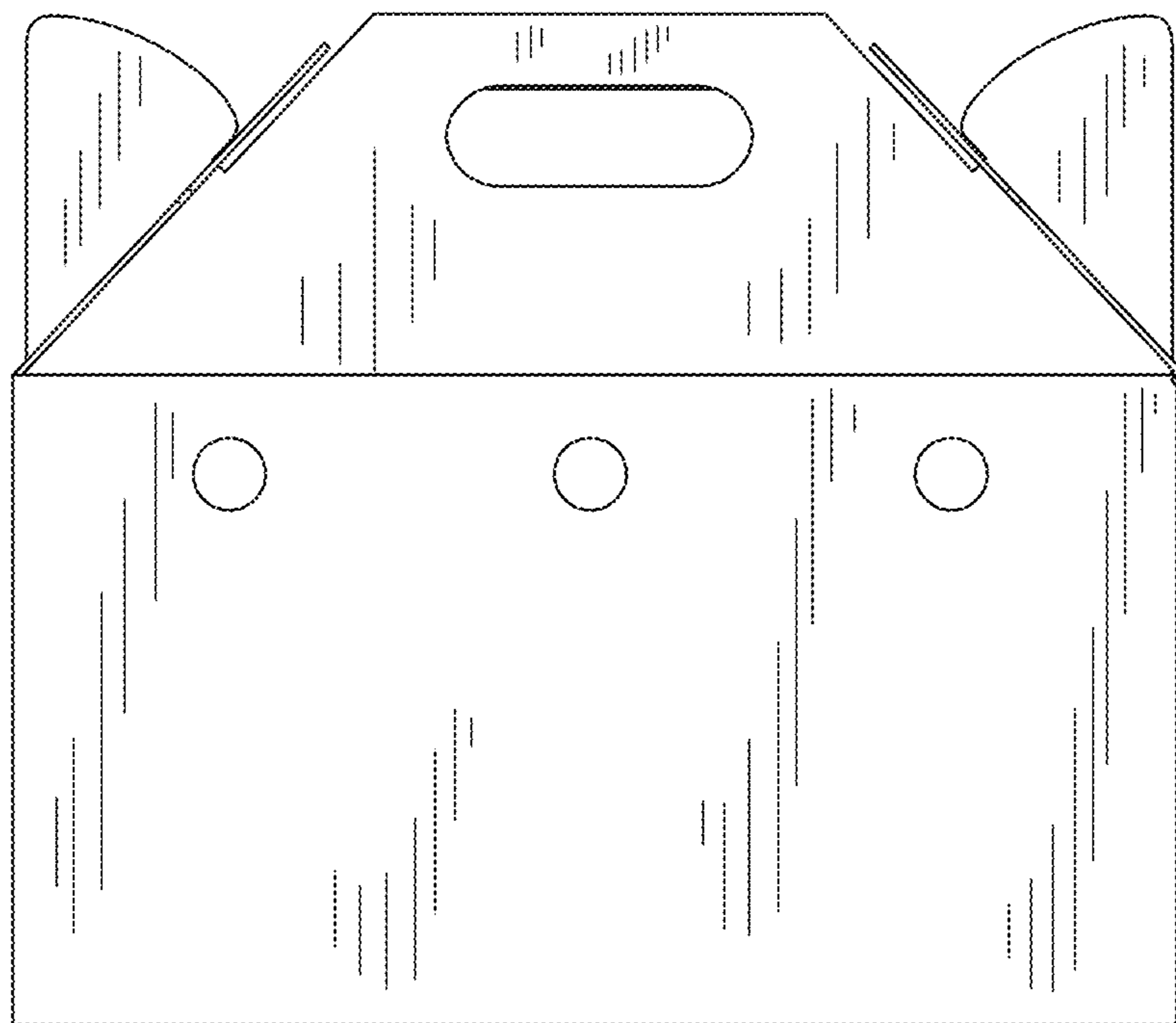


FIG.3

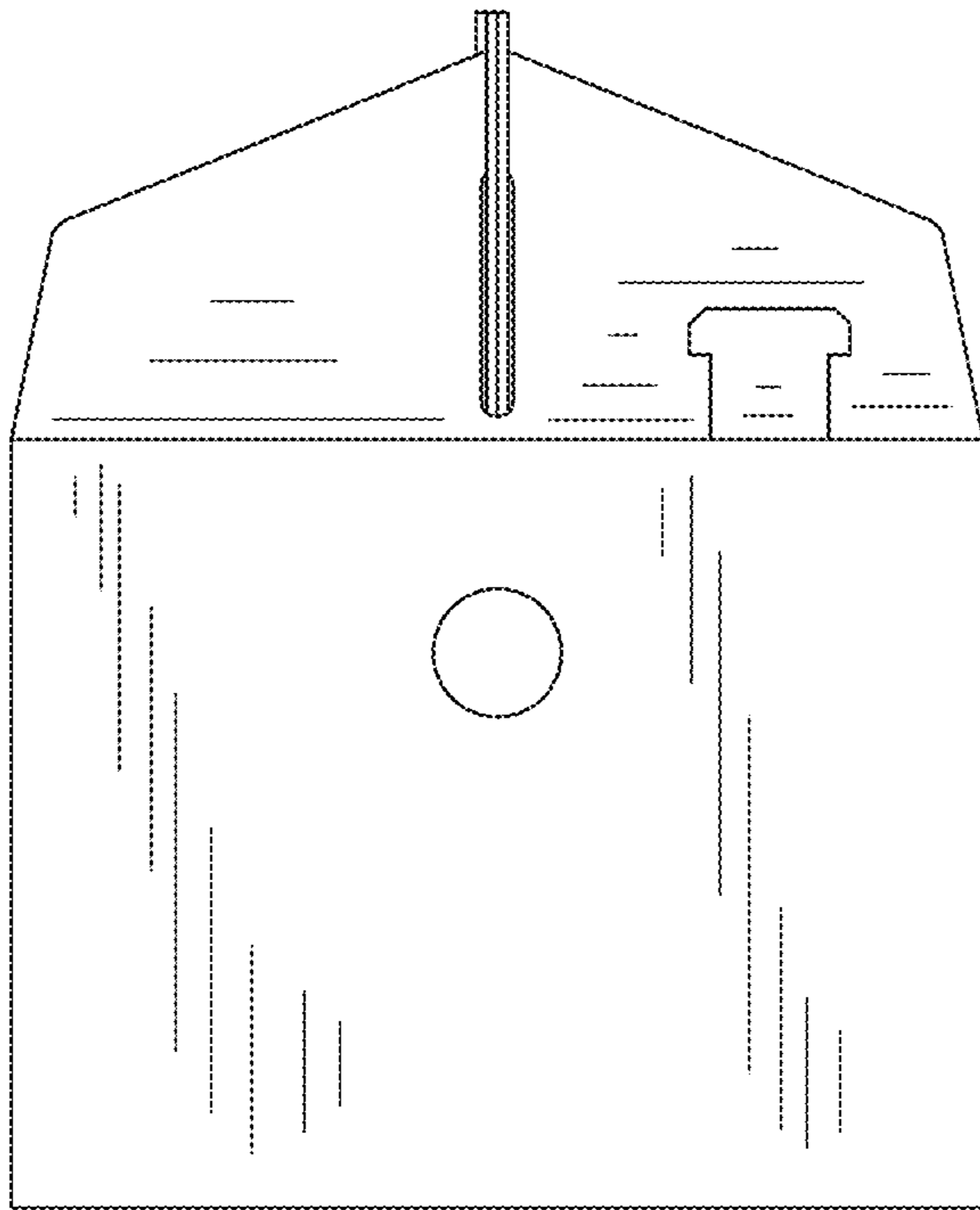


FIG.4

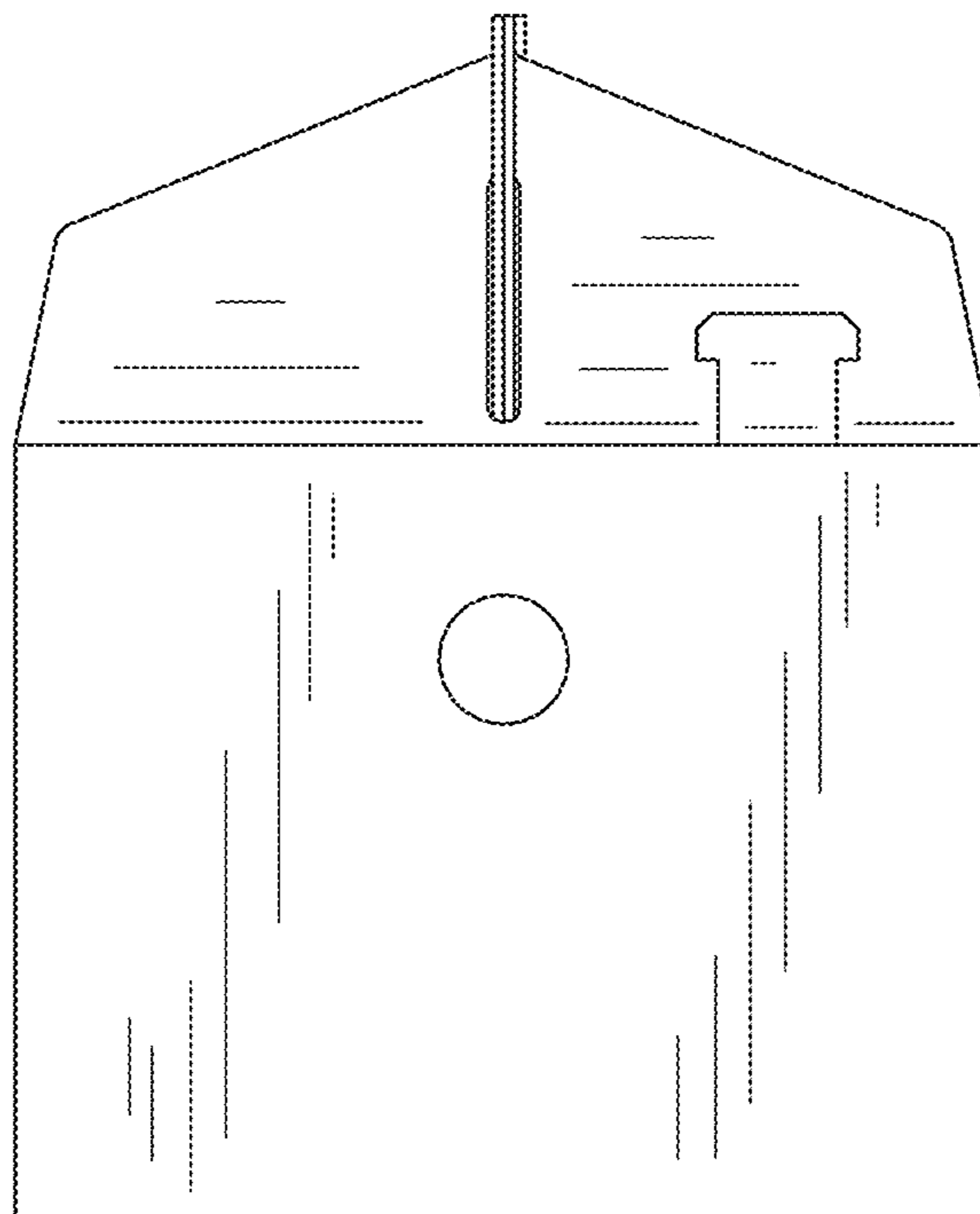


FIG.5

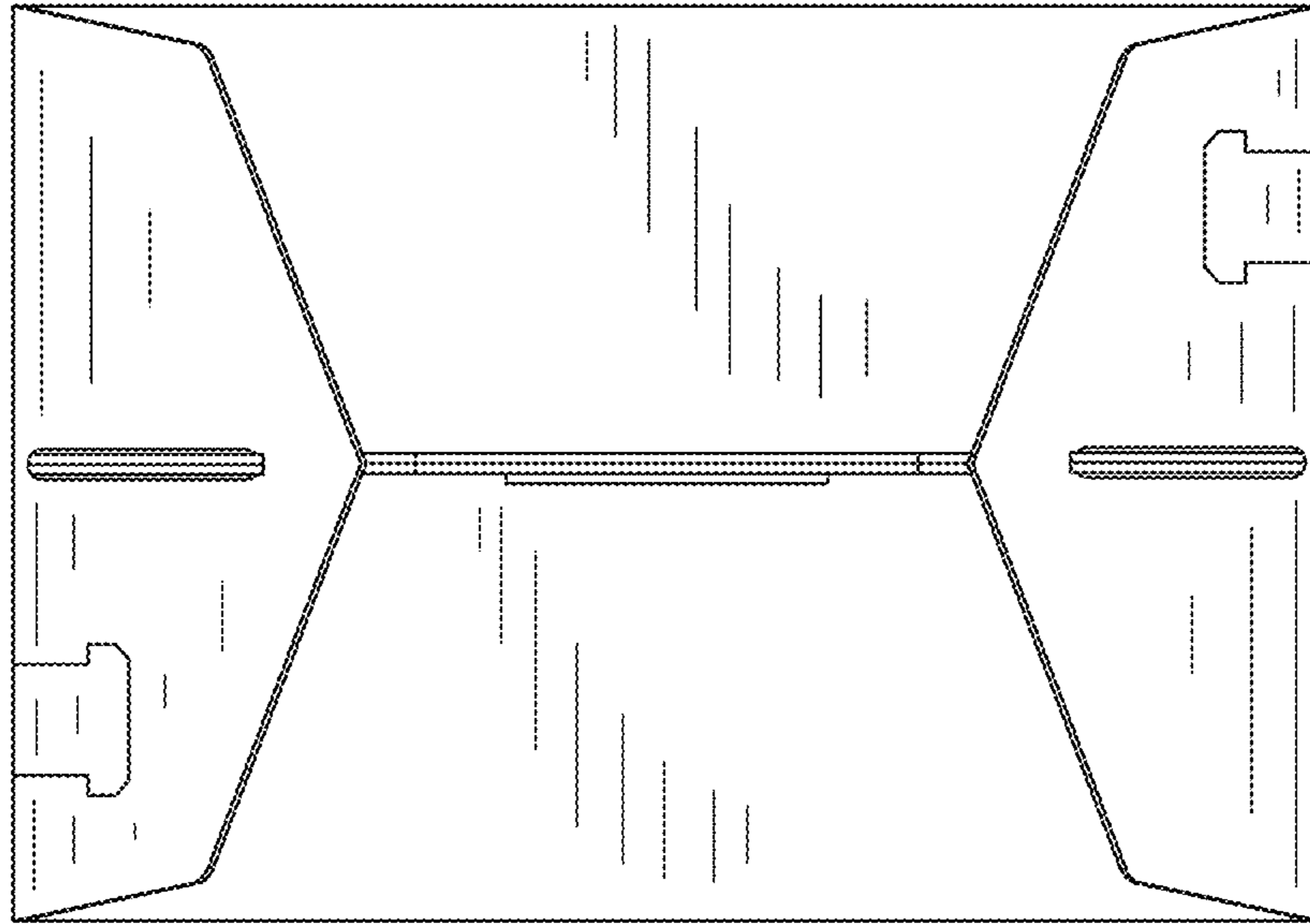


FIG. 6

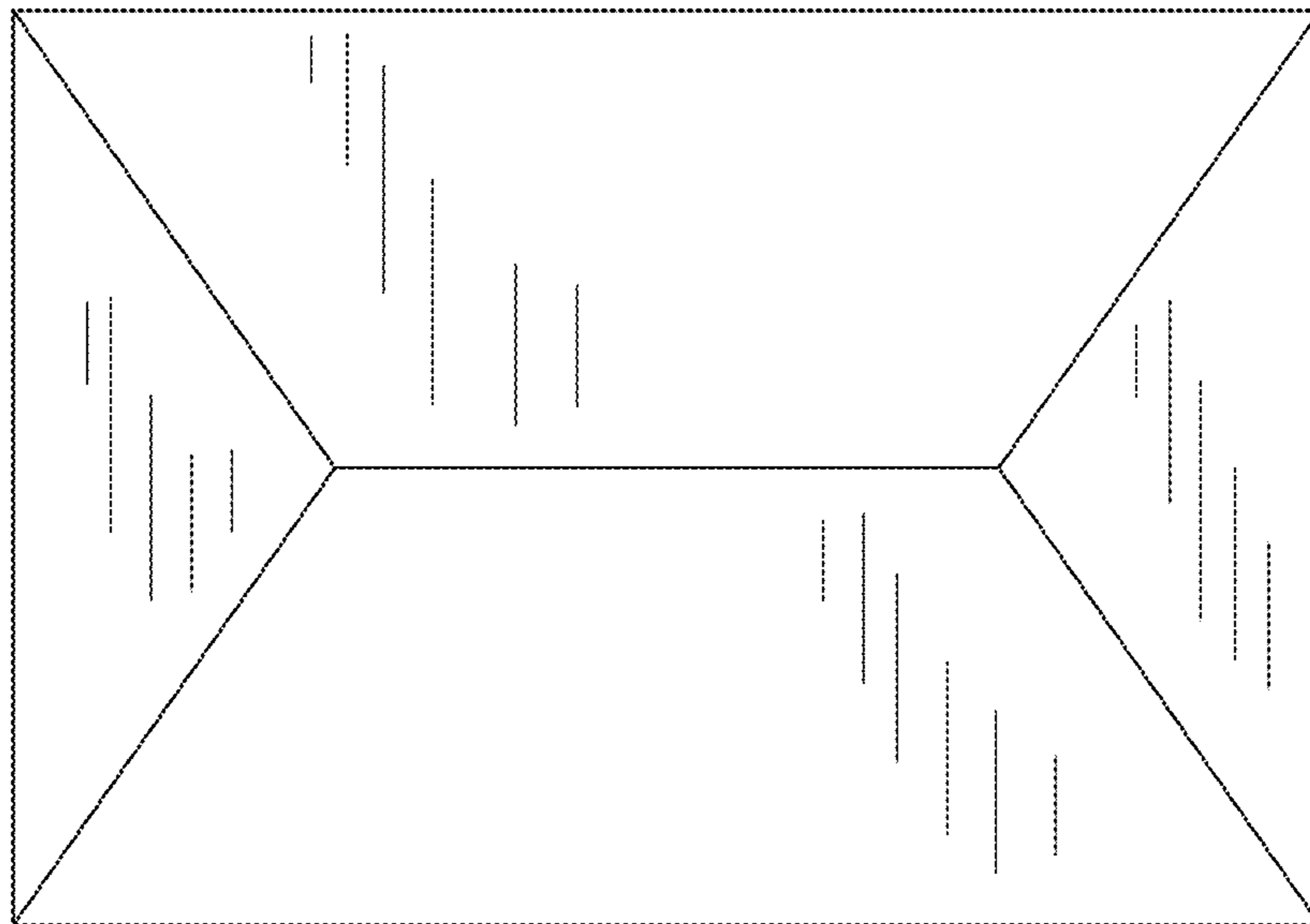


FIG. 7