



US00D760445S

(12) **United States Design Patent**
Katers

(10) **Patent No.:** **US D760,445 S**
(45) **Date of Patent:** **** Jun. 28, 2016**

(54) **CONVERTIBLE ANIMAL HABITAT**

(75) Inventor: **Andrew Katers**, Boulder, CO (US)

(73) Assignee: **Animal Care Equipment & Services, LLC**, Boulder, CO (US)

(**) Term: **14 Years**

(21) Appl. No.: **29/408,487**

(22) Filed: **Dec. 13, 2011**

(51) **LOC (10) Cl.** **30-02**

(52) **U.S. Cl.**
USPC **D30/108; D30/118**

(58) **Field of Classification Search**
USPC D30/108–112, 118, 161; 119/28.5,
119/161–170, 482, 487, 496–498, 500,
119/537; D9/416; 229/117.14–117.15
See application file for complete search history.

(56) **References Cited**

U.S. PATENT DOCUMENTS

1,930,348	A *	10/1933	Parrott	312/239
2,714,982	A *	8/1955	Strauss	229/117.15
3,016,042	A *	1/1962	Curn, Jr.	D30/108
3,150,769	A *	9/1964	Cohn	229/117.14
3,640,380	A *	2/1972	Huffman	229/117.14
4,010,888	A *	3/1977	Gilbert	229/117.14
4,736,707	A *	4/1988	Christie	119/168
4,981,254	A *	1/1991	Depper	229/117.14
5,392,984	A *	2/1995	Yocum	229/117.15
5,769,028	A *	6/1998	Deckys	119/496
5,839,392	A *	11/1998	Pemberton et al.	119/498
5,853,121	A *	12/1998	Francisco	229/117.14
6,036,085	A *	3/2000	Tsao	229/117.14
6,945,193	B1 *	9/2005	Tanner et al.	119/165
D555,293	S *	11/2007	Gourkow	D30/108

7,380,703	B2 *	6/2008	Ogden	229/117.13
D576,482	S *	9/2008	DeBusk	D9/416
2005/0072364	A1 *	4/2005	Kerrigan	119/28.5

OTHER PUBLICATIONS

https://www.animal-care.com/index.cfm/id/10/category/151/secondary/311/carriers?PageNum_Results=2&secondary=311; Copy-right 2010.*

* cited by examiner

Primary Examiner — Cathy Anne MacCormac

(74) *Attorney, Agent, or Firm* — Holland & Hart LLP

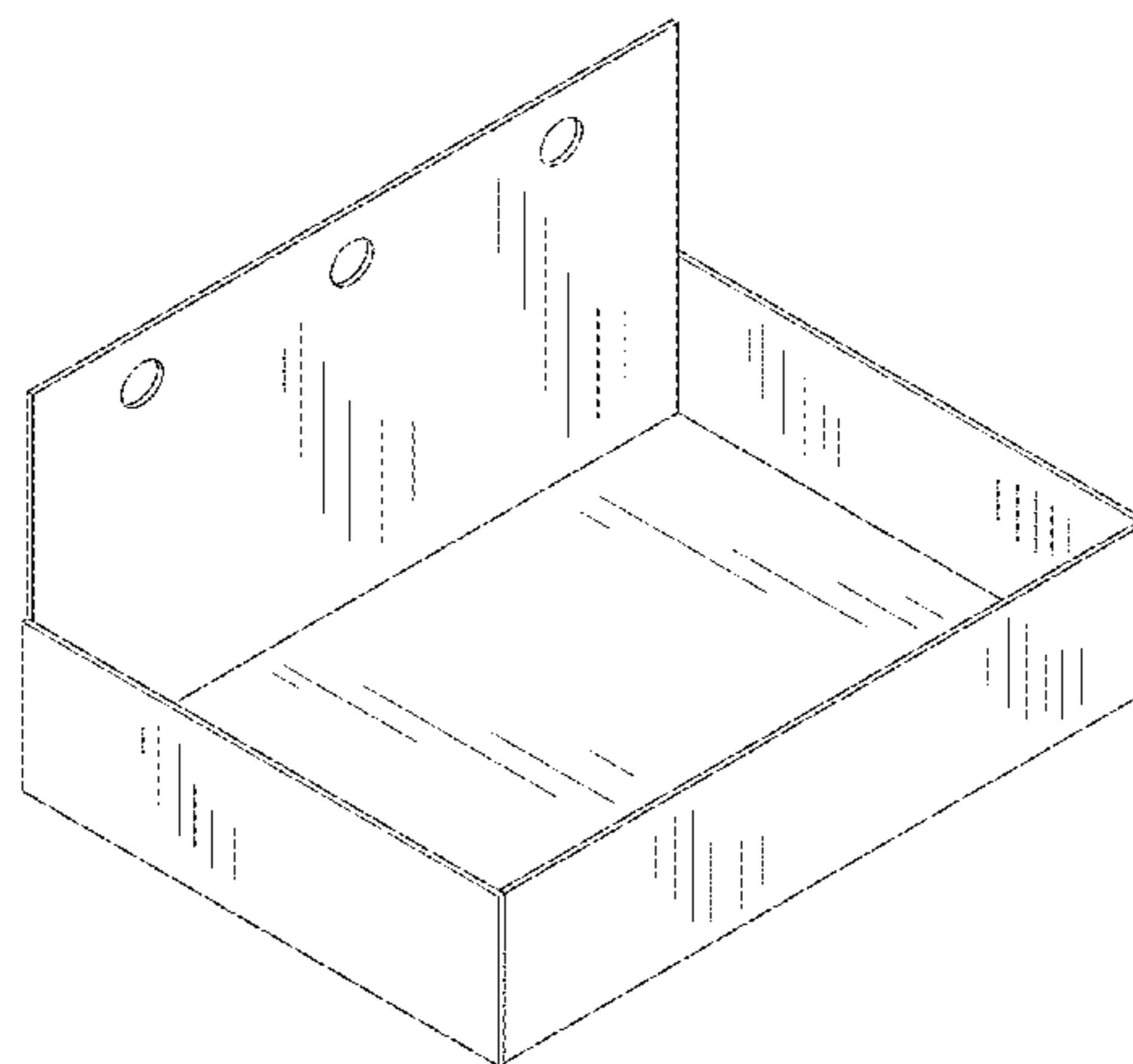
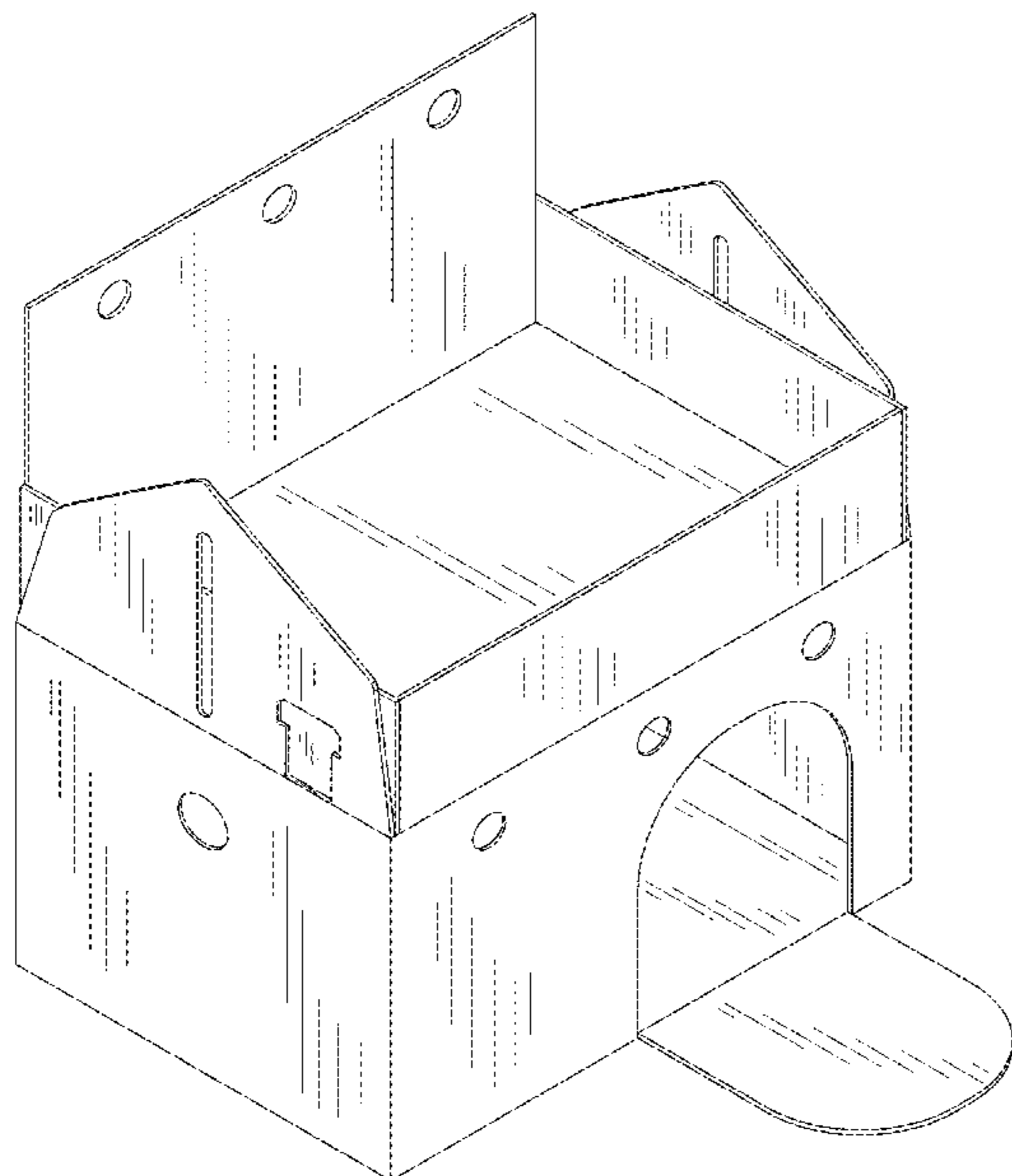
(57) **CLAIM**

The ornamental design for a convertible animal habitat, as shown and described.

DESCRIPTION

FIG. 1 is a top perspective view of the convertible animal habitat, showing my new design;
FIG. 2 is a reduced front elevation view thereof;
FIG. 3 is a rear elevation view of FIG. 2;
FIG. 4 is a right side elevation view of FIG. 2;
FIG. 5 is a left side elevation view of FIG. 2;
FIG. 6 is a top plan view of FIG. 2;
FIG. 7 is a bottom plan view of FIG. 2;
FIG. 8 is another top perspective view of FIG. 1 showing an access panel to the interior of the habitat in an open position; and,
FIG. 9 is a top perspective view of the upper portion of the convertible animal habitat of FIGS. 1 and 8.

1 Claim, 8 Drawing Sheets



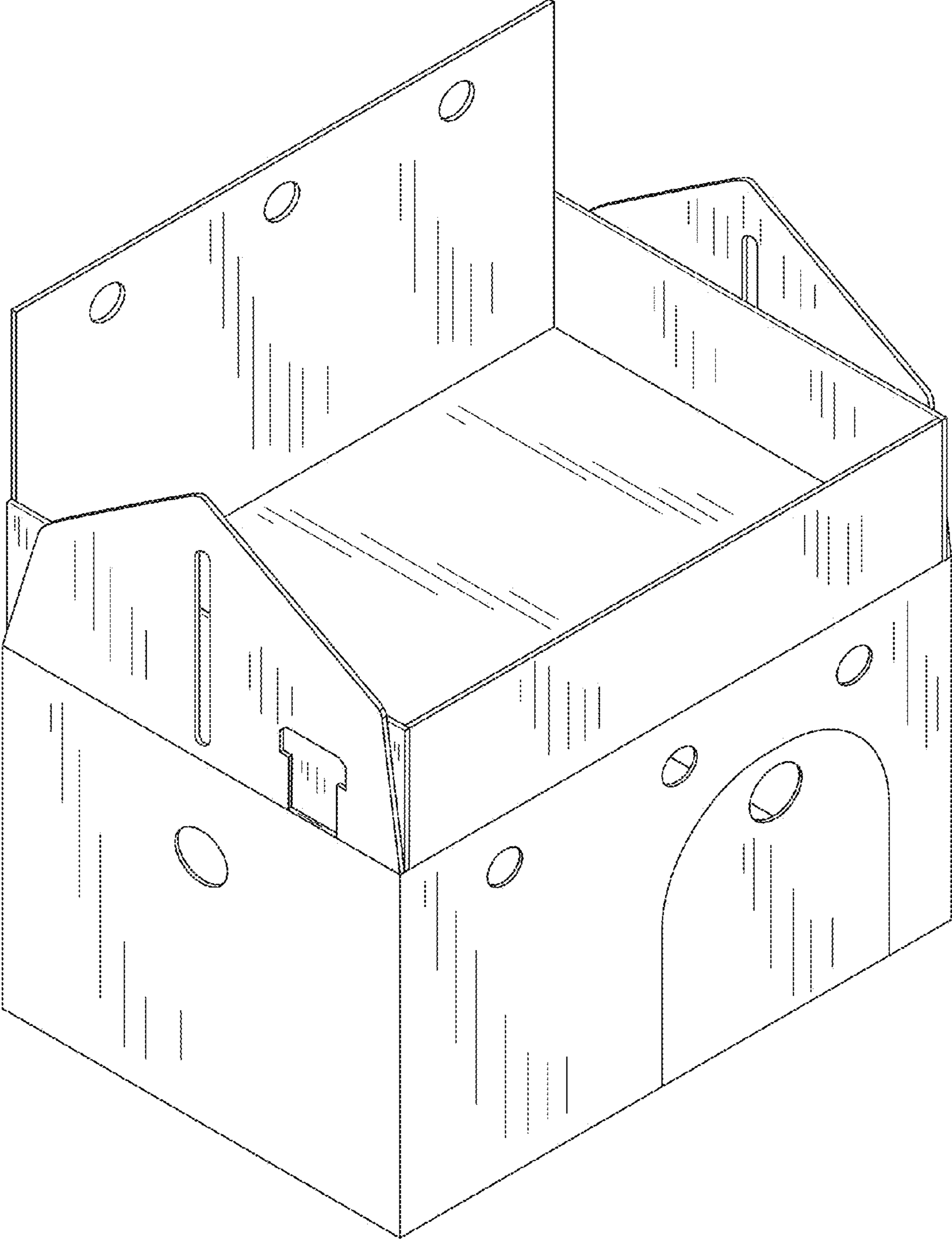


FIG. 1

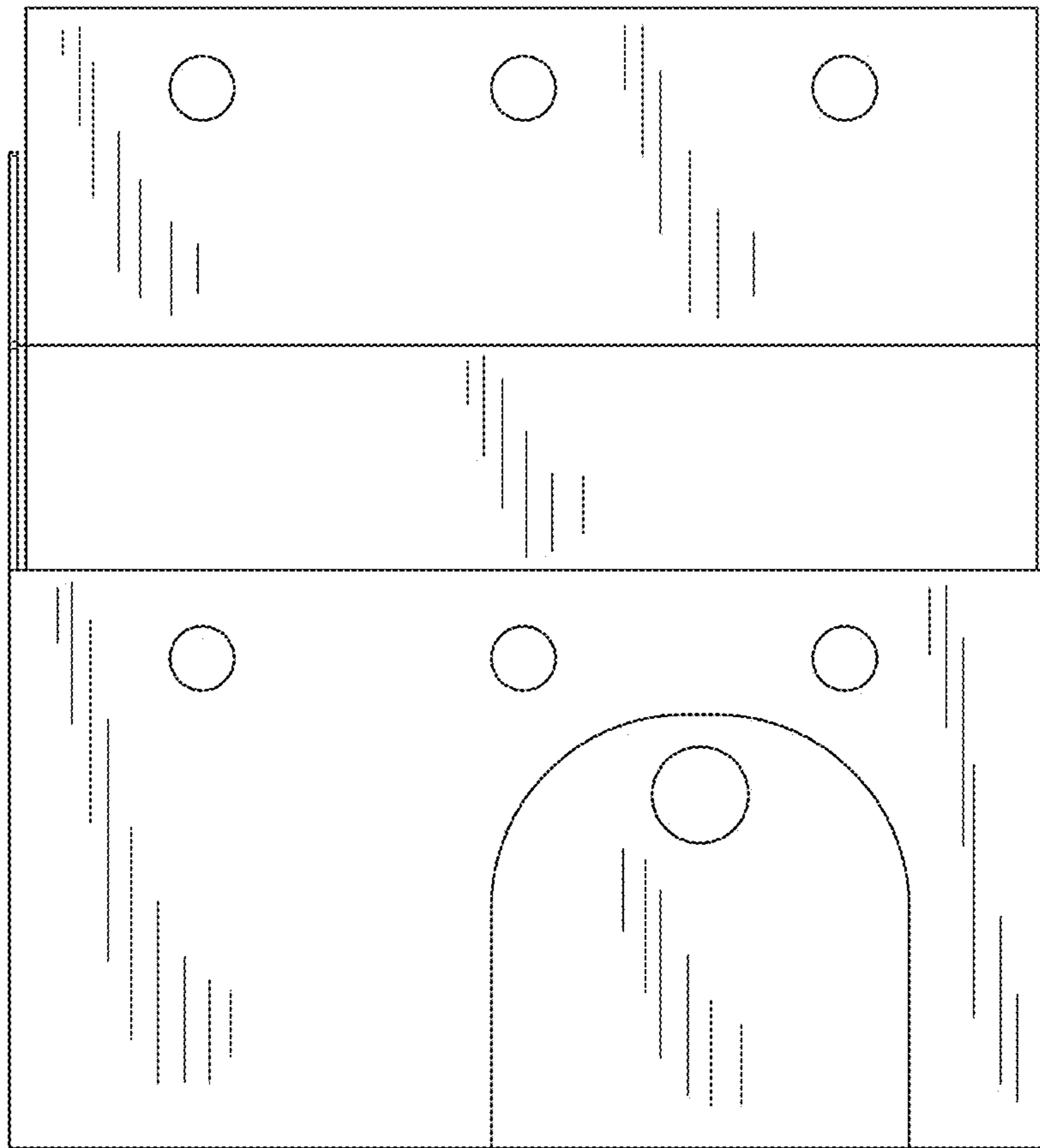


FIG.2

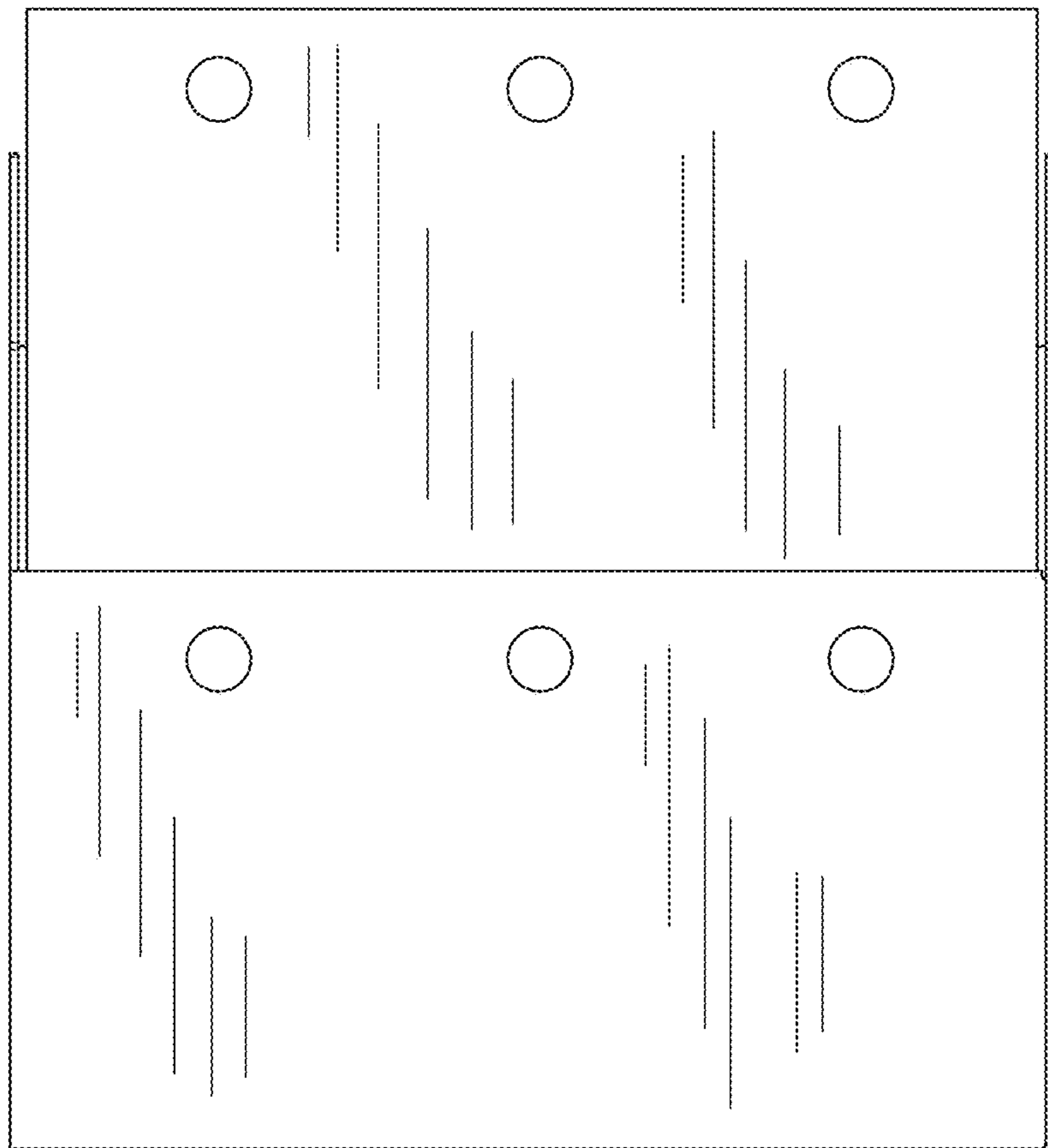


FIG.3

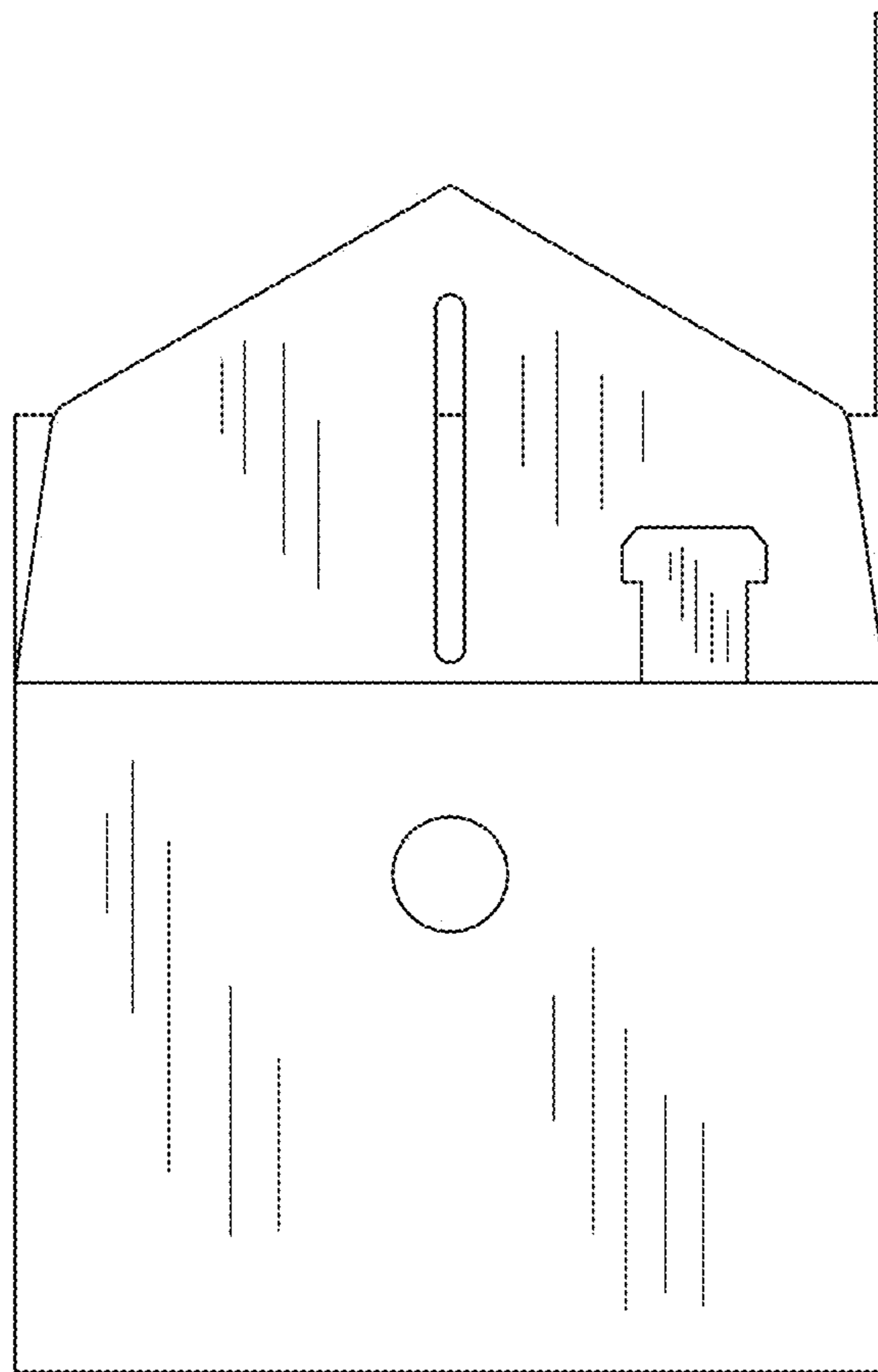


FIG.4

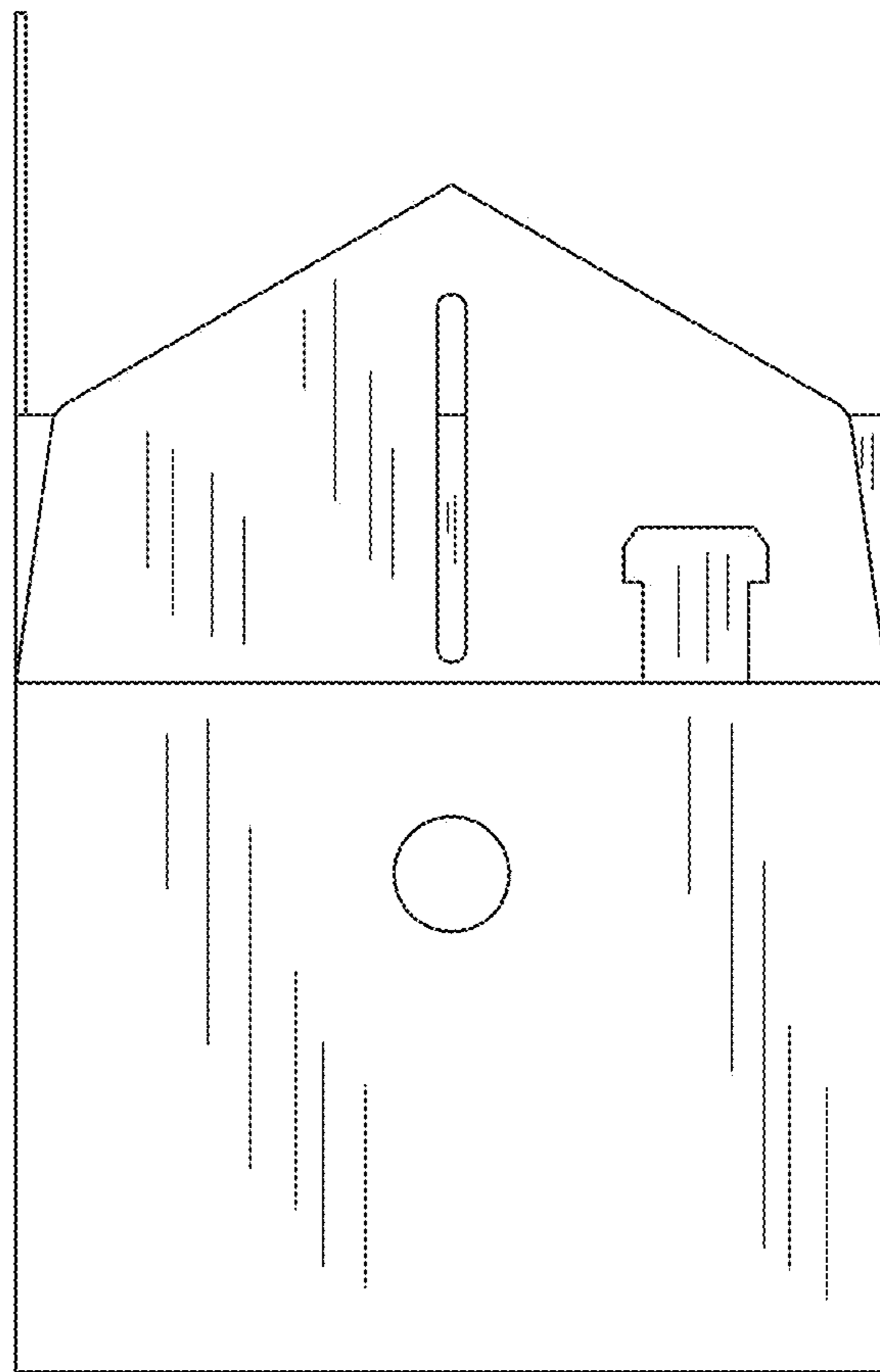


FIG.5

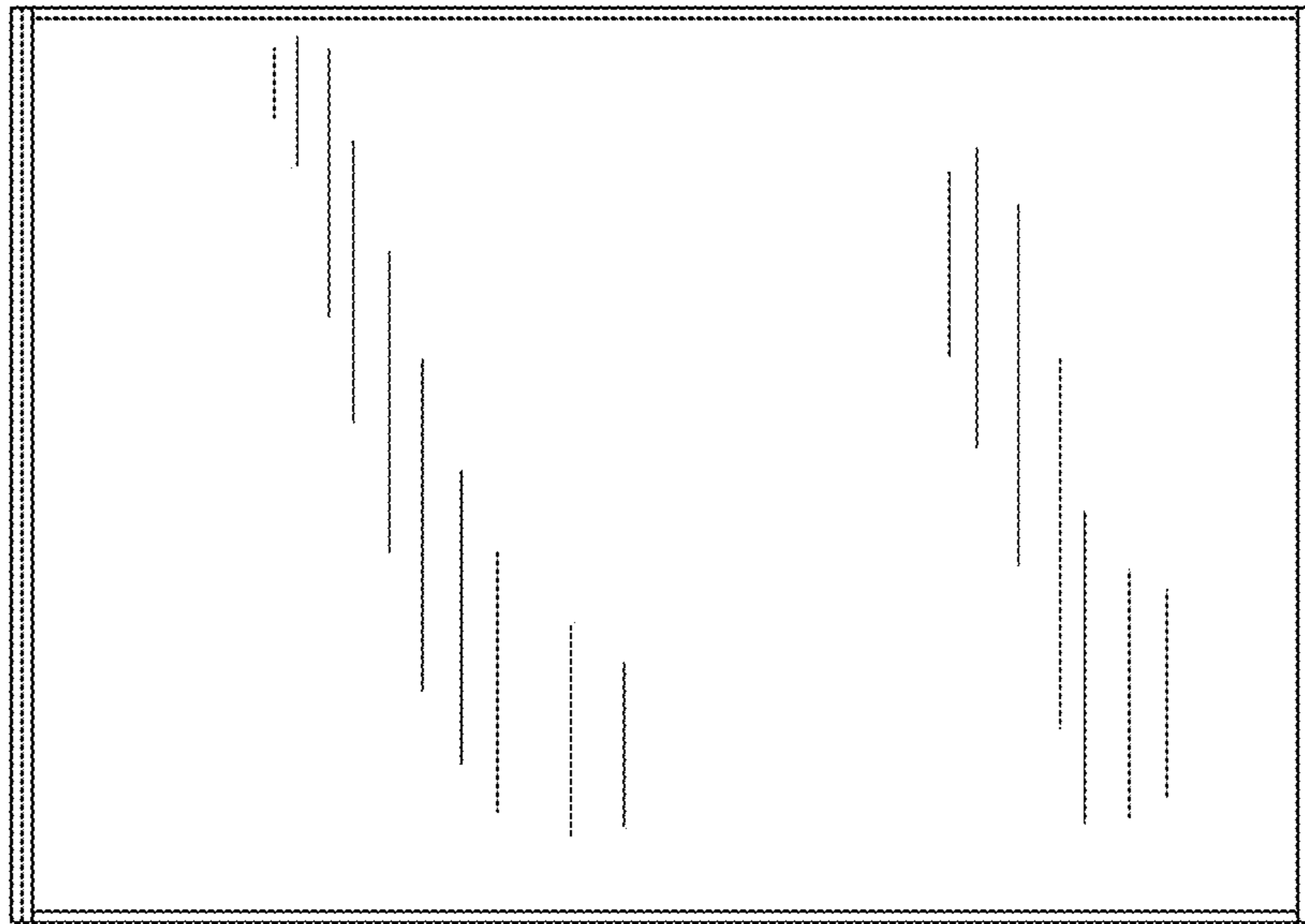


FIG. 6

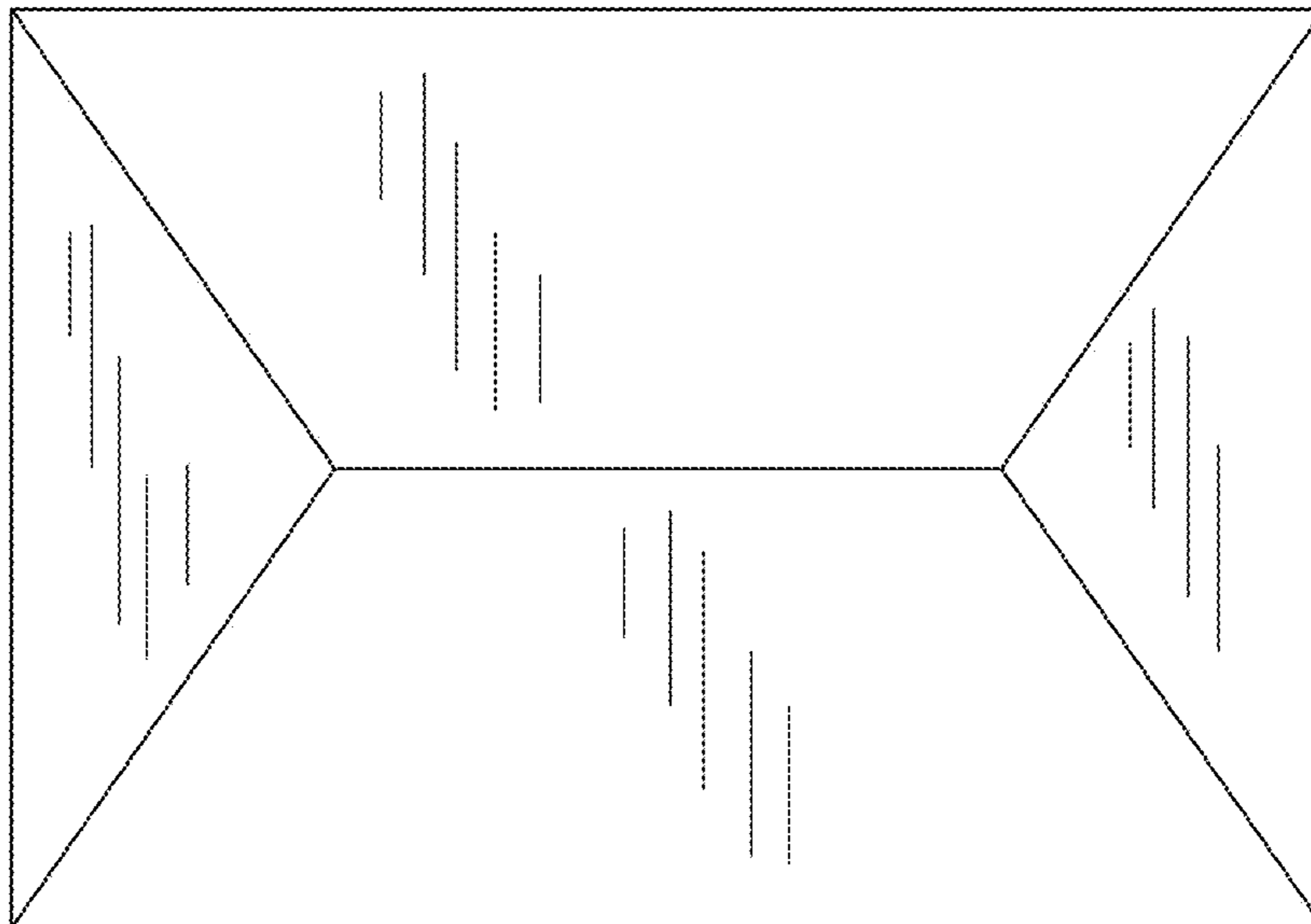


FIG. 7

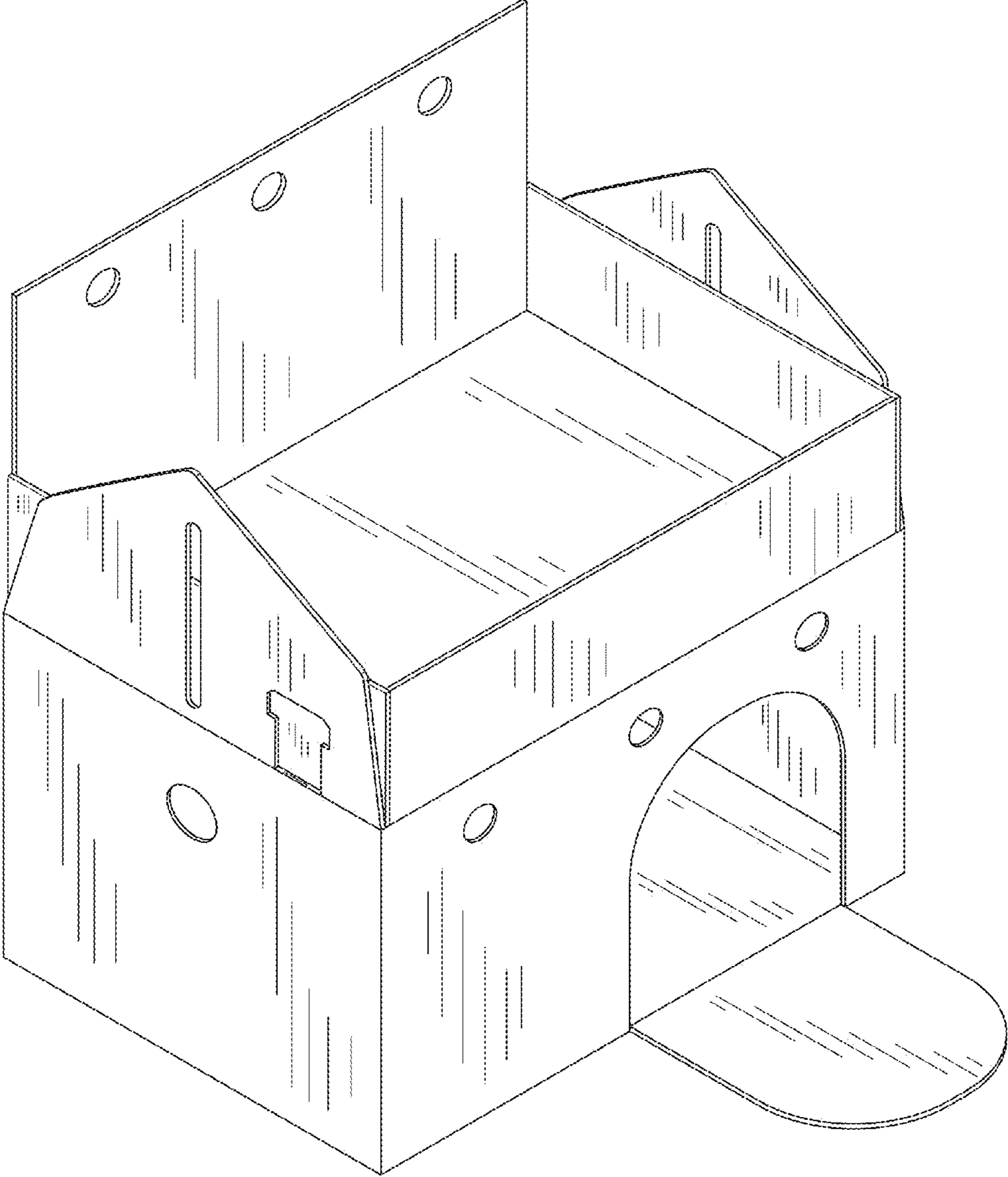


FIG.8

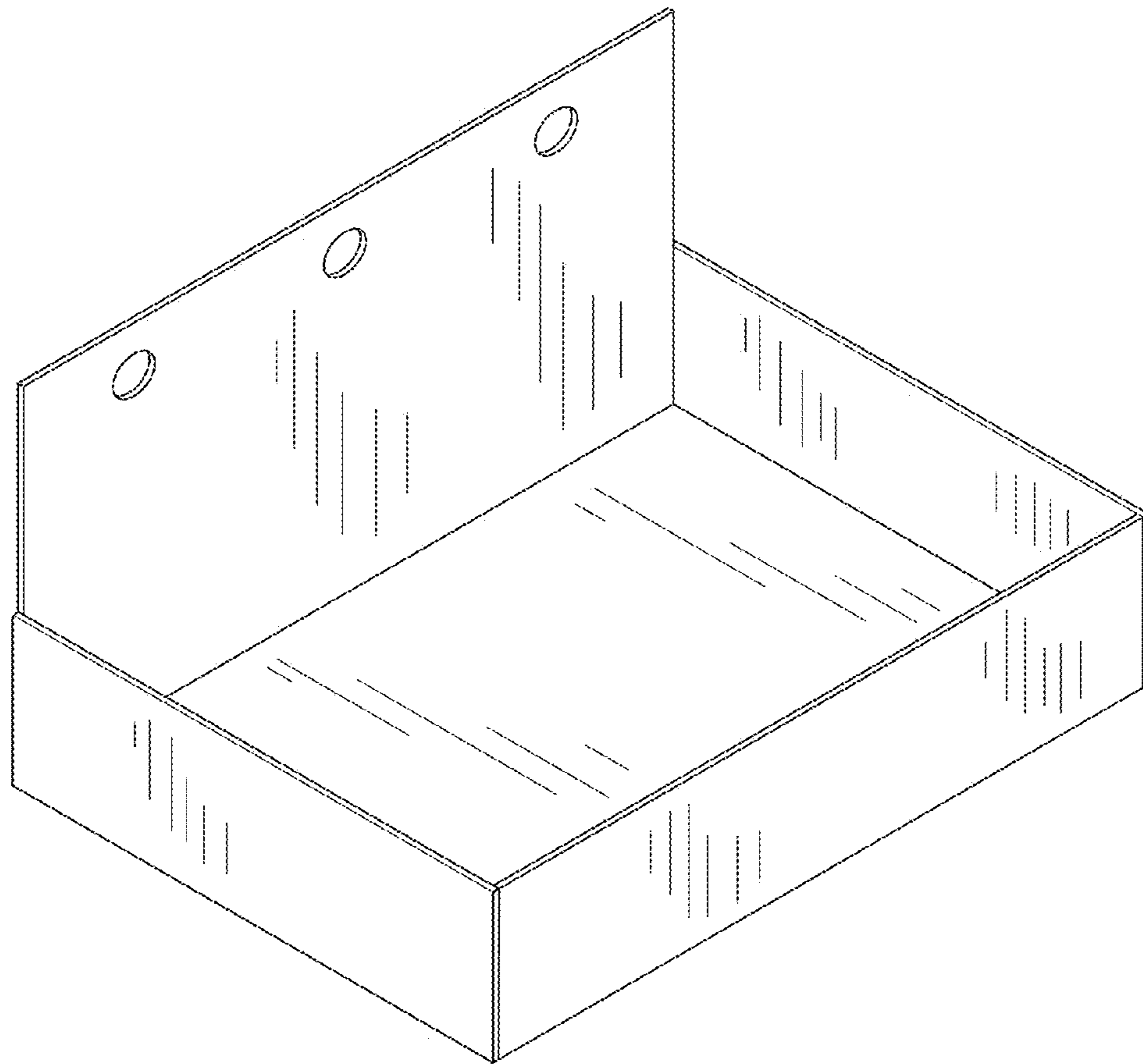


FIG.9