

US00D760442S

(12) **United States Design Patent**
Hill

(10) **Patent No.:** **US D760,442 S**
(45) **Date of Patent:** **** Jun. 28, 2016**

- (54) **ATTACHMENT FOR A HELMET**
- (71) Applicant: **Christian G. Hill**, Erie, CO (US)
- (72) Inventor: **Christian G. Hill**, Erie, CO (US)
- (**) Term: **14 Years**
- (21) Appl. No.: **29/499,886**
- (22) Filed: **Aug. 19, 2014**
- (51) **LOC (10) Cl.** **29-02**
- (52) **U.S. Cl.**
USPC **D29/122**
- (58) **Field of Classification Search**
USPC D29/100, 102-110, 122; D2/891, 893,
D2/894; D24/110.1, 110.2, 191; 2/410,
2/411, 412, 424, 425, 10, 15, 452, 454, 9,
2/206; 128/857, 858
CPC A42B 3/042; A42B 3/04
See application file for complete search history.

(56) **References Cited**

U.S. PATENT DOCUMENTS

D262,326 S *	12/1981	Lonnstedt	D29/122
5,471,678 A *	12/1995	Dor	A42B 3/042 2/422
5,658,065 A *	8/1997	Jamieson	A42B 3/04 2/422
D412,611 S *	8/1999	Simpson	D2/891
7,004,439 B1 *	2/2006	Taylor	A42B 3/04 248/548
D526,448 S *	8/2006	Rigler	D29/122
D530,044 S *	10/2006	Kalhok	D29/107
D561,922 S *	2/2008	Yan	D26/39
D675,789 S *	2/2013	Wanhainen	D29/122

* cited by examiner

Primary Examiner — Randall Gholson

(74) *Attorney, Agent, or Firm* — Shifrin Patent Law; Dan Shifrin

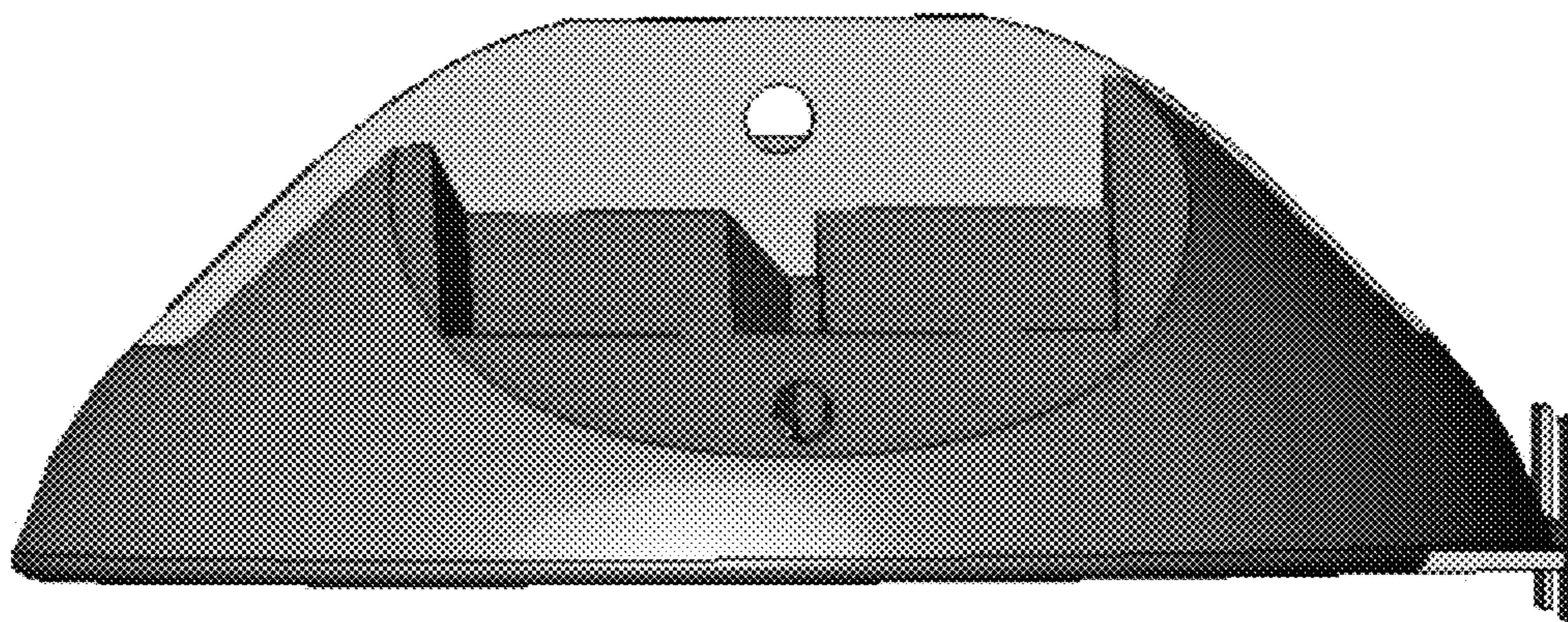
(57) **CLAIM**

The ornamental design for an attachment for a helmet, as substantially shown and described.

DESCRIPTION

FIG. 1 is a front elevation view of the attachment for a helmet of the present invention;
 FIG. 2 is a left-side elevation view of the attachment of the present invention;
 FIG. 3 is a right-side elevation view of the attachment of the present invention;
 FIG. 4 is a rear elevation view of the attachment of the present invention, the left side view being a mirror image thereof;
 FIG. 5 is a top elevation view of the attachment of the present invention;
 FIG. 6 is an elevation view of the concave bottom of the attachment of the present invention;
 FIG. 7 is a rear perspective view of the attachment of the present invention;
 FIG. 8 is a right-front perspective view of the attachment of the present invention;
 FIG. 9 is a left-rear perspective of the attachment of the present invention; and,
 FIG. 10 is a perspective view of the concave bottom of the attachment of the present invention.

1 Claim, 5 Drawing Sheets



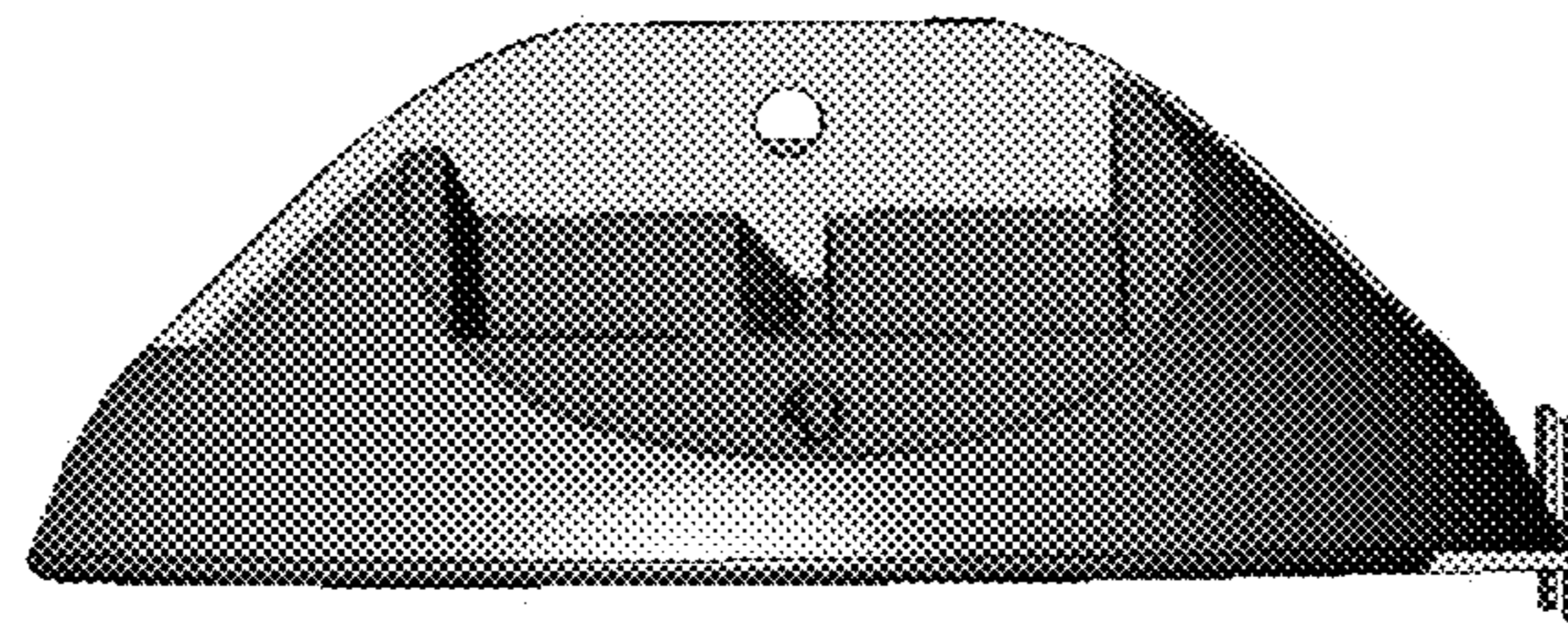


FIG. 1

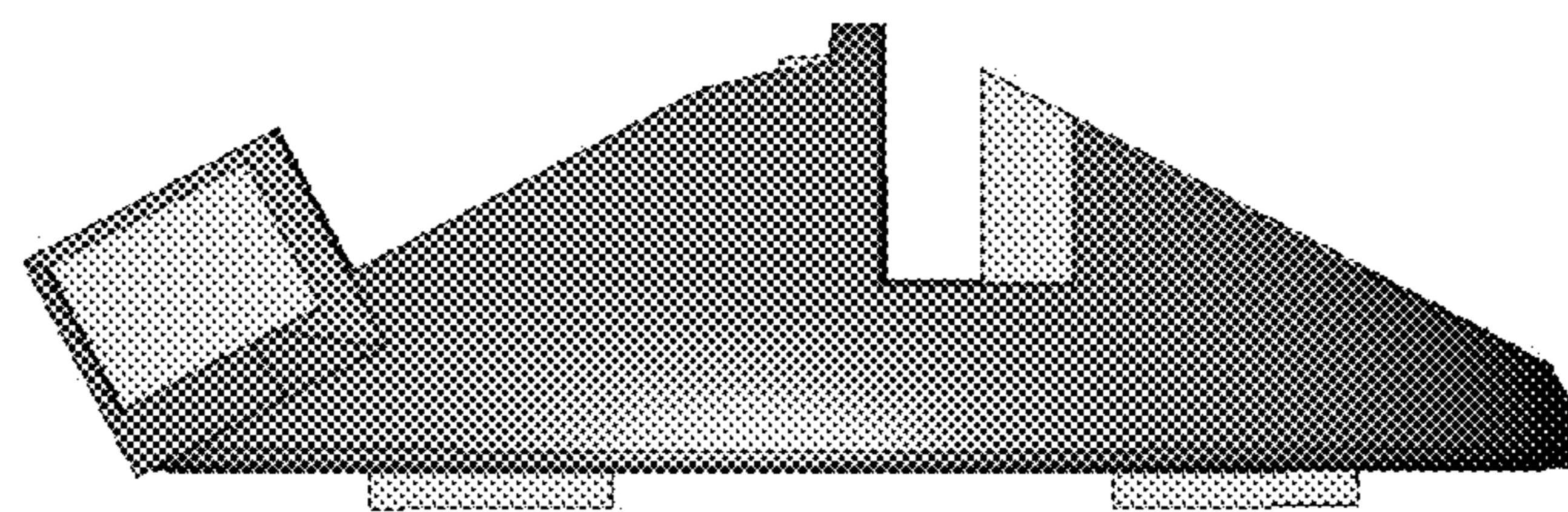


FIG. 2

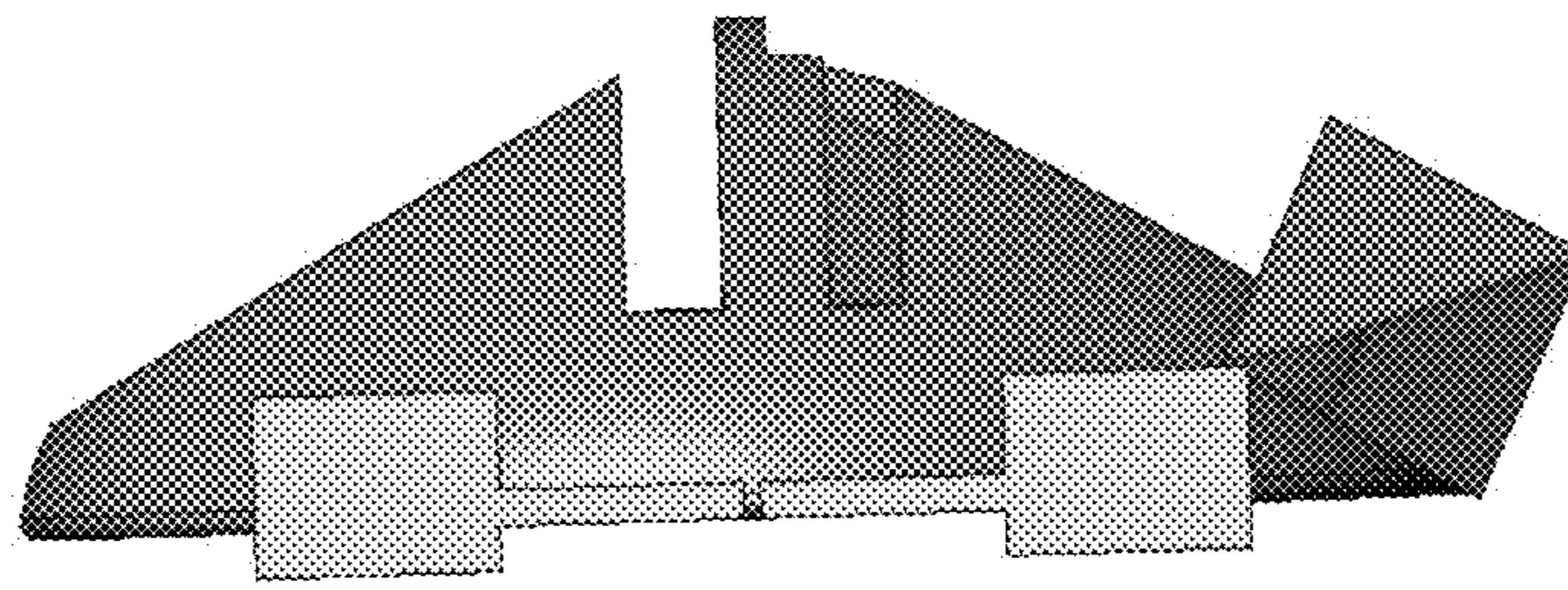


FIG. 3

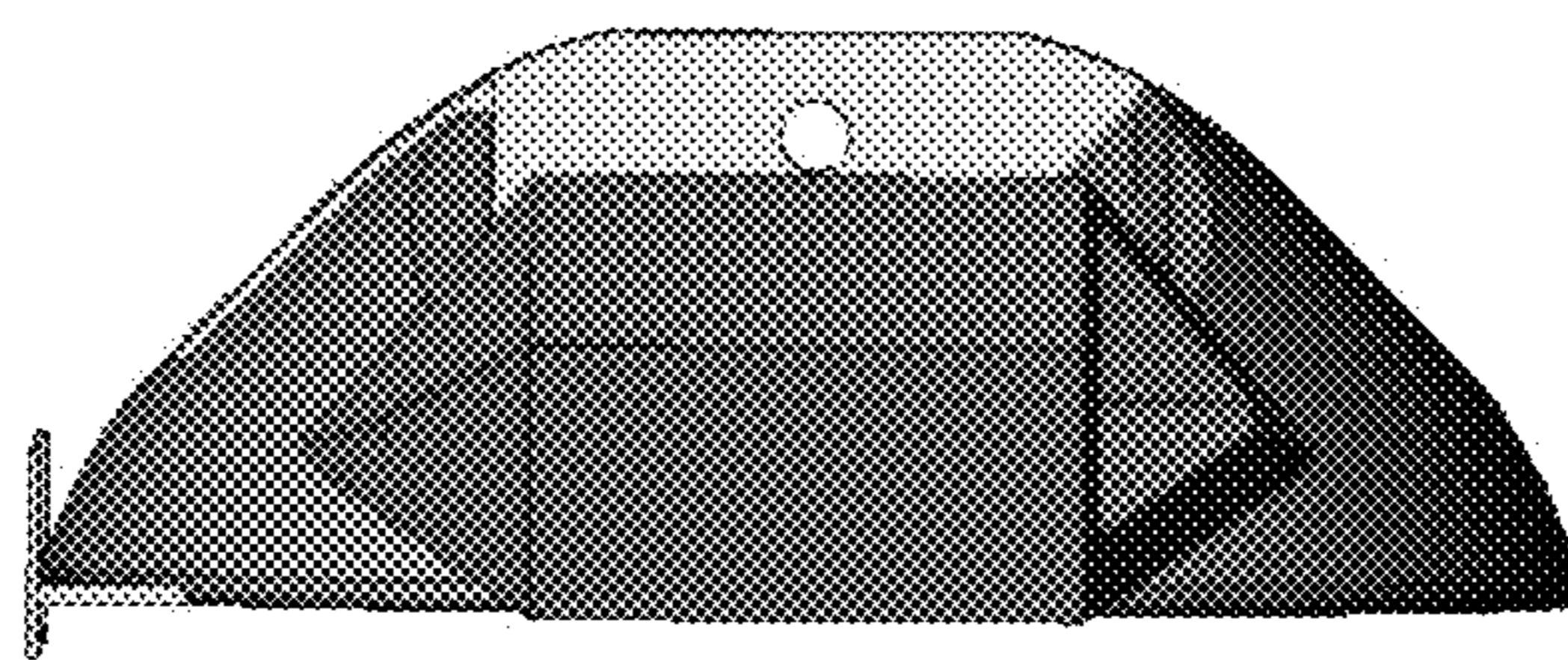


FIG. 4

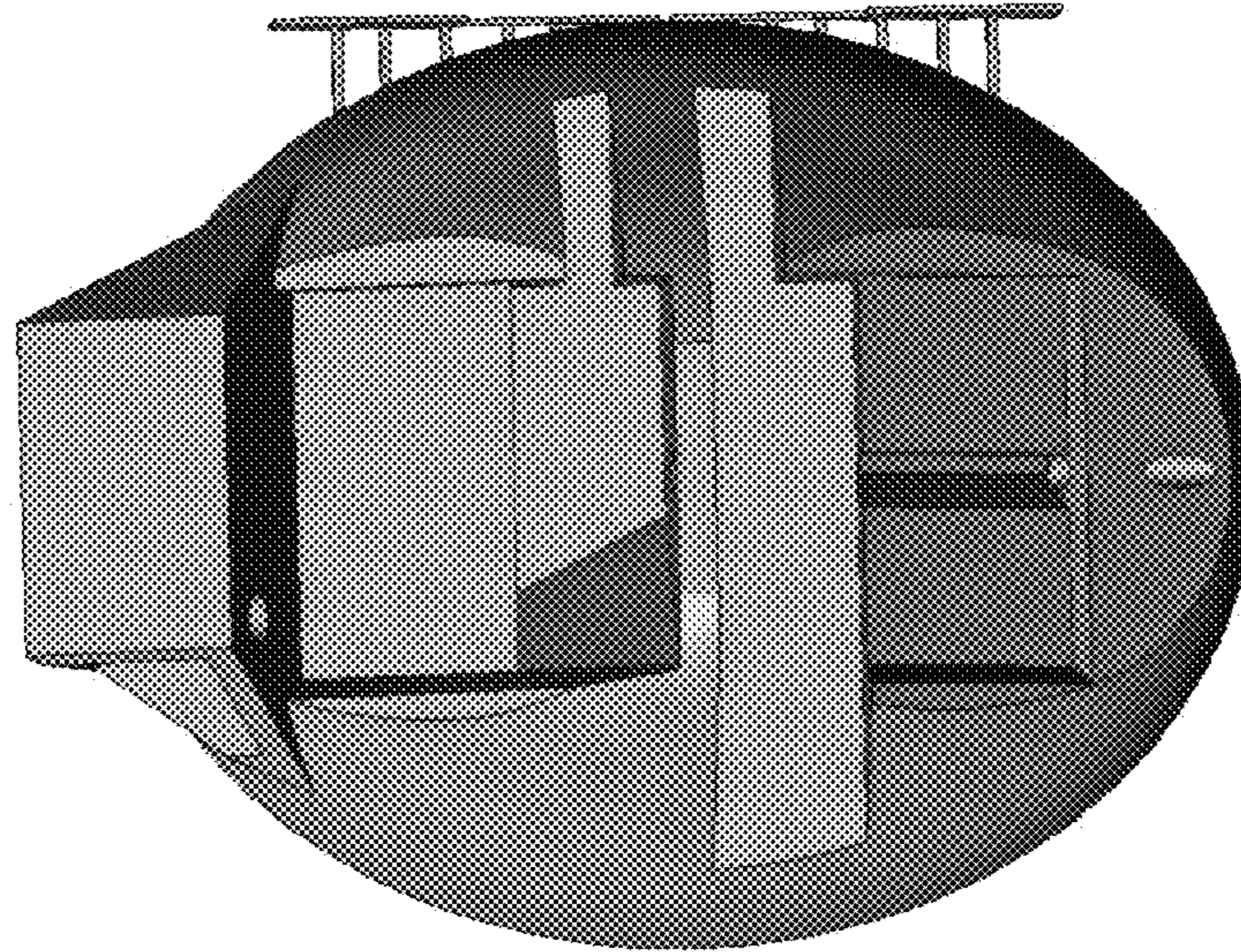


FIG. 5

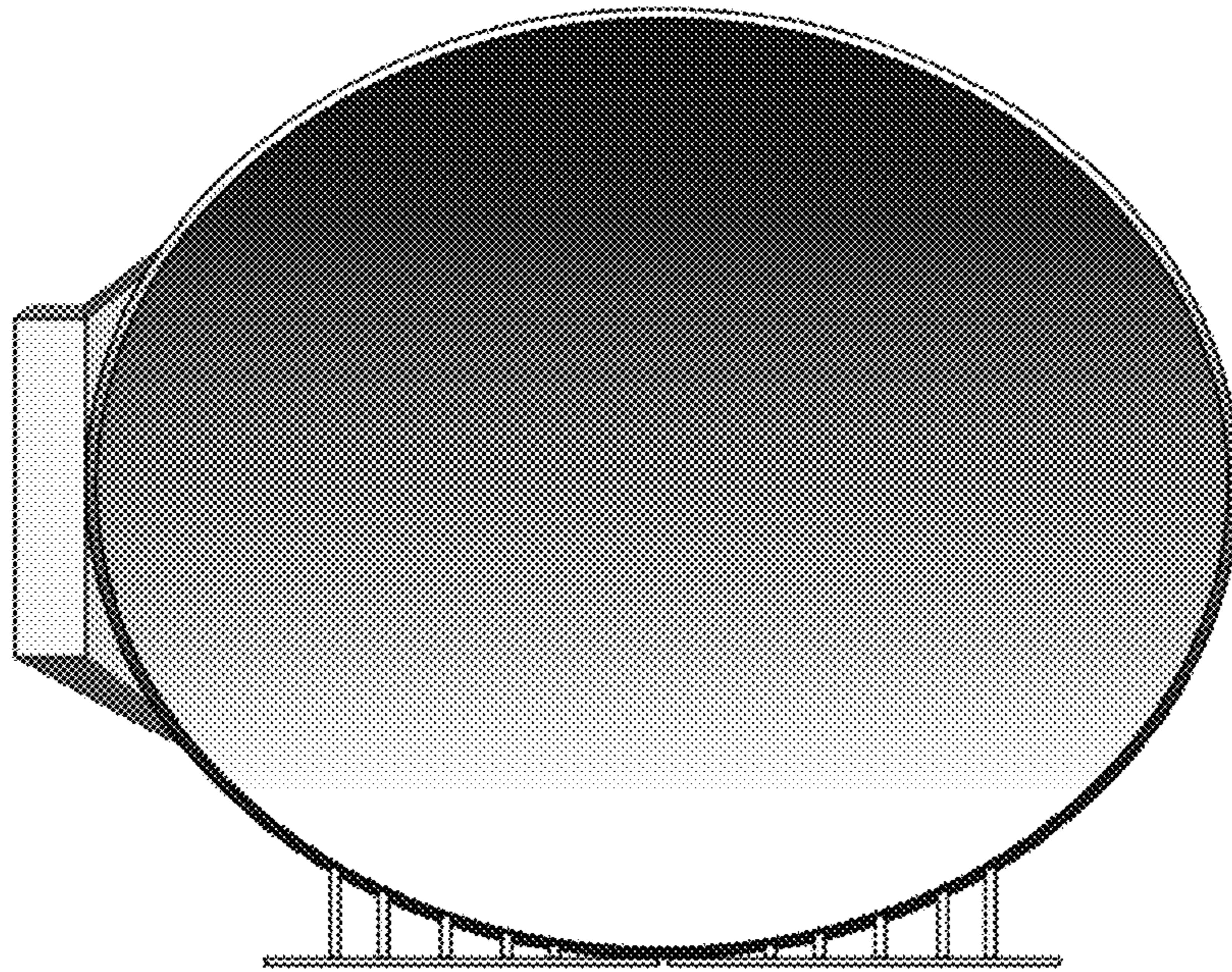


FIG. 6

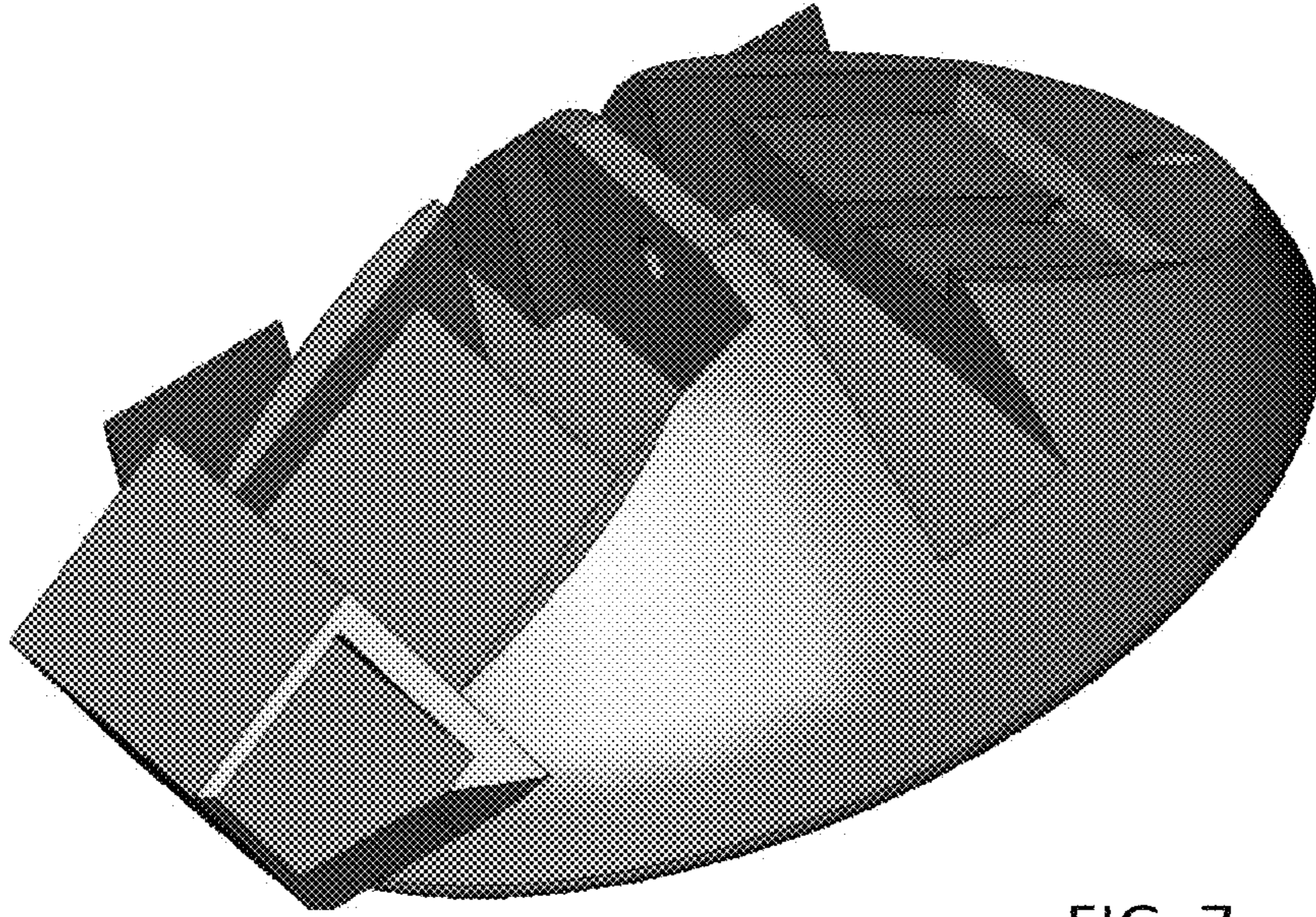


FIG. 7

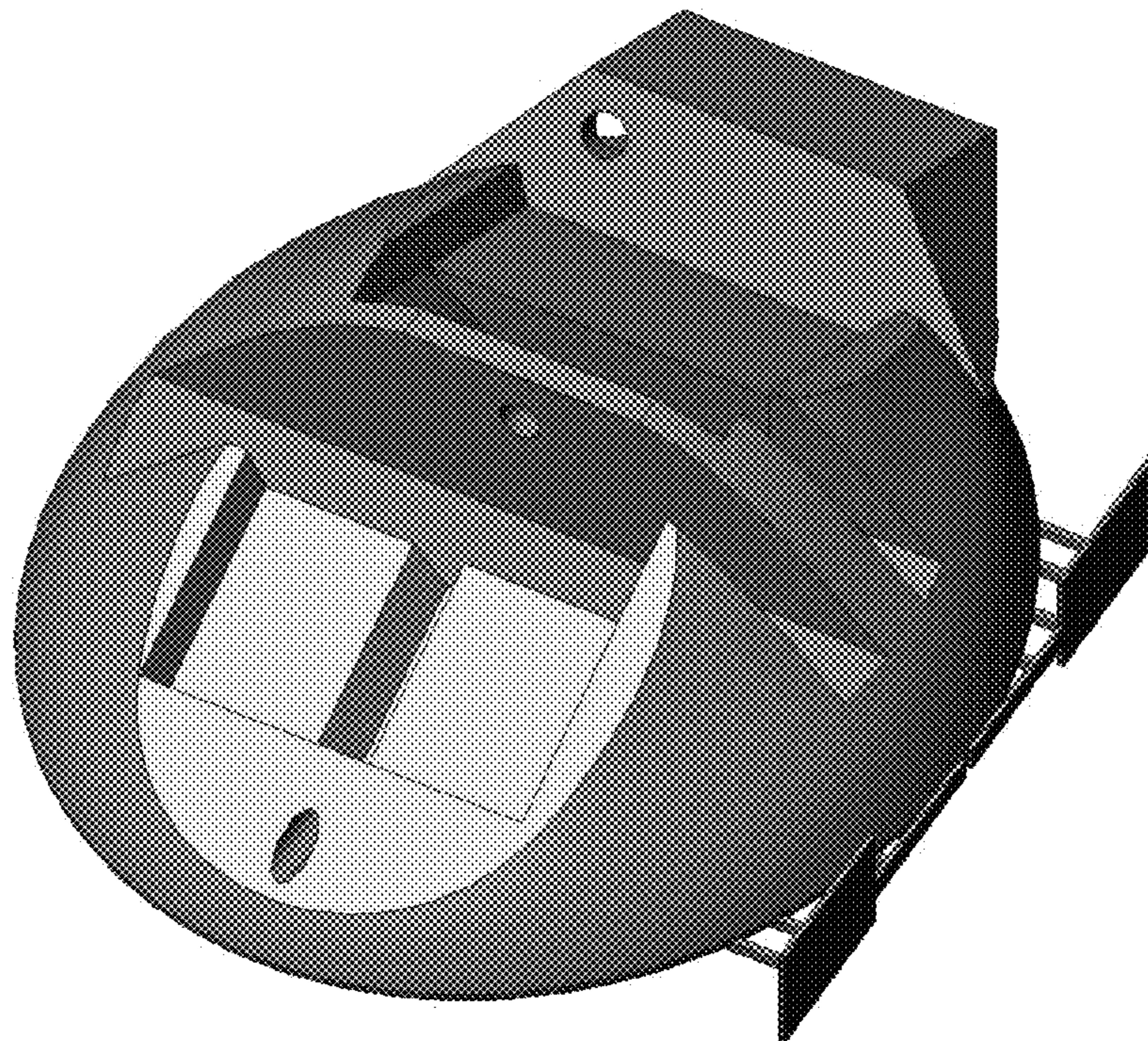


FIG. 8

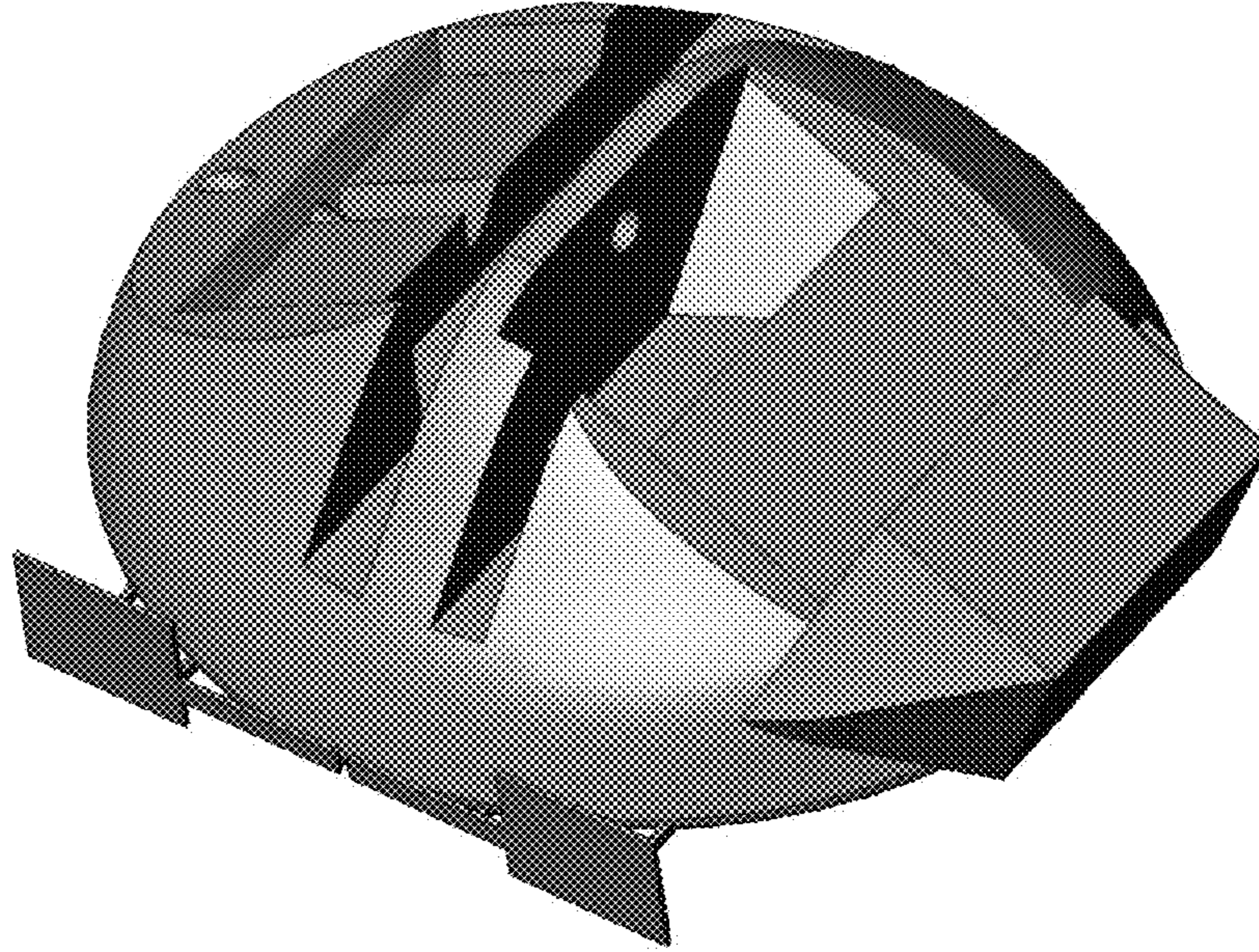


FIG. 9

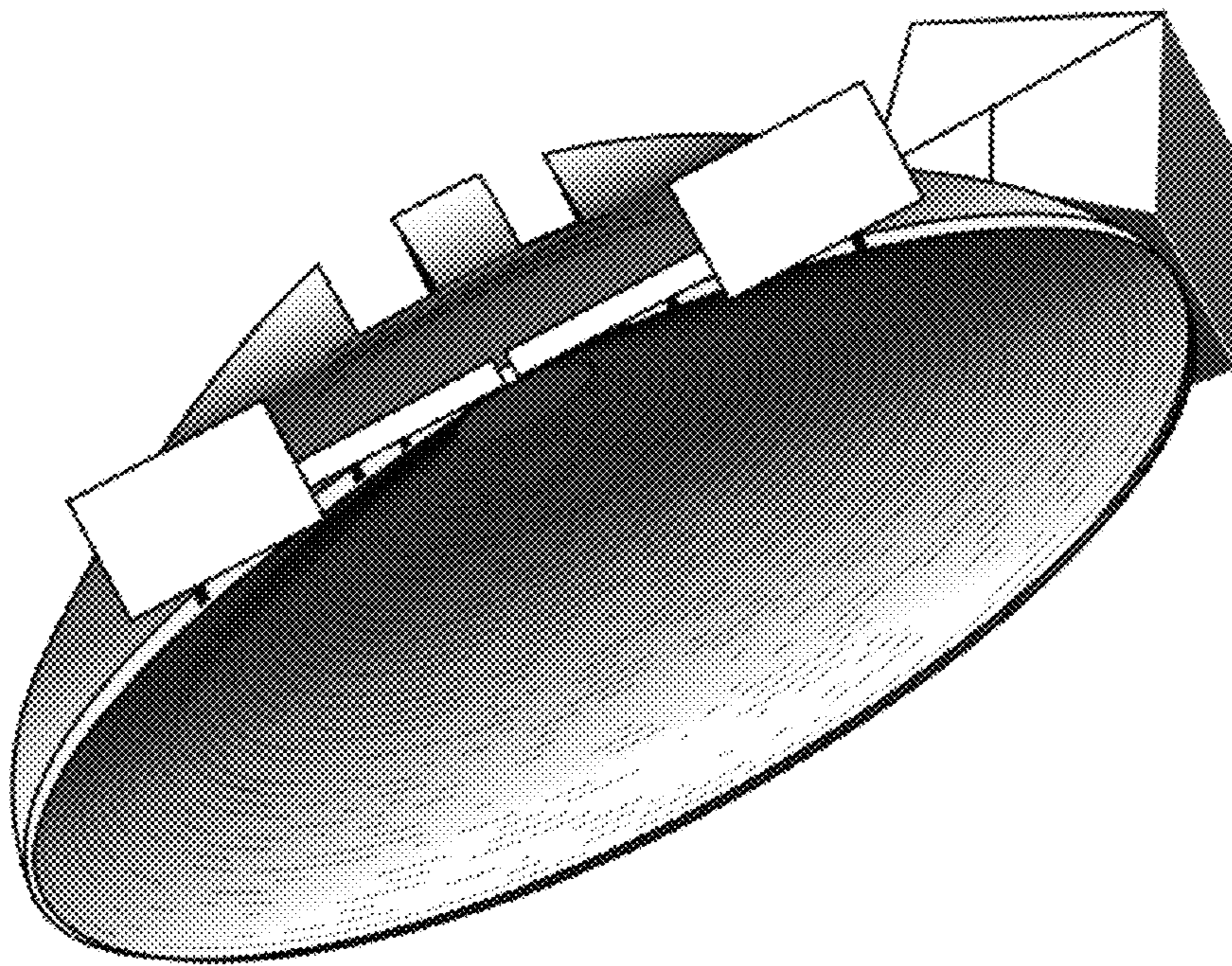


FIG. 10