



US00D760439S

(12) **United States Design Patent**
Goodman et al.

(10) **Patent No.:** **US D760,439 S**
(45) **Date of Patent:** **** Jun. 28, 2016**

(54) **STYLING STATION**

(71) Applicant: **Spectrum Diversified Designs, Inc.**,
Streetsboro, OH (US)

(72) Inventors: **Sheldon H. Goodman**, Solon, OH (US);
Phaysouk Xayoiphonh, Akron, OH
(US); **Courtney K. Wilson**, Chardon,
OH (US)

(73) Assignee: **Spectrum Diversified Designs, Inc.**,
Streetsboro, OH (US)

(**) Term: **14 Years**

(21) Appl. No.: **29/507,697**

(22) Filed: **Oct. 30, 2014**

(51) **LOC (10) Cl.** **28-03**

(52) **U.S. Cl.**
USPC **D28/73; D28/38**

(58) **Field of Classification Search**
USPC D28/73, 77, 38; D6/567, 566, 528, 531,
D6/527, 524, 525, 526, 537, 553, 513,
D6/562; D7/600.1-600.4, 704; D8/373,
D8/366, 352, 356, 376, 380; 248/317
CPC A45D 44/04; A45D 20/00; A45D 20/12;
A45D 2020/126; A45D 2020/128; A45D
44/02; A45D 2001/002; A45D 20/16; A47F
5/00; A47F 5/01; A47F 5/13
See application file for complete search history.

(56) **References Cited**

U.S. PATENT DOCUMENTS

D365,481 S * 12/1995 McKeon D6/513
D400,037 S * 10/1998 Bartholow D6/566
D430,441 S * 9/2000 Rosenberg D6/566
D470,394 S * 2/2003 Harwanko D8/372

D497,688 S * 10/2004 Issa D28/18
D499,286 S * 12/2004 Harwanko D6/514
D570,633 S * 6/2008 Goodman et al. D6/566
D666,858 S * 9/2012 Goodman D6/566
D677,089 S * 3/2013 Tawil D6/525
D700,453 S * 3/2014 Goodman et al. D6/566
D719,797 S * 12/2014 Puruganan D7/704
D723,834 S * 3/2015 Tawil D6/525
2007/0193969 A1* 8/2007 Albanese 211/85.2

OTHER PUBLICATIONS

Wayfair.com, "hair dryer" tagged items under All Bathroom Acces-
sories. Accessed Oct. 6, 2015. (<http://www.wayfair.com/filters/All-Bathroom-Accessories-I363-c1773103-q-hair+dryer.html>).*
Google.com. Image search "hanging blow dryer holder hooks", date
restricted to results prior to Oct. 30, 2013. Accessed Oct. 7, 2015.*

* cited by examiner

Primary Examiner — Jennifer Rivard

Assistant Examiner — April Rivas

(74) *Attorney, Agent, or Firm* — Benesch Friedlander
Coplan & Aronoff, LLP

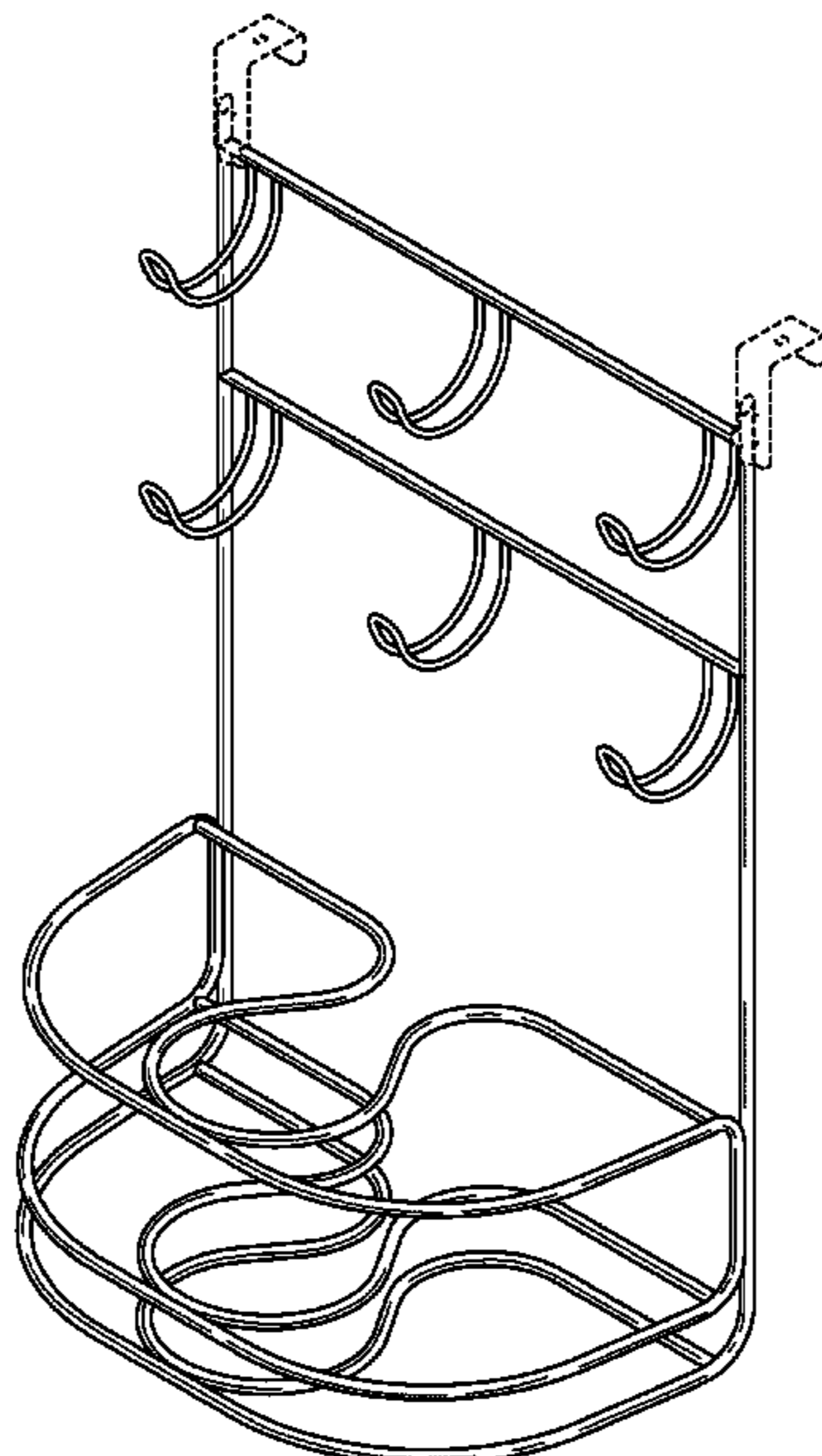
(57) **CLAIM**

What is claimed is the ornamental design for a styling station,
as shown and described.

DESCRIPTION

FIG. 1 is a perspective view of a styling station showing a new
design;
FIG. 2 is a front view of the styling station of FIG. 1;
FIG. 3 is a rear view of the styling station of FIG. 1;
FIG. 4 is a side view of the styling station of FIG. 1;
FIG. 5 is a top view of the styling station of FIG. 1; and,
FIG. 6 is a bottom view of the styling station of FIG. 1.
The broken lines illustrate portions of the styling station and
form no part of the claimed design.

1 Claim, 5 Drawing Sheets



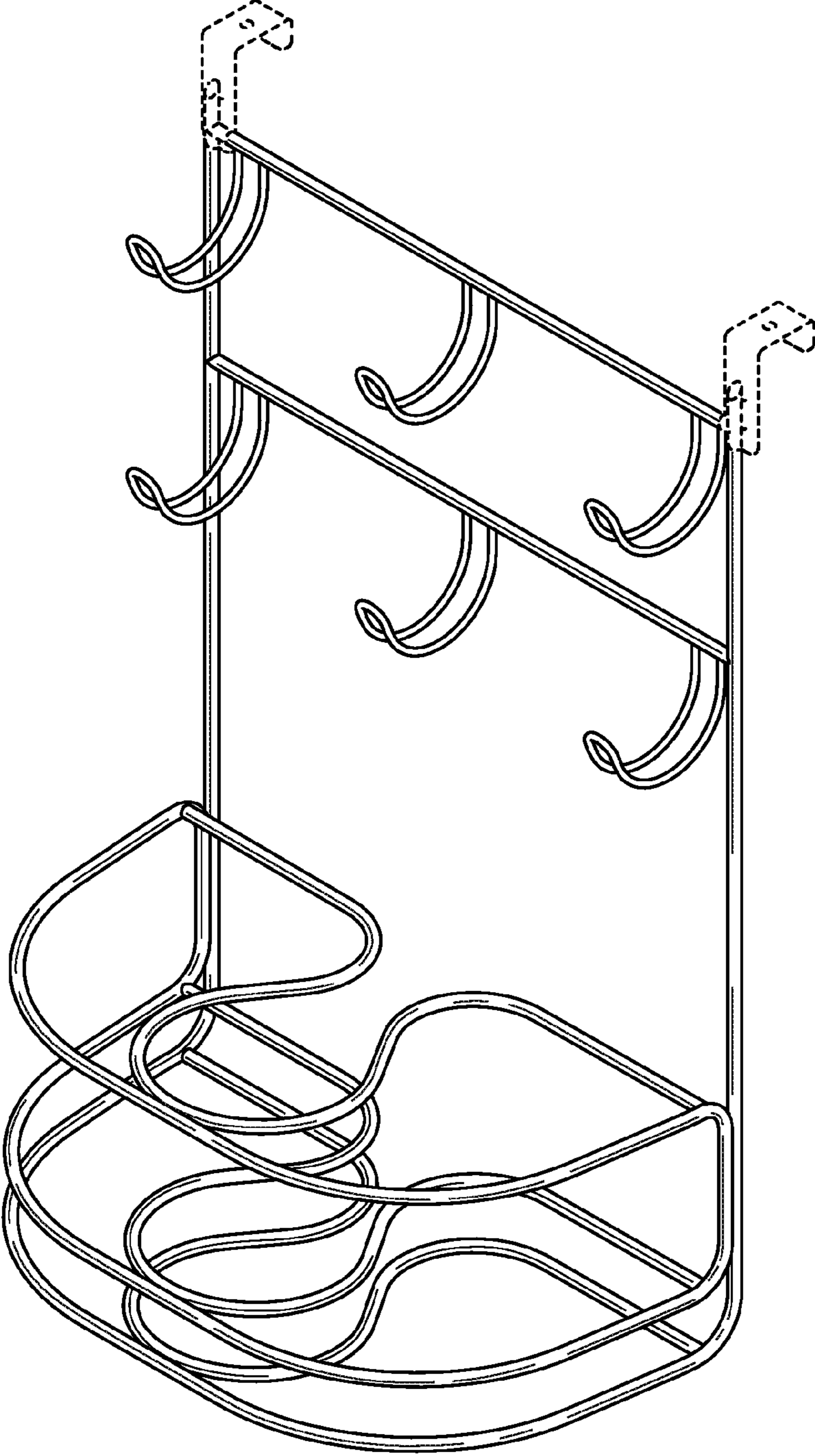


FIG. 1

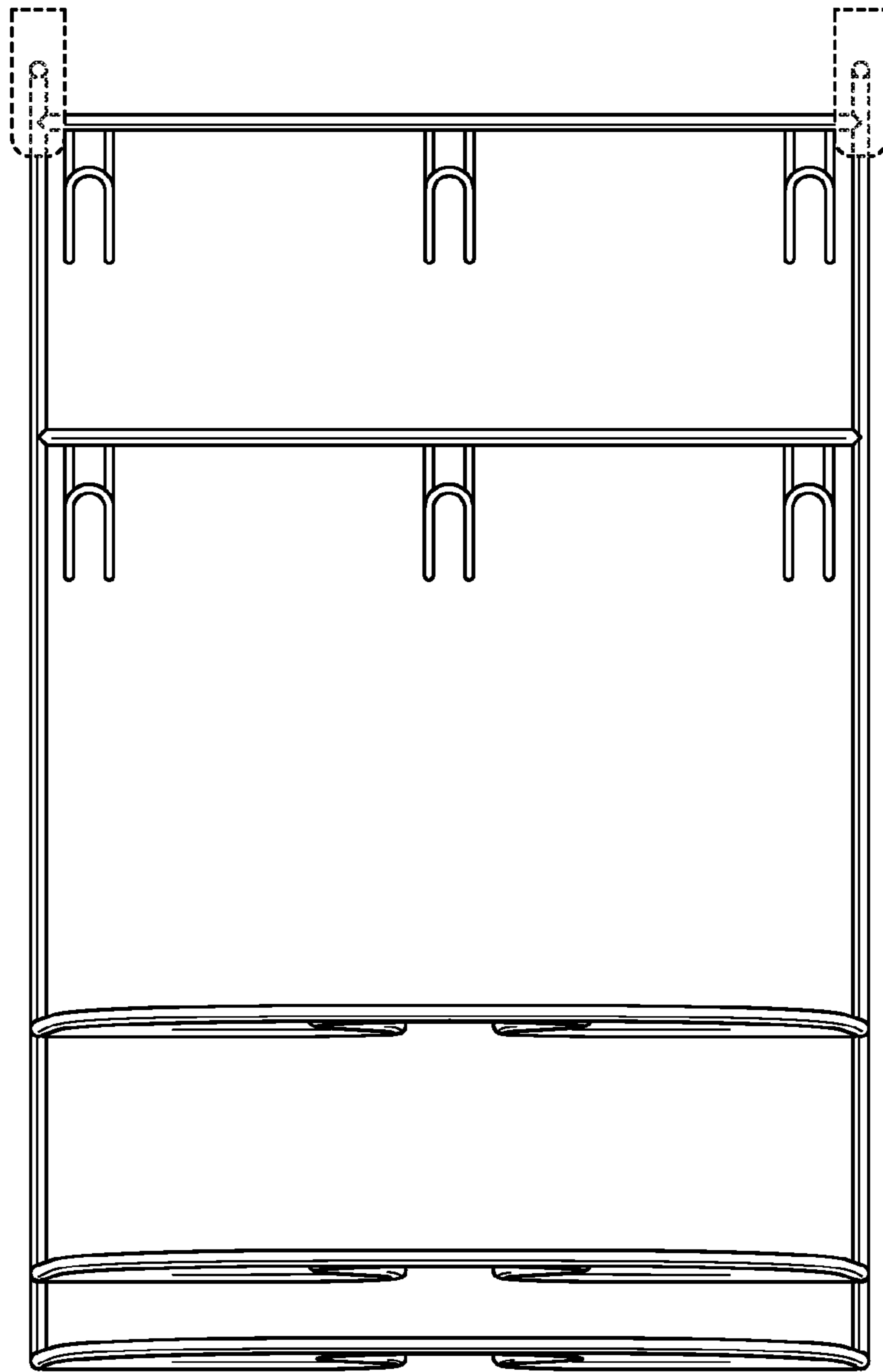


FIG. 2

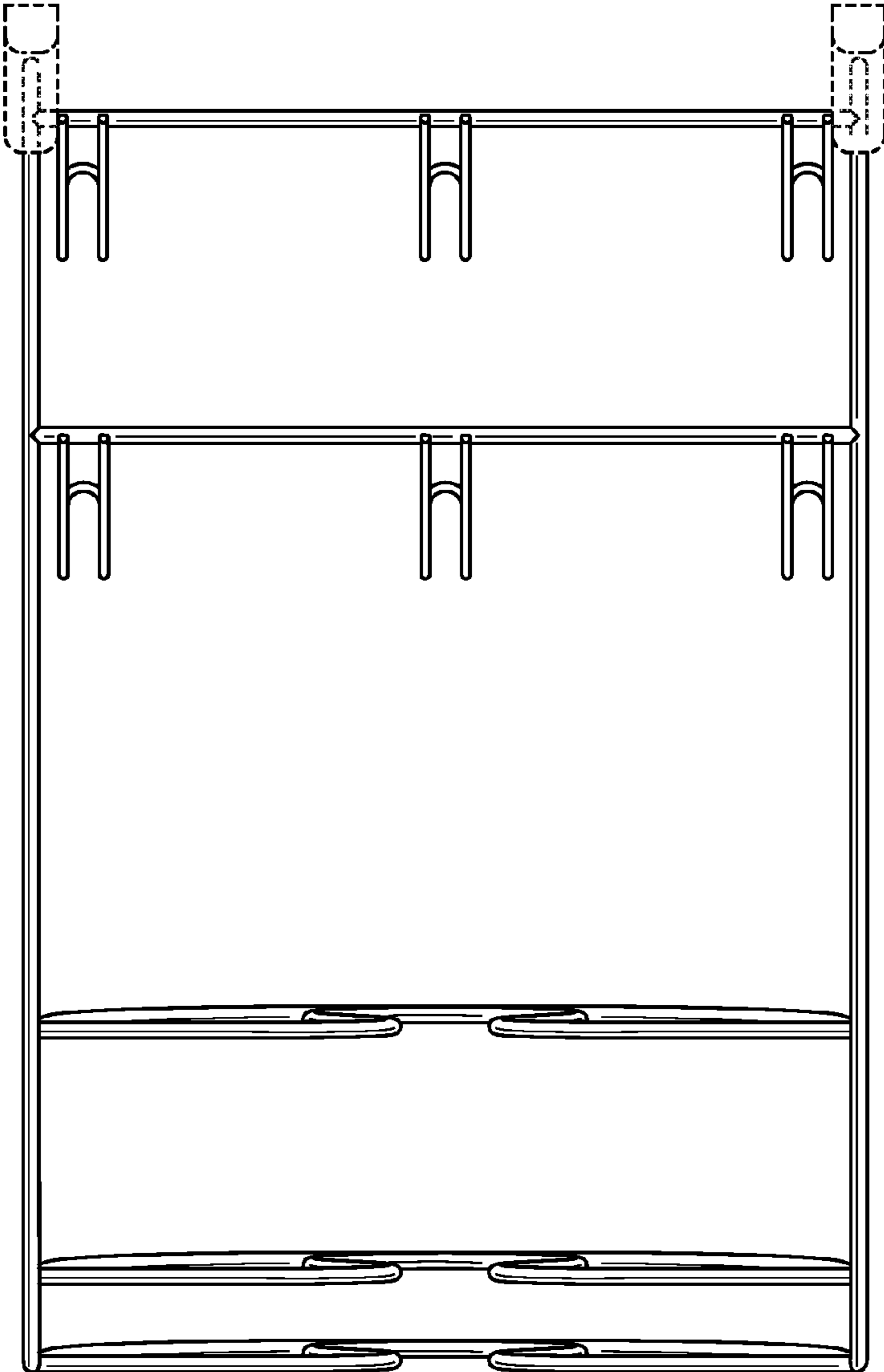


FIG. 3

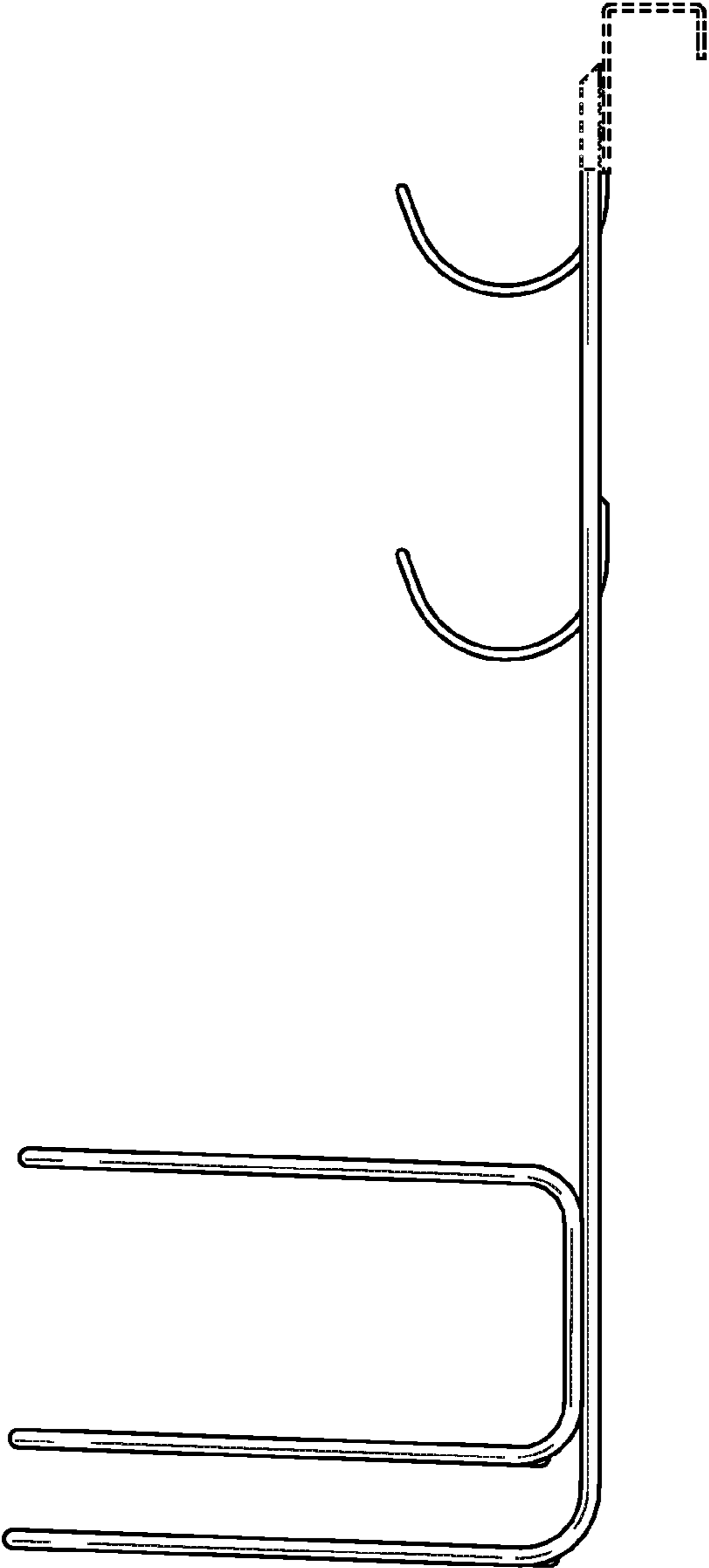


FIG. 4

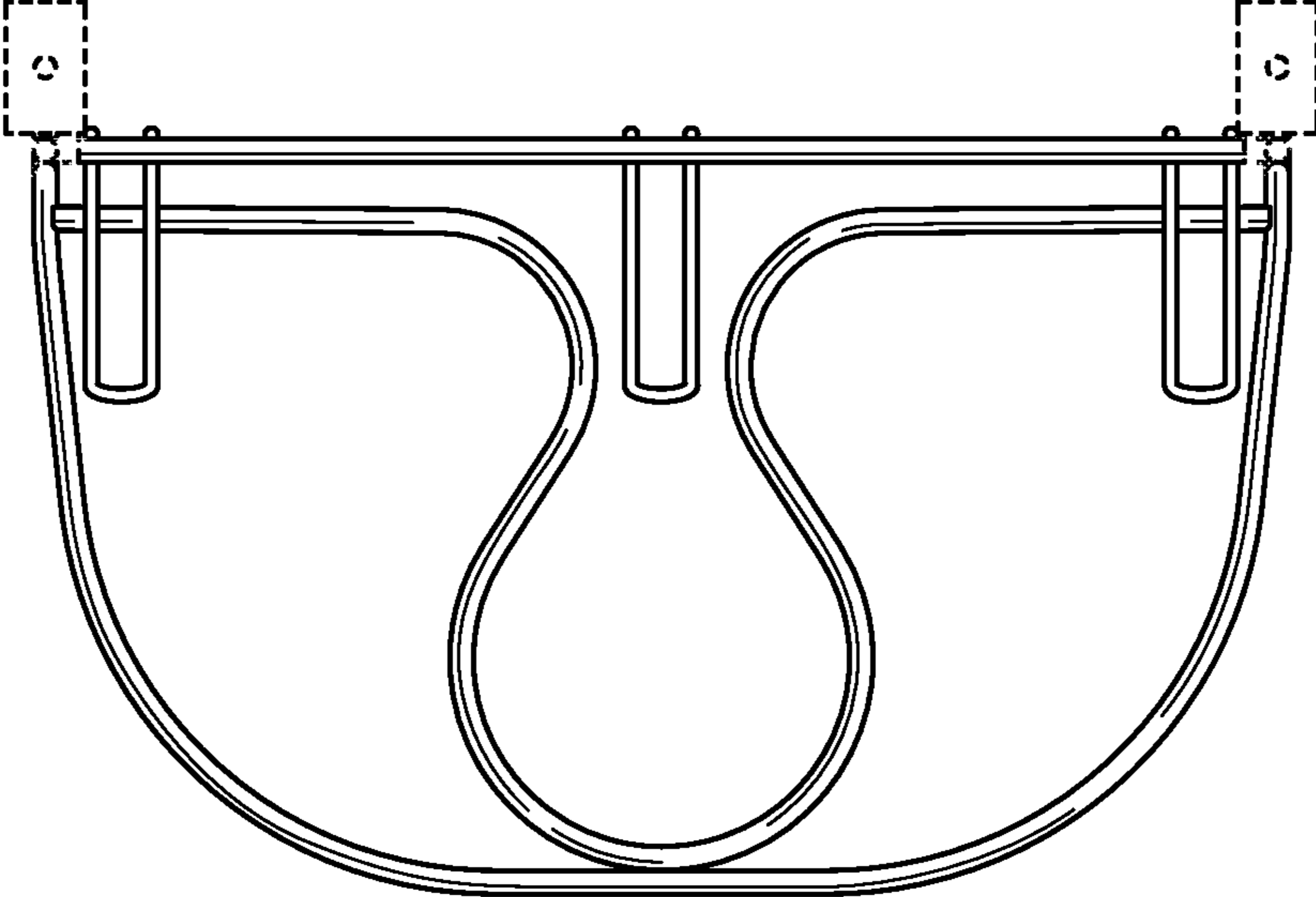


FIG. 5

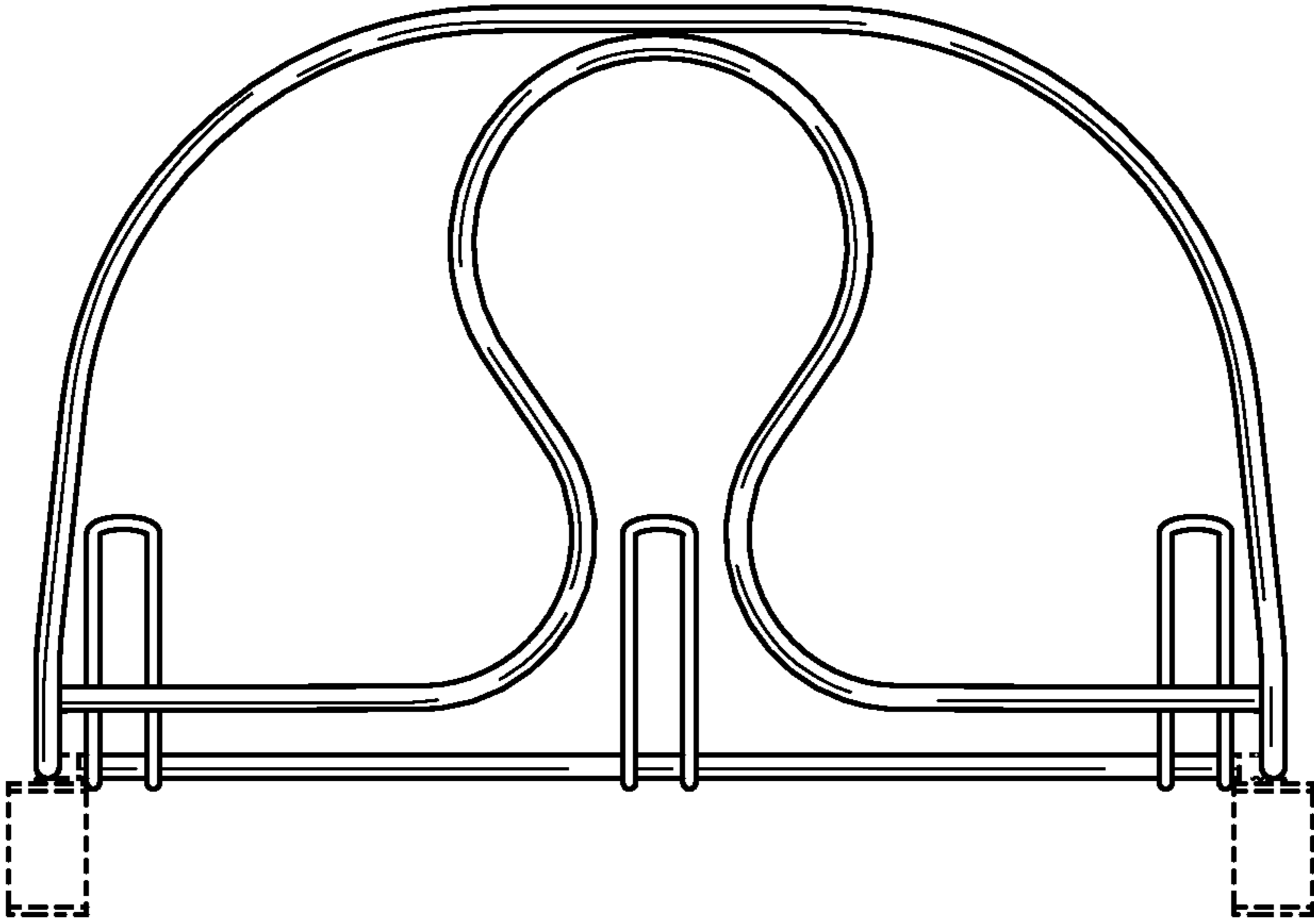


FIG. 6