



US00D760434S

(12) **United States Design Patent**  
**Schmaelzle et al.**

(10) **Patent No.:** **US D760,434 S**  
(45) **Date of Patent:** **\*\* Jun. 28, 2016**

(54) **CAPSULE CONTAINING WASHING PRODUCTS**

(71) Applicant: **Reckitt Benckiser (Brands) Limited**,  
Berkshire (GB)

(72) Inventors: **Claudia Schmaelzle**, Ludwigshafen  
(DE); **Pavlinka Roy**, Ludwigshafen  
(DE)

(73) Assignee: **RECKITT BENCKISER (BRANDS) LIMITED**, Berkshire (GB)

(\*\*) Term: **14 Years**

(21) Appl. No.: **29/521,740**

(22) Filed: **Mar. 26, 2015**

(30) **Foreign Application Priority Data**

Oct. 7, 2014 (EM) ..... 002552489-0004

(51) **LOC (10) Cl.** ..... **28-02**

(52) **U.S. Cl.**  
USPC ..... **D28/8.1; D9/425**

(58) **Field of Classification Search**  
USPC ..... D28/8.1-8.2, 4; D9/425, 702, 707, 418,  
D9/428  
CPC ..... C11D 17/04-17/045; C11D  
17/0047-17/0091; C11D 17/0095; C11D  
17/00

See application file for complete search history.

(56) **References Cited**

**U.S. PATENT DOCUMENTS**

D486,733 S \* 2/2004 Murning ..... D28/8.1  
D524,479 S \* 7/2006 Bourgoin ..... D28/8.1  
D562,496 S \* 2/2008 Wiedemann ..... D28/8.1  
D563,598 S \* 3/2008 Wiedemann ..... D28/8.1  
D565,242 S \* 3/2008 Wiedemann ..... D28/8.1  
D566,894 S \* 4/2008 Wiedemann ..... D28/8.1  
D567,998 S \* 4/2008 Wiedemann ..... D28/8.1

D652,165 S \* 1/2012 Gordon ..... D28/8.1  
D663,894 S \* 7/2012 Davanzo ..... D28/8.1  
D680,268 S \* 4/2013 Drought ..... D28/8.1  
D680,269 S \* 4/2013 Drought ..... D28/8.1  
D680,686 S \* 4/2013 Drought ..... D28/8.1  
D680,687 S \* 4/2013 Drought ..... D28/8.1  
D687,182 S \* 7/2013 Gordon ..... D28/8.1  
D690,465 S \* 9/2013 Dietvorst ..... D28/8.1  
D690,878 S \* 10/2013 Dietvorst ..... D28/8.1  
D692,180 S \* 10/2013 Dietvorst ..... D28/8.1

(Continued)

**OTHER PUBLICATIONS**

Calgonit-www.aquelereclaimedatv.com-detergent tablet, www.youtube.com, uploaded on Sep. 7, 2008.\*

(Continued)

*Primary Examiner* — Jennifer Rivard

(74) *Attorney, Agent, or Firm* — Troutman Sanders LLP;  
Ryan A. Schneider; Alexis N. Simpson

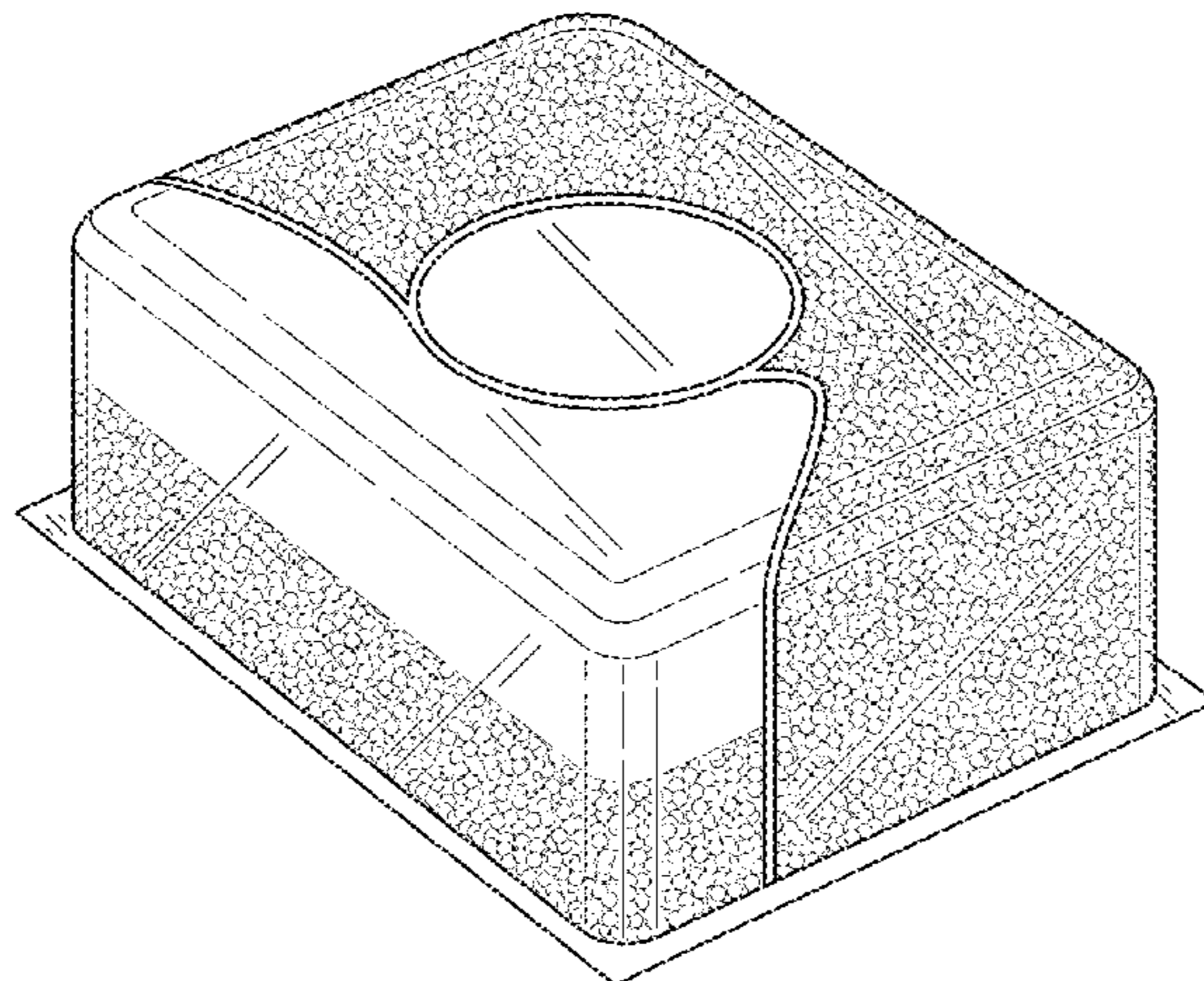
(57) **CLAIM**

The ornamental design for capsule containing washing products, as shown and described.

**DESCRIPTION**

FIG. 1 is an isometric view of a capsule containing washing products of the present invention;  
FIG. 2 is a front view of the capsule containing washing products of FIG. 1;  
FIG. 3 is a back view of the capsule containing washing products of FIG. 1;  
FIG. 4 is a side view of the capsule containing washing products of FIG. 1;  
FIG. 5 is the other side view of the capsule containing washing products of FIG. 1;  
FIG. 6 is a top view of the capsule containing washing products of FIG. 1; and,  
FIG. 7 is a bottom view of the capsule containing washing products of FIG. 1.

**1 Claim, 4 Drawing Sheets**



(56)

**References Cited**

2014/0235522 A1\* 8/2014 Wiedemann ..... B65B 9/042  
510/220

U.S. PATENT DOCUMENTS

D695,451 S \* 12/2013 Gerhards ..... D28/8.1  
D735,407 S \* 7/2015 Gerhards ..... D28/8.1  
2010/0021534 A1\* 1/2010 Duffield ..... A61J 3/071  
424/451

OTHER PUBLICATIONS

Finish powerball with power gel, Google internet search, date  
restricted to before Oct. 6, 2013, 1 page.\*

\* cited by examiner

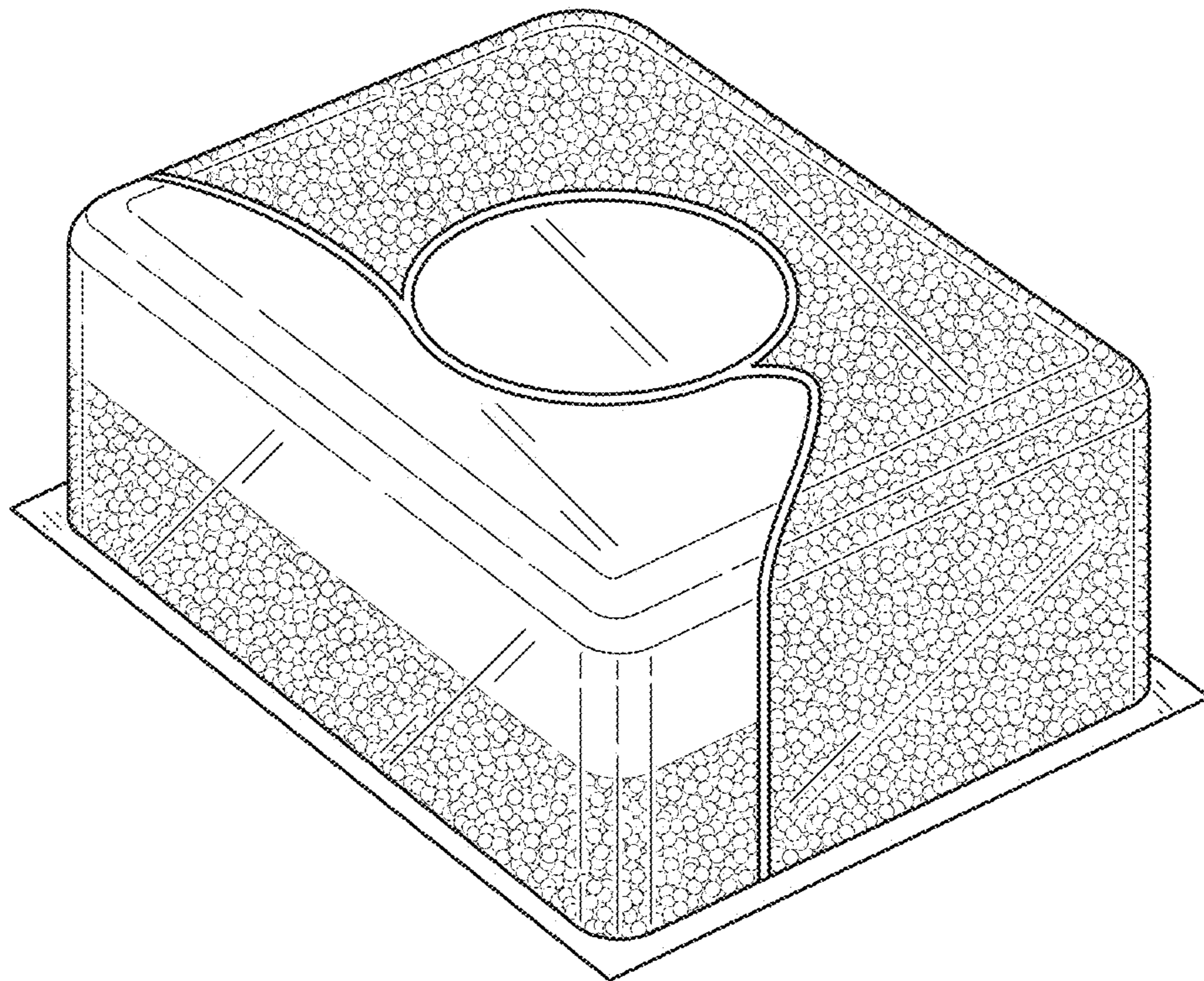


Fig. 1

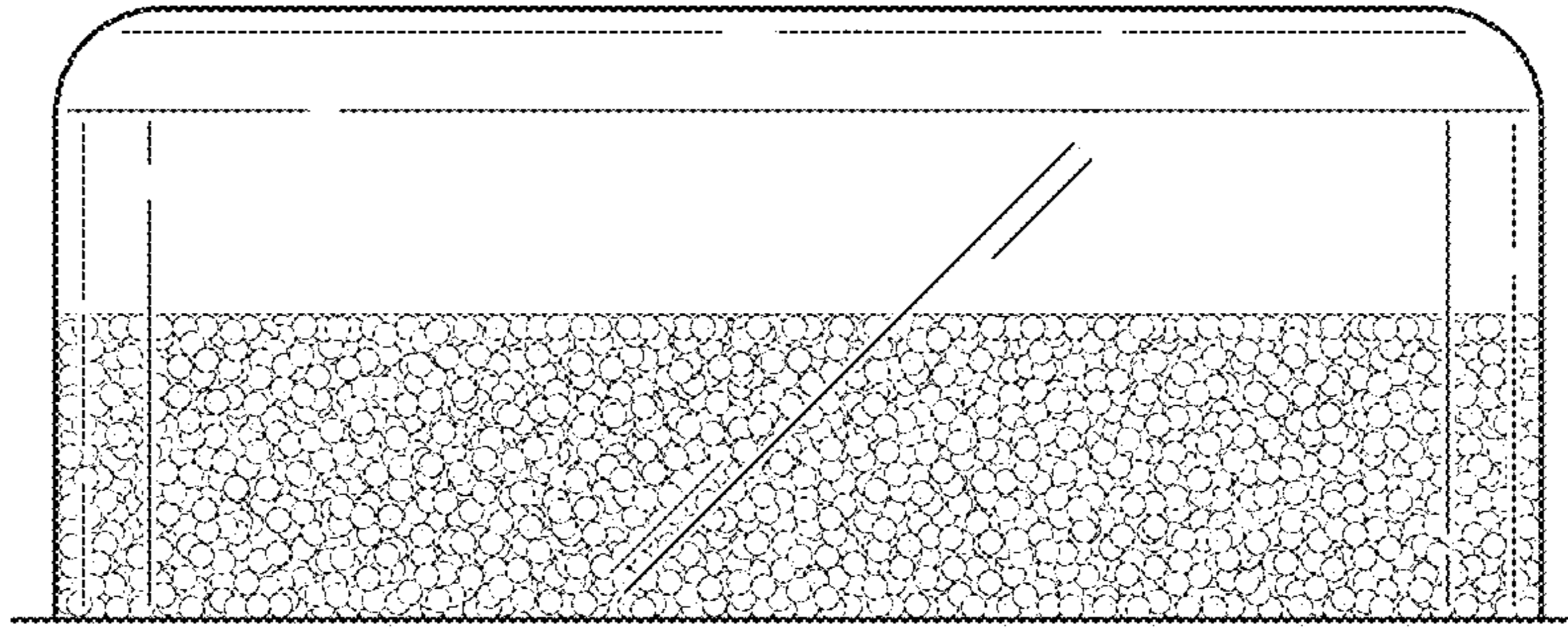


Fig. 2

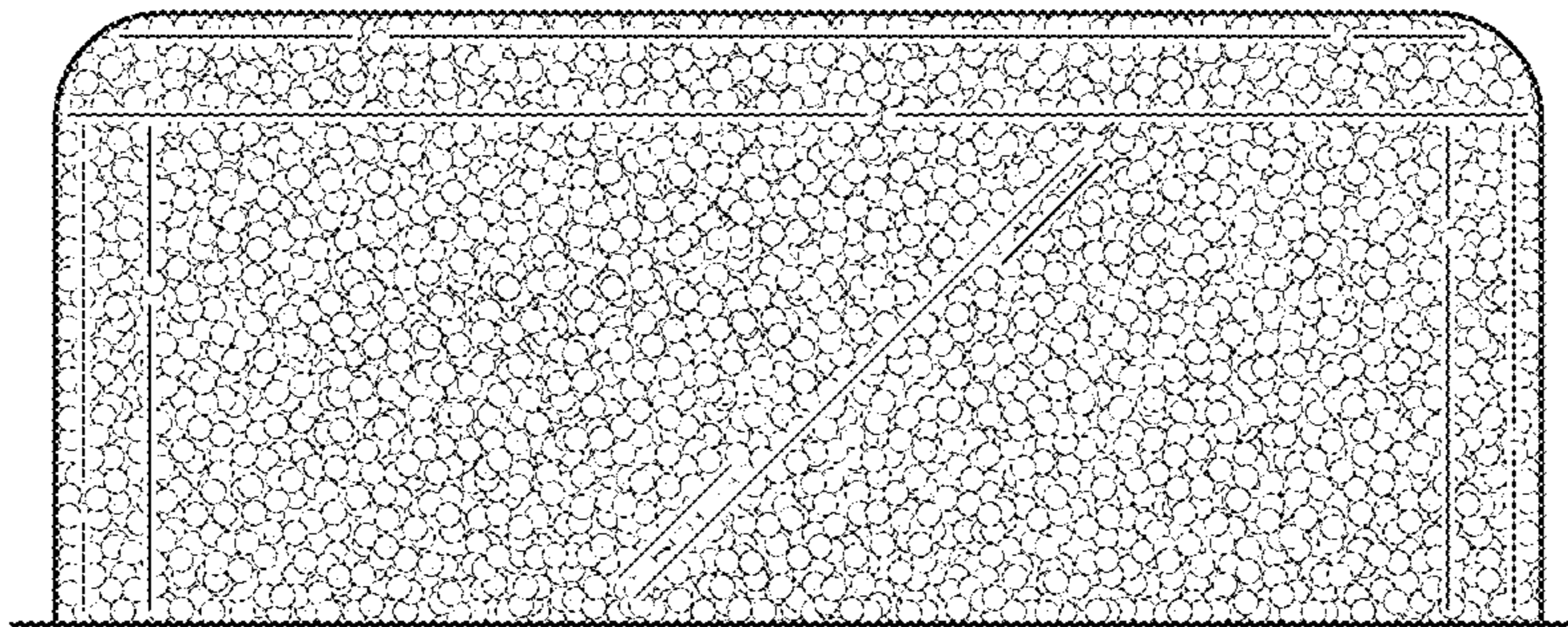


Fig. 3

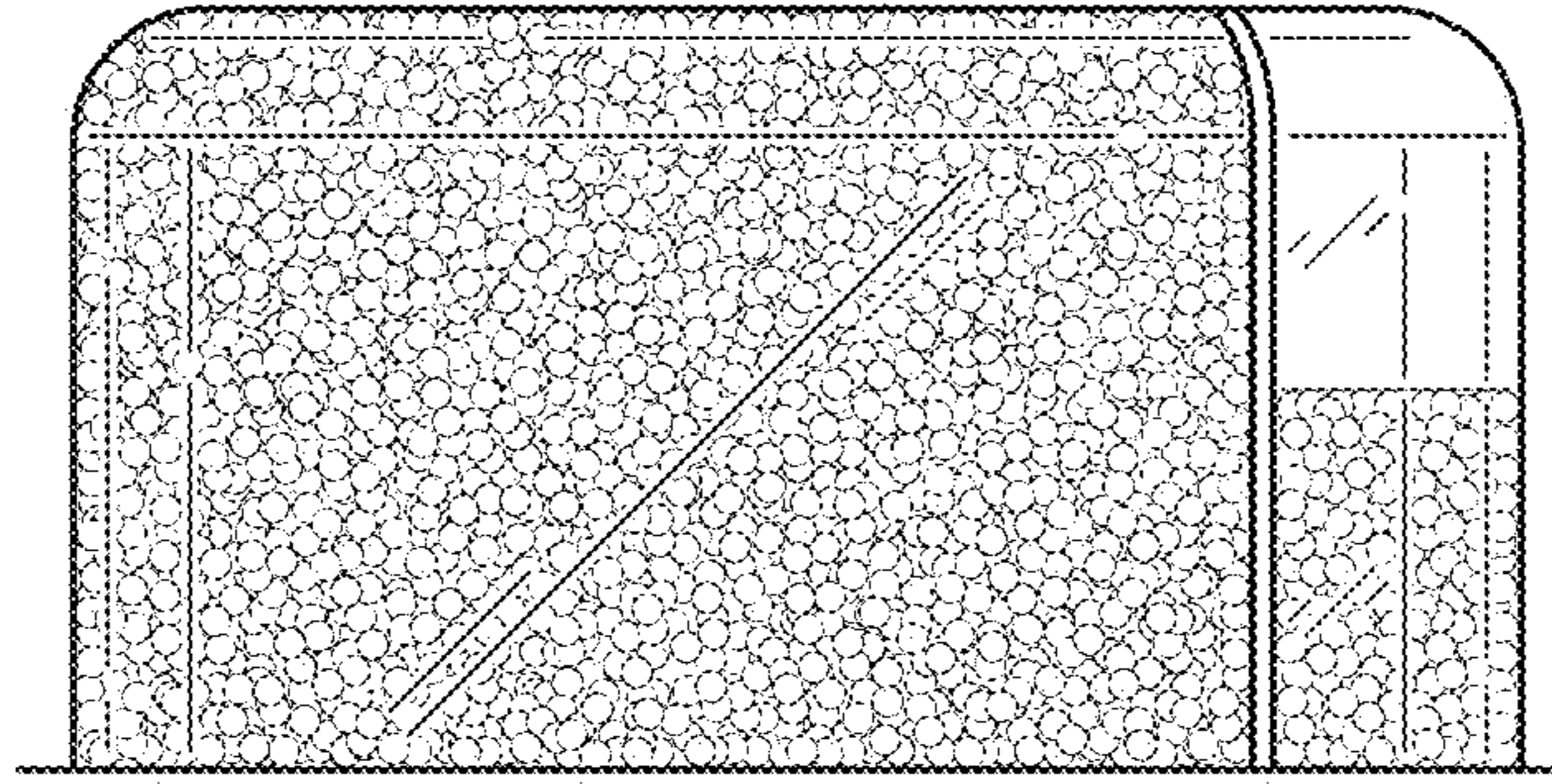


Fig. 4

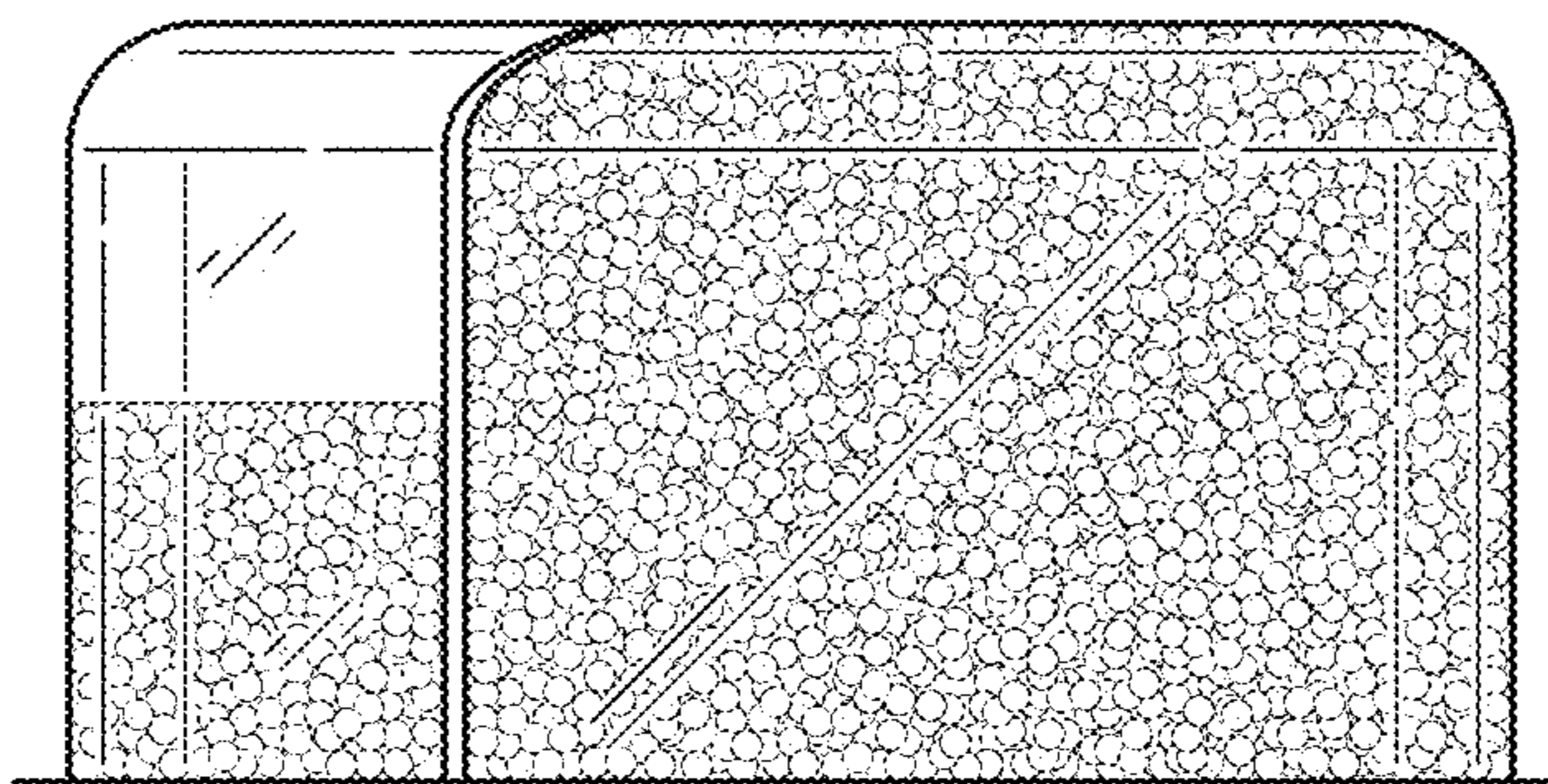


Fig. 5

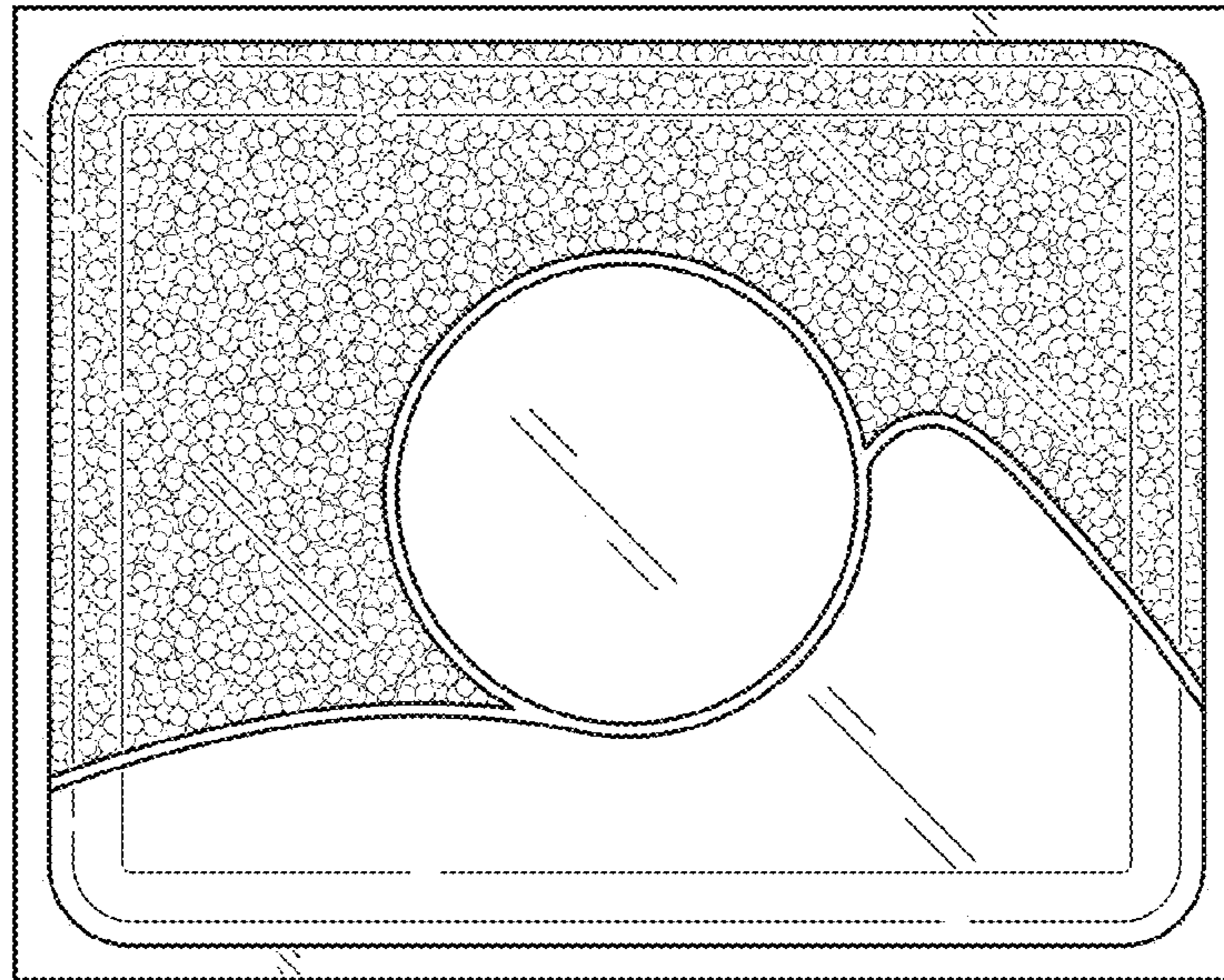


Fig. 6

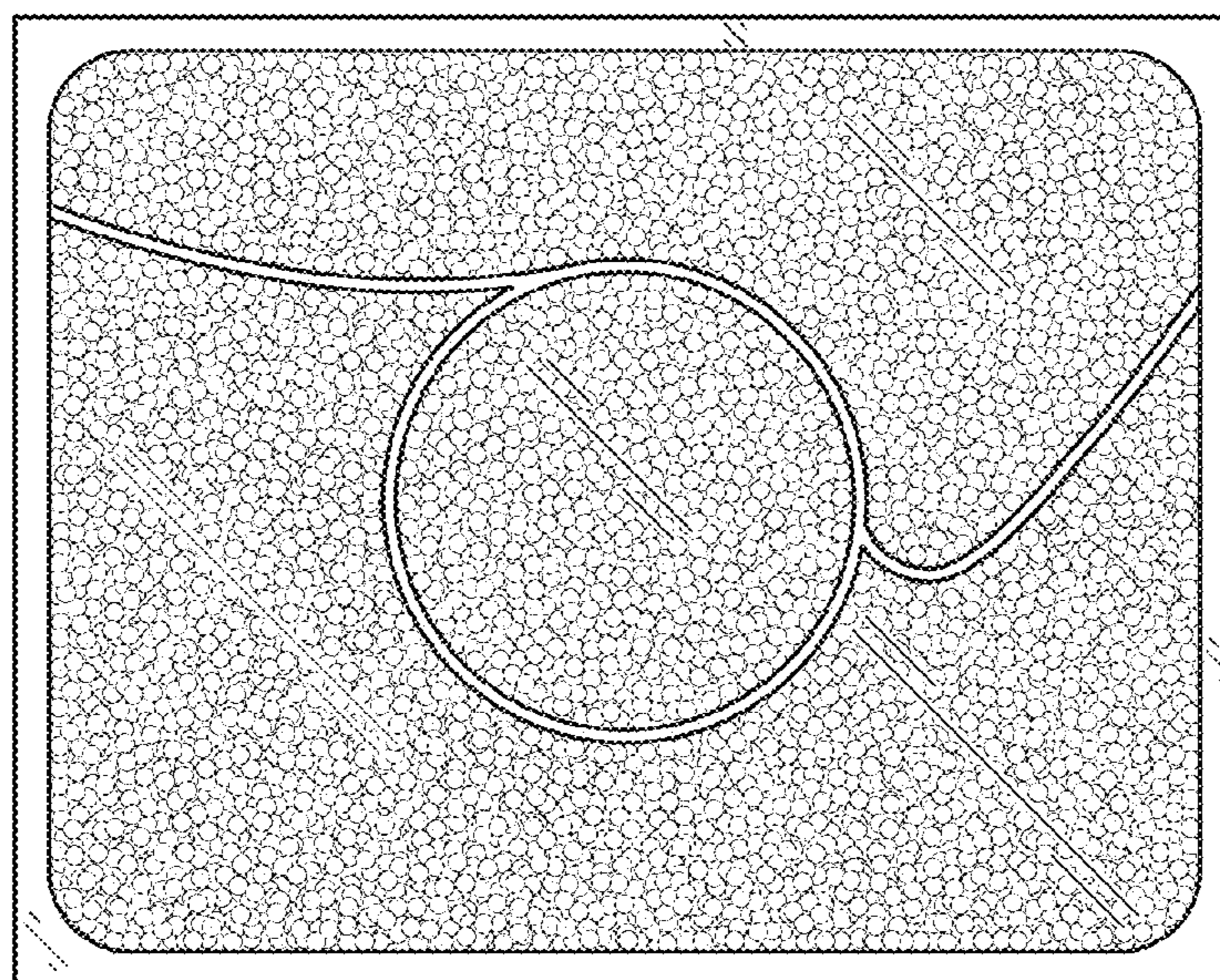


Fig. 7