



US00D760433S

(12) **United States Design Patent**
Schmaelzle et al.

(10) **Patent No.:** **US D760,433 S**
(45) **Date of Patent:** **** Jun. 28, 2016**

(54) **CAPSULE CONTAINING WASHING PRODUCTS**

(71) Applicant: **Reckitt Benckiser (Brands) Limited**,
Berkshire (GB)

(72) Inventors: **Claudia Schmaelzle**, Ludwigshafen
(DE); **Pavlinka Roy**, Ludwigshafen
(DE)

(73) Assignee: **RECKITT BENCKISER (BRANDS) LIMITED**,
Berkshire (GB)

(**) Term: **14 Years**

(21) Appl. No.: **29/521,739**

(22) Filed: **Mar. 26, 2015**

(30) **Foreign Application Priority Data**

Oct. 7, 2014 (EM) 002552489-0002

(51) **LOC (10) Cl.** **28-02**

(52) **U.S. Cl.**
USPC **D28/8.1; D9/425**

(58) **Field of Classification Search**

USPC D28/8.1-8.2, 4; D9/425, 702, 707, 418,
D9/428

CPC C11D 17/04-17/045; C11D
17/0047-17/0091; C11D 17/0095; C11D
17/00

See application file for complete search history.

(56) **References Cited**

U.S. PATENT DOCUMENTS

D486,733 S *	2/2004	Murning	D28/8.1
D524,479 S *	7/2006	Bourgoin	D28/8.1
D562,496 S *	2/2008	Wiedemann	D28/8.1
D563,598 S *	3/2008	Wiedemann	D28/8.1
D565,242 S *	3/2008	Wiedemann	D28/8.1
D566,894 S *	4/2008	Wiedemann	D28/8.1
D567,998 S *	4/2008	Wiedemann	D28/8.1

D652,165 S *	1/2012	Gordon	D28/8.1
D663,894 S *	7/2012	Davanzo	D28/8.1
D680,268 S *	4/2013	Drought	D28/8.1
D680,269 S *	4/2013	Drought	D28/8.1
D680,686 S *	4/2013	Drought	D28/8.1
D680,687 S *	4/2013	Drought	D28/8.1
D687,182 S *	7/2013	Gordon	D28/8.1
D690,465 S *	9/2013	Dietvorst	D28/8.1
D690,878 S *	10/2013	Dietvorst	D28/8.1
D692,180 S *	10/2013	Dietvorst	D28/8.1

(Continued)

OTHER PUBLICATIONS

Calgonit-www.aquelereclaimedatv.com-detergent tablet, www.youtube.com, uploaded on Sep. 7, 2008.*

(Continued)

Primary Examiner — Jennifer Rivard

(74) *Attorney, Agent, or Firm* — Troutman Sanders LLP;
Ryan A. Schneider; Alexis N. Simpson

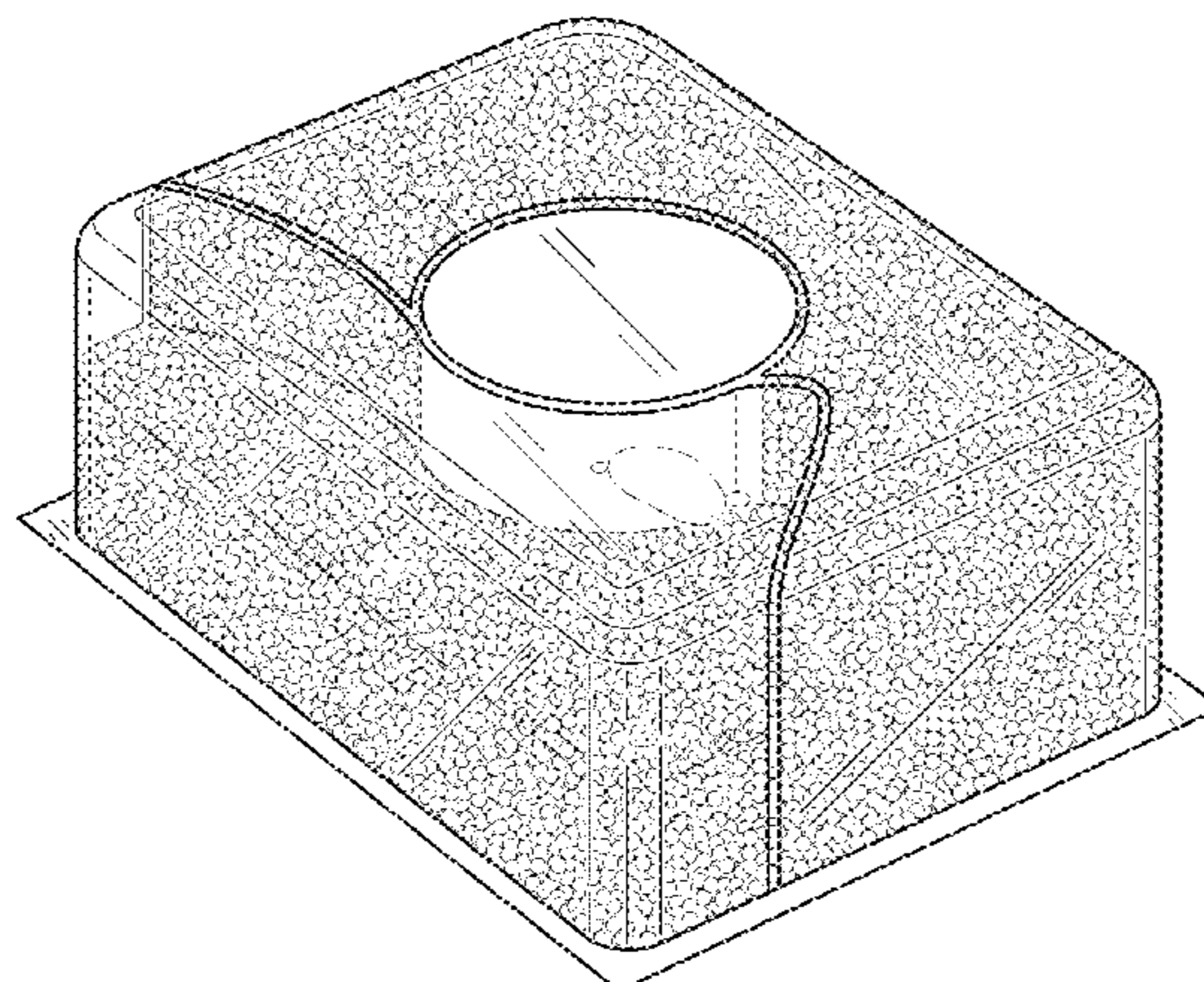
(57) **CLAIM**

The ornamental design for capsule containing washing products, as shown and described.

DESCRIPTION

FIG. 1 is an isometric view of a capsule containing washing products of the present invention;
 FIG. 2 is a front view of the capsule containing washing products of FIG. 1;
 FIG. 3 is a back view of the capsule containing washing products of FIG. 1;
 FIG. 4 is a side view of the capsule containing washing products of FIG. 1;
 FIG. 5 is the other side view of the capsule containing washing products of FIG. 1;
 FIG. 6 is a top view of the capsule containing washing products of FIG. 1; and,
 FIG. 7 is a bottom view of the capsule containing washing products of FIG. 1.

1 Claim, 4 Drawing Sheets



(56)

References Cited

2014/0235522 A1* 8/2014 Wiedemann B65B 9/042
510/220

U.S. PATENT DOCUMENTS

D695,451 S * 12/2013 Gerhards D28/8.1
D735,407 S * 7/2015 Gerhards D28/8.1
2010/0021534 A1* 1/2010 Duffield A61J 3/071
424/451

OTHER PUBLICATIONS

Finish powerball with power gel, Google internet search, date
restricted to before Oct. 6, 2013, 1 page.*

* cited by examiner

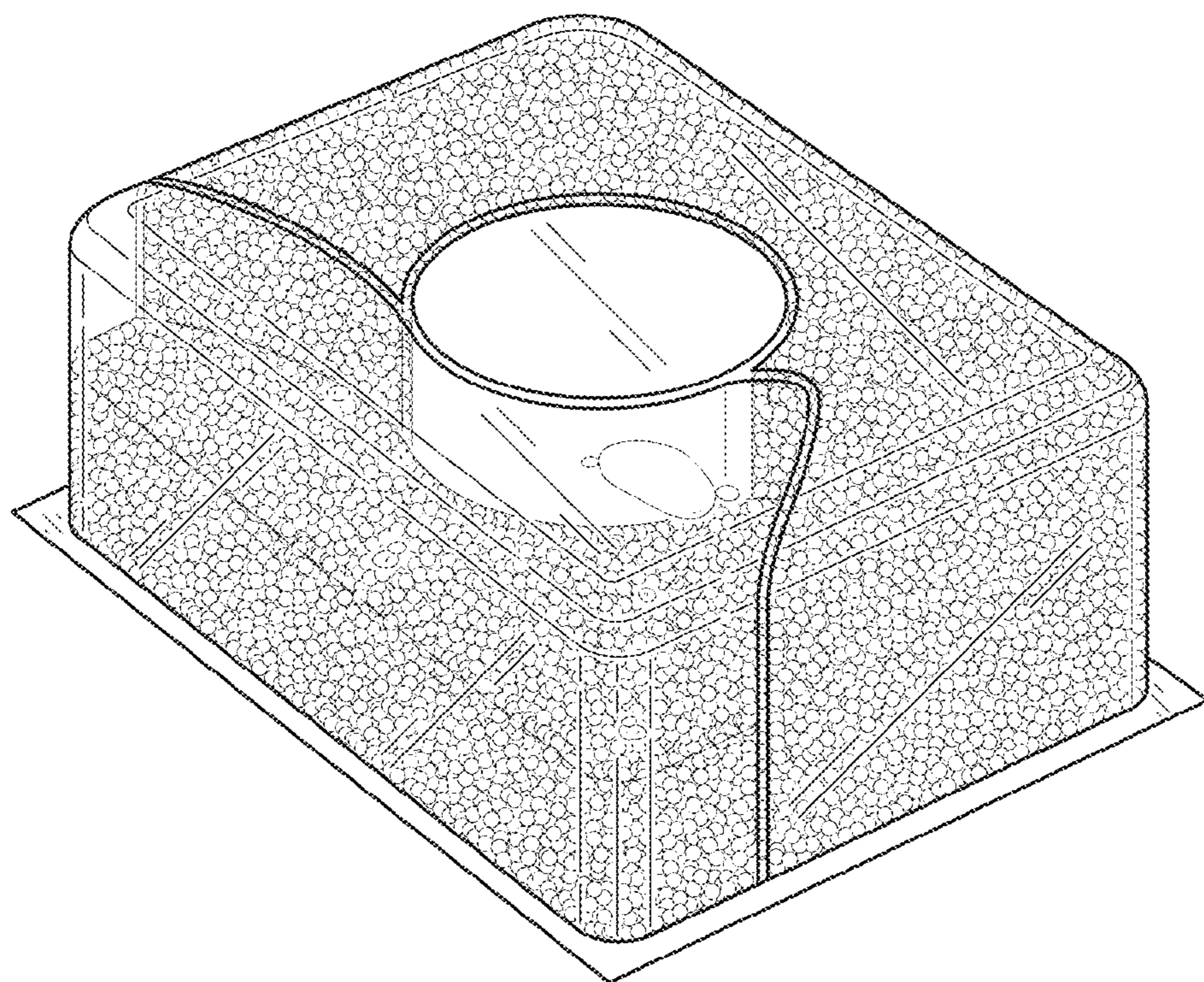


Fig. 1

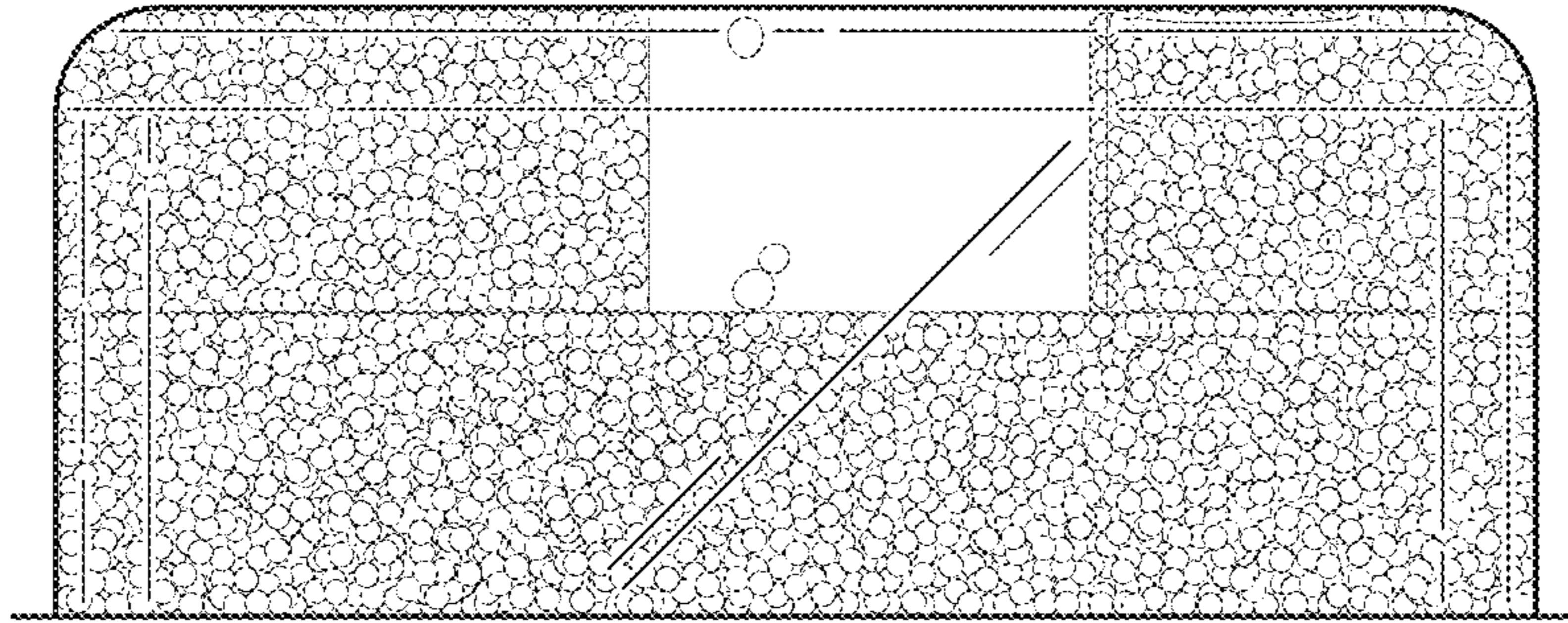


Fig. 2

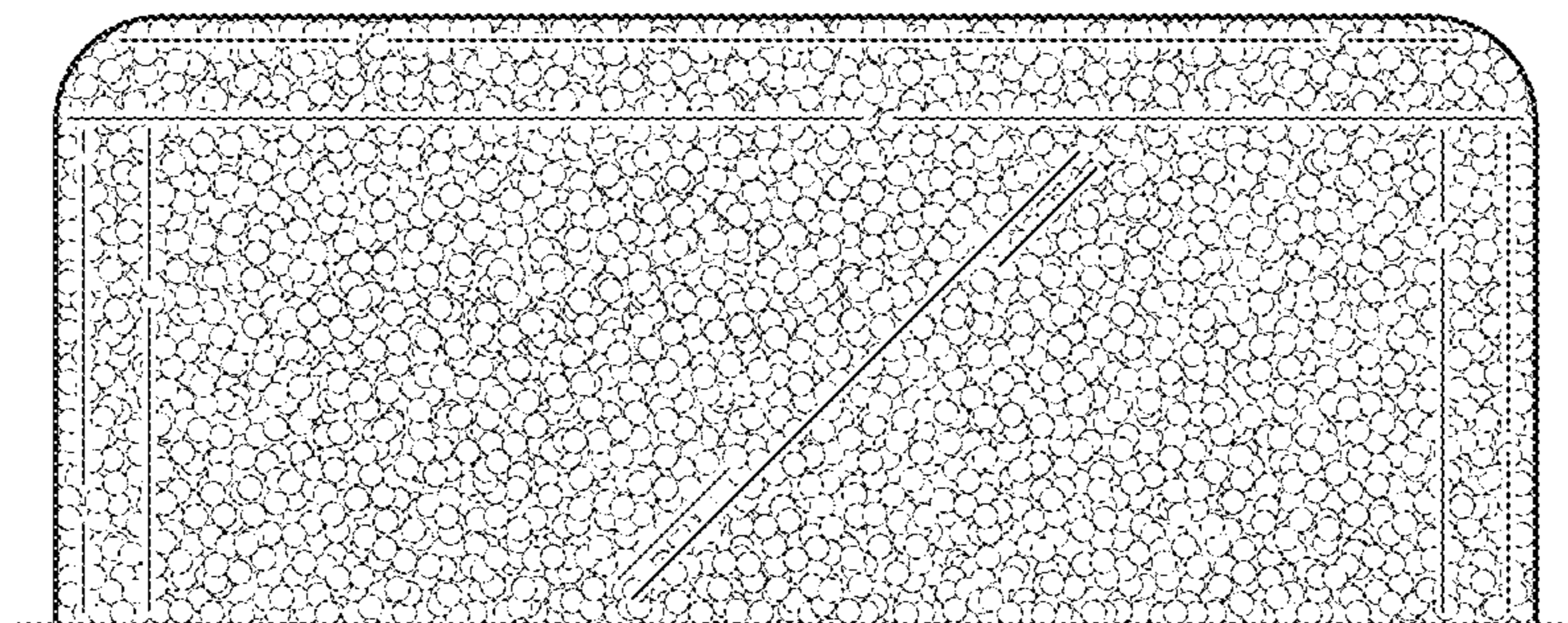


Fig. 3

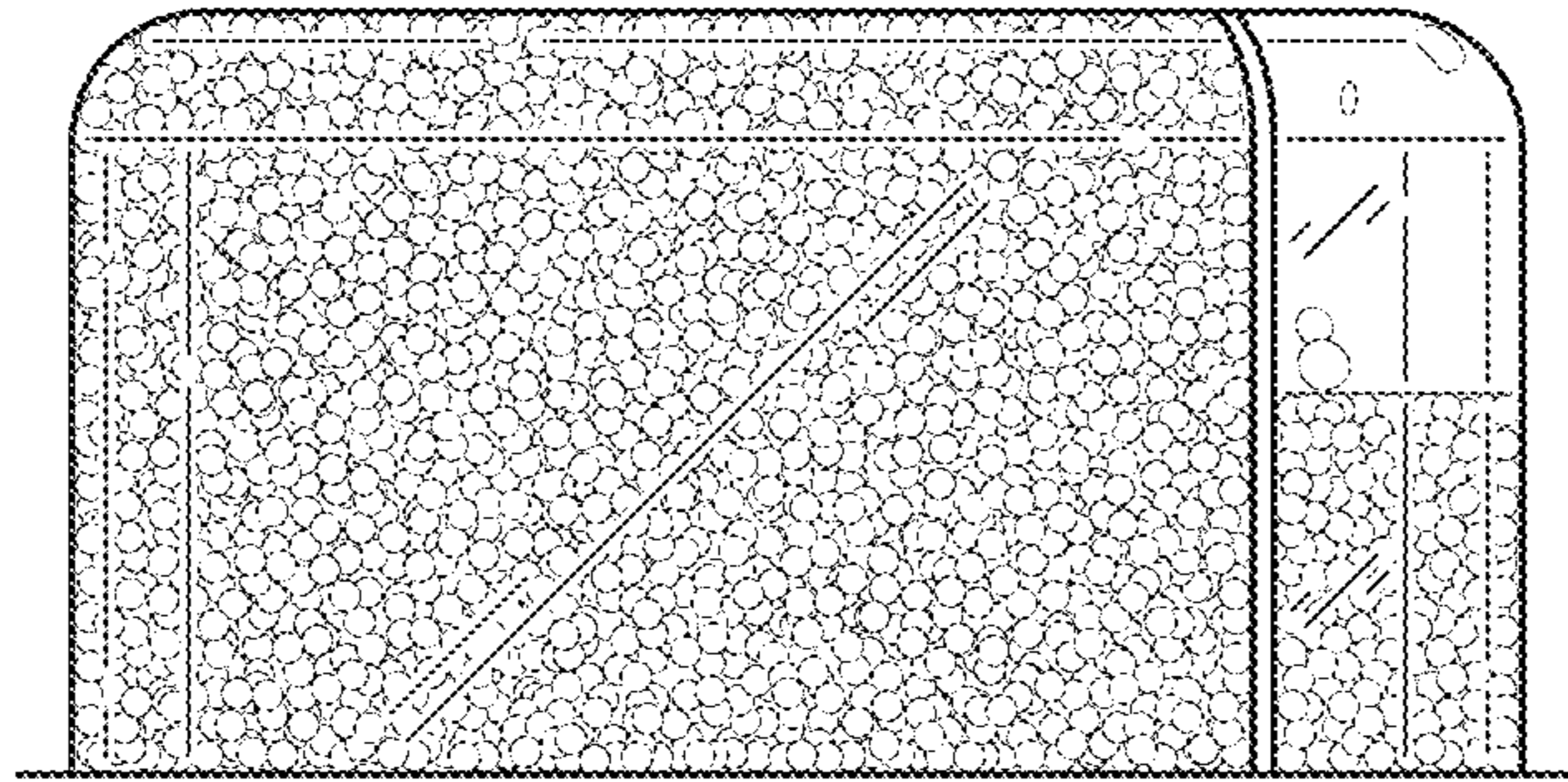


Fig. 4

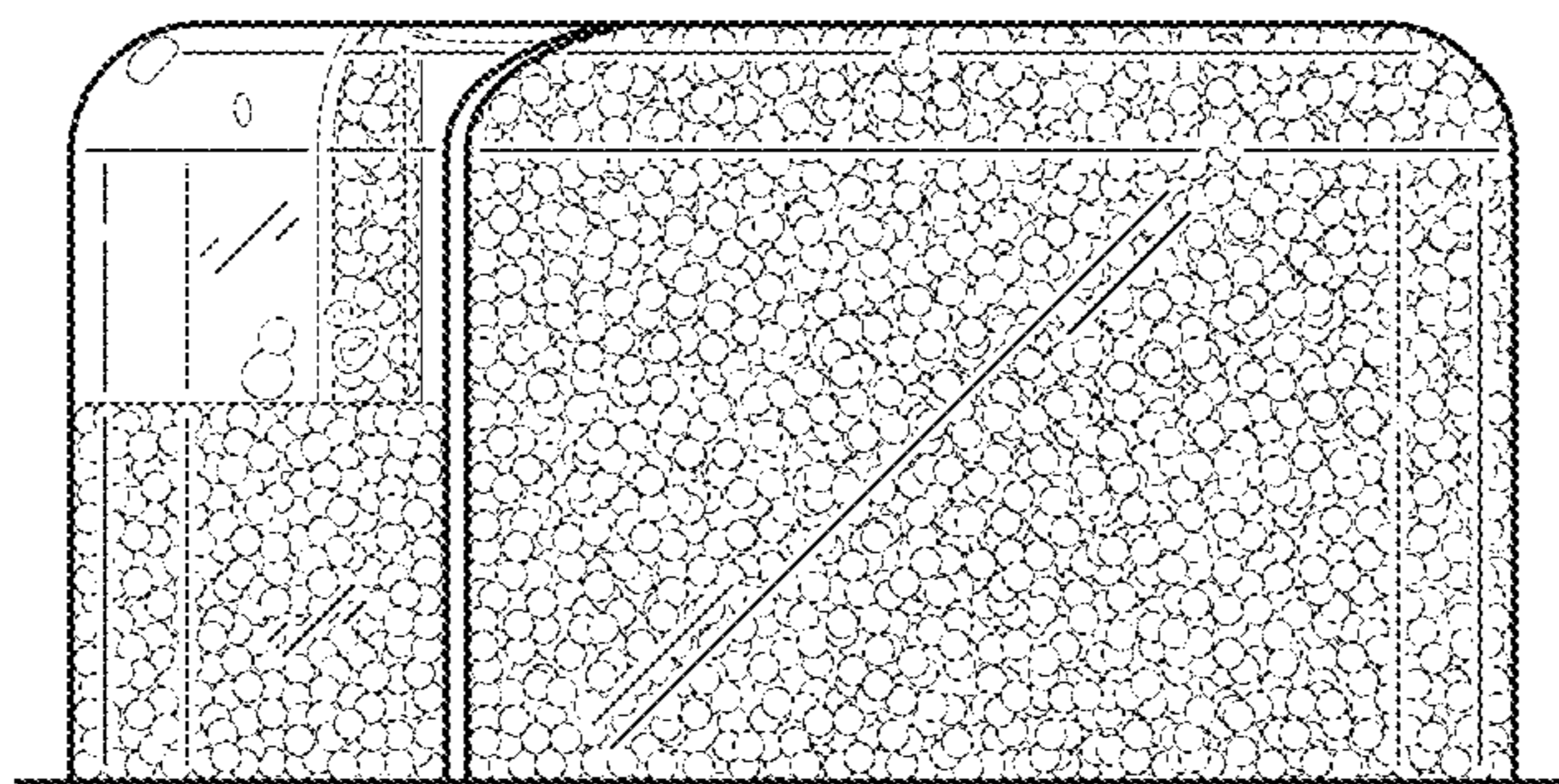


Fig. 5

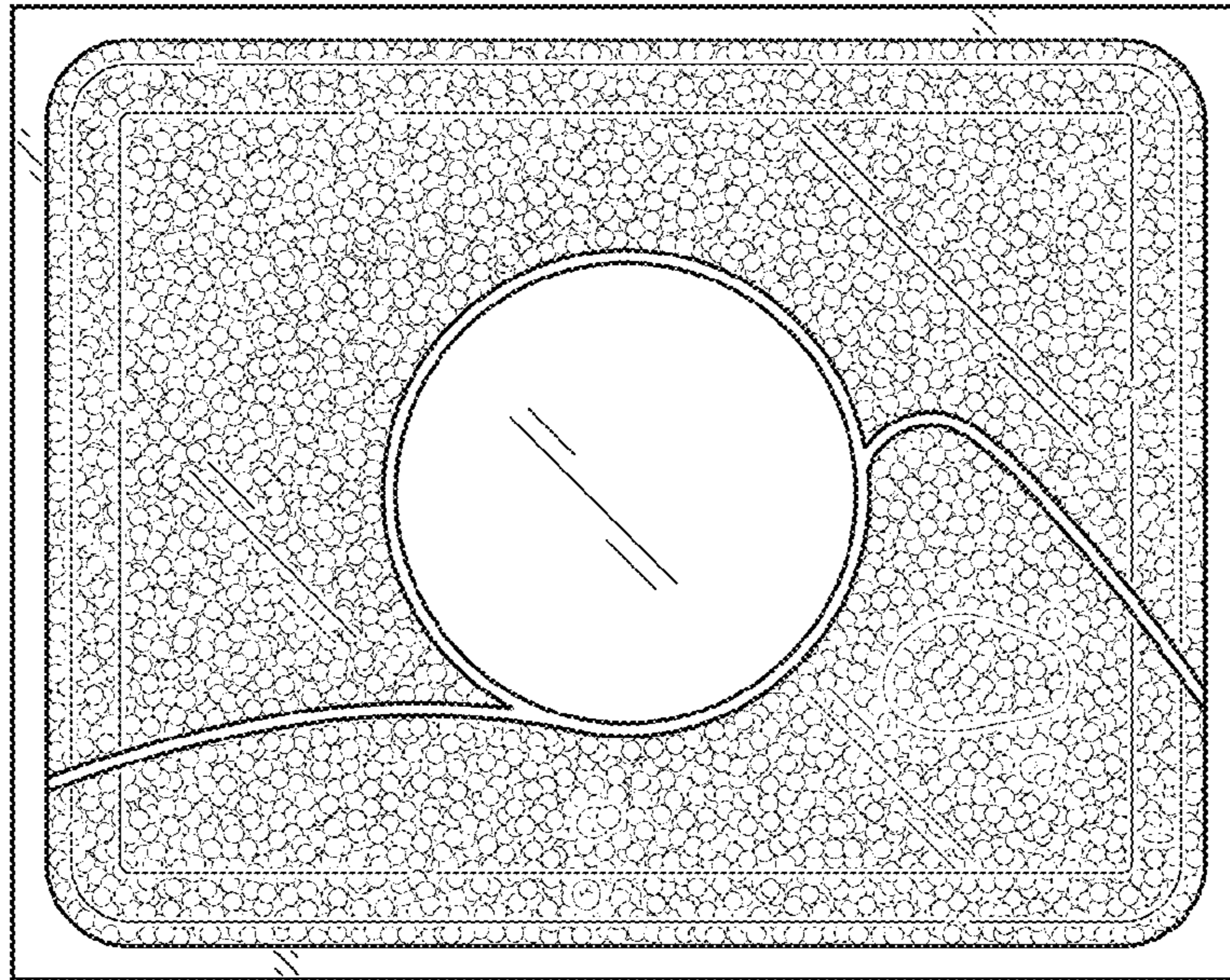


Fig. 6

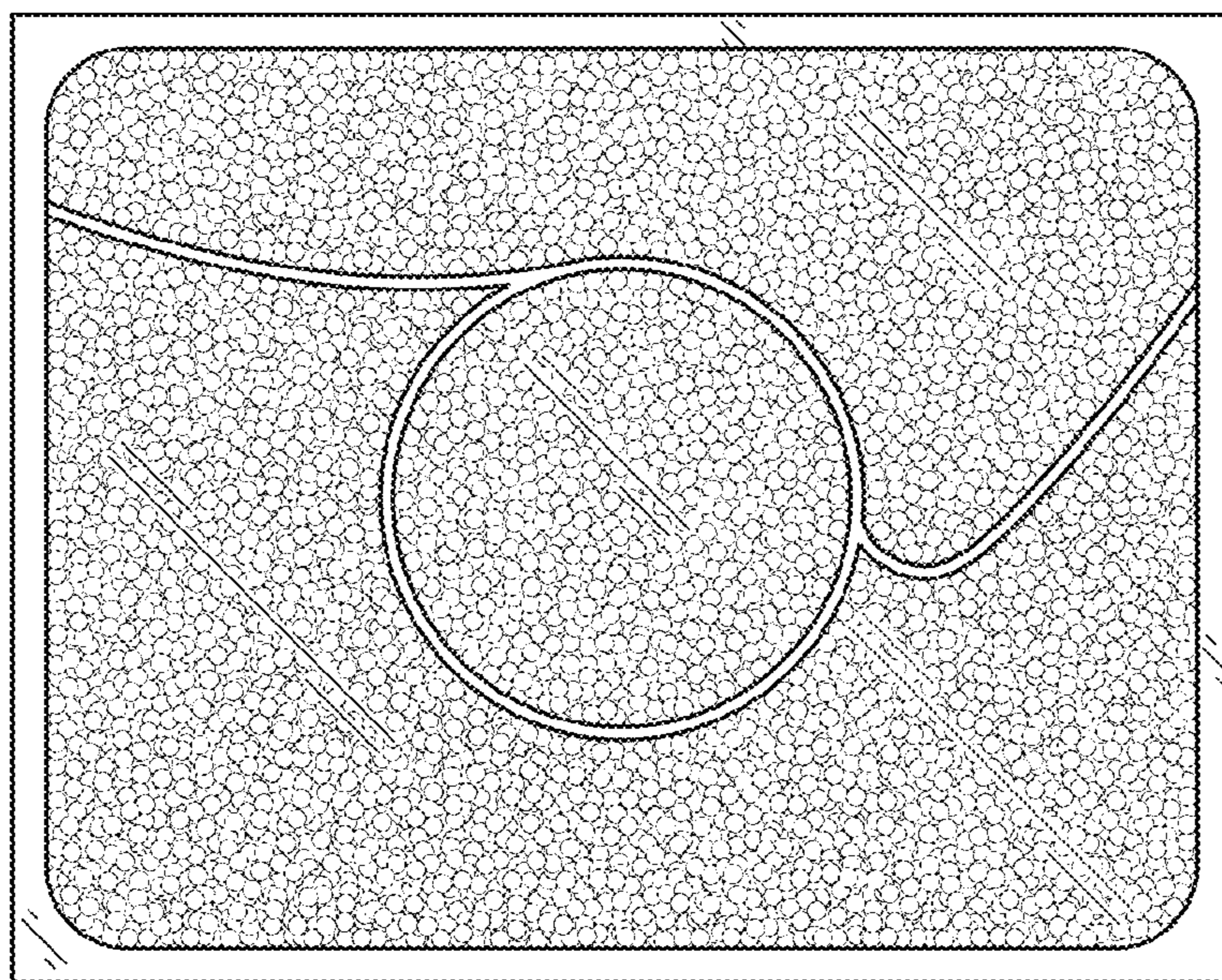


Fig. 7