



US00D760431S

(12) **United States Design Patent**
Liu

(10) **Patent No.:** **US D760,431 S**
(45) **Date of Patent:** **** Jun. 28, 2016**

(54) **ELECTRONIC CIGARETTE CASE**

B65D 85/1054; B65D 85/1036; B65D 85/1045
See application file for complete search history.

(71) Applicant: **KIMREE HI-TECH INC.**, Tortola
(VG)

(56) **References Cited**

(72) Inventor: **Qiuming Liu**, Huizhou (CN)

U.S. PATENT DOCUMENTS

(73) Assignee: **KIMREE HI-TECH INC.**, Tortola
(VG)

D472,013	S	*	3/2003	Conti	D27/189
D480,174	S	*	9/2003	Draghetti	D27/189
D485,640	S	*	1/2004	Draghetti	D27/189
D485,939	S	*	1/2004	Draghetti	D27/189
D610,303	S	*	2/2010	Valle	D27/189

(**) Term: **14 Years**

(Continued)

(21) Appl. No.: **29/513,147**

Primary Examiner — Susan Bennett Hattan

(22) Filed: **Dec. 28, 2014**

Assistant Examiner — Janice Hallmark

(74) *Attorney, Agent, or Firm* — Cheng-Ju Chiang

Related U.S. Application Data

(62) Division of application No. 29/452,867, filed on Apr. 22, 2013, now Pat. No. Des. 723,734.

(57) **CLAIM**

The ornamental design for an “electronic cigarette case,” as shown and described.

DESCRIPTION

(30) **Foreign Application Priority Data**

Feb. 1, 2013 (CN) 2013 3 0035314

(51) **LOC (10) Cl.** **27-06**

(52) **U.S. Cl.**
USPC **D27/189**

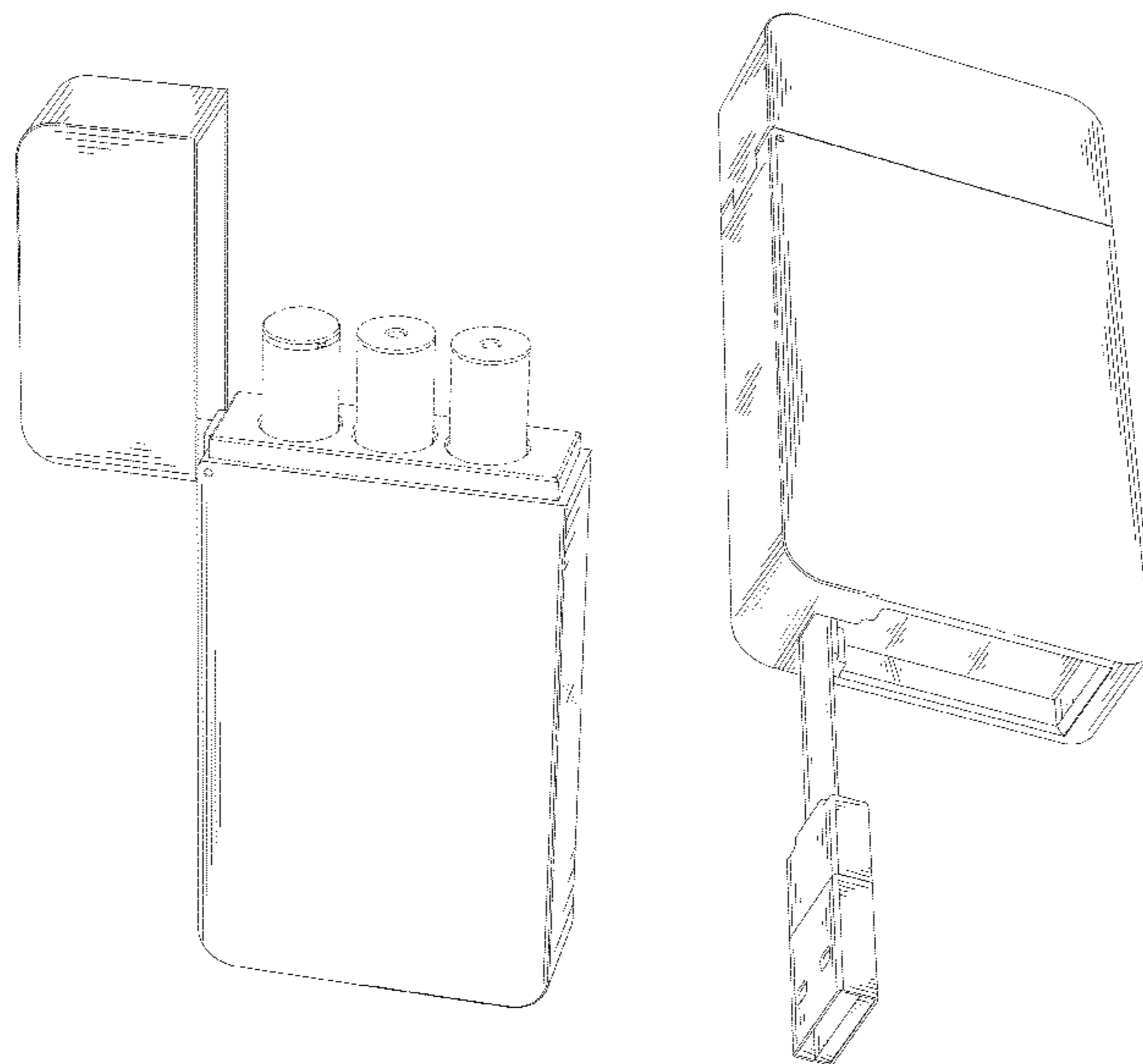
(58) **Field of Classification Search**

USPC D27/129, 141, 144, 152, 153, 157, 160,
D27/172, 174, 175, 183, 186, 187, 189–191,
D27/193, 194, 184; D9/420, 423, 504, 529,
D9/545, 686, 688, 524, 737, 741, 746;
D13/108, 100–199; 206/242, 249, 250,
206/256, 259, 261, 264, 265, 267, 268;
D3/273, 294; 131/270–273, 329–330,
131/347; D7/513, 541

CPC A24F 13/14; A24F 9/16; A24F 15/00;
A24F 15/12; A24F 15/18; A24F 15/20;
A24F 47/002; A24F 15/14; A24F 15/005;
A24F 23/00; A24F 23/04; B65D 85/10;

FIG. 1 is a front, top and right side perspective view of an electronic cigarette case showing my new design;
FIG. 2 is a front, bottom and left side perspective view of FIG. 1;
FIG. 3 is a front elevational view of FIG. 1;
FIG. 4 is a rear elevational view of FIG. 1;
FIG. 5 is a left side elevational view of FIG. 1;
FIG. 6 is a right side elevational view of FIG. 1;
FIG. 7 is a top plan view of FIG. 1;
FIG. 8 is a bottom plan view of FIG. 1; and
FIG. 9 is a front, top and right side perspective view of FIG. 1 in an open position; and,
FIG. 10 is a front, bottom and left side perspective view of FIG. 1 shown in a state of use with the USB part of the electronic cigarette case extended.
The broken lines in the drawings depict environmental subject matter that forms no part of the claimed design.

1 Claim, 10 Drawing Sheets



(56)

References Cited

U.S. PATENT DOCUMENTS

D656,094 S *	3/2012	Wu	D13/108	D723,735 S *	3/2015	Liu	D27/189
D659,094 S *	5/2012	Brand	D13/108	D723,736 S *	3/2015	Liu	D27/189
D671,677 S *	11/2012	Wu	D27/189	D723,737 S *	3/2015	Liu	D27/189
D671,678 S *	11/2012	Wu	D27/189	D736,456 S *	8/2015	Liu	D27/189
D677,000 S *	2/2013	Liu	D27/189	D736,704 S *	8/2015	Liu	D13/108
D677,001 S *	2/2013	Liu	D27/189	D745,456 S *	12/2015	Fung	D13/108
D683,898 S *	6/2013	Liu	D13/108	D749,510 S *	2/2016	Liu	D13/108
D683,899 S *	6/2013	Liu	D13/108	2005/0029137 A1 *	2/2005	Wang	H05K 5/0278 206/320
D688,418 S *	8/2013	Liu	D13/108	2008/0144270 A1 *	6/2008	Dal Porto	H05K 5/0278 361/679.31
D690,461 S *	9/2013	Chen	D27/187	2013/0342157 A1 *	12/2013	Liu	A24F 15/18 320/107
D704,629 S *	5/2014	Liu	D13/108	2014/0007892 A1 *	1/2014	Liu	G08C 23/02 131/329
D721,646 S *	1/2015	Kim	D13/103	2014/0286002 A1 *	9/2014	Liu	F21V 33/0004 362/154
D723,733 S *	3/2015	Liu	D27/189					
D723,734 S *	3/2015	Liu	D27/189					

* cited by examiner

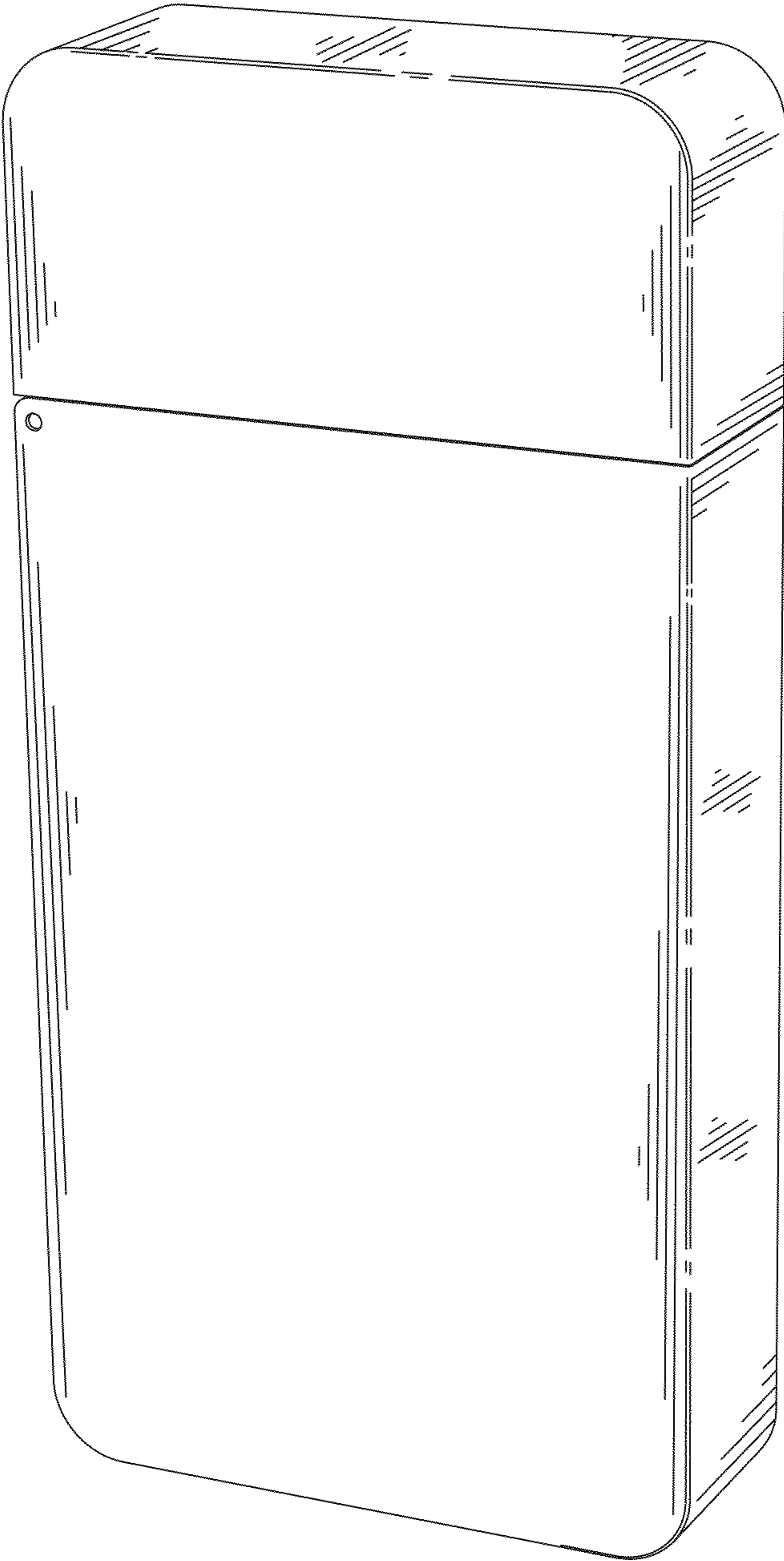


FIG. 1

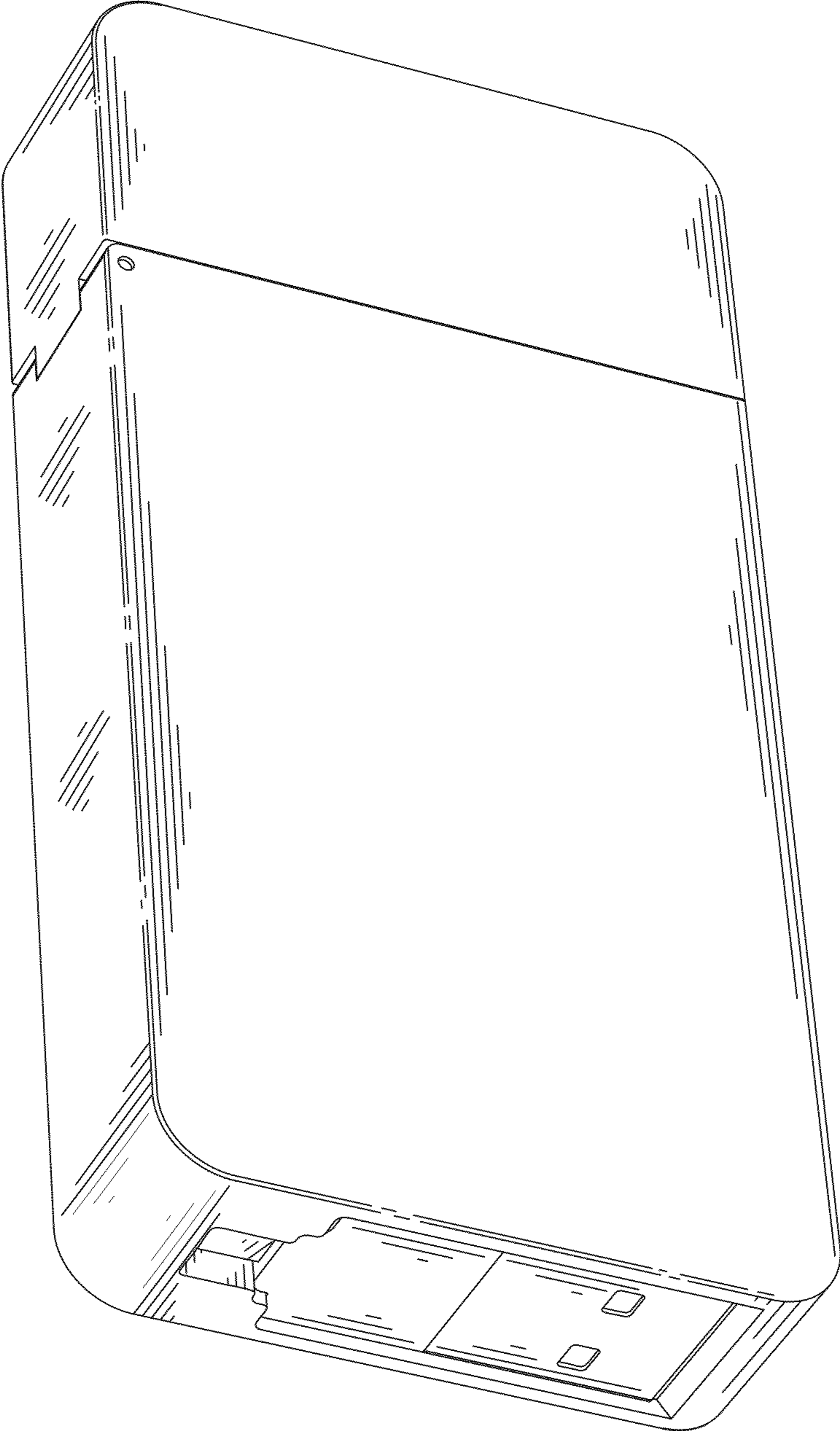


FIG. 2

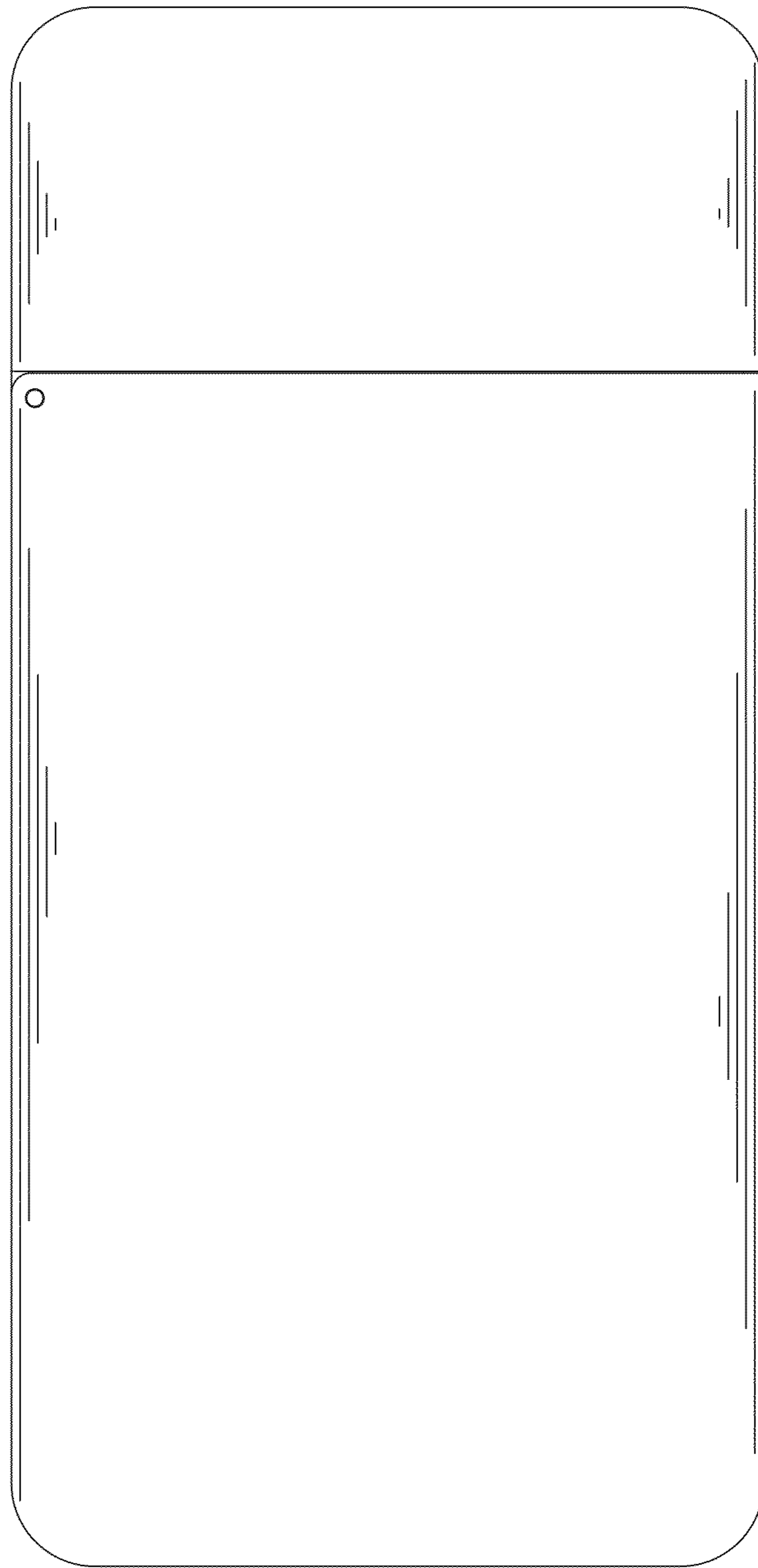


FIG. 3

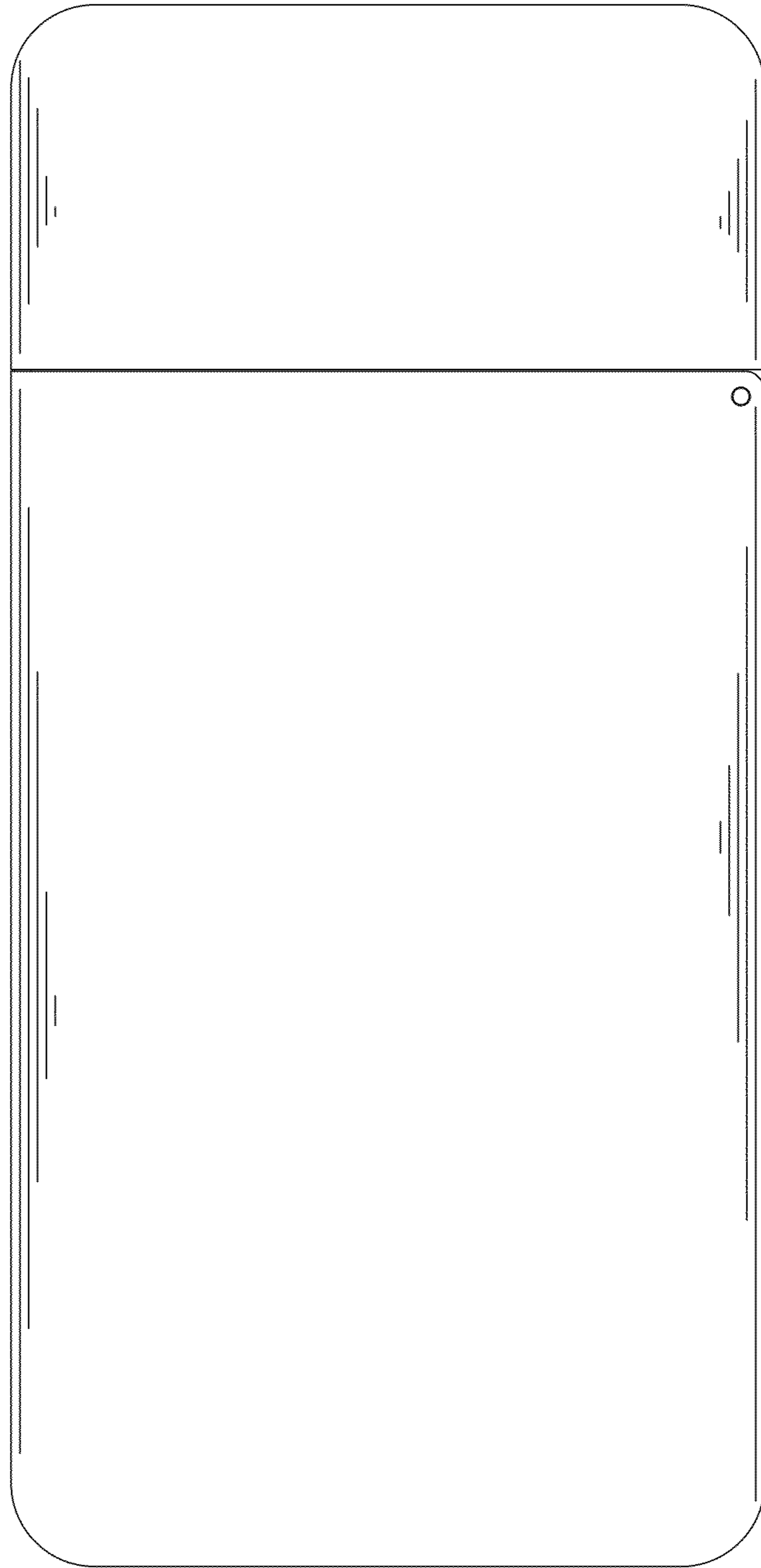


FIG. 4

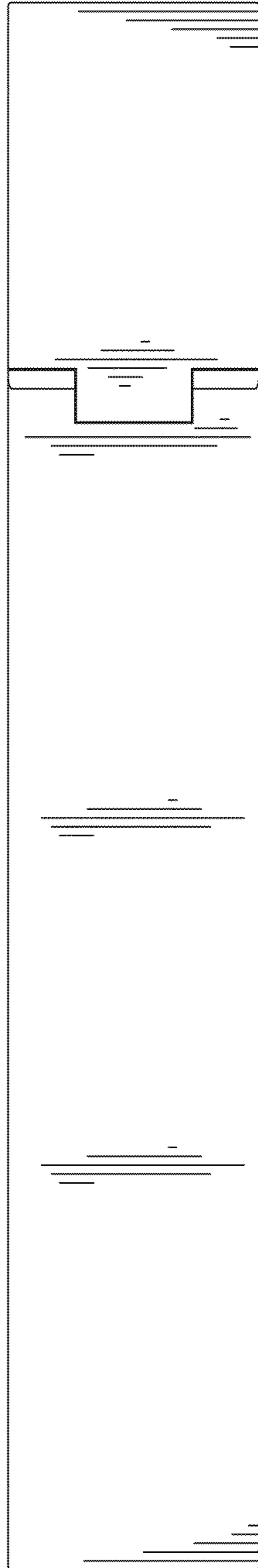


FIG. 5

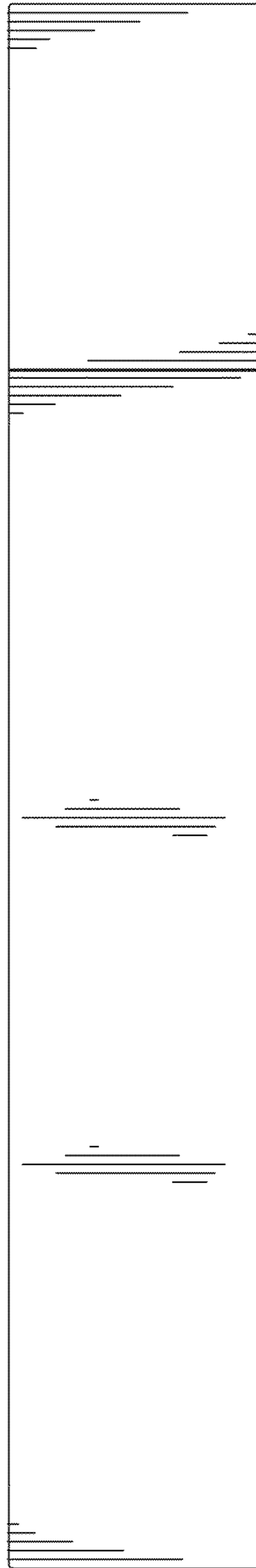


FIG. 6

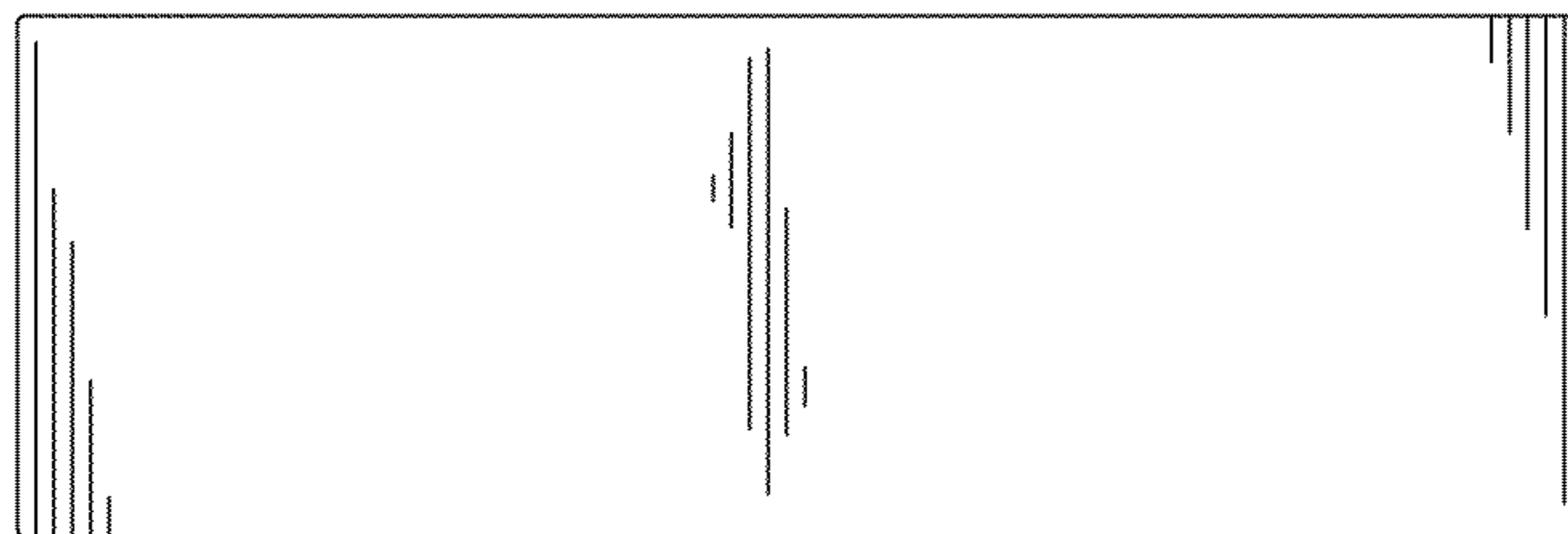


FIG. 7

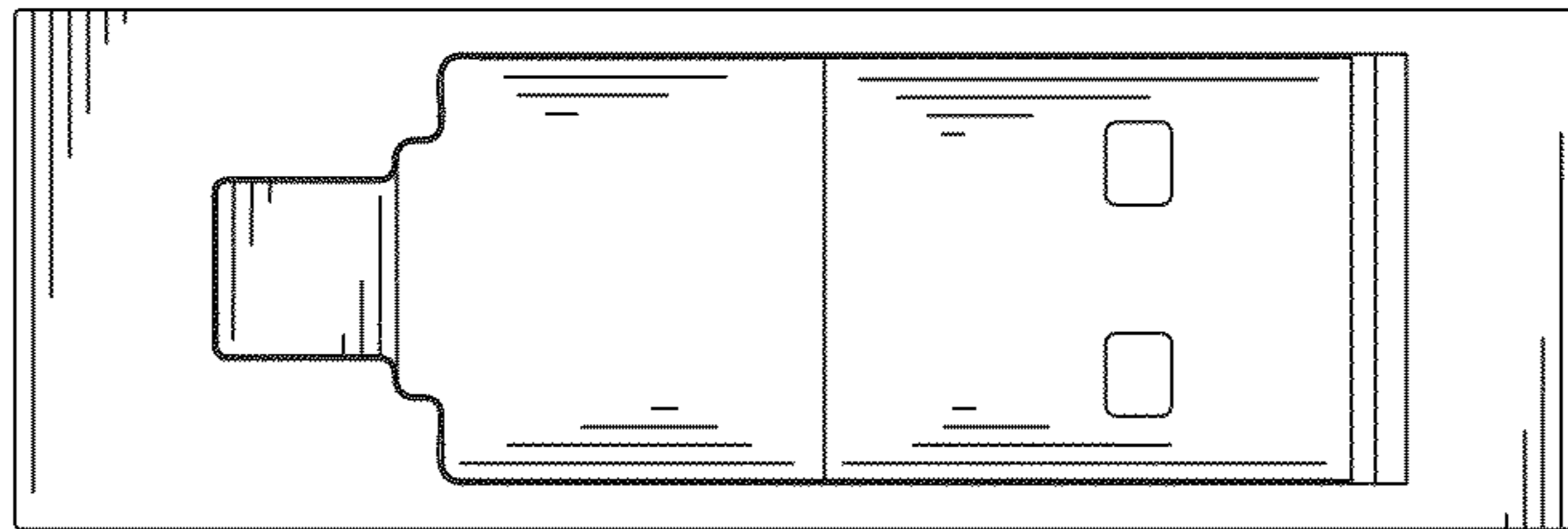


FIG. 8

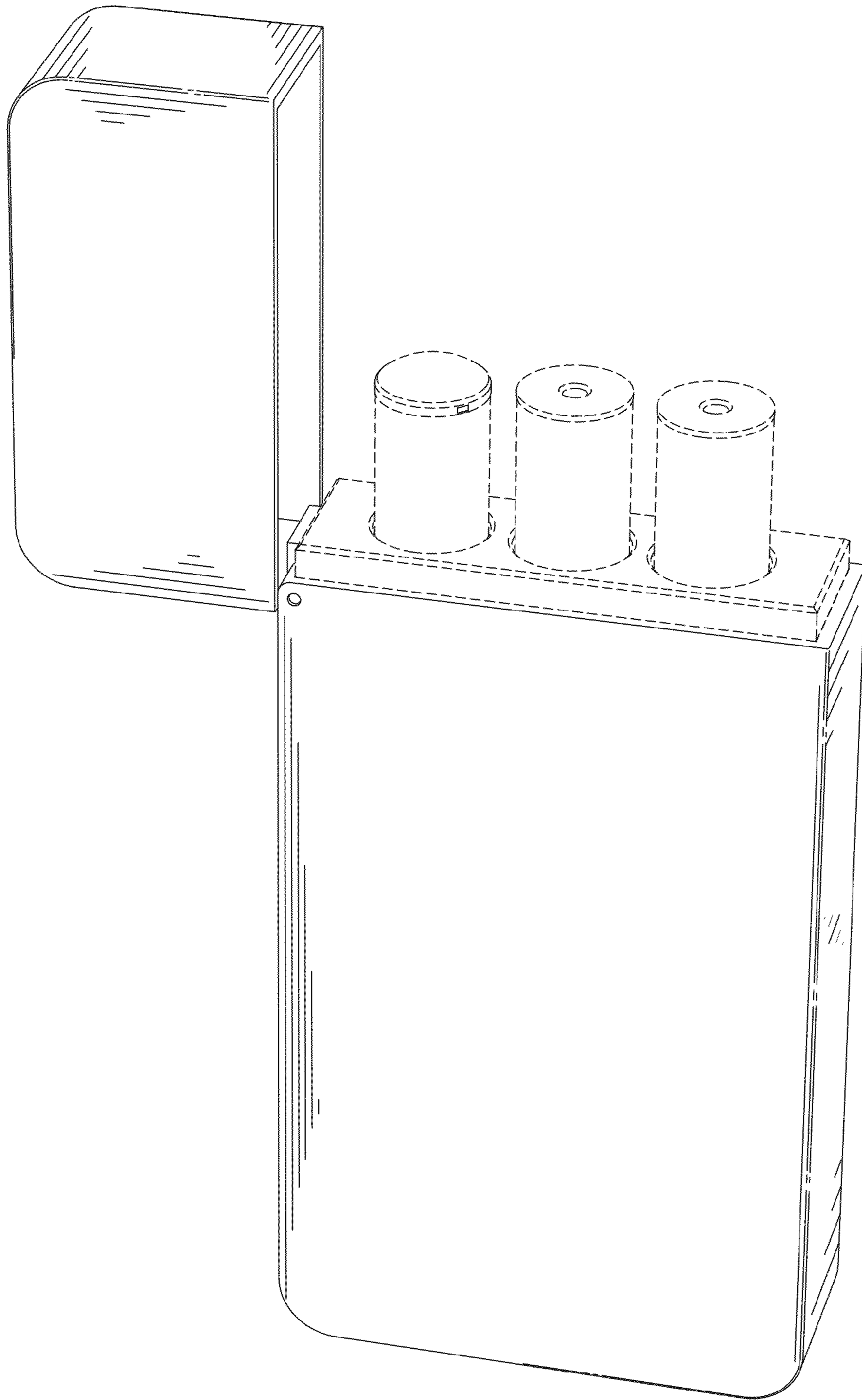


FIG. 9

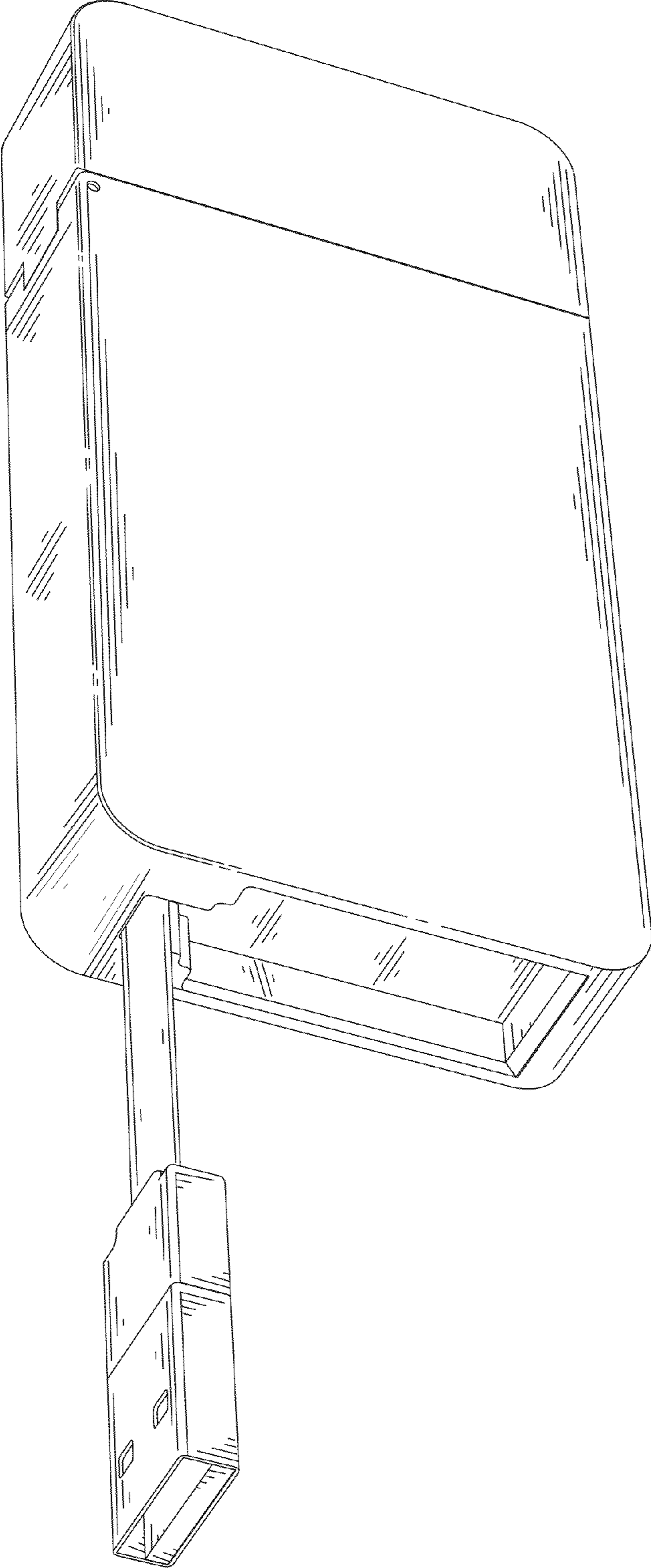


FIG. 10