

US00D760428S

(12) **United States Design Patent**
Rahbar

(10) **Patent No.:** **US D760,428 S**

(45) **Date of Patent:** **** Jun. 28, 2016**

(54) **CIGARETTE LIGHTER**

(71) Applicant: **Daniel Rahbar**, Los Angeles, CA (US)

(72) Inventor: **Daniel Rahbar**, Los Angeles, CA (US)

(**) Term: **14 Years**

(21) Appl. No.: **29/499,721**

(22) Filed: **Aug. 18, 2014**

(51) **LOC (10) Cl.** **27-05**

(52) **U.S. Cl.**
USPC **D27/141**

(58) **Field of Classification Search**
USPC D27/141, 152, 153, 154, 155, 157, 158,
D27/159, 160, 139; D3/202; D7/302;
D9/710; D24/207, 208; 431/273-277,
431/249, 250, 350

CPC F23Q 2/00; F23Q 2/16; F23Q 2/161
See application file for complete search history.

(56) **References Cited**

U.S. PATENT DOCUMENTS

D375,814 S *	11/1996	Inoue	D27/141
D465,879 S *	11/2002	Abouni	D27/154
D530,855 S *	10/2006	Ruan	D27/154
D532,549 S *	11/2006	Ruan	D27/154
D534,305 S *	12/2006	Xu	D27/154

D534,681 S *	1/2007	Ruan	D27/154
D572,405 S *	7/2008	Yang	D27/154
D574,996 S *	8/2008	Huang	D27/154
D635,713 S *	4/2011	Lefebvre	D27/154
D672,085 S *	12/2012	Ochiai	D27/154
D742,062 S *	10/2015	Almsberger	D27/143

* cited by examiner

Primary Examiner — Susan Bennett Hattan

Assistant Examiner — Rebecca Tsehaye

(74) *Attorney, Agent, or Firm* — Michael N. Cohen; Cohen IP Law Group PC

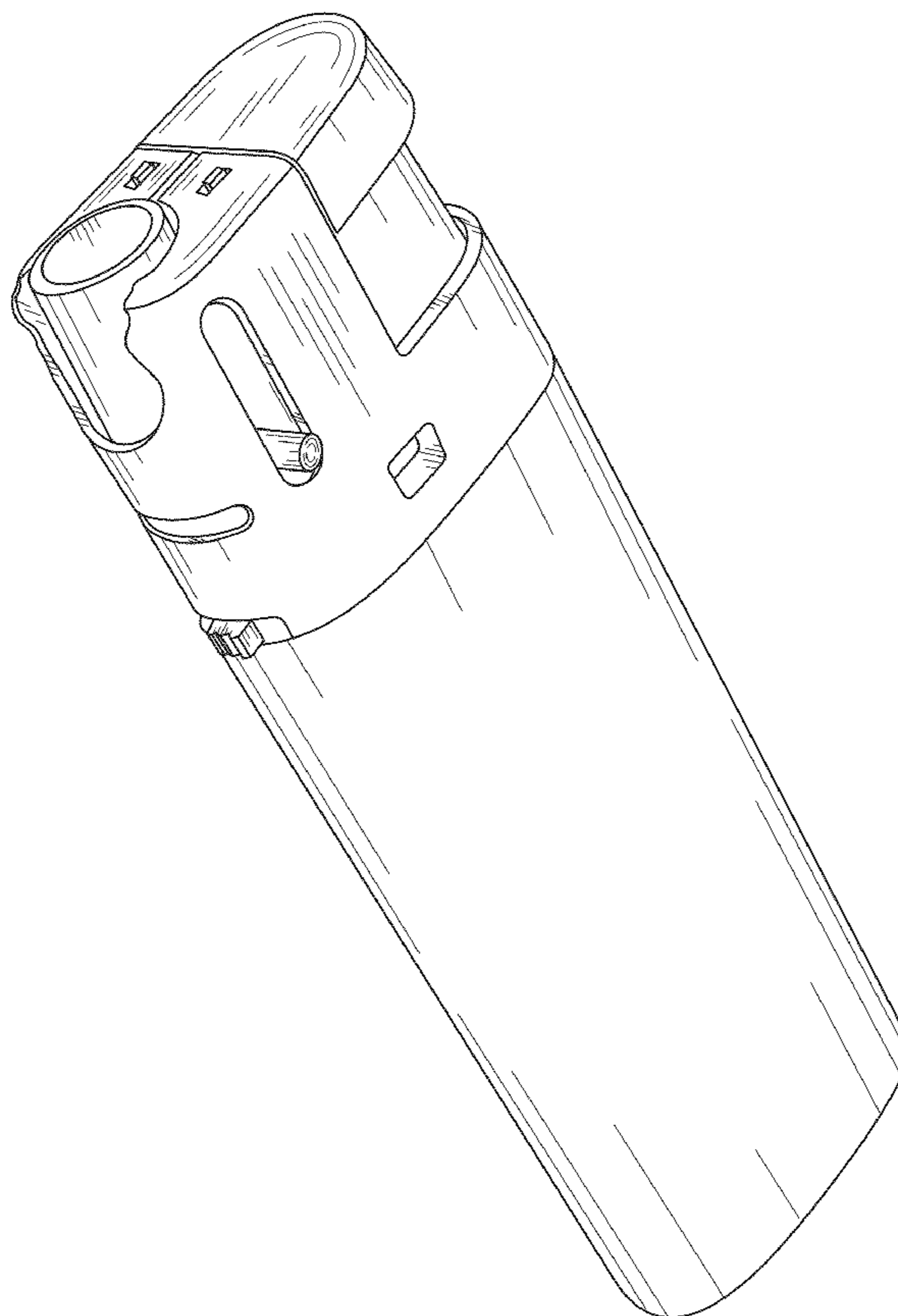
(57) **CLAIM**

I claim the ornamental design for the cigarette lighter, as shown and described.

DESCRIPTION

FIG. 1 is a front perspective view of the cigarette lighter;
FIG. 2 is a back perspective view of FIG. 1;
FIG. 3 is a left side view of FIG. 1;
FIG. 4 is a right side view of FIG. 1;
FIG. 5 is a front view of FIG. 1;
FIG. 6 is a back view of FIG. 1;
FIG. 7 is a top view of FIG. 1; and,
FIG. 8 is a bottom view of FIG. 1.

1 Claim, 6 Drawing Sheets



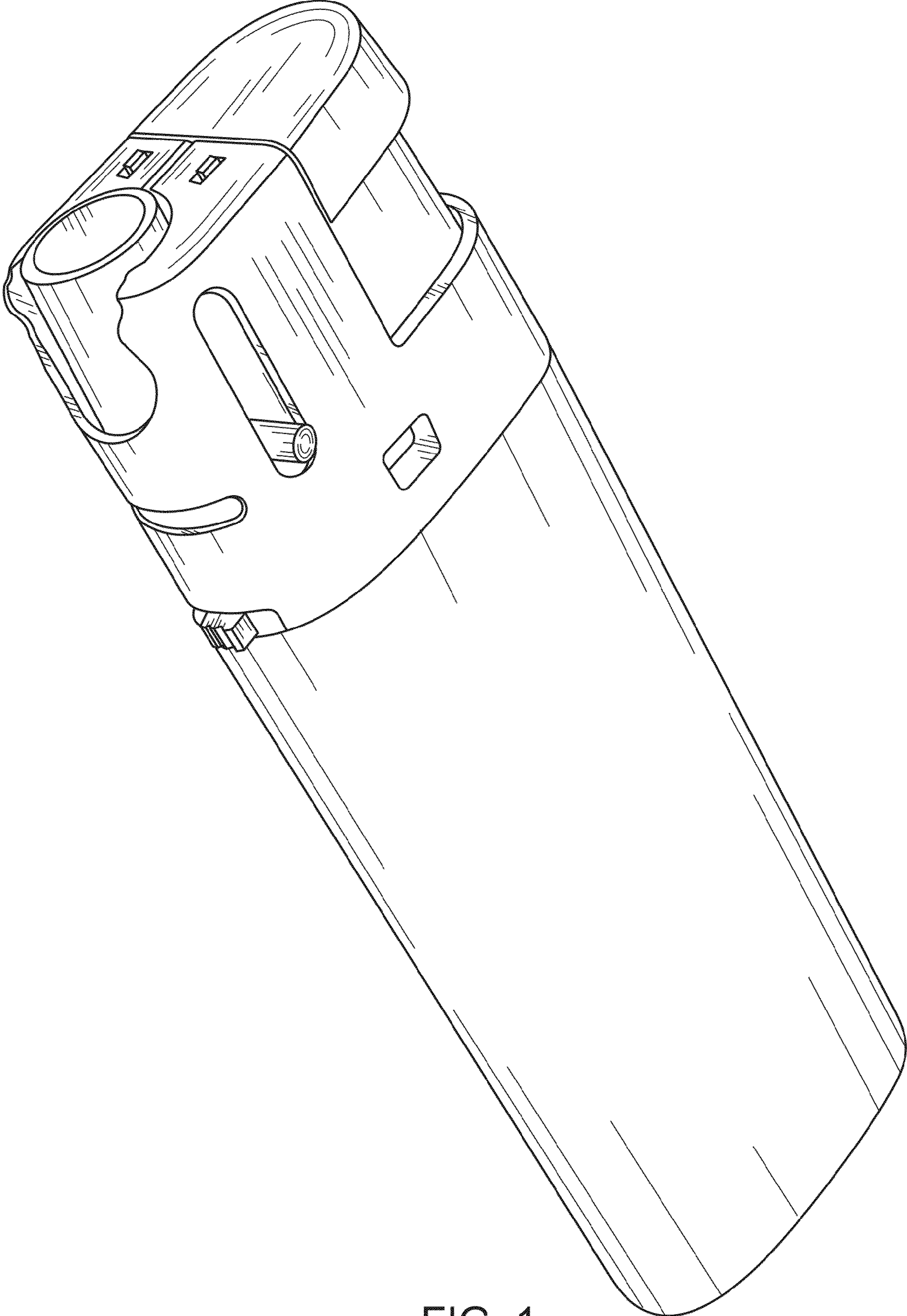


FIG. 1

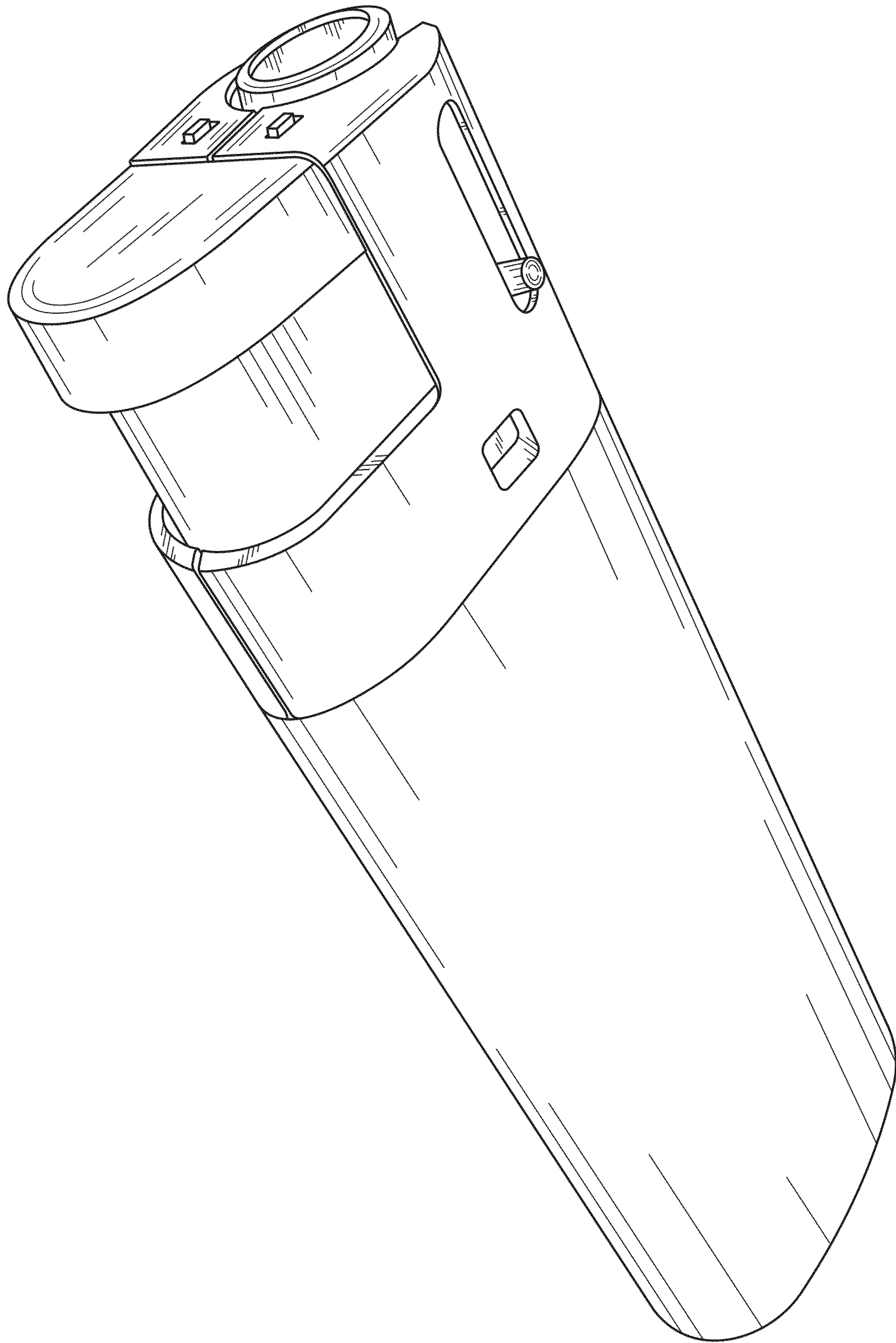


FIG. 2

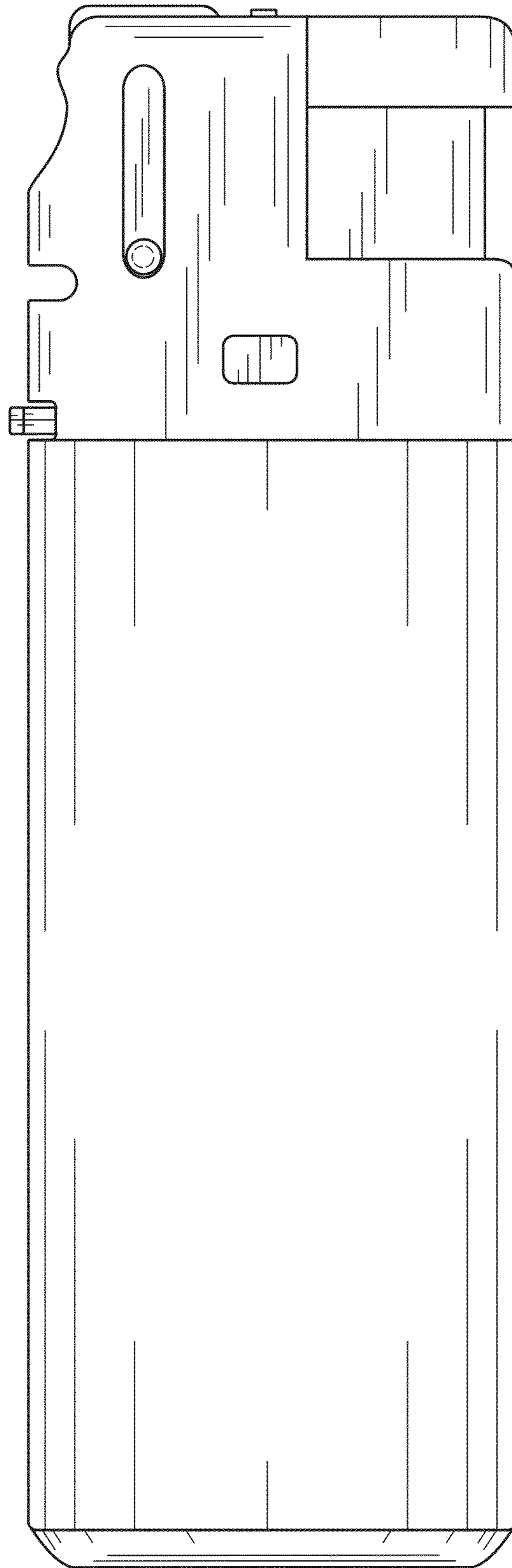


FIG. 3

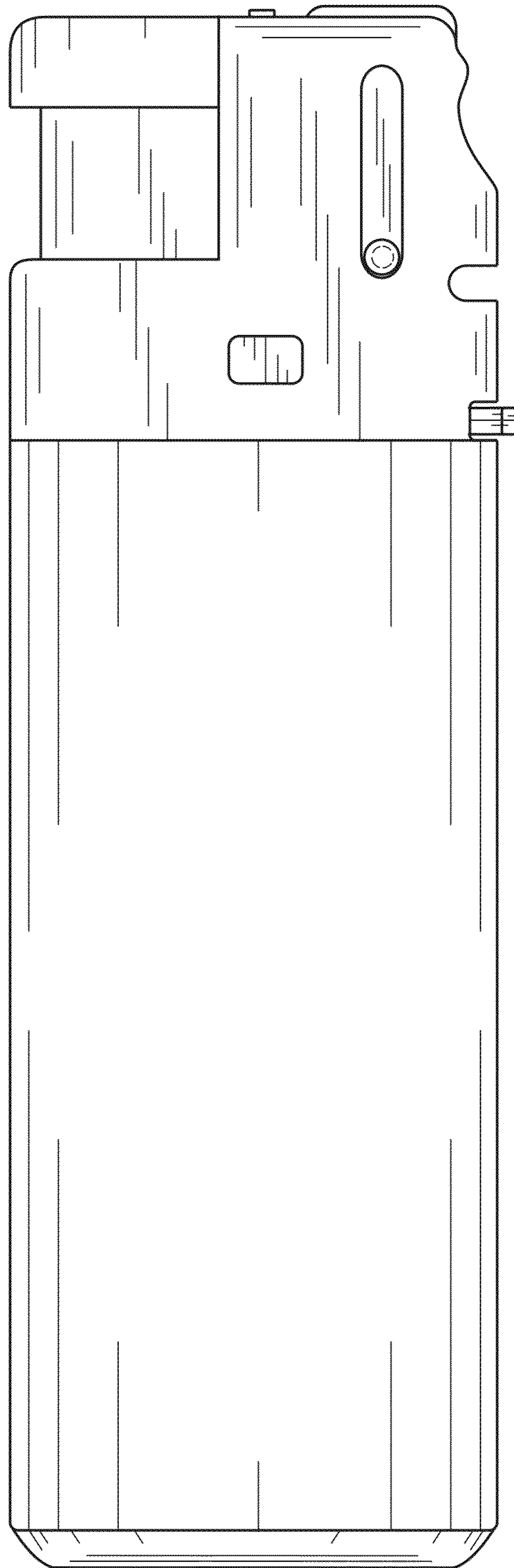


FIG. 4

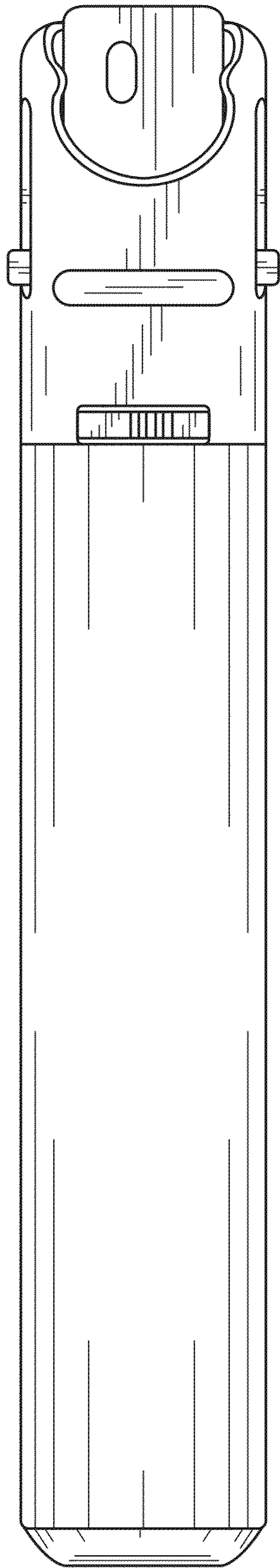


FIG. 5

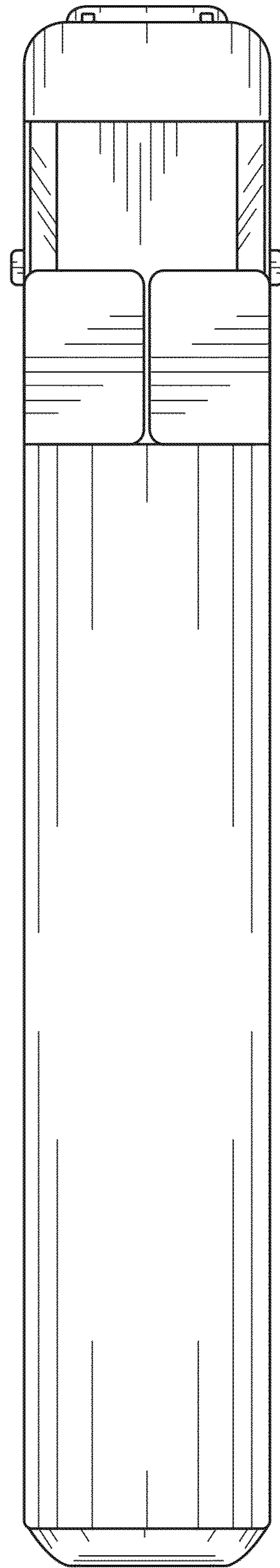


FIG. 6

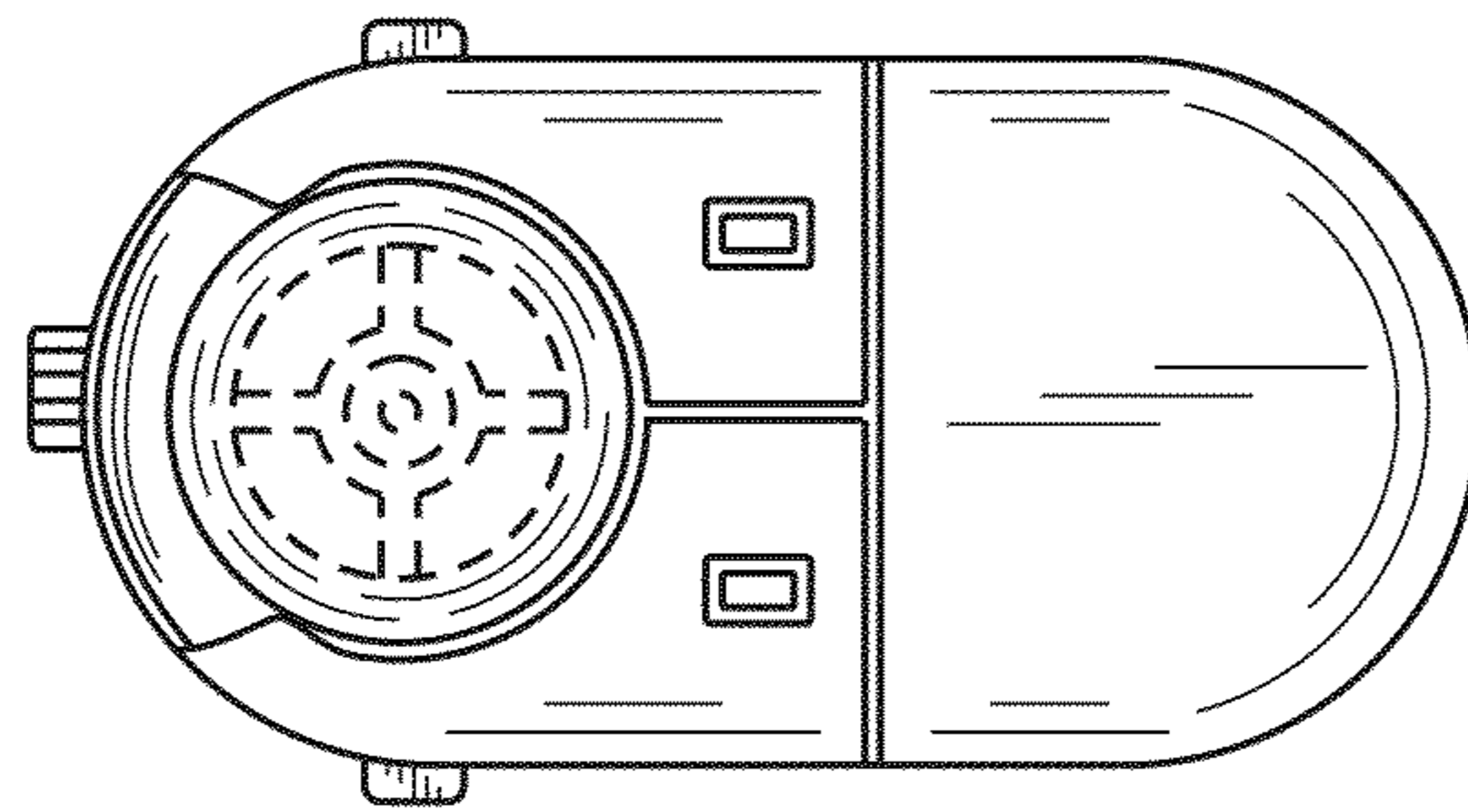


FIG. 7

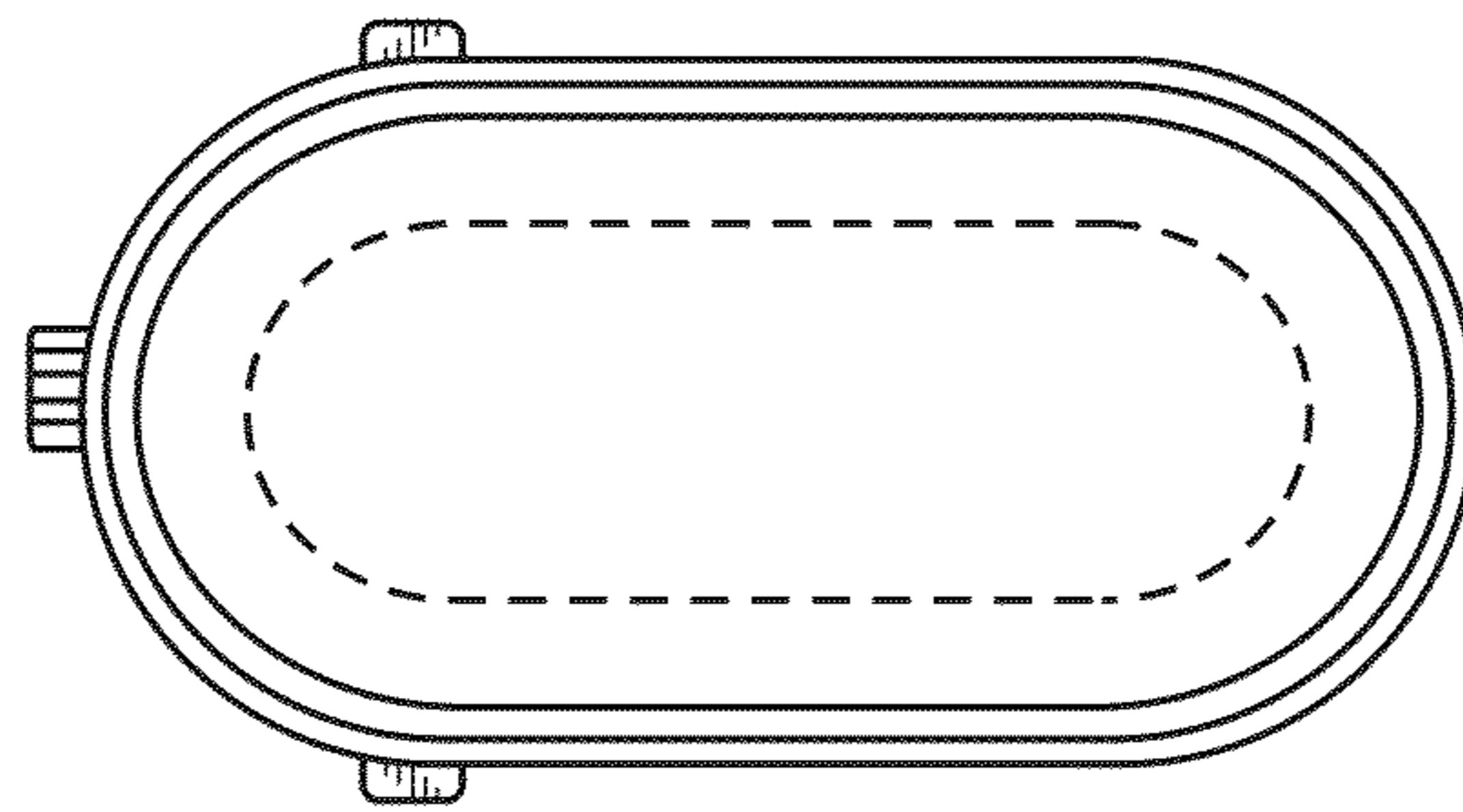


FIG. 8