



US00D760427S

(12) **United States Design Patent**
Hancock, Jr. et al.

(10) **Patent No.:** **US D760,427 S**
(45) **Date of Patent:** **** Jun. 28, 2016**

(54) **BOAT NAVIGATION LIGHT HOUSING**

(71) Applicants: **Thomas Douglas Hancock, Jr.**, Isle of Palms, SC (US); **Dale Leslie Martin**, North Charleston, SC (US)

(72) Inventors: **Thomas Douglas Hancock, Jr.**, Isle of Palms, SC (US); **Dale Leslie Martin**, North Charleston, SC (US)

(**) Term: **14 Years**

(21) Appl. No.: **29/514,794**

(22) Filed: **Jan. 16, 2015**

Related U.S. Application Data

(63) Continuation-in-part of application No. 13/590,628, filed on Aug. 21, 2012, now abandoned.

(51) **LOC (10) Cl.** **26-99**

(52) **U.S. Cl.**
USPC **D26/139**

(58) **Field of Classification Search**
USPC D26/28-36, 139; 362/61, 80-83,
362/459-468, 475-478, 485-487
CPC B62J 6/00; B62J 17/202; B60Q 1/26
See application file for complete search history.

(56) **References Cited**

U.S. PATENT DOCUMENTS

D440,694 S * 4/2001 Jeffries D26/139
D481,161 S * 10/2003 Hoyle D26/139
D604,893 S * 11/2009 Woolley D26/139

* cited by examiner

Primary Examiner — Marcus Jackson

(74) *Attorney, Agent, or Firm* — Southeast IP Group, LLC.;
Thomas L. Moses

(57) **CLAIM**

The ornamental design for the boat navigation light housing,
as shown and described.

DESCRIPTION

FIG. 1 is a front view of my design for a boat navigation light housing.

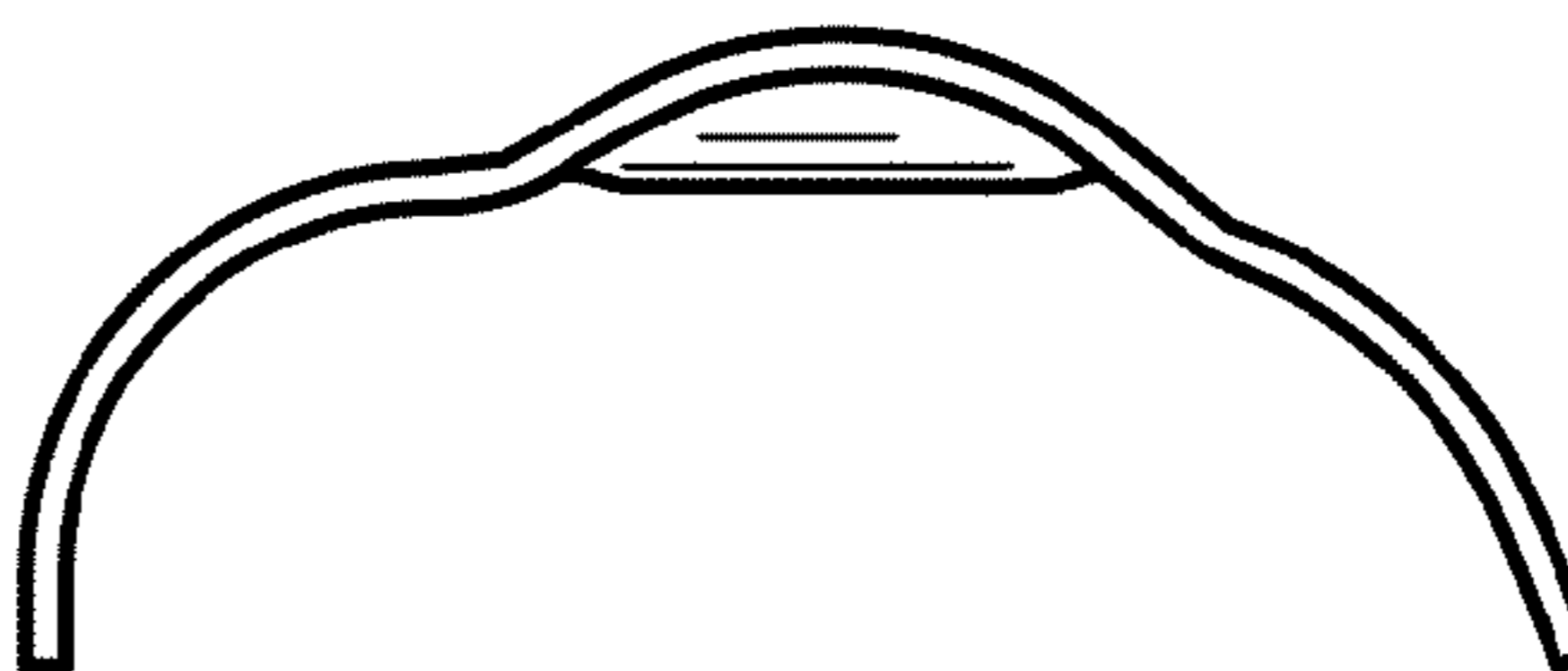
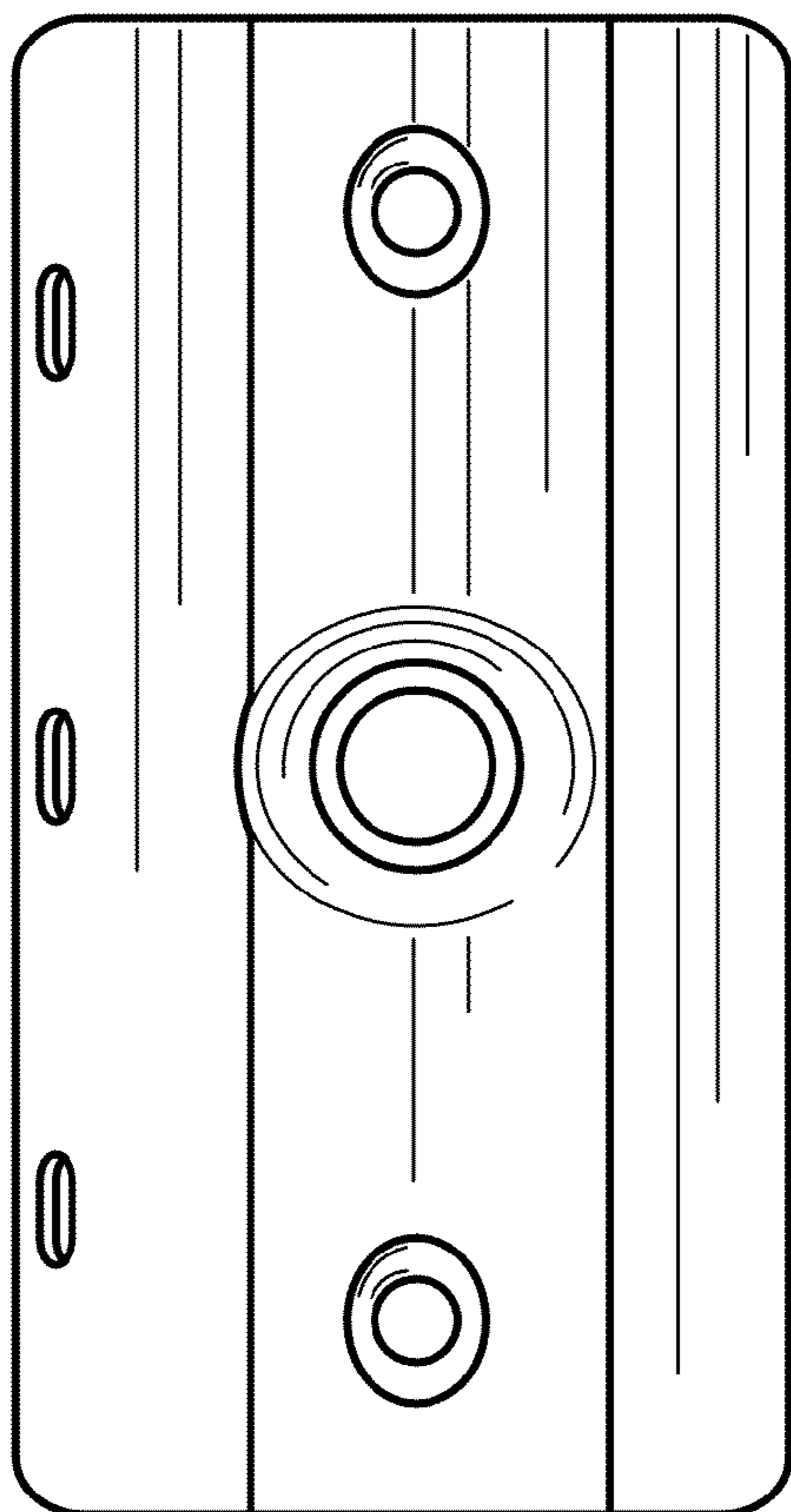
FIG. 2 is a side view thereof.

FIG. 3 is a bottom view thereof.

FIG. 4 is a top view thereof; and,

FIG. 5 is a rear view thereof.

1 Claim, 3 Drawing Sheets



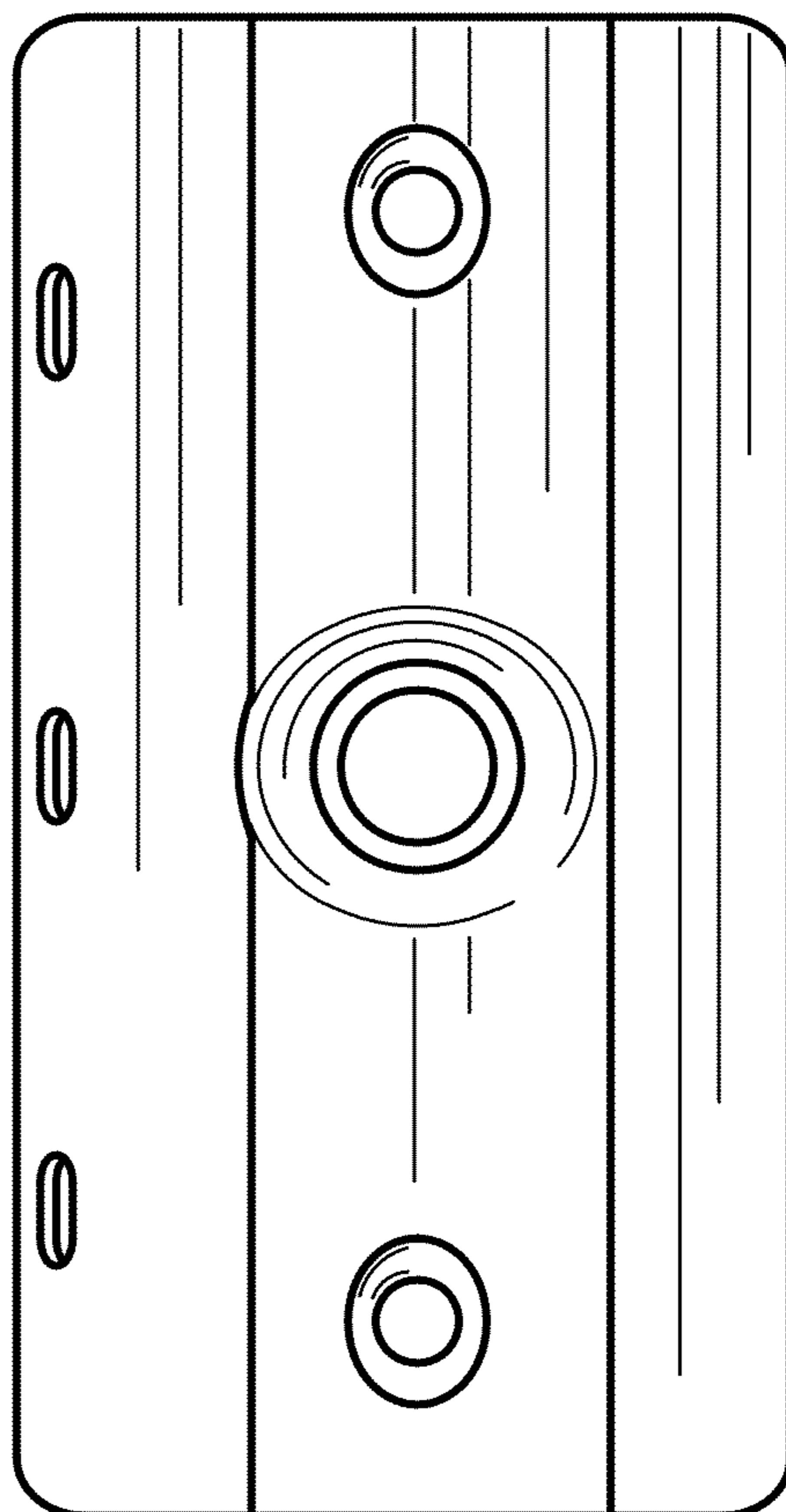


FIG. 1

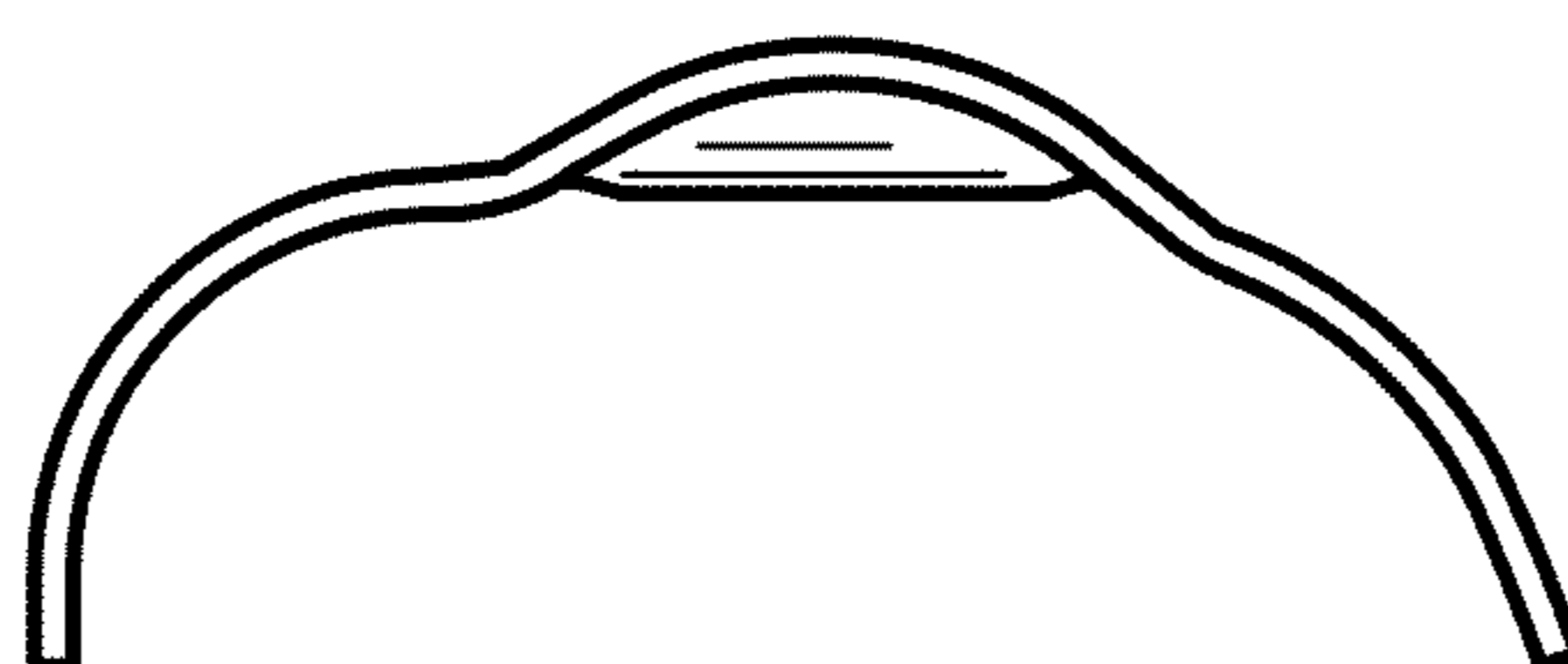


FIG. 2

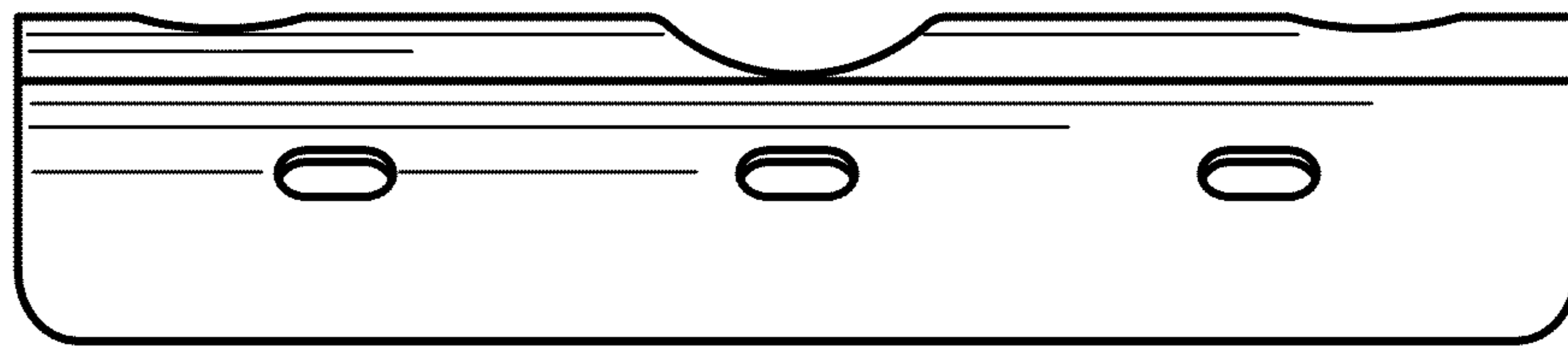


FIG. 3

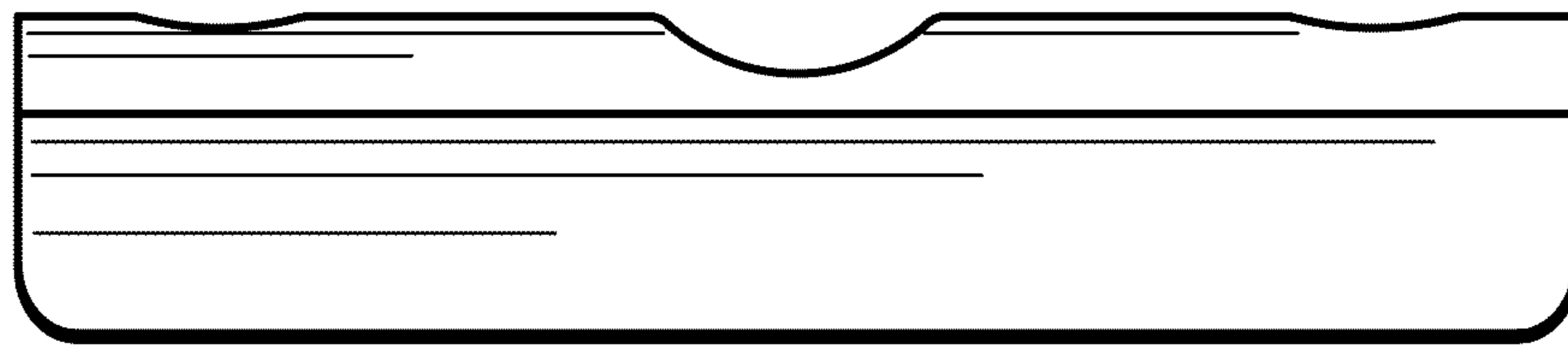


FIG. 4

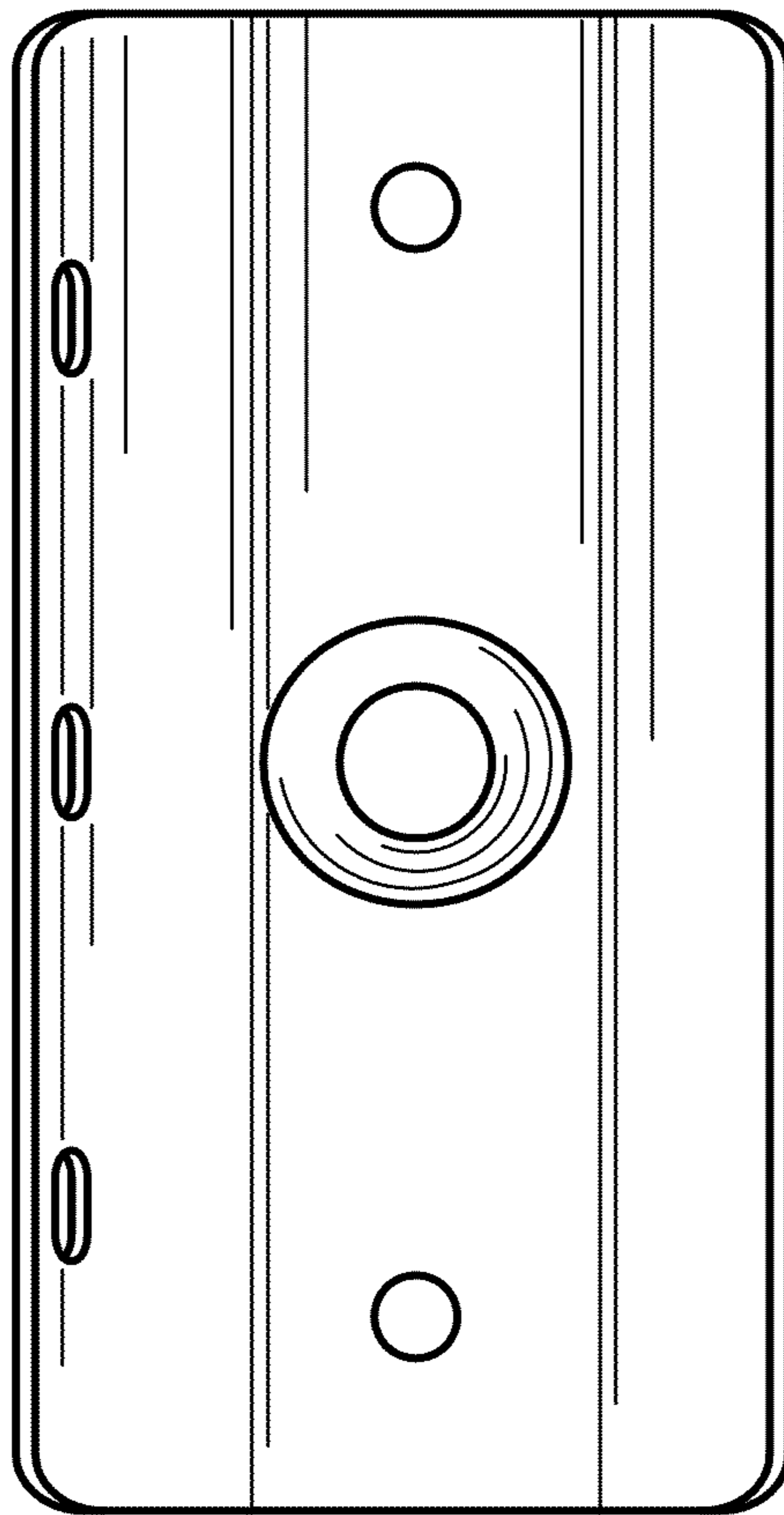


FIG. 5