

US00D760426S

(12) **United States Design Patent**
Blum et al.

(10) **Patent No.:** **US D760,426 S**
(45) **Date of Patent:** **** Jun. 28, 2016**

- (54) **LUMINAIRE**
- (71) Applicant: **ABL IP Holding, LLC**, Conyers, GA (US)
- (72) Inventors: **Darren Blum**, San Mateo, CA (US);
Peter Y. Y. Ngai, Alamo, CA (US)
- (73) Assignee: **ABL IP Holding, LLC**, Conyers, GA (US)
- (**) Term: **14 Years**
- (21) Appl. No.: **29/525,766**
- (22) Filed: **May 1, 2015**
- (51) **LOC (10) Cl.** **26-99**
- (52) **U.S. Cl.**
USPC **D26/120**
- (58) **Field of Classification Search**
USPC D26/67-71, 92, 93, 107, 118, 120
CPC F21S 9/03; F21S 8/085; F21S 8/086;
F21S 8/043; F21S 6/002; F21S 6/003; F21W
2131/103; F21V 15/01; F21V 21/16
See application file for complete search history.

- D713,589 S 9/2014 Blum et al.
- D713,591 S 9/2014 Blum et al.
- D720,879 S 1/2015 Blum et al.
- D730,560 S 5/2015 Tran et al.
- D732,223 S * 6/2015 Ahrari D26/71
- D732,726 S * 6/2015 Cuthbert D26/107
- D733,351 S * 6/2015 Cuthbert D26/107
- 2012/0306382 A1* 12/2012 Maxik F21S 2/00
315/152

(Continued)

OTHER PUBLICATIONS

Visionox prototype desk lamps shown in Figure 2 of “The Future of OLED Lighting” published in LED Professional—LED Lighting Technology Jul. 21, 2010. <http://www.led-professional.com/technology/light-generation/the-future-of-oled-lighting>.*

(Continued)

Primary Examiner — Clare E Heflin

(74) *Attorney, Agent, or Firm* — Beeson Skinner Beverly, LLP

(57) **CLAIM**

The ornamental design for a luminaire, as shown and described.

DESCRIPTION

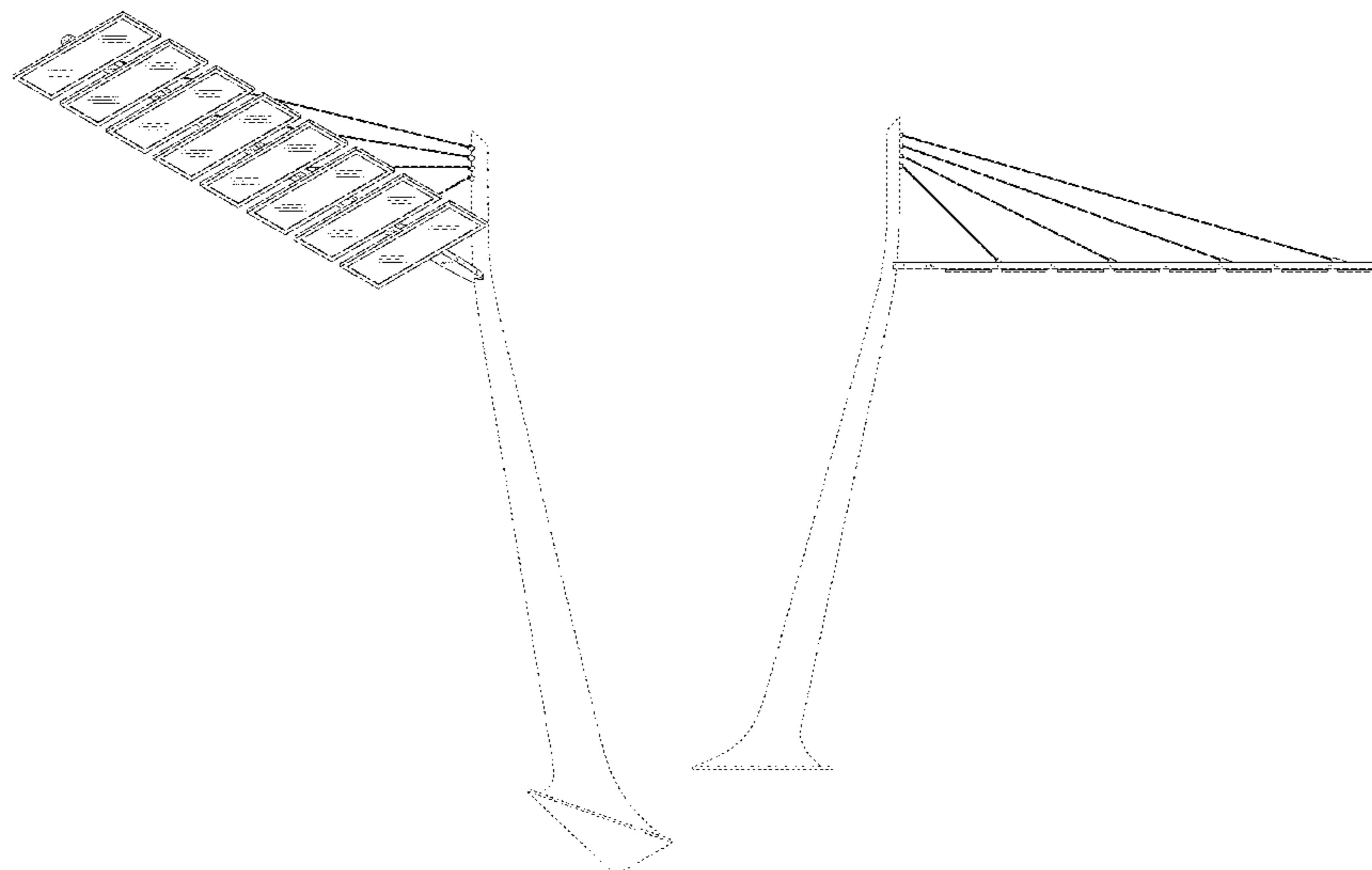
FIG. 1 is a bottom front perspective view of a luminaire showing our new design;
FIG. 2 is a top rear perspective view thereof;
FIG. 3 is a left side elevational view thereof, the right side being a mirror image;
FIG. 4 is front elevational view thereof;
FIG. 5 is a rear elevational view thereof;
FIG. 6 is a top plan view thereof; and,
FIG. 7 is a bottom plan view thereof.
The broken lines shown in FIGS. 1-7 represent a support base for the luminaire. The support base forms no part of the claimed design.

1 Claim, 4 Drawing Sheets

(56) **References Cited**

U.S. PATENT DOCUMENTS

- D247,638 S * 3/1978 Kreuzler D26/107
- D598,597 S * 8/2009 Lu D26/68
- D645,197 S * 9/2011 Waldmann D26/107
- D654,212 S 2/2012 Blum et al.
- D672,914 S 12/2012 Tran et al.
- D675,772 S 2/2013 Tran et al.
- D675,773 S 2/2013 Blum et al.
- D676,997 S 2/2013 Tang et al.
- D679,858 S 4/2013 Tran et al.
- 8,430,530 B2 4/2013 Aurongzeb et al.
- D698,967 S * 2/2014 Rangesh D26/71
- D701,991 S 4/2014 Blum et al.
- D703,864 S 4/2014 Blum et al.
- D711,031 S * 8/2014 Moghal D26/107
- D711,032 S * 8/2014 Moghal D26/107



US D760,426 S

Page 2

(56)

References Cited

U.S. PATENT DOCUMENTS

2013/0107555 A1* 5/2013 Quinn F21L 4/08
362/485
2013/0294067 A1* 11/2013 Engel-Hall F21V 21/15
362/233

2016/0018074 A1* 1/2016 Diamond F21S 8/085
362/183

OTHER PUBLICATIONS

Co-Pending Design U.S. Appl. No. 29/525,761, filed May 1, 2015.

* cited by examiner

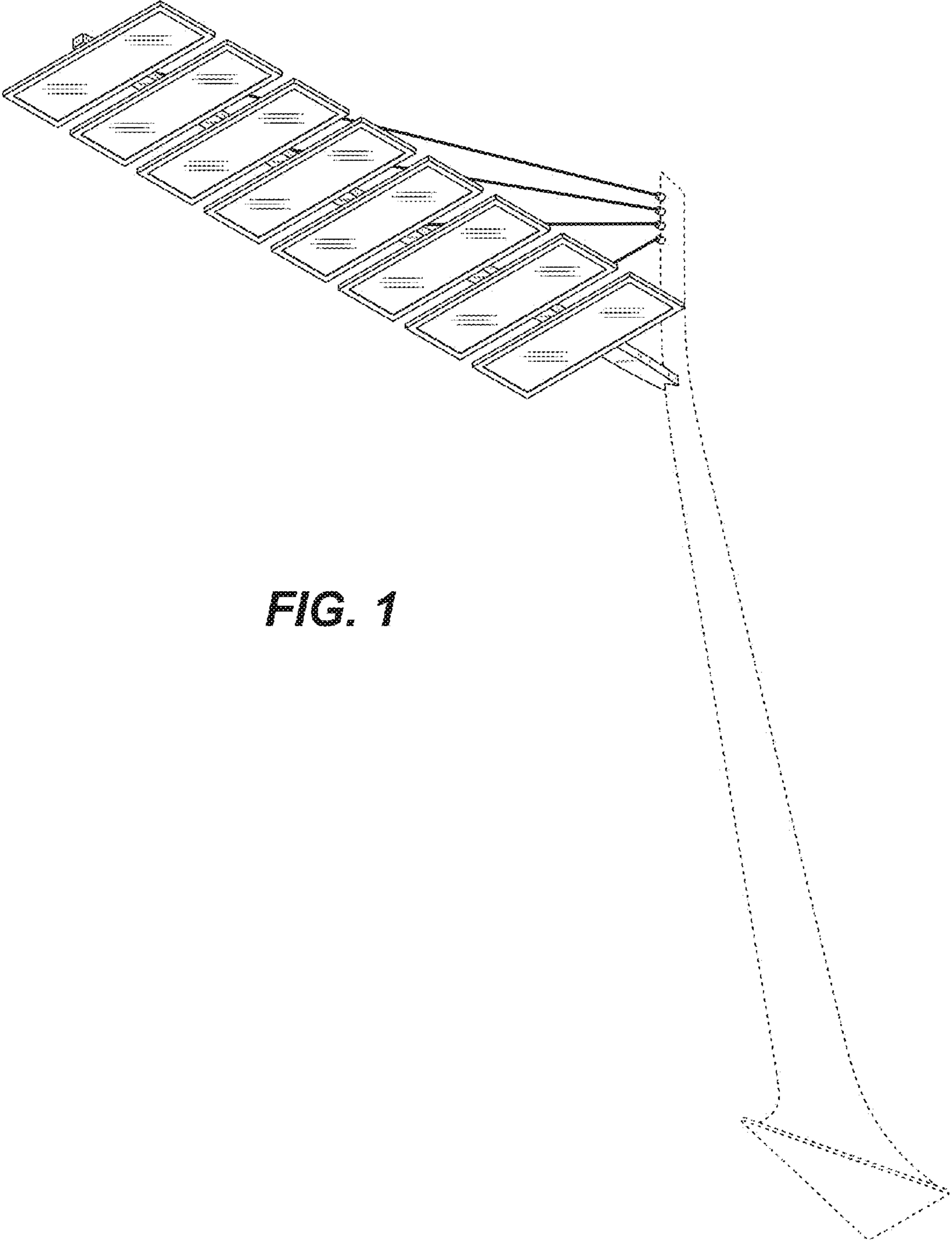


FIG. 1

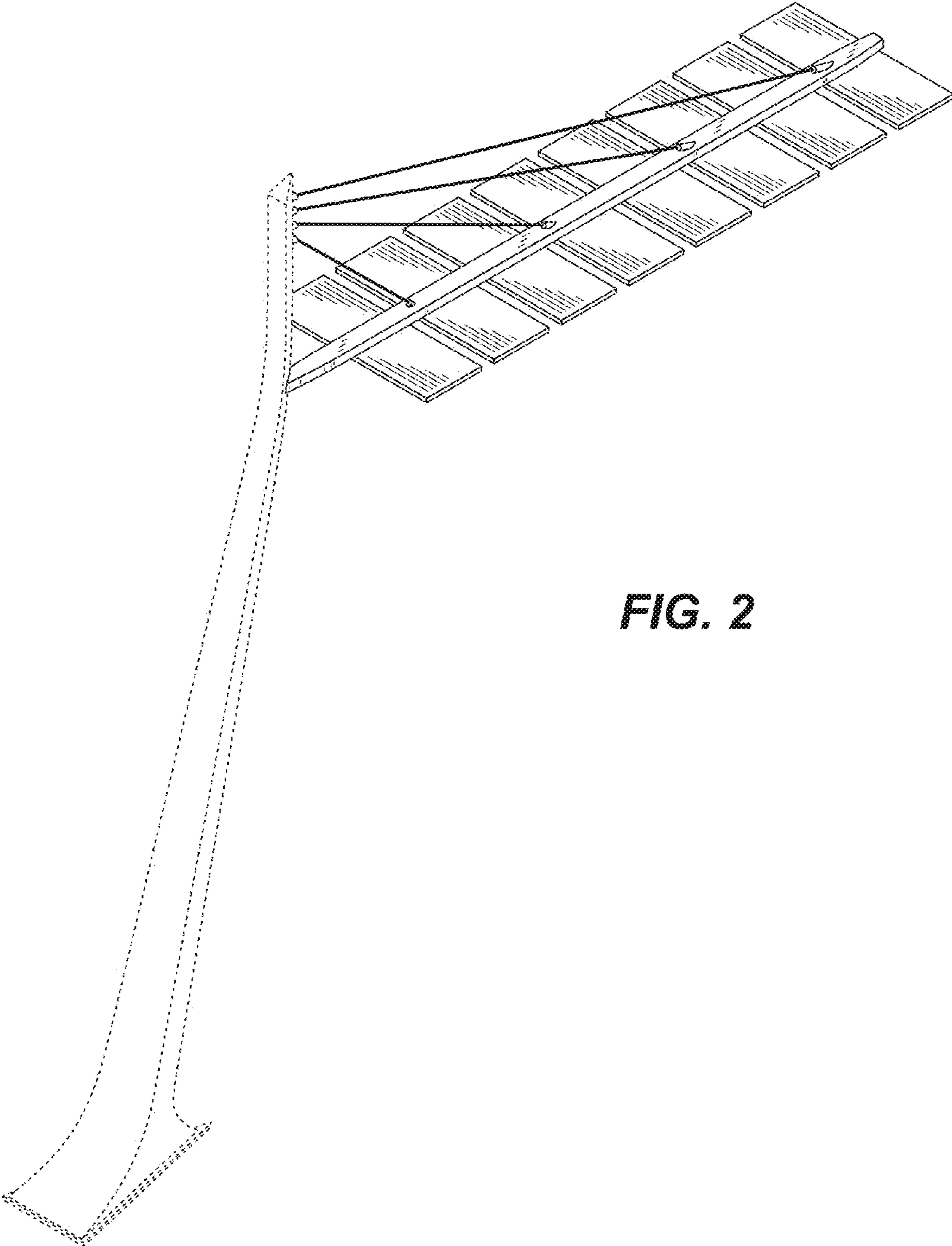


FIG. 2

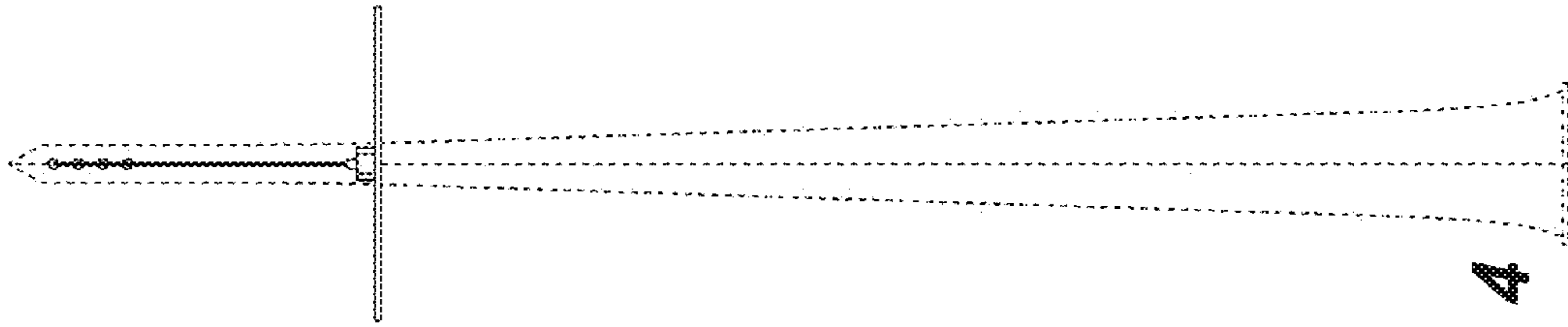


FIG. 4

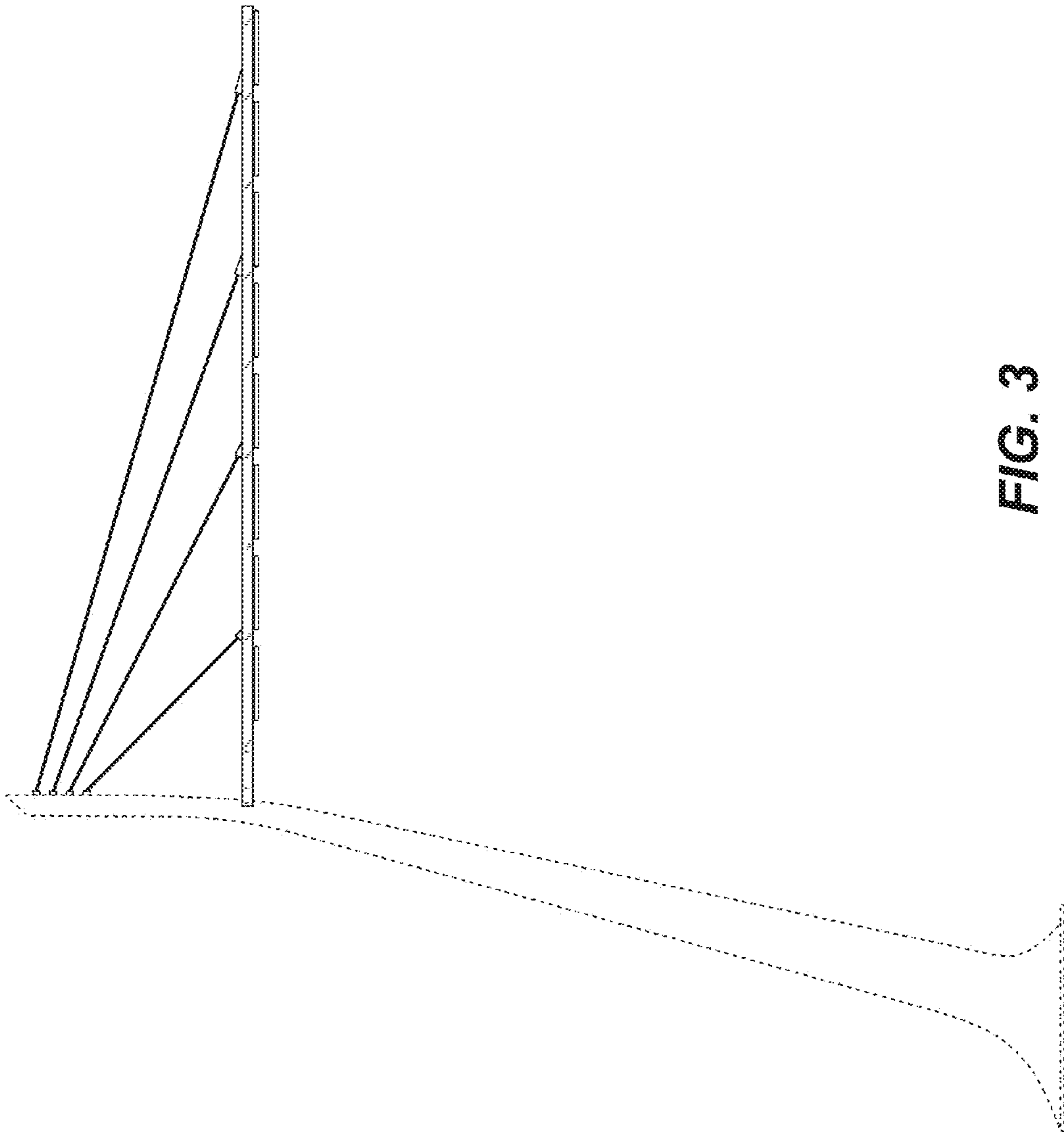


FIG. 3

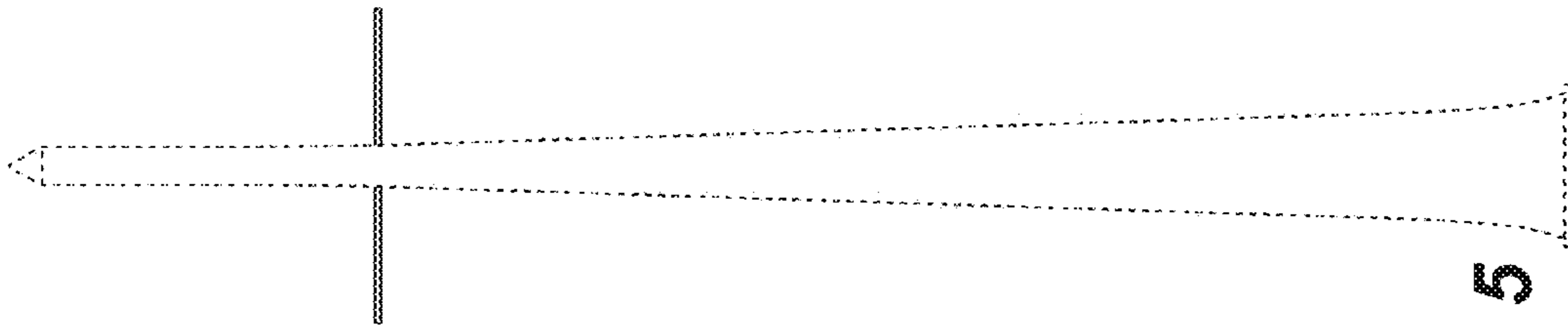


FIG. 5

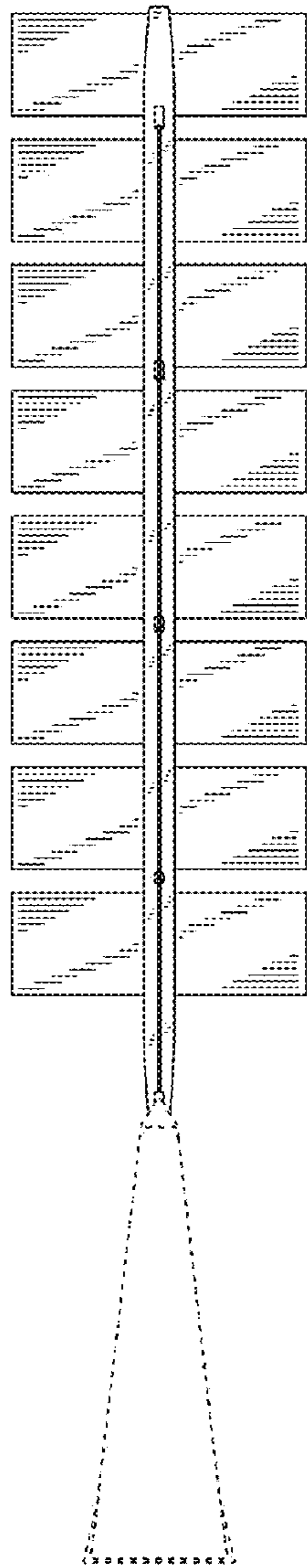


FIG. 6

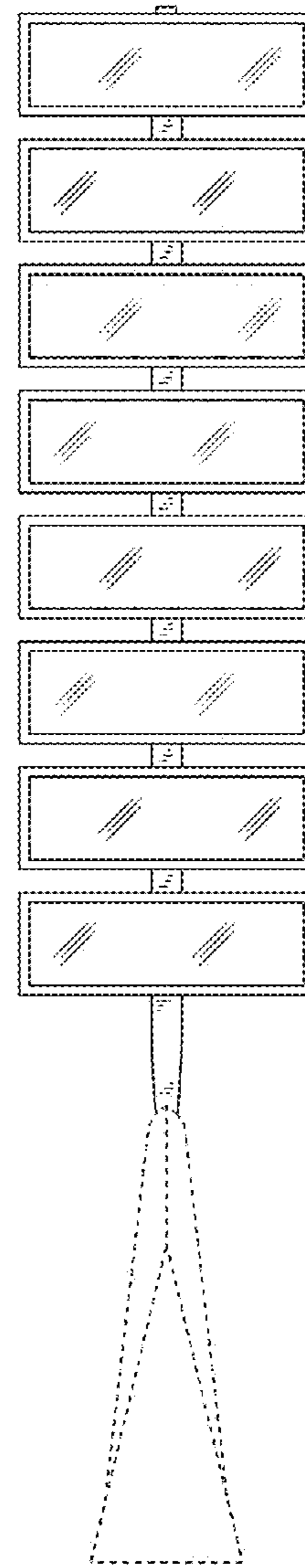


FIG. 7