



US00D760425S

(12) **United States Design Patent**  
**Seehof et al.**

(10) **Patent No.:** **US D760,425 S**  
(45) **Date of Patent:** **\*\* Jun. 28, 2016**

(54) **DUAL LIT GRAB RAIL ASSEMBLY**

(71) Applicant: **Hansen International, Inc.**, Lexington, SC (US)

(72) Inventors: **John J. Seehof**, Blythewood, SC (US);  
**Sean T. Burns**, Lexington, SC (US);  
**Jeffery W Berry**, Brevard, NC (US)

(73) Assignee: **Hansen International, Inc.**, Lexington, SC (US)

(\*\*) Term: **14 Years**

(21) Appl. No.: **29/507,847**

(22) Filed: **Oct. 31, 2014**

(51) **LOC (10) Cl.** ..... **26-06**

(52) **U.S. Cl.**  
USPC ..... **D26/118; D25/41.1**

(58) **Field of Classification Search**  
USPC ..... D26/25-26, 28, 51, 55-57, 59-64, 66,  
D26/72-91, 93, 113, 118-120, 122, 138,  
D26/140-142; 362/145-148, 150-153,  
362/153.1, 217.01, 217.02, 217.05-217.07,  
362/217.1, 217.15, 218, 223, 241, 249,  
362/249.02, 296.07, 296.08, 294, 299,  
362/311.02, 362, 373, 600, 608, 609, 640,  
362/641; D11/142, 143, 144, 155; D8/300,  
D8/303; D21/673; D32/31, 32; D25/38.1,  
D25/41.1, 43; D6/522-524  
CPC ..... F21V 15/01; F21V 15/13; F21V 21/02;  
F21V 21/04; F21V 7/0008  
See application file for complete search history.

(56) **References Cited**

**U.S. PATENT DOCUMENTS**

1,915,112 A 7/1931 Whitstein  
D137,334 S \* 2/1944 Siemens ..... D26/119  
D161,700 S \* 1/1951 Marker ..... D26/76  
3,569,689 A 3/1971 Nestrock

D269,910 S 7/1983 Johansson  
4,895,332 A 1/1990 Hansen et al.  
5,200,240 A 4/1993 Baker  
D353,467 S \* 12/1994 Raynes ..... D25/38.1  
D361,153 S \* 8/1995 Fernandes ..... D26/138  
D389,460 S \* 1/1998 Wei-Hong ..... D26/140  
D395,725 S \* 6/1998 West ..... D26/67  
5,779,228 A 7/1998 Hansen  
D446,877 S \* 8/2001 Lester ..... D26/72  
D459,516 S \* 6/2002 Demers et al. .... D26/75  
D474,281 S 5/2003 Hansen  
D487,252 S \* 3/2004 Schweitzer ..... D26/24  
D505,744 S \* 5/2005 Kan ..... D26/76  
D509,906 S 9/2005 Enersen  
D536,110 S \* 1/2007 Wright ..... D26/24  
7,226,191 B1 6/2007 Martinez

(Continued)

*Primary Examiner* — Cynthia Ramirez

*Assistant Examiner* — Llorellys Martinez-Rivera

(74) *Attorney, Agent, or Firm* — JK Intellectual Property Law, PA

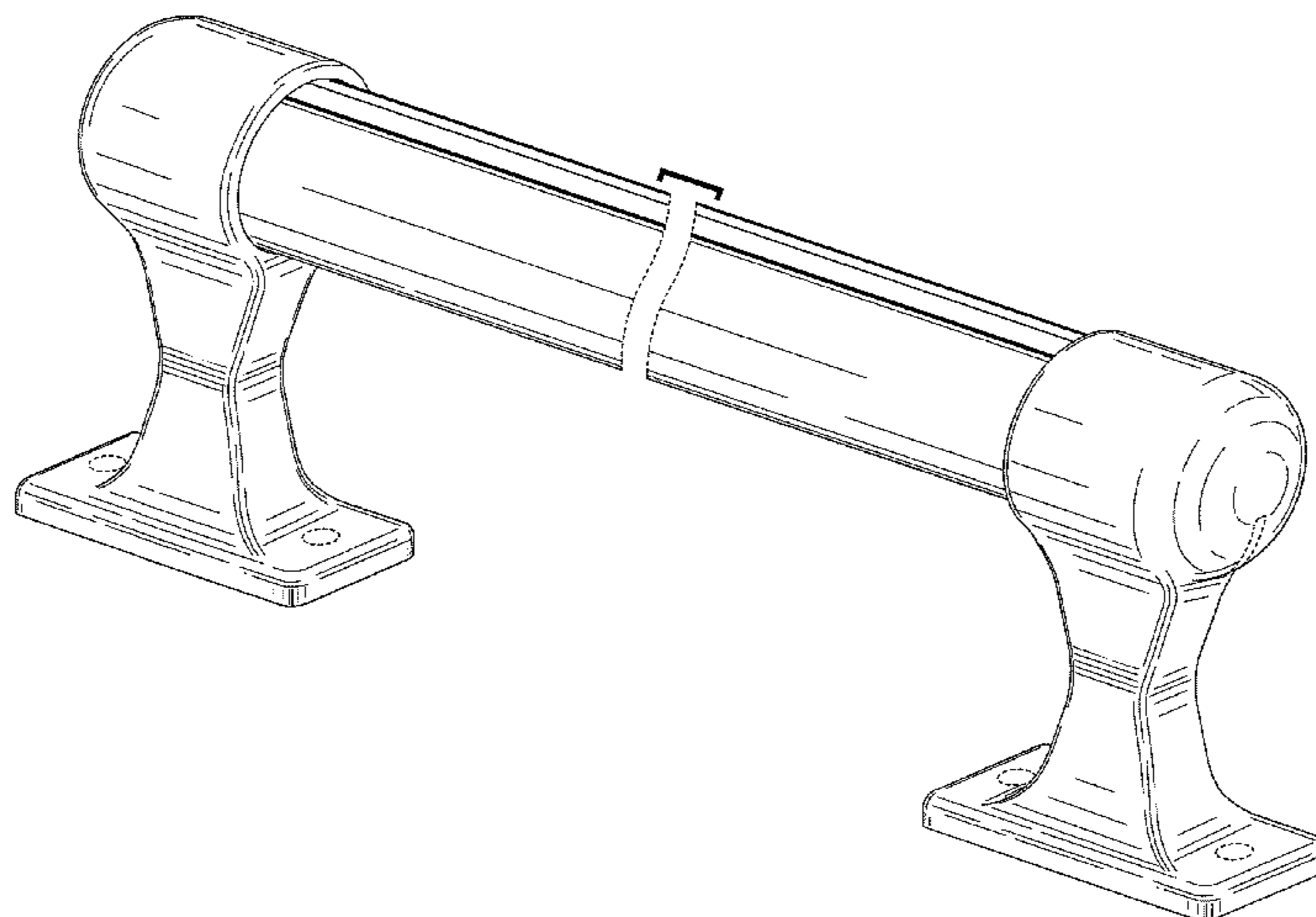
(57) **CLAIM**

The ornamental design for a dual lit grab rail assembly, as shown and described.

**DESCRIPTION**

FIG. 1 is a perspective view of a dual lit grab rail assembly showing the present design;  
FIG. 2 is a right side view thereof;  
FIG. 3 is a left side view thereof;  
FIG. 4 is a top view thereof;  
FIG. 5 is a bottom view thereof;  
FIG. 6 is a first end view thereof; and,  
FIG. 7 is an opposite end view thereof.  
The broken lines shown in FIGS. 1-7 illustrate portions of the dual lit grab rail assembly that form no part of the claimed design. The dual lit grab rail assembly is shown with a symbolic break in length. The appearance of any portion of the dual lit grab rail assembly between the break lines does not form part of the claimed design.

**1 Claim, 5 Drawing Sheets**



(56)

**References Cited**

U.S. PATENT DOCUMENTS

D550,885 S *	9/2007	Crosby .....	D26/76	D647,629 S	10/2011	Seehof
D564,854 S *	3/2008	Thompson .....	D8/300	D647,630 S	10/2011	Seehof
D592,417 S	5/2009	Cohn et al.		D647,631 S	10/2011	Seehof
D603,079 S *	10/2009	Toot et al. ....	D26/76	D648,039 S	11/2011	Seehof
D617,488 S *	6/2010	Cho .....	D26/76	D679,439 S *	4/2013	Lai .....
D621,955 S	8/2010	Seehof		D681,869 S *	5/2013	Goelz et al. ....
D630,768 S	1/2011	Witiak		D681,873 S *	5/2013	Hoch et al. ....
D634,876 S *	3/2011	McGrath et al. ....	D26/79	D683,471 S *	5/2013	Mukith et al. ....
D642,326 S *	7/2011	Leadford et al. ....	D26/138	8,567,986 B2 *	10/2013	Szprengiel et al. ....
D647,213 S	10/2011	Seehof		2010/0091494 A1 *	4/2010	Pearson et al. ....
D647,214 S	10/2011	Seehof		2010/0220476 A1 *	9/2010	Kuo et al. ....
D647,215 S	10/2011	Seehof		2011/0038144 A1 *	2/2011	Chang .....
				2011/0310604 A1 *	12/2011	Shimizu et al. ....
				2013/0182428 A1	7/2013	Seehof et al.

\* cited by examiner

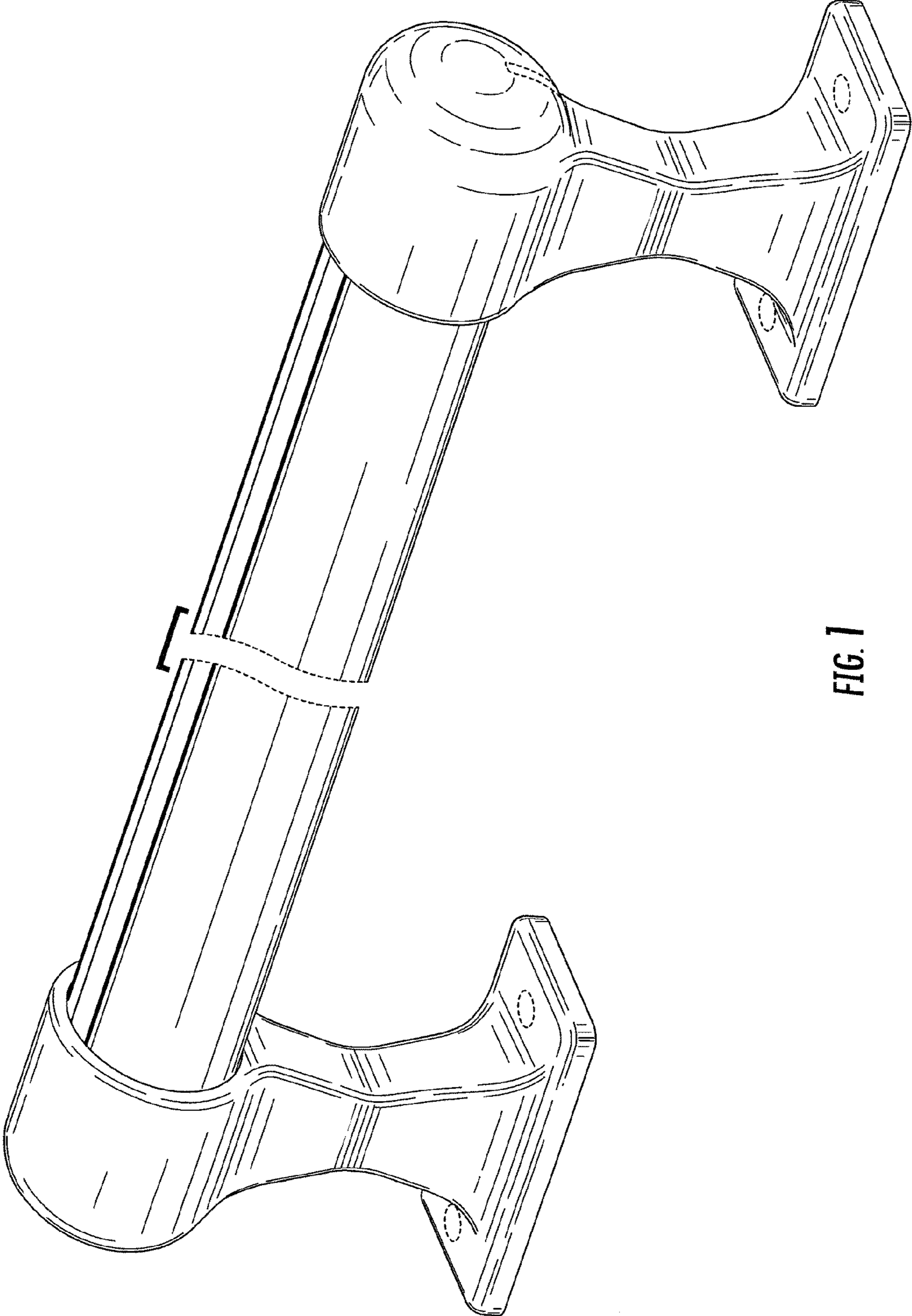


FIG. 1

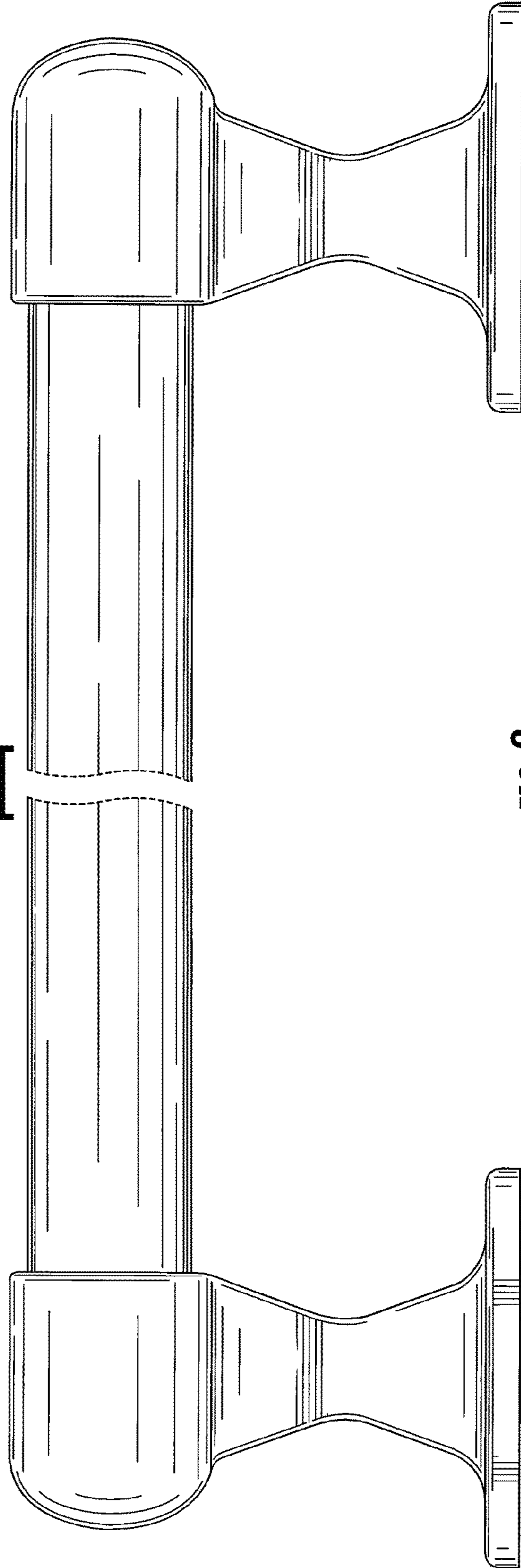


FIG. 2

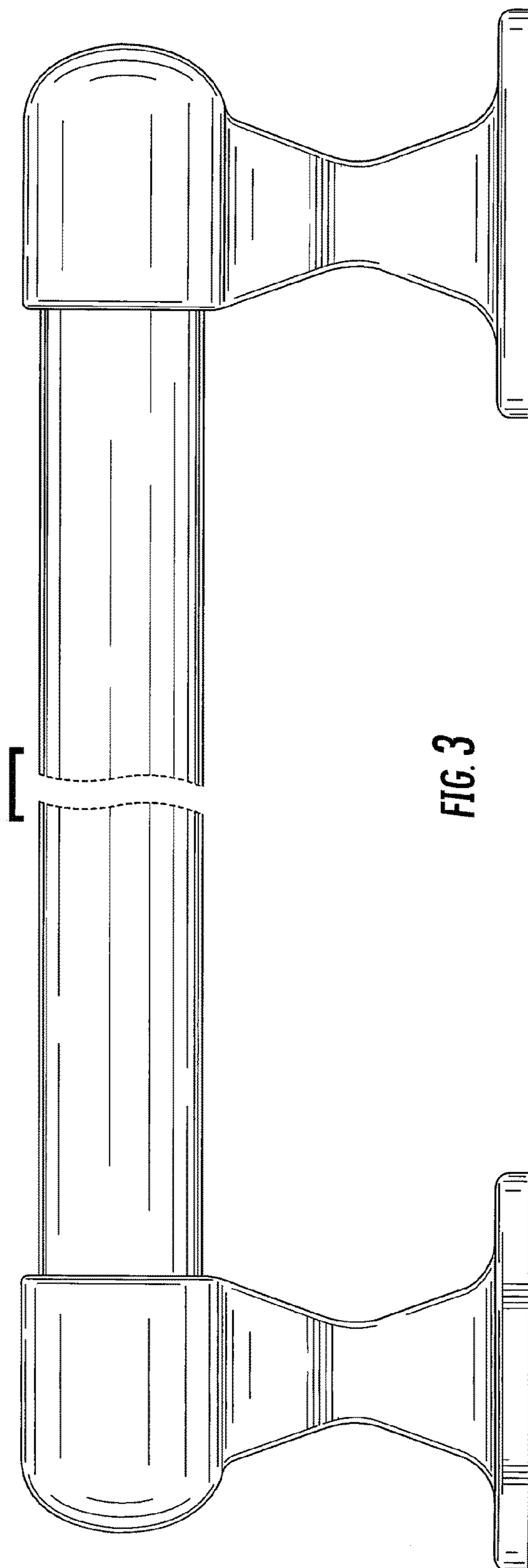


FIG. 3

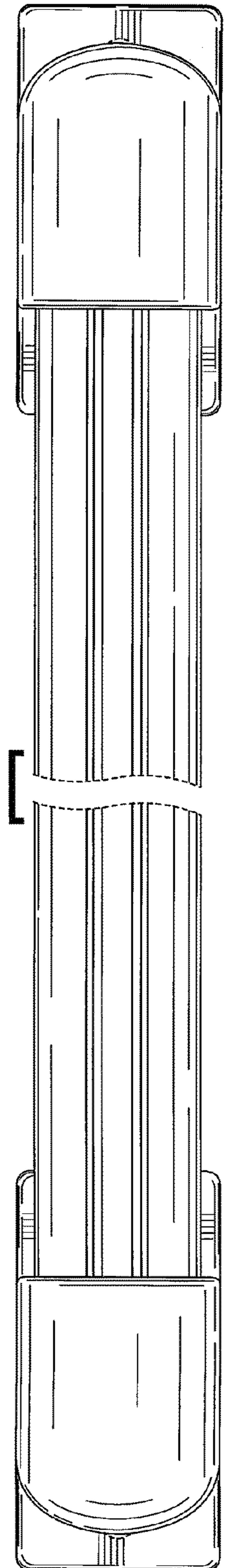


FIG. 4

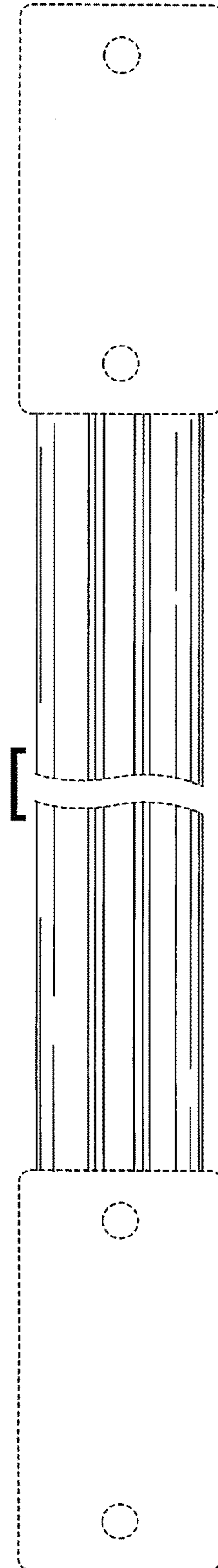
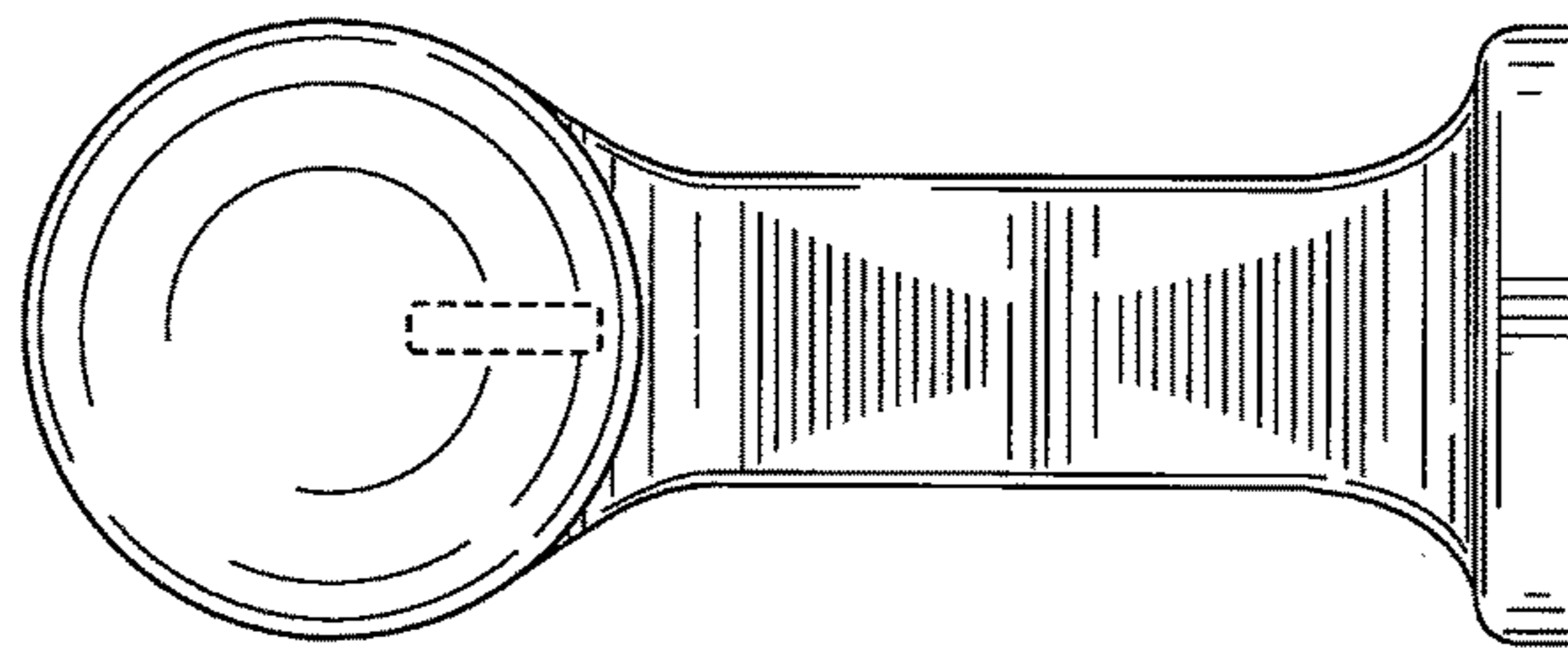
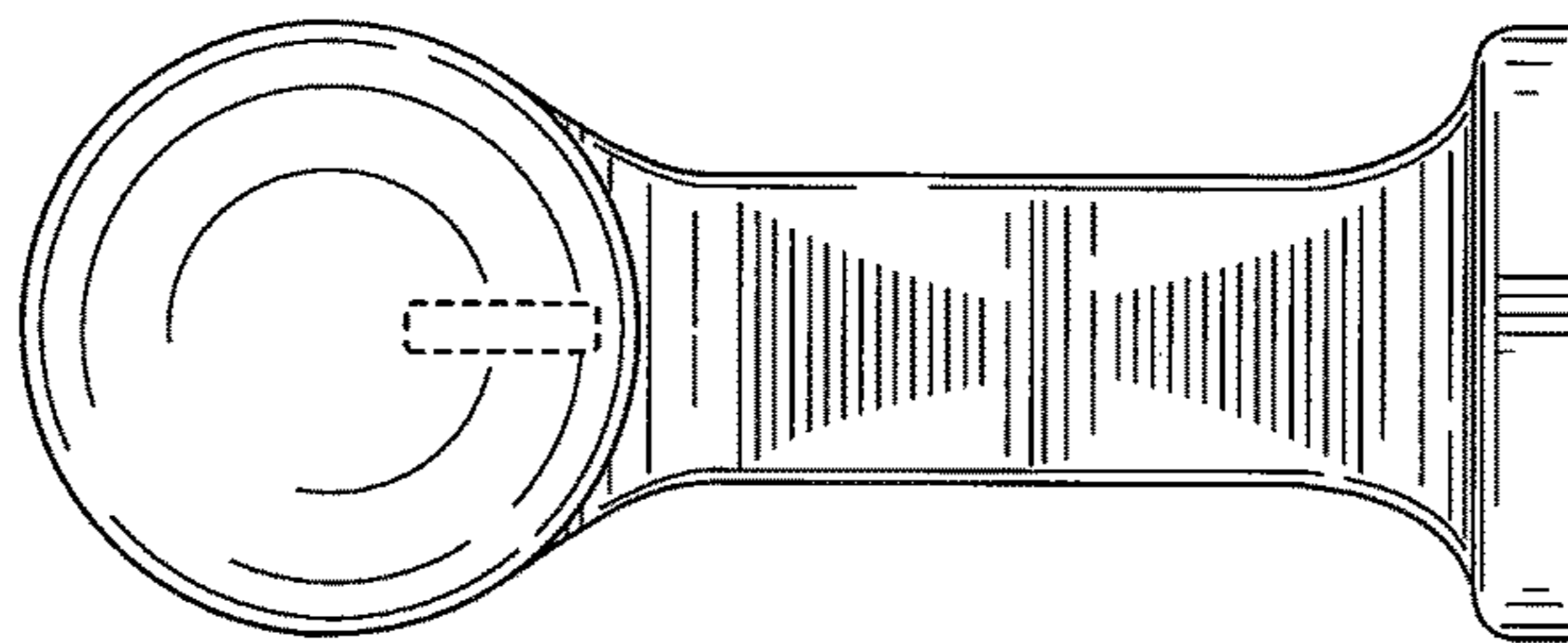


FIG. 5



**FIG. 7**



**FIG. 6**