



US00D760422S

(12) **United States Design Patent**
Li

(10) **Patent No.:** **US D760,422 S**
(45) **Date of Patent:** **** Jun. 28, 2016**

- (54) **ELECTRONIC PILLAR CANDLE**
- (71) Applicant: **Xiaofeng Li**, Shenzhen (CN)
- (72) Inventor: **Xiaofeng Li**, Shenzhen (CN)
- (**) Term: **14 Years**
- (21) Appl. No.: **29/493,977**
- (22) Filed: **Jun. 16, 2014**
- (51) **LOC (10) Cl.** **26-03**
- (52) **U.S. Cl.**
USPC **D26/96**
- (58) **Field of Classification Search**
USPC D26/4, 5, 6, 7, 9, 96
CPC F21S 6/00; F21S 6/001; F21S 10/04;
F21S 10/10; F21S 10/043; F21S 8/08; F21S
48/115; F21V 21/00; F21V 35/00; F21W
2121/00; C11C 5/002; C11C 5/0046
See application file for complete search history.

(56) **References Cited**

U.S. PATENT DOCUMENTS

- 2,451,725 A * 10/1948 Franklin C11C 5/006
29/600
- 5,078,591 A * 1/1992 Despres F21S 13/00
431/288
- D406,379 S * 3/1999 Andrews D26/96
- D488,582 S * 4/2004 Connelly D26/96
- D569,541 S * 5/2008 Shiu D26/96
- D669,615 S * 10/2012 Delcotto D26/6
- D706,963 S * 6/2014 Thompson D26/4

- 8,789,986 B2 * 7/2014 Li F21S 6/001
362/393
- D735,399 S * 7/2015 Liu D26/96
- D739,069 S * 9/2015 Bologeorges D26/13
- D739,573 S * 9/2015 Li D26/4

OTHER PUBLICATIONS

U.S. Appl. No. 29/493,982, filed Jun. 16, 2014, Li.

* cited by examiner

Primary Examiner — Brian N Vinson

(74) *Attorney, Agent, or Firm* — Perkins Coie LLP

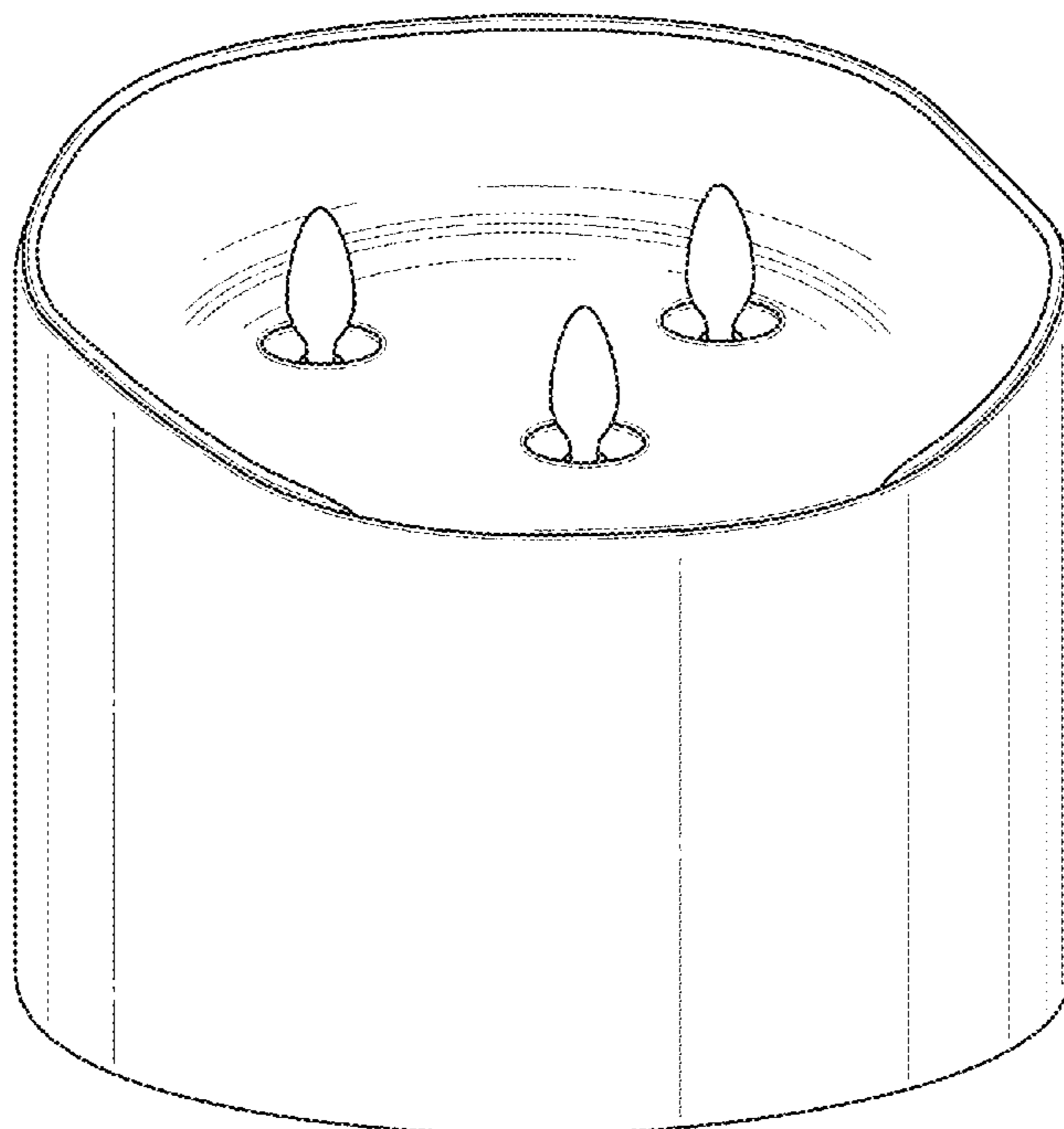
(57) **CLAIM**

The ornamental design for an electronic pillar candle, as shown and described.

DESCRIPTION

FIG. 1 is an isometric view of the electronic pillar candle; FIG. 2 is a front view of the electronic pillar candle of FIG. 1; FIG. 3 is a rear view of the electronic pillar candle of FIG. 1; FIG. 4 is a left side view of the electronic pillar candle of FIG. 1; FIG. 5 is a right side view of the electronic pillar candle of FIG. 1; FIG. 6 is a top view of the electronic pillar candle of FIG. 1; and, FIG. 7 is a bottom view of the electronic pillar candle of FIG. 1. The broken-line disclosure represents portions of the electronic pillar candle which form no part of the claimed design.

1 Claim, 4 Drawing Sheets



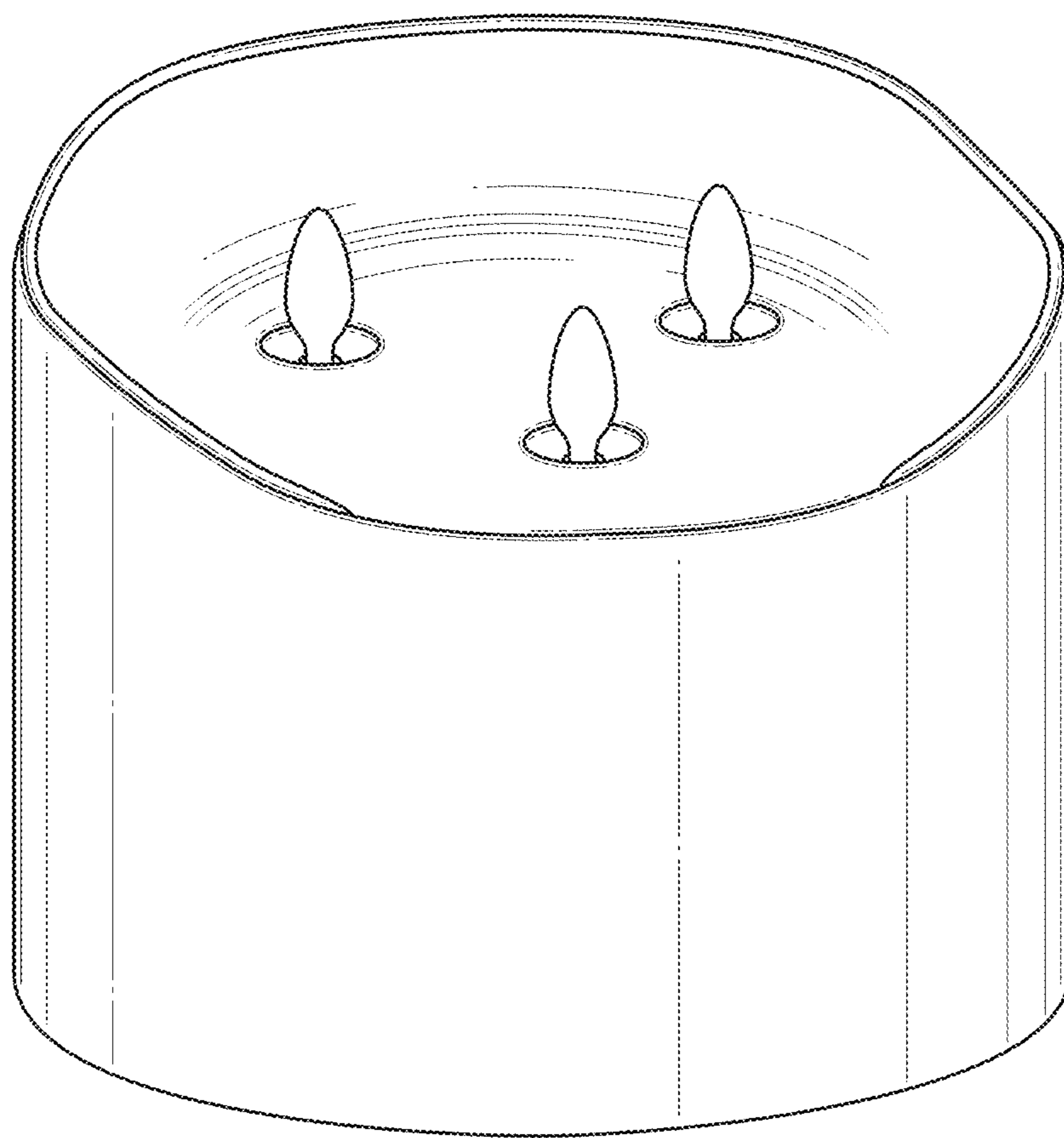


Fig. 1

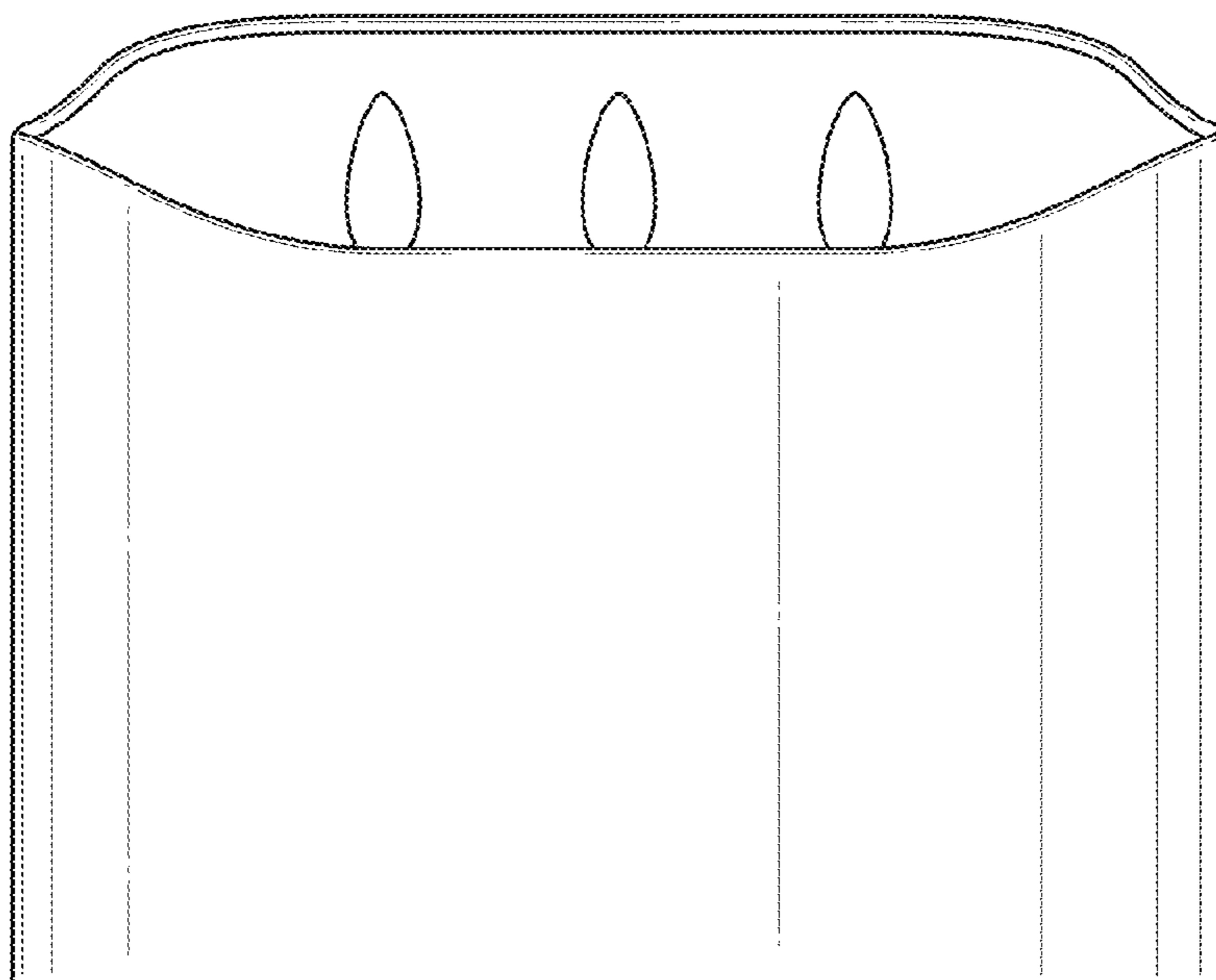


Fig. 2

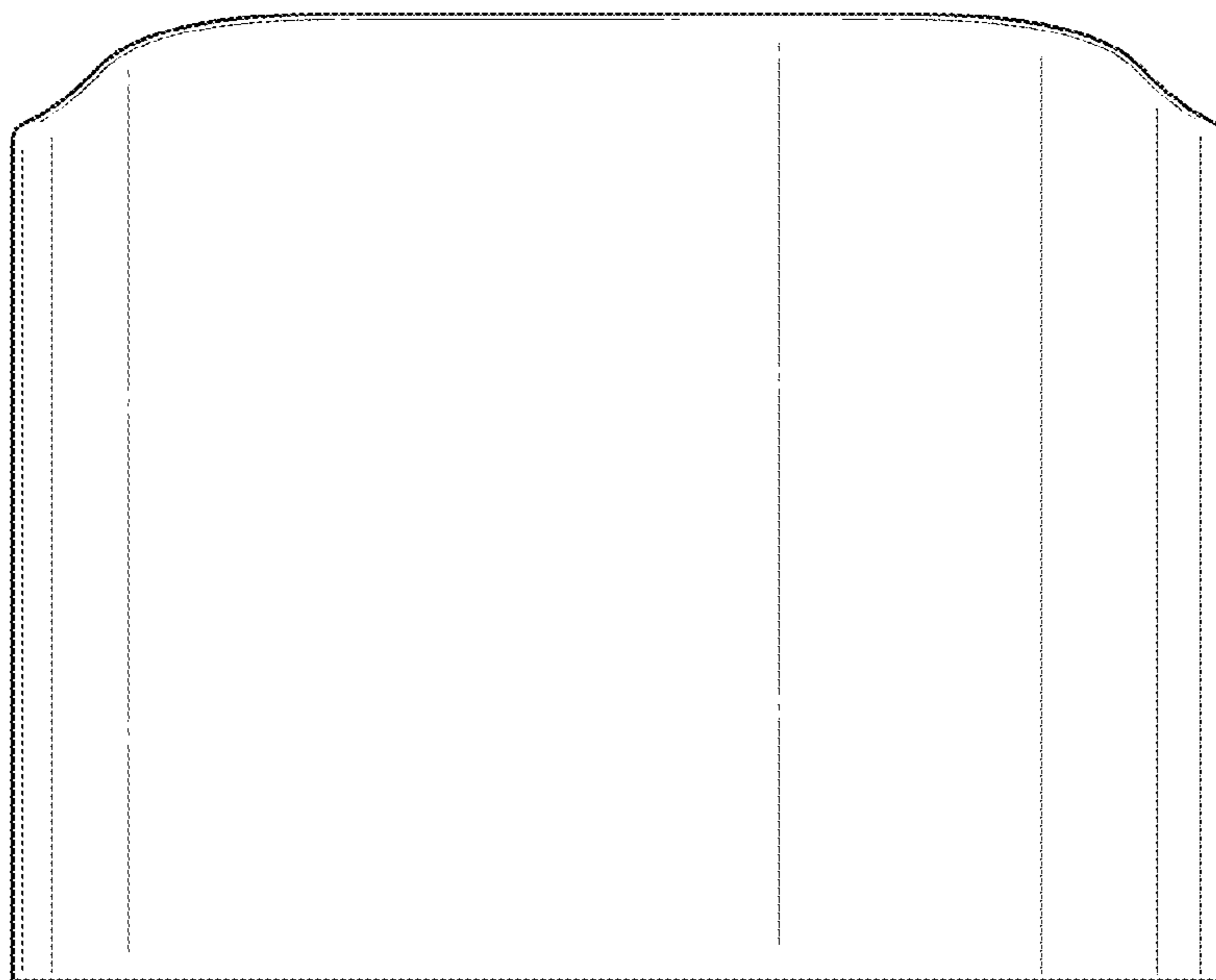


Fig. 3

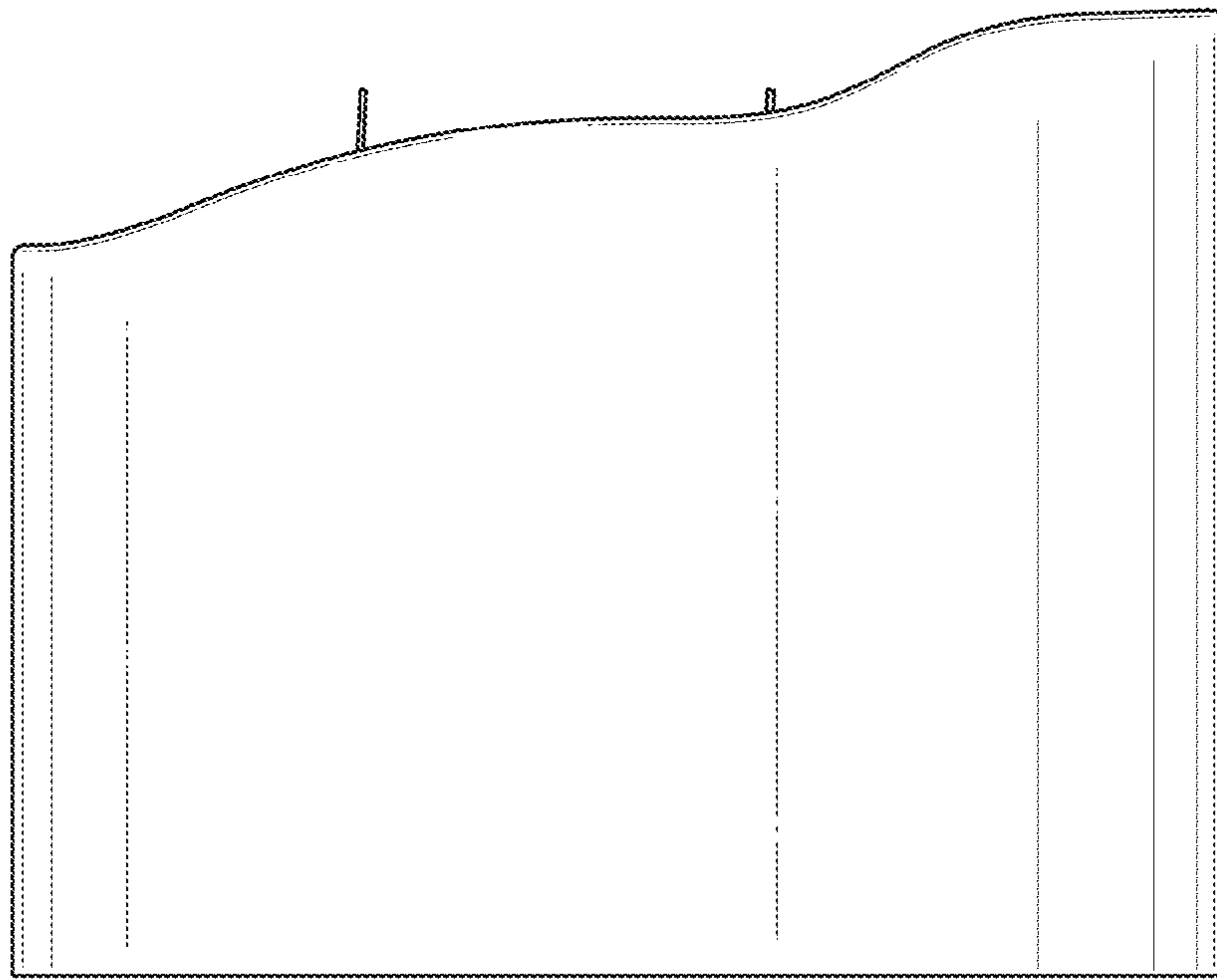


Fig. 4

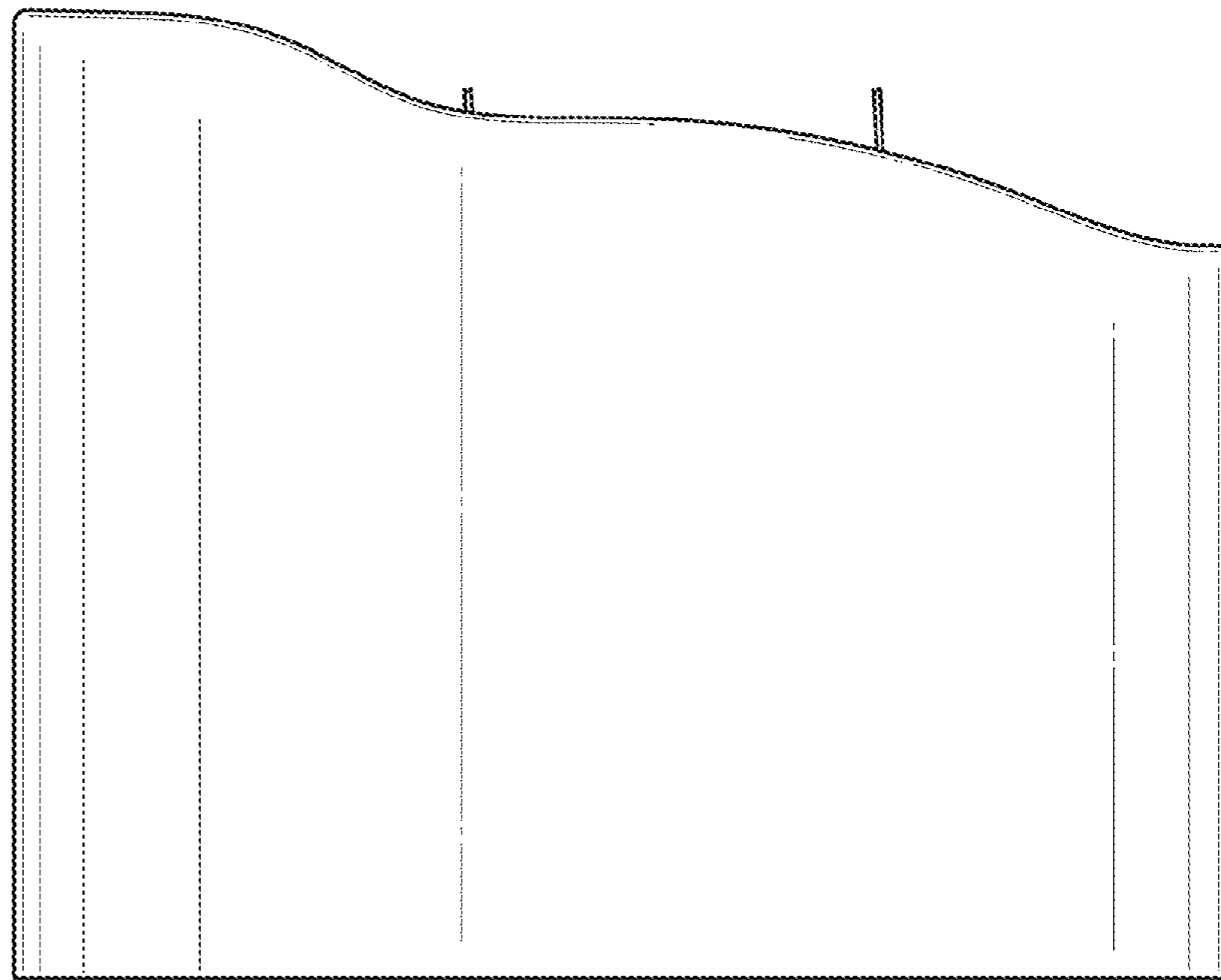


Fig. 5

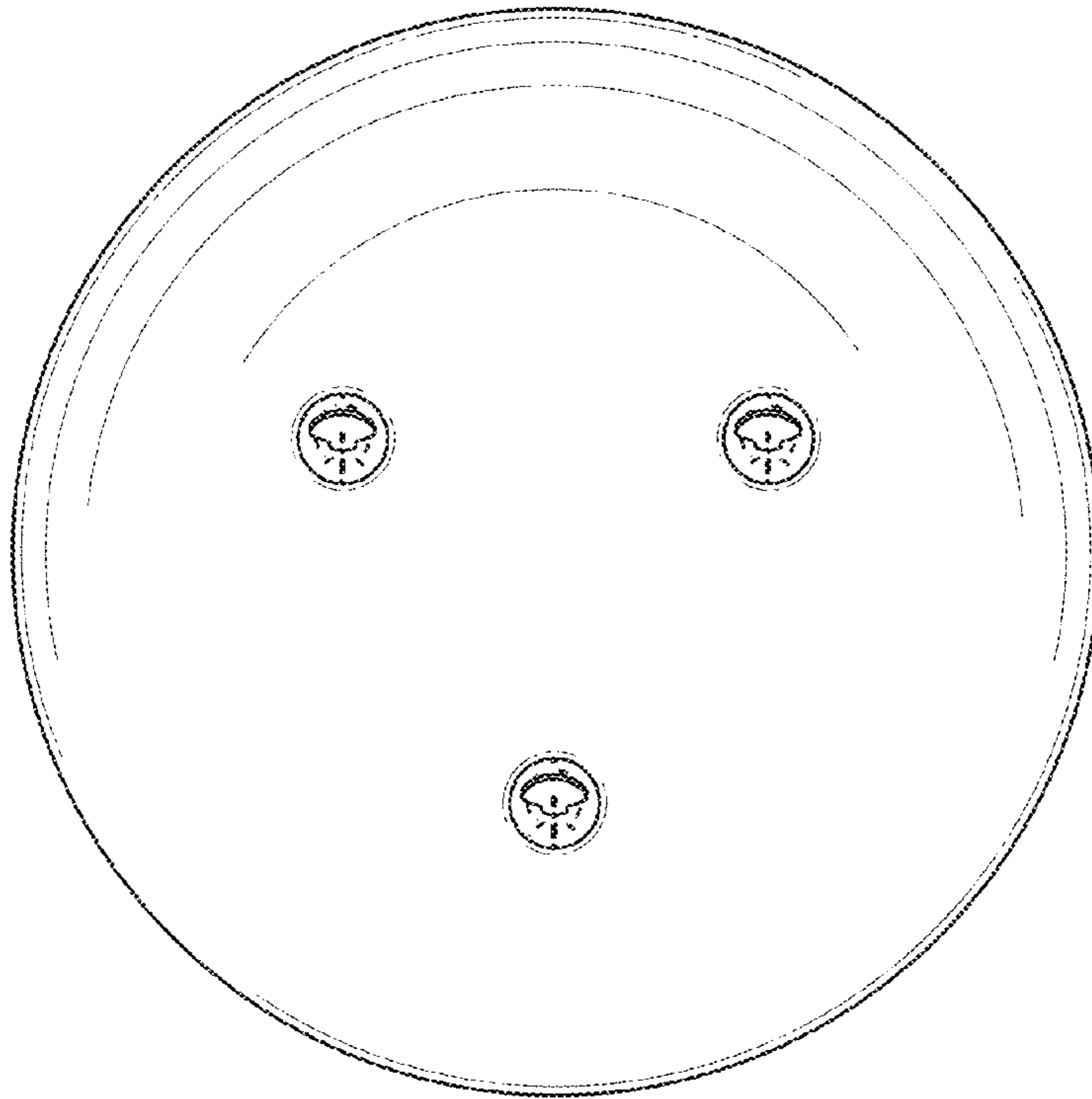


Fig. 6

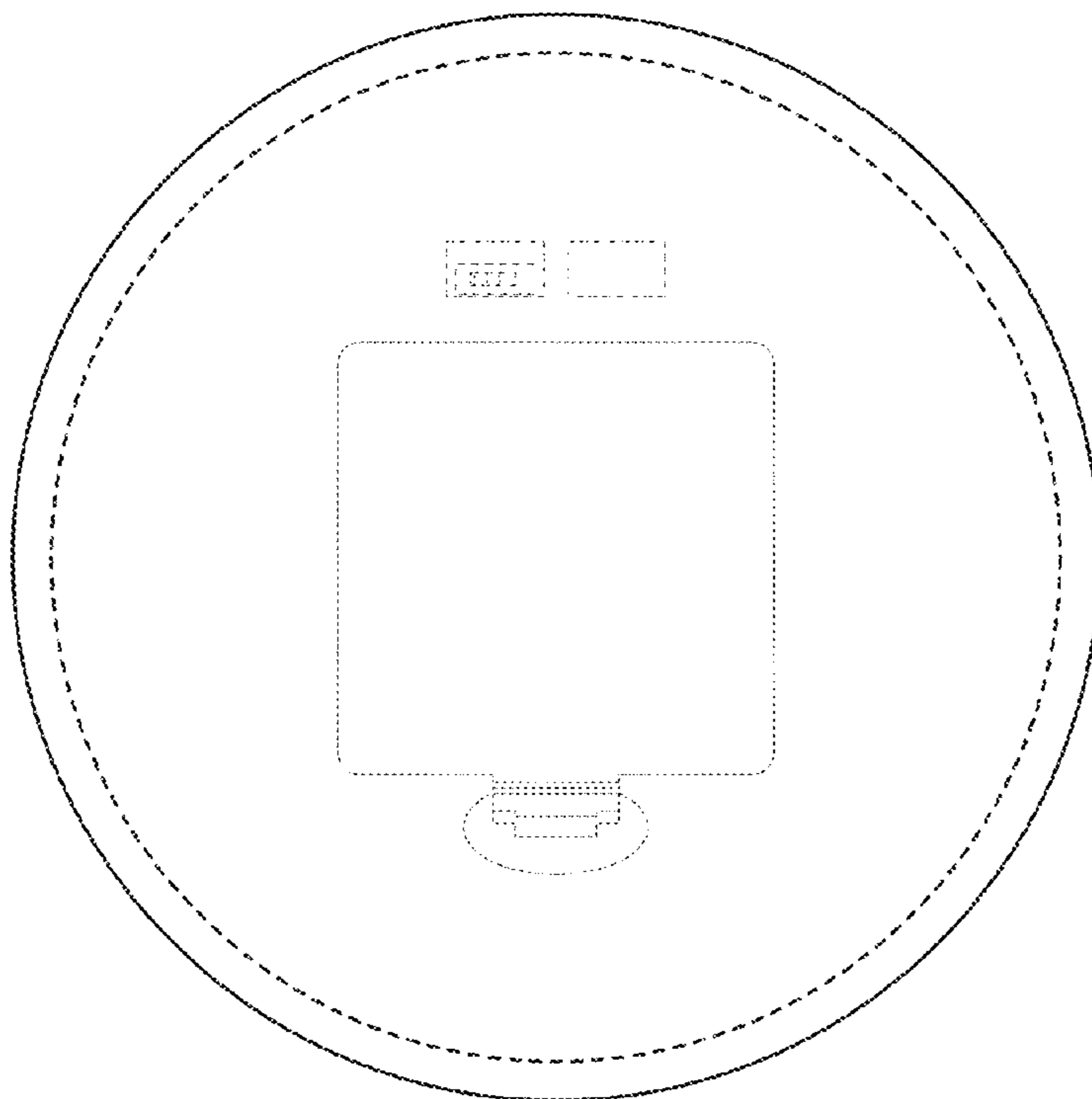


Fig. 7