

US00D760418S

(12) **United States Design Patent**  
**Muchandi et al.**

(10) **Patent No.:** **US D760,418 S**  
(45) **Date of Patent:** **\*\* Jun. 28, 2016**

(54) **LED LIGHTING HOUSING**  
(71) Applicant: **Appleton Grp LLC**, Rosemont, IL (US)  
(72) Inventors: **Sagar Rurdappa Muchandi**, Pune (IN);  
**Vishal Maruti Bavale**, Pune (IN);  
**Jinchandra Suresh Palase**, Pune (IN);  
**Sudhir Vasant Managuli**, Pune (IN);  
**Vinaya Nandish Kubsad**, Pune (IN);  
**William Leber**, Vernon Hills, IL (US)

8,602,599 B2 12/2013 Zimmer et al.  
8,764,243 B2 7/2014 Zimmer et al.  
D717,483 S \* 11/2014 Barnes ..... D26/72  
D728,146 S \* 4/2015 Ehrler ..... D26/89  
2004/0200035 A1 10/2004 Fries  
2016/0003455 A1\* 1/2016 Muchandi ..... F21V 17/107  
362/235

(73) Assignee: **Appleton Grp LLC**, Rosemont, IL (US)

(\*\*) Term: **14 Years**

(21) Appl. No.: **29/495,760**

(22) Filed: **Jul. 3, 2014**

(51) **LOC (10) Cl.** ..... **26-03**

(52) **U.S. Cl.**  
USPC ..... **D26/76**

(58) **Field of Classification Search**  
USPC ..... D26/76, 78, 79, 80, 81, 82, 83, 85, 86,  
D26/88, 90, 113, 118, 119, 120, 121, 122,  
D26/138, 139, 140, 141, 142  
CPC ..... F21S 2/00; F21S 4/00; F21S 4/003;  
F21S 4/005; F21S 4/006; F21S 4/007; F21S  
4/008; F21S 6/00; F21S 8/00; F21S 8/024;  
F21S 8/026; F21S 8/031; F21S 8/033; F21S  
8/035–8/037; F21S 8/04; F21S 8/043; F21S  
8/063  
See application file for complete search history.

(56) **References Cited**

**U.S. PATENT DOCUMENTS**

D496,122 S \* 9/2004 Kan ..... D26/76  
D579,139 S \* 10/2008 Ghini ..... D26/76  
D611,643 S \* 3/2010 Owen ..... D26/76  
D617,935 S \* 6/2010 Miletich ..... D26/76  
7,997,761 B2 8/2011 Peck et al.  
8,066,400 B2 11/2011 Curran et al.  
D662,245 S \* 6/2012 Steffy ..... D26/75  
8,231,245 B2 7/2012 Weimer et al.  
D665,524 S \* 8/2012 Bush ..... D26/76

**FOREIGN PATENT DOCUMENTS**

DE 202012001869 5/2012

**OTHER PUBLICATIONS**

Dialight, SafeSite LED Linear Fixture—UL 844 for Indoor and Outdoor Hazardous Locations, pre-Jul. 2014 representative catalogue, 8 pages.

\* cited by examiner

*Primary Examiner* — George D Kirschbaum

*Assistant Examiner* — Natasha Vujcic

(74) *Attorney, Agent, or Firm* — McDonnell Boehnen Hulbert & Berghoff LLP

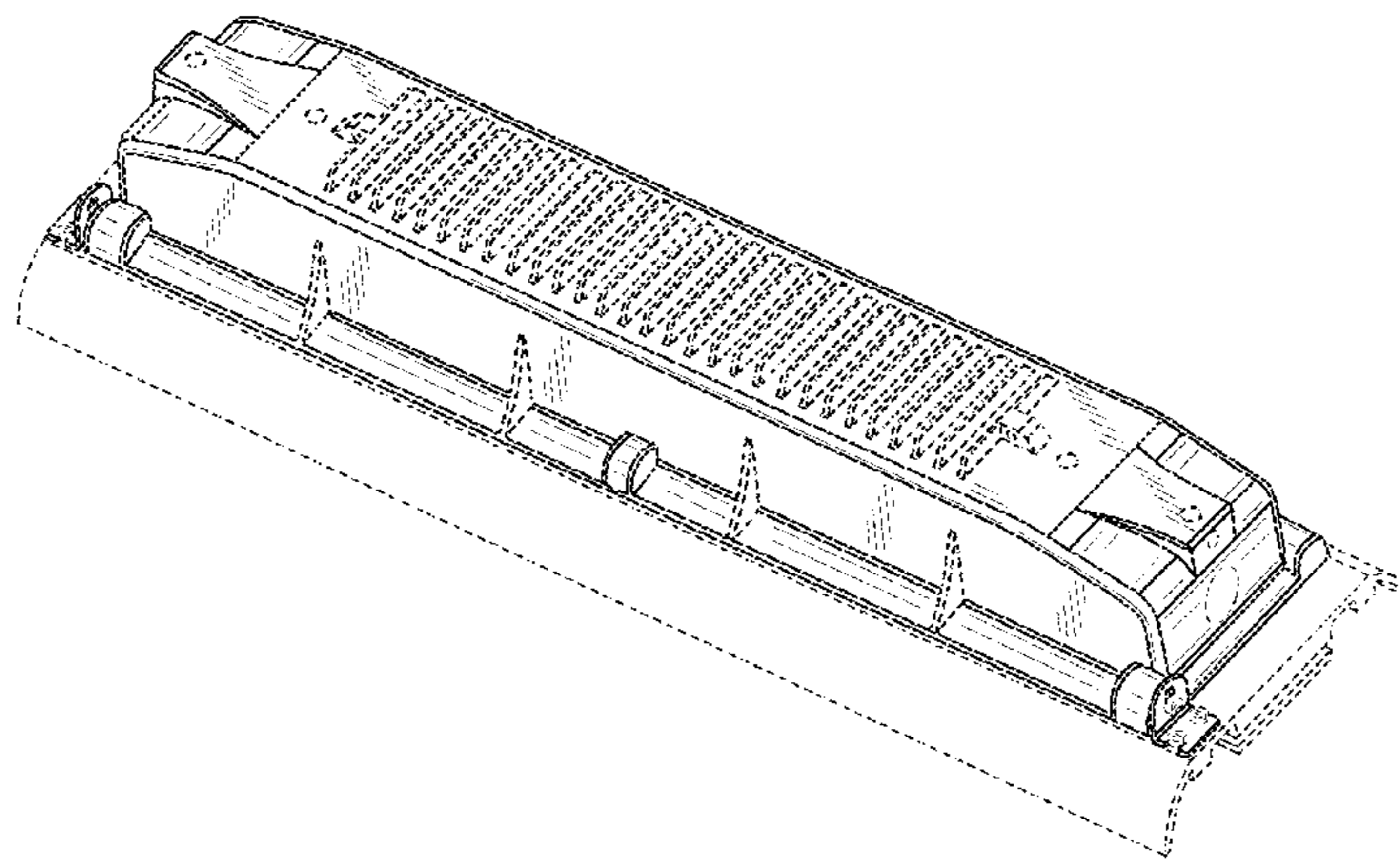
(57) **CLAIM**

The ornamental design for an LED lighting housing, as shown and described.

**DESCRIPTION**

FIG. 1 is a perspective back view of a LED lighting housing having the inventive design;  
FIG. 2 is a right side view of the LED lighting housing shown in FIG. 1;  
FIG. 3 is a left side view of the LED lighting housing shown in FIG. 1;  
FIG. 4 is a front view of the LED lighting housing shown in FIG. 1;  
FIG. 5 is a rear view of the LED lighting housing shown in FIG. 1;  
FIG. 6 is a bottom view of the LED lighting housing shown in FIG. 1; and,  
FIG. 7 is a top view of the LED lighting housing shown in FIG. 1.

**1 Claim, 3 Drawing Sheets**



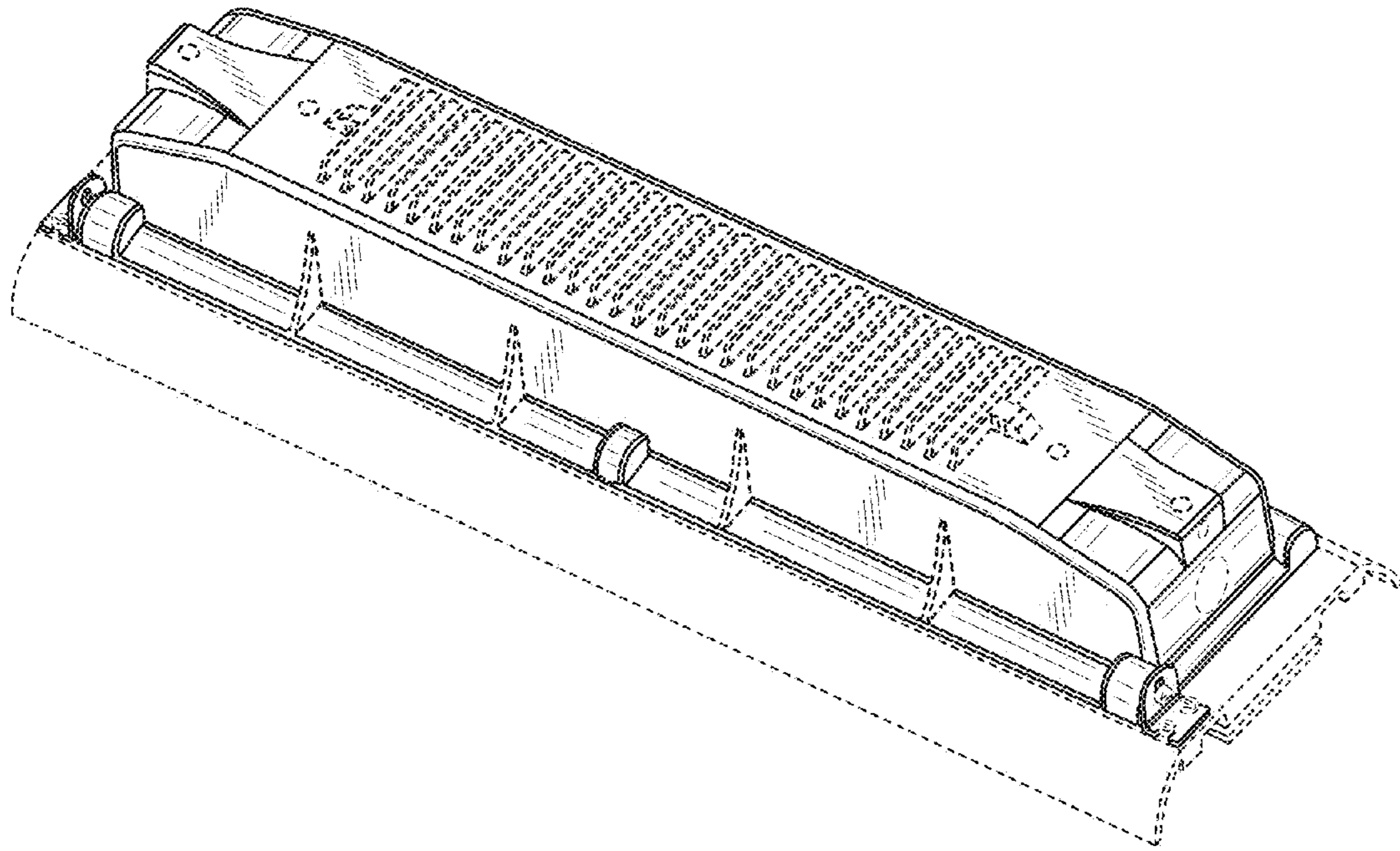


FIG. 1

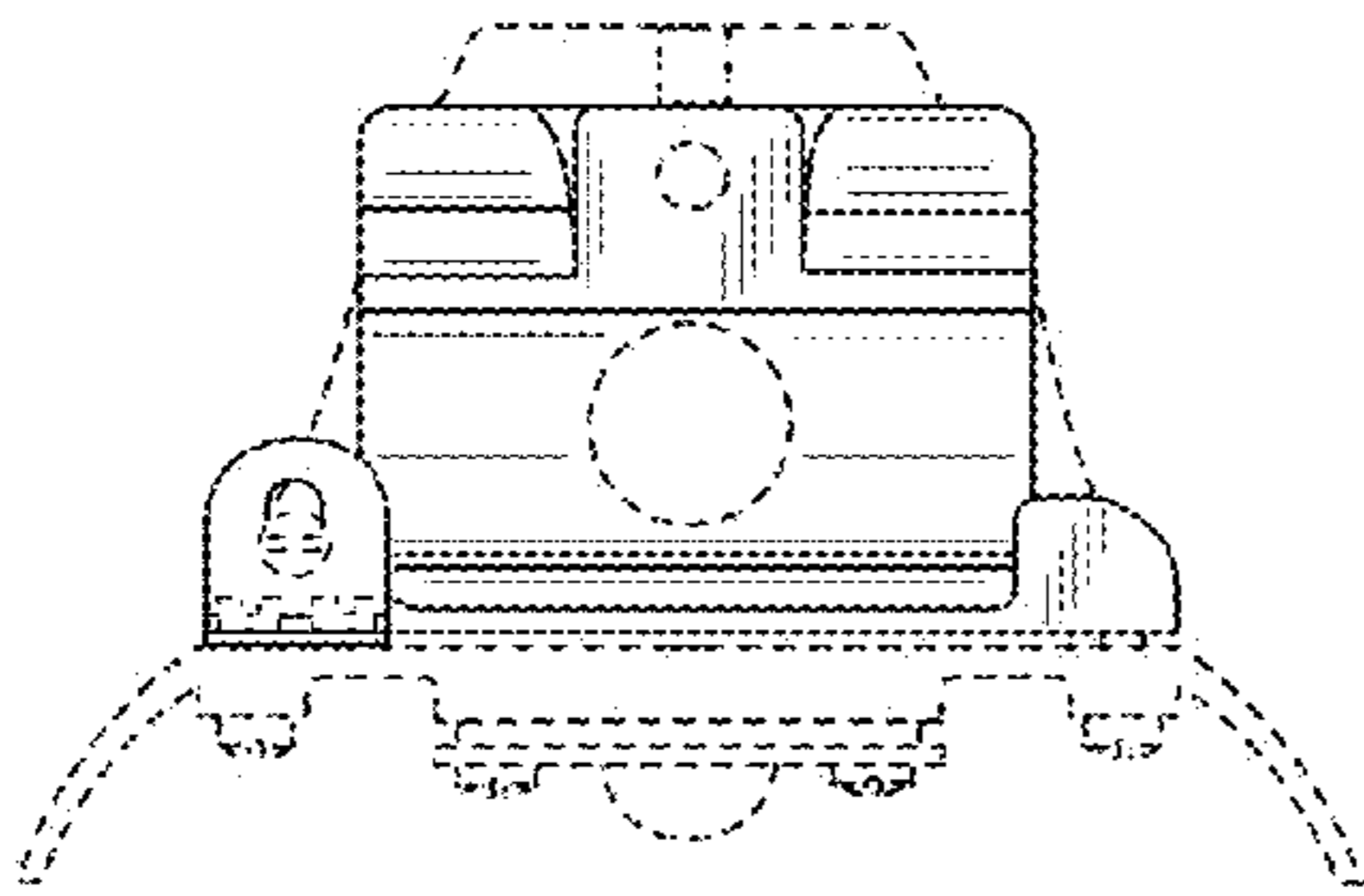


FIG. 2

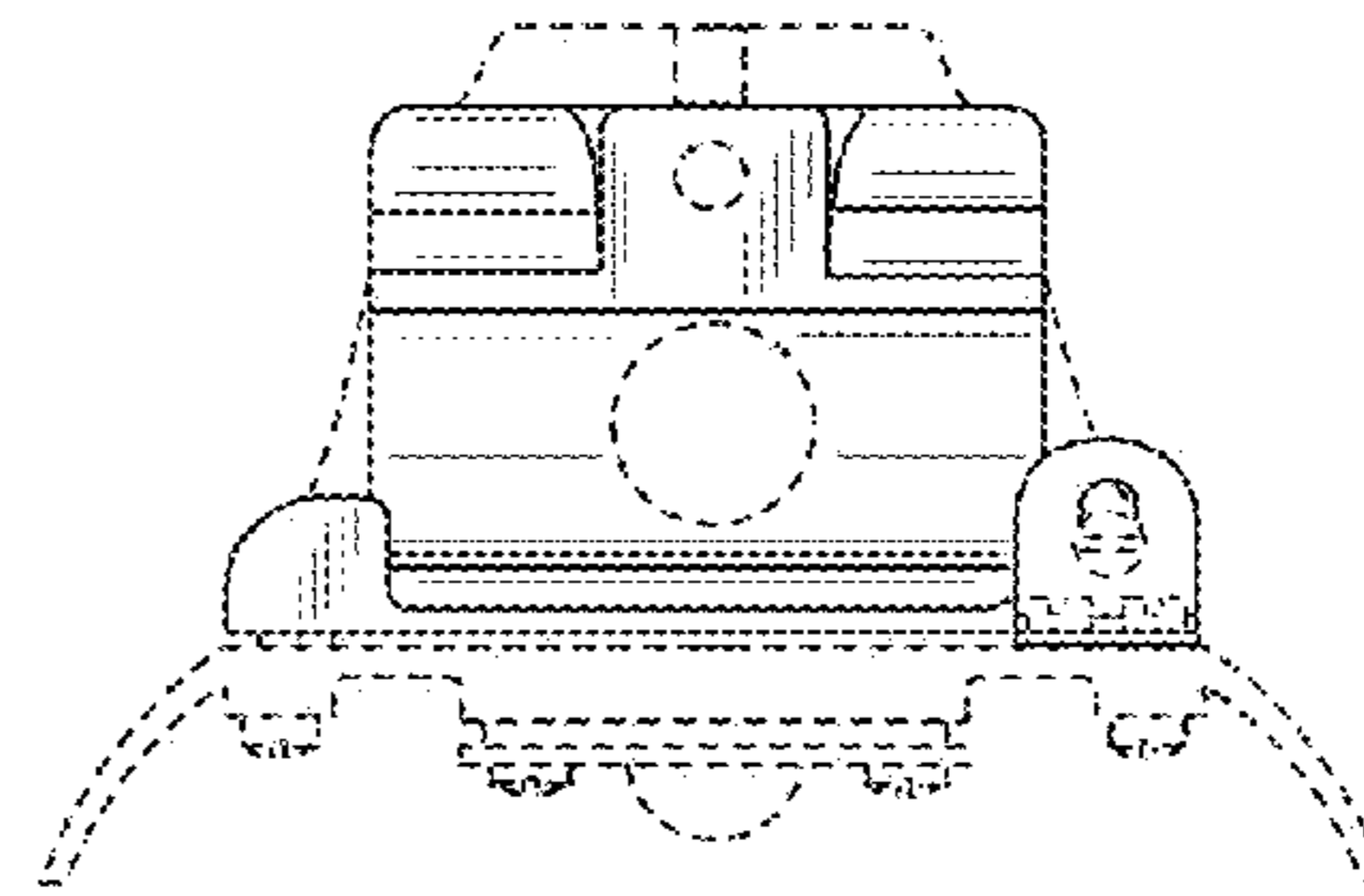


FIG. 3

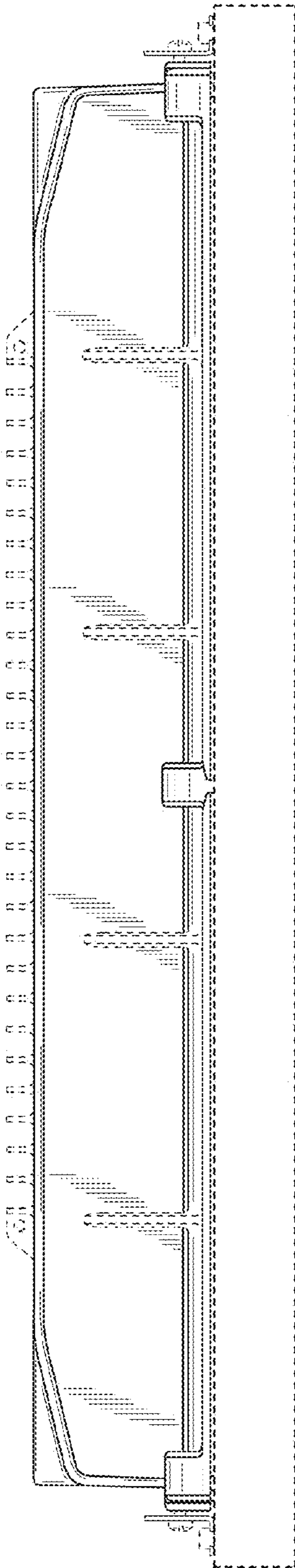


FIG. 4

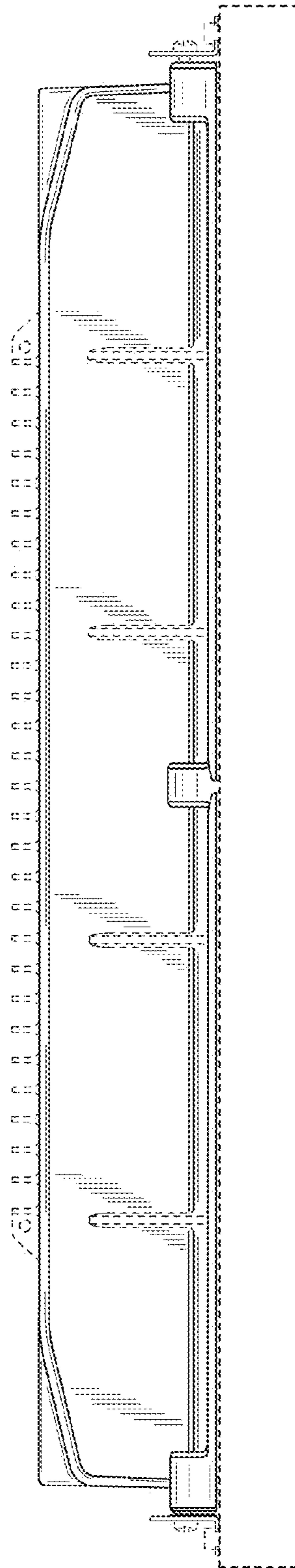


FIG. 5

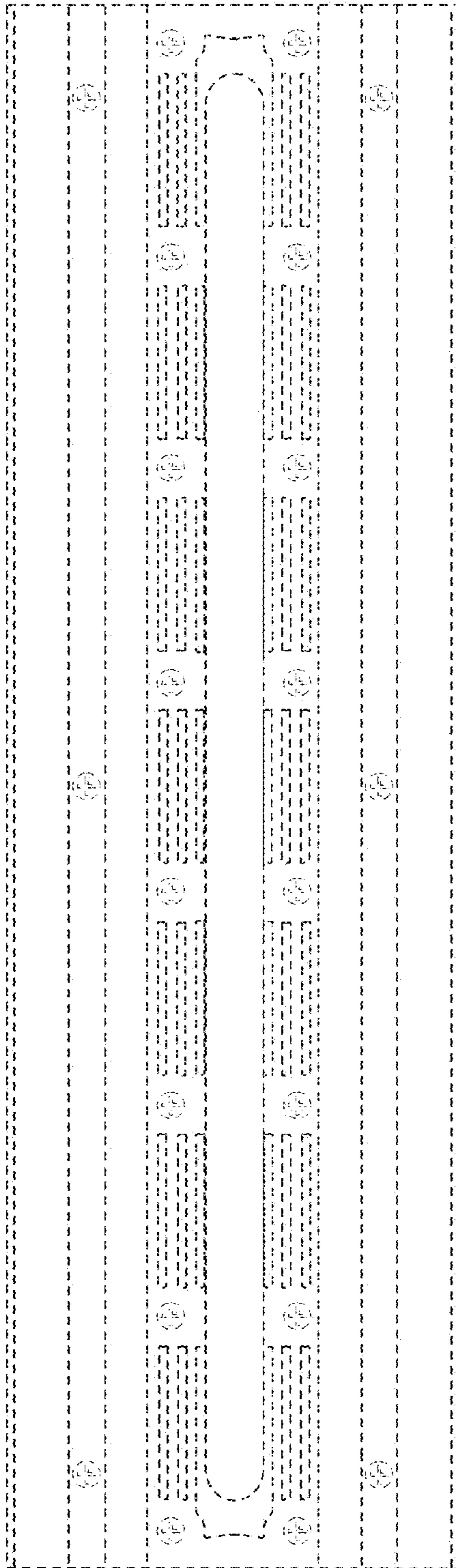


FIG. 6

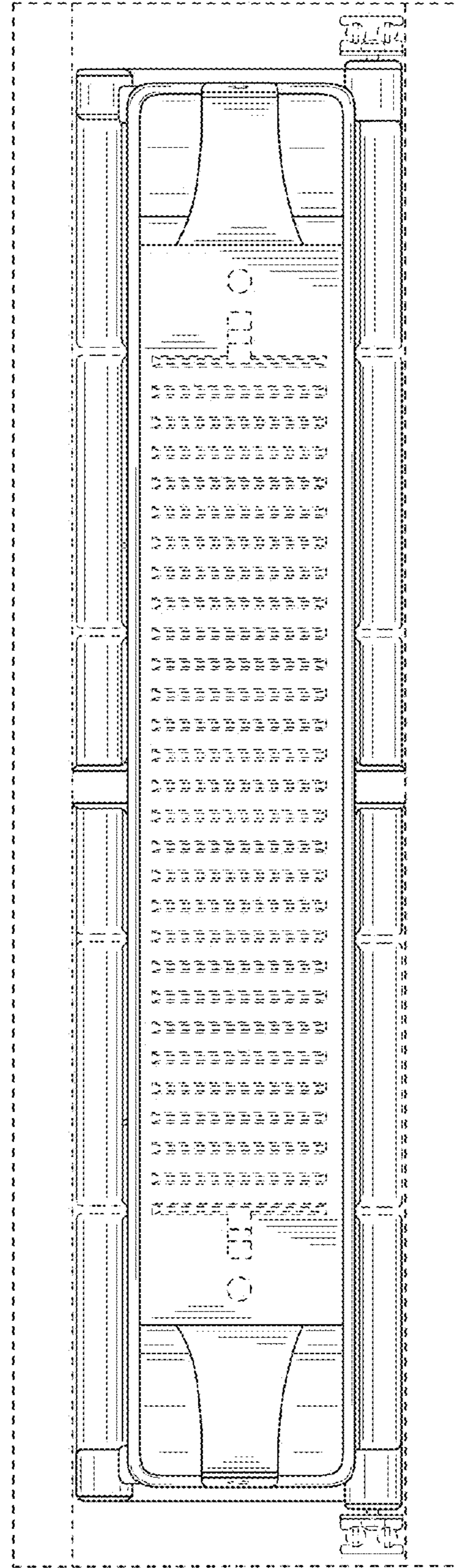


FIG. 7