

US00D760416S

(12) **United States Design Patent**
Hoch et al.

(10) **Patent No.:** **US D760,416 S**
(45) **Date of Patent:** **** Jun. 28, 2016**

(54) **LIGHT FIXTURE**

- (71) Applicant: **ABL IP Holding LLC**, Conyers, GA (US)
- (72) Inventors: **Matthew S. Hoch**, Newark, OH (US);
Michael R. Miller, Conyers, GA (US);
Jared T. Morello, Columbus, OH (US)
- (73) Assignee: **ABL IP Holding LLC**, Decatur, GA (US)
- (**) Term: **14 Years**
- (21) Appl. No.: **29/526,238**
- (22) Filed: **May 7, 2015**
- (51) **LOC (10) Cl.** **26-05**
- (52) **U.S. Cl.**
USPC **D26/72; D26/118**
- (58) **Field of Classification Search**
USPC **D26/72, 76, 78, 118**
CPC **F21V 29/00; F21V 29/02; F21V 5/002;**
F21V 7/04; F21V 7/041; F21V 7/043; F21V
7/005; F21S 8/04; F21W 2131/40
See application file for complete search history.

(56) **References Cited**

U.S. PATENT DOCUMENTS

- D127,891 S * 6/1941 Ohm 362/223
- D140,299 S * 2/1945 Creed D26/76
- D141,068 S * 5/1945 Maurette D26/76

(Continued)

FOREIGN PATENT DOCUMENTS

- WO 2010027923 3/2010
- WO 2014133987 9/2014

OTHER PUBLICATIONS

All FLP-TV and FLP-AC waterproof fixtures shown on pp. 326-329 of the LITPA 2010 Lighting Catalog. (5 pages, includes catalog cover).*

Beghelli, "Illumina BS100LED," available at: www.beghelliusa.com, Nov. 7, 2014, 2 pages.

(Continued)

Primary Examiner — Clare E Heflin

(74) *Attorney, Agent, or Firm* — Kilpatrick Townsend & Stockton, LLP

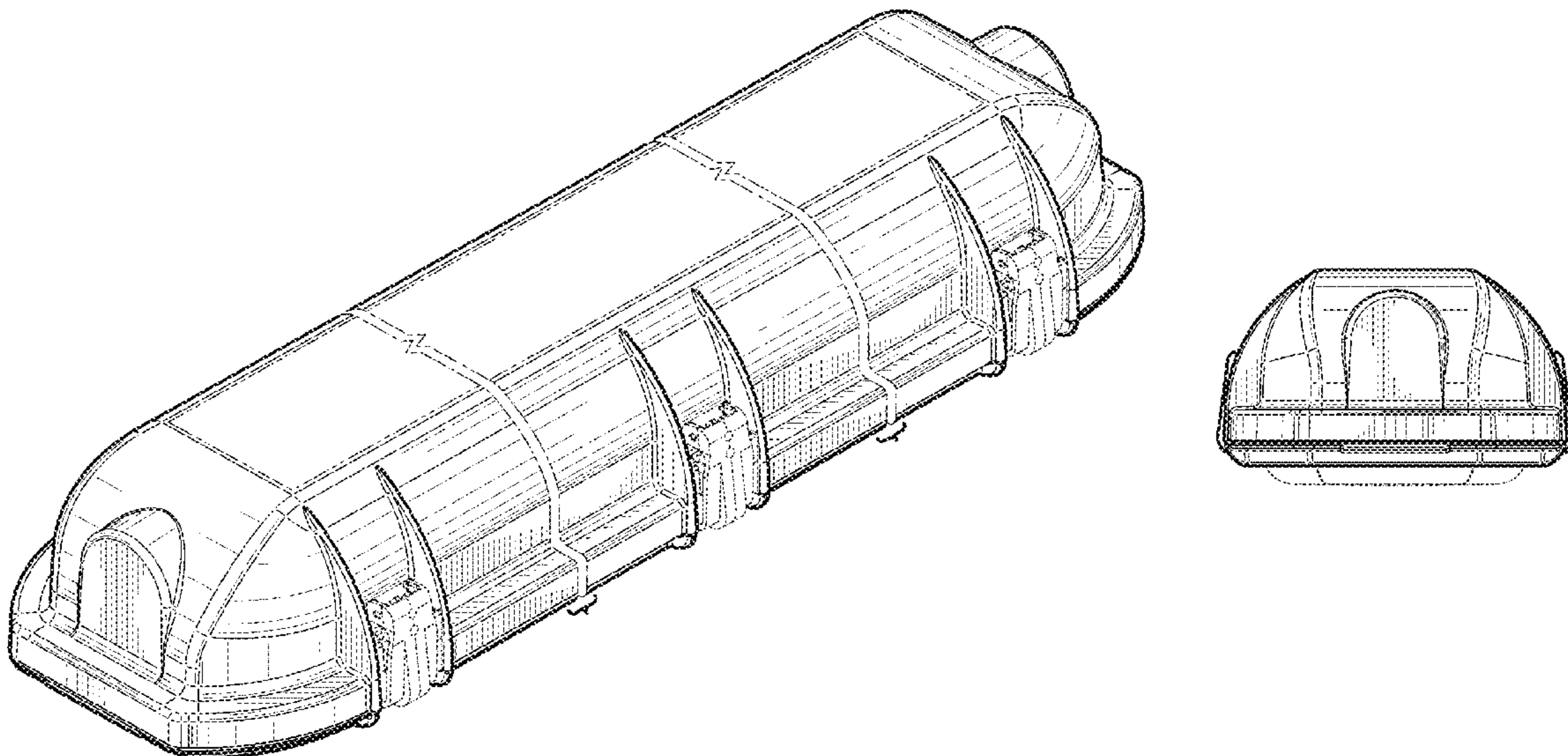
(57) **CLAIM**

The ornamental design for a light fixture, as shown and described.

DESCRIPTION

FIG. 1 is a top perspective view of the light fixture. FIG. 2 is a bottom perspective view of the light fixture of FIG. 1. FIG. 3 is a front end view of the light fixture of FIG. 1. FIG. 4 is rear end view of the light fixture of FIG. 1. FIG. 5 is a right elevation view of the light fixture of FIG. 1. FIG. 6 is a left elevation view of the light fixture of FIG. 1. FIG. 7 is a top plan view of the light fixture of FIG. 1; and, FIG. 8 is a bottom plan view of the light fixture of FIG. 1. Portions or features of the light fixture not shown in the drawings form no part of the claimed design. The evenly dotted broken lines in the drawings illustrate unclaimed features of the claimed design that form no part of the claimed design. The dash-dot-dash-dot broken lines in the drawings represent symbolic breaks along the fixture length. The appearance of any portion of the light fixture between these breaks forms no part of the claimed design. The dash-dot-dot-dash-dot-dot broken lines in the drawings define the boundaries of the unclaimed portions of the claimed design that form no part of the claimed design.

1 Claim, 5 Drawing Sheets



(56)

References Cited

U.S. PATENT DOCUMENTS

D180,533	S *	6/1957	Stevens	D26/76
D180,534	S *	6/1957	Stevens	D26/76
D180,535	S *	6/1957	Stevens	D26/24
D381,760	S *	7/1997	Costa	D26/76
6,979,097	B2	12/2005	Elam et al.		
D579,138	S *	10/2008	Ghini	D26/72
D579,139	S *	10/2008	Ghini	D26/72
D617,935	S *	6/2010	Miletich	D26/76
D621,085	S *	8/2010	Kochanski	D26/42
D665,524	S *	8/2012	Bush	D26/76
D714,484	S *	9/2014	Barnes	D26/72
D717,483	S *	11/2014	Barnes	D26/72
2011/0058367	A1 *	3/2011	Shiau	F21V 14/02 362/218

OTHER PUBLICATIONS

Citadel 2, "Integrate LEDs into the Citadel 2 Enclosure," LED Enclosure, V040114, available at: <http://www.slplighting.com/_images/_Brochures/CT2_LEDBrochure%20Style%20SM.pdf>, Mar. 31, 2014, 4 pages.
 Columbia Lighting, "LXEM," Enclosed and Gasketed Fiberglass Extreme Environment / LED, Hubbell Lighting, available at: www.columbialighting.com, Oct. 2, 2014, 3 pages.
 Fail-Safe, "VRVT2," ADC041522, available at : www.cooperlighting.com, Dec. 3, 2013, 2 pages.
 Lithonia Lighting, "LED Wet Location Striplight," Acuity Brands Lighting, available at: <http://www.acuitybrandslighting.com/library/II/documents/specsheets/industrial_led_wet_location_striplight.pdf>, Aug. 26, 2014, 2 pages.

* cited by examiner

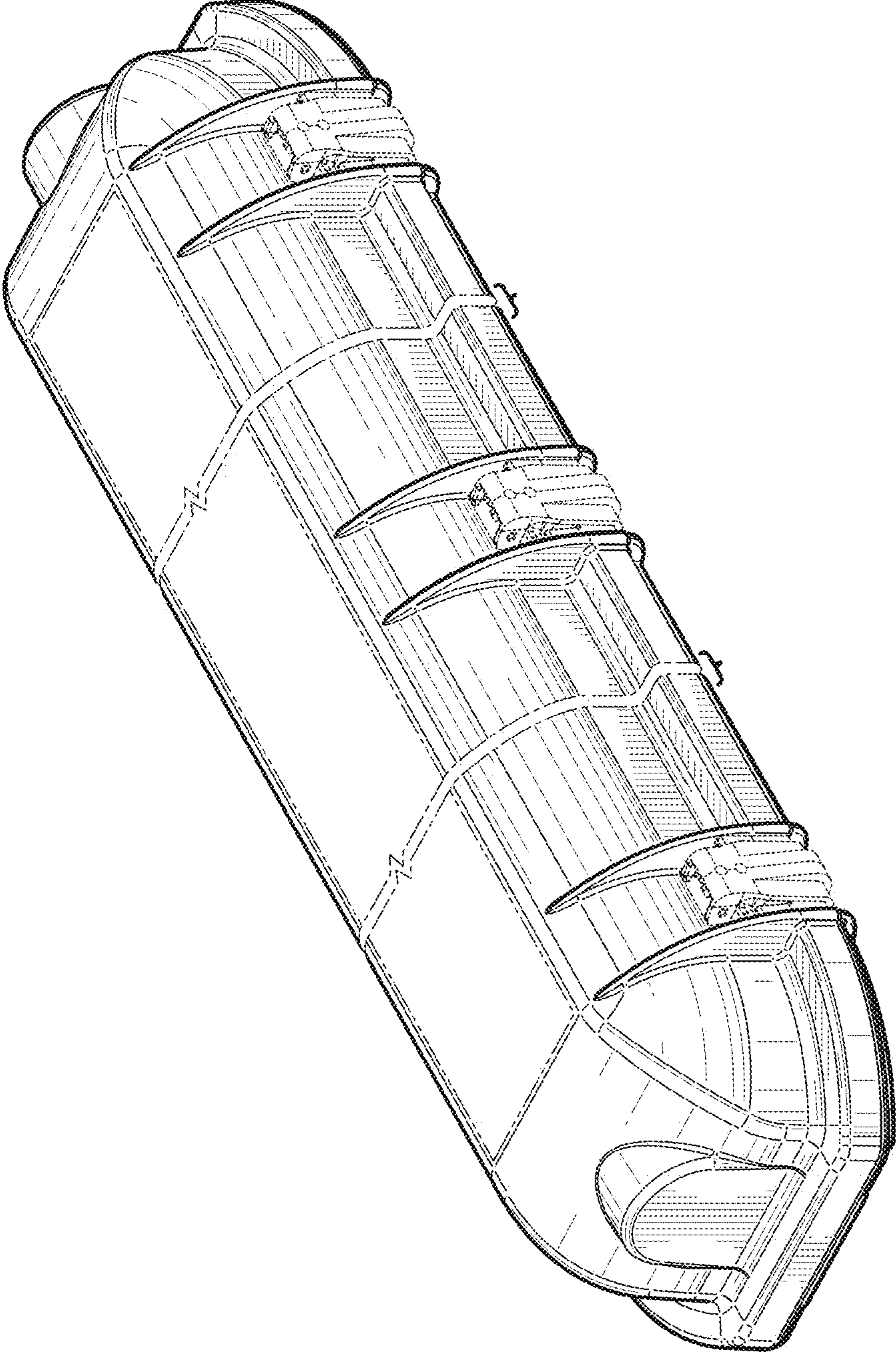


FIG. 1

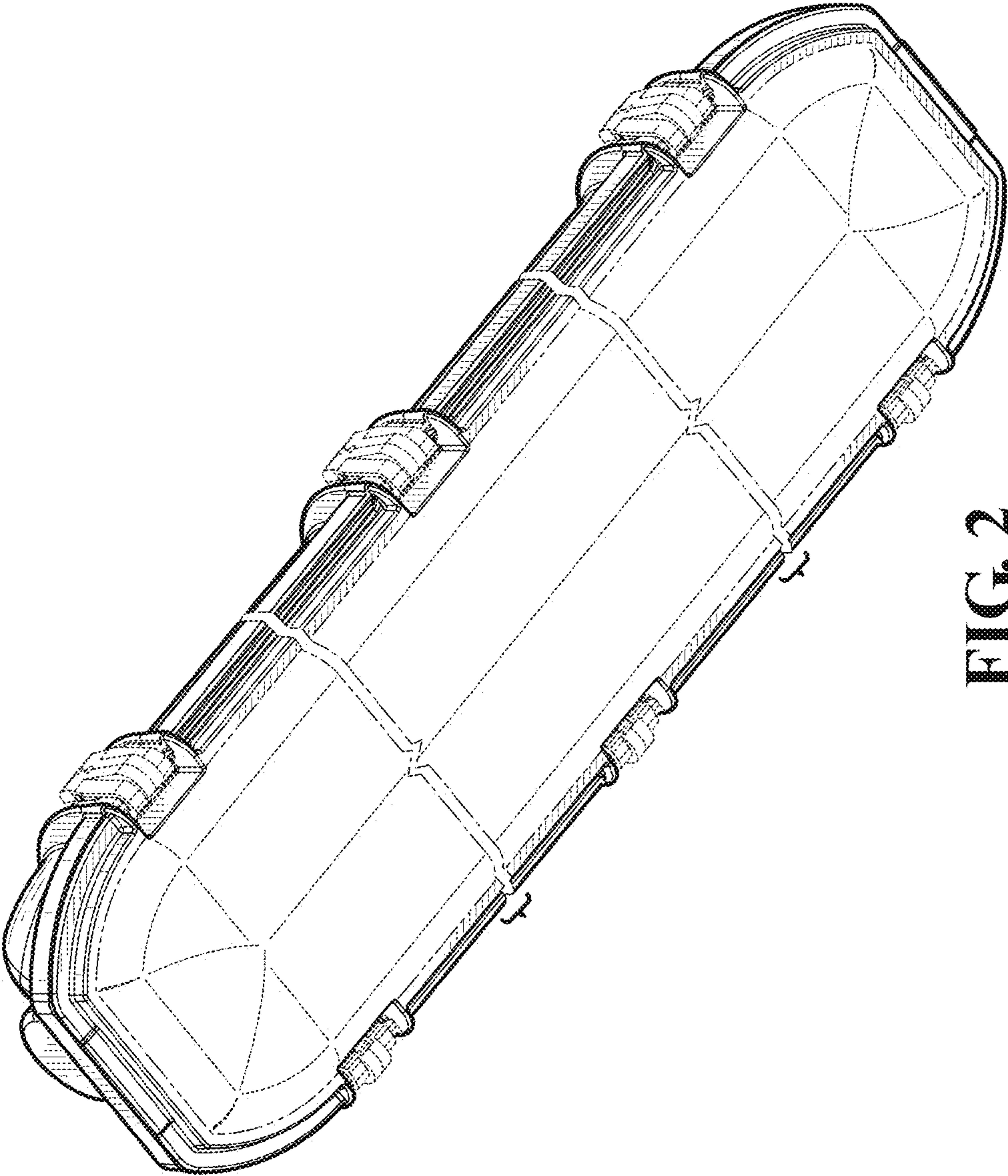


FIG. 2

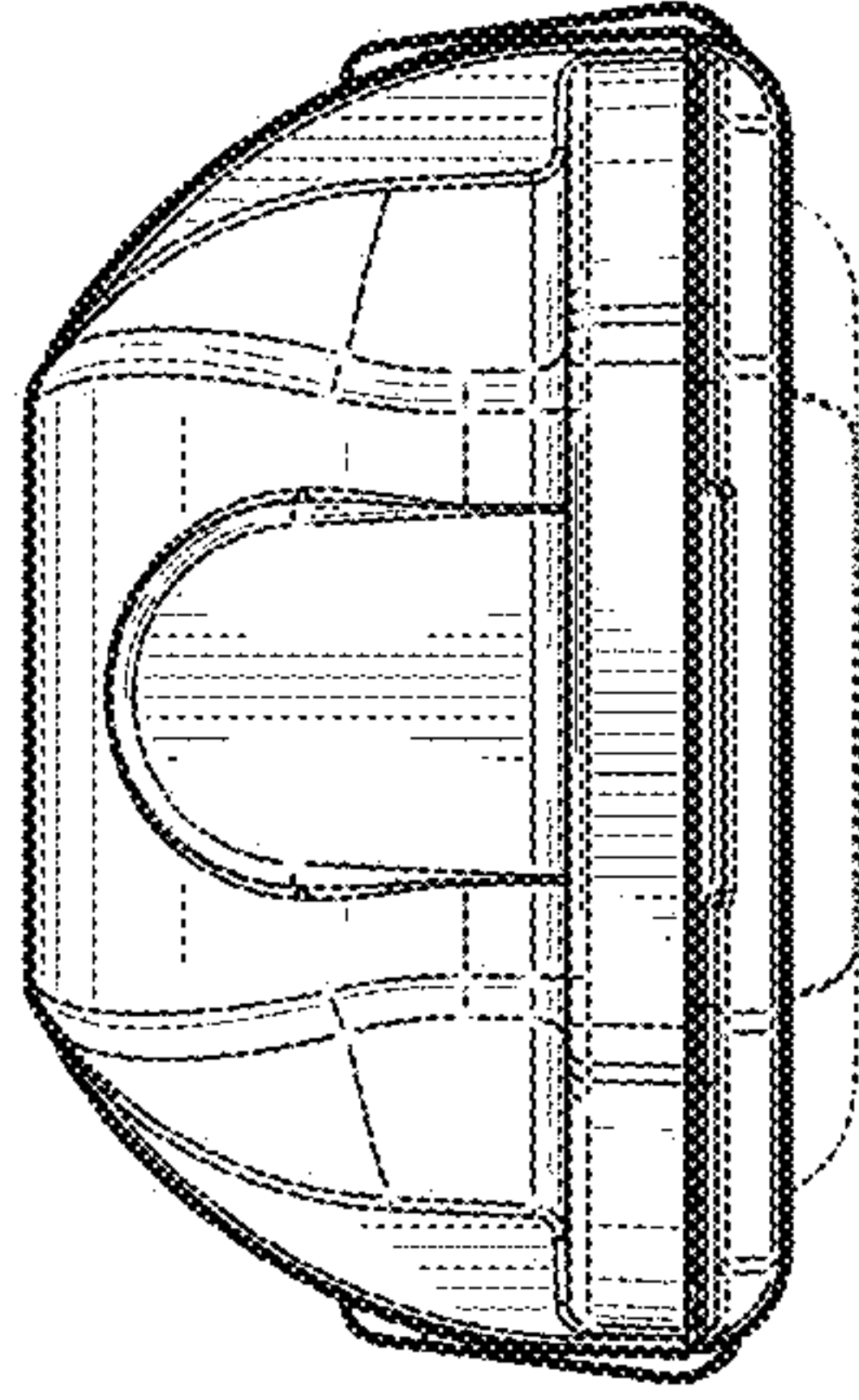


FIG. 3

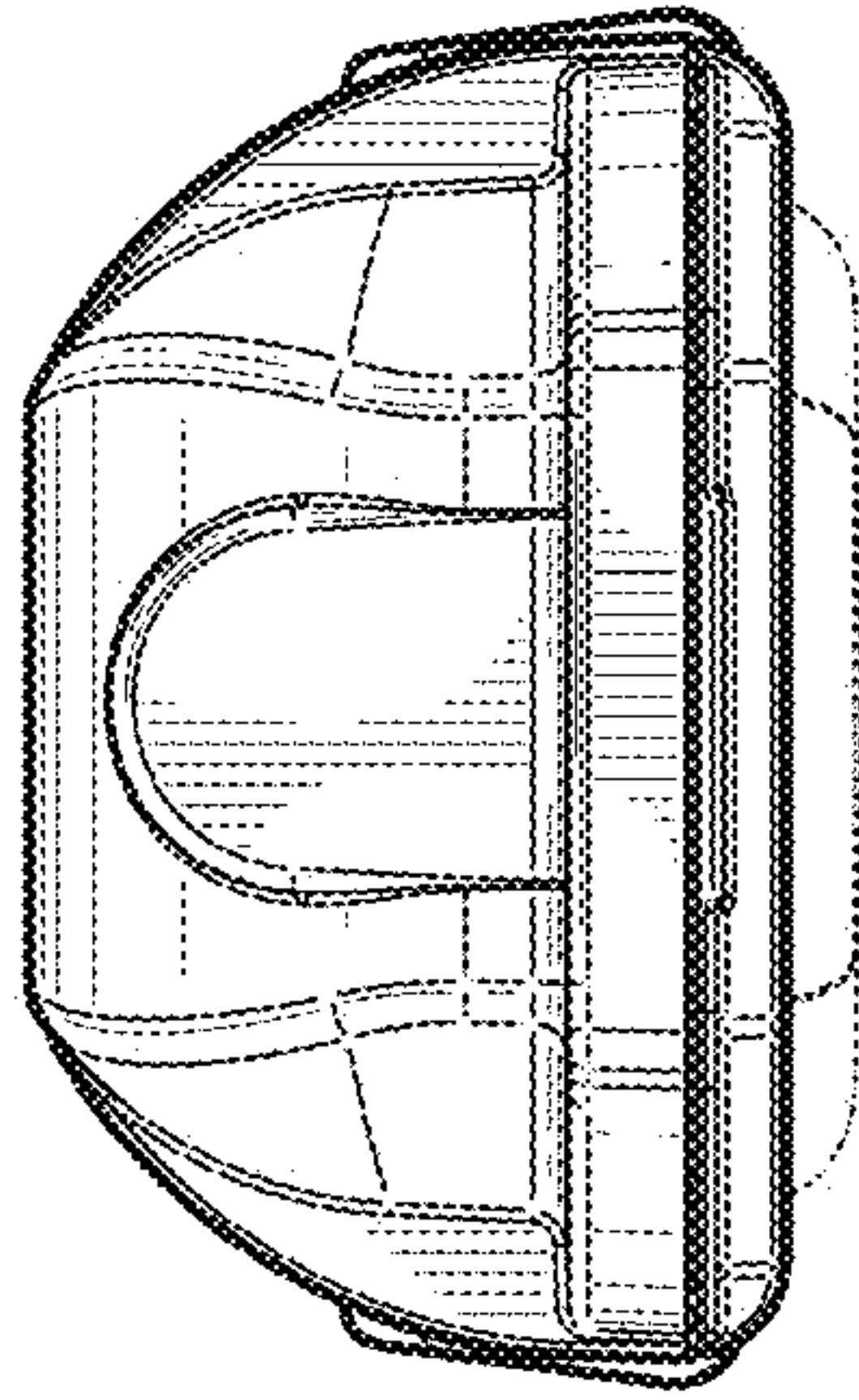


FIG. 4

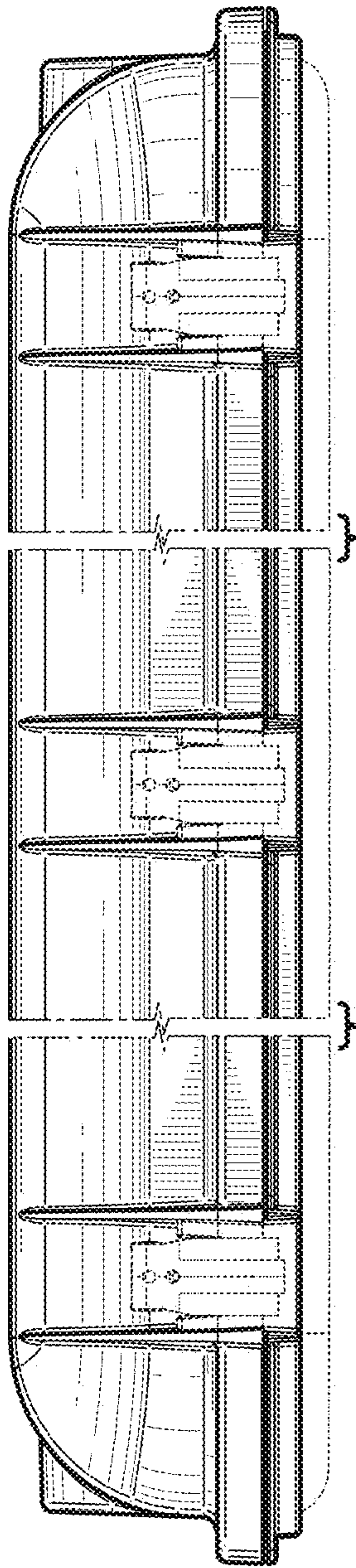


FIG. 5

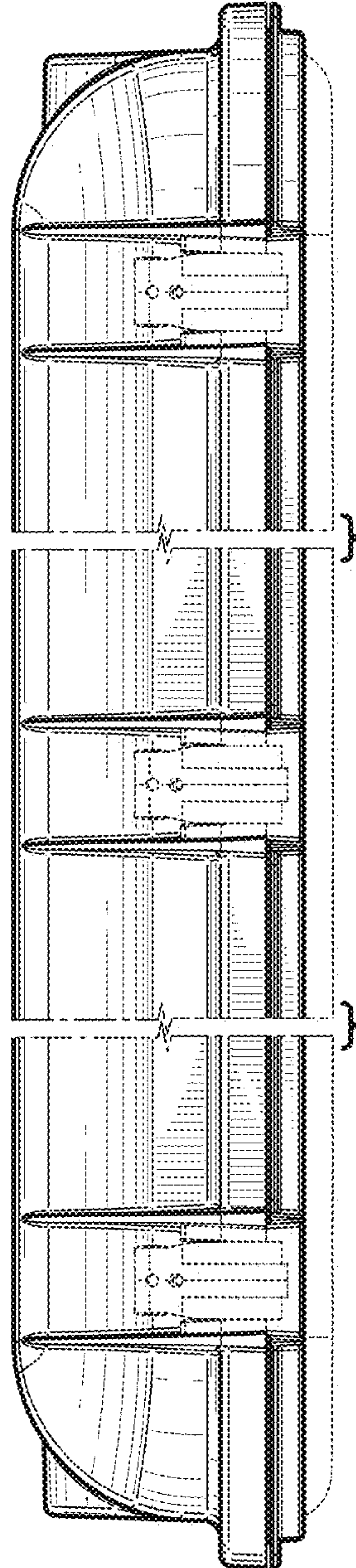


FIG. 6

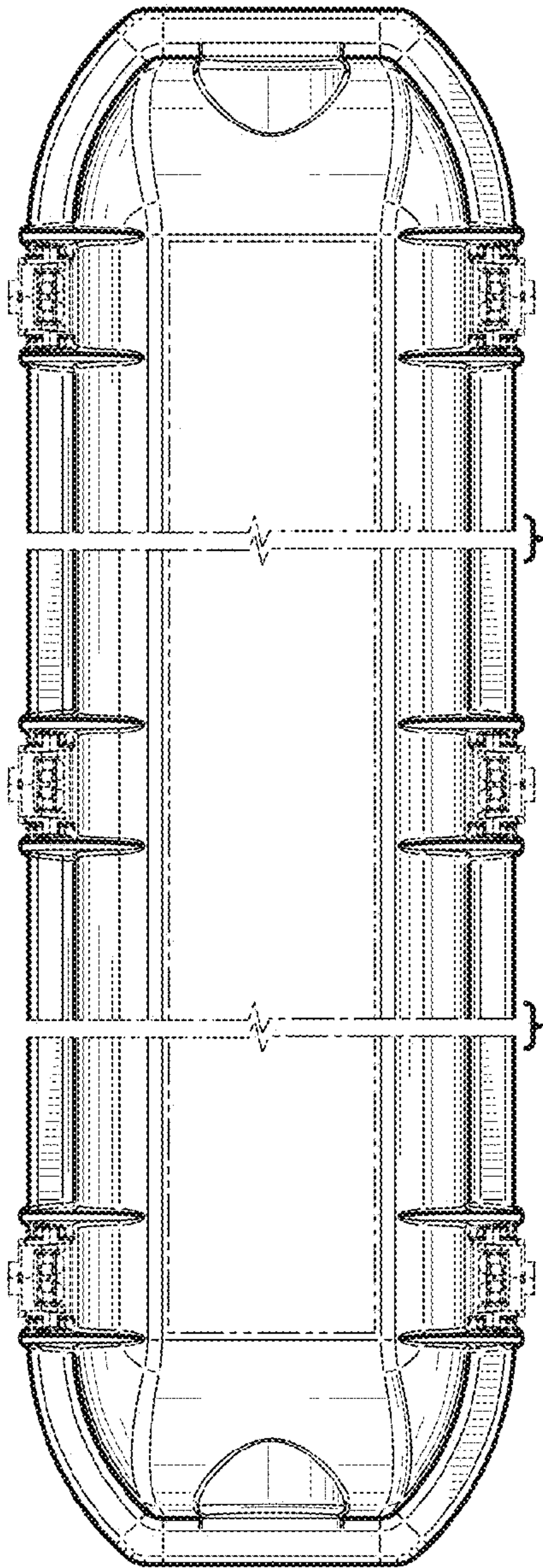


FIG. 7

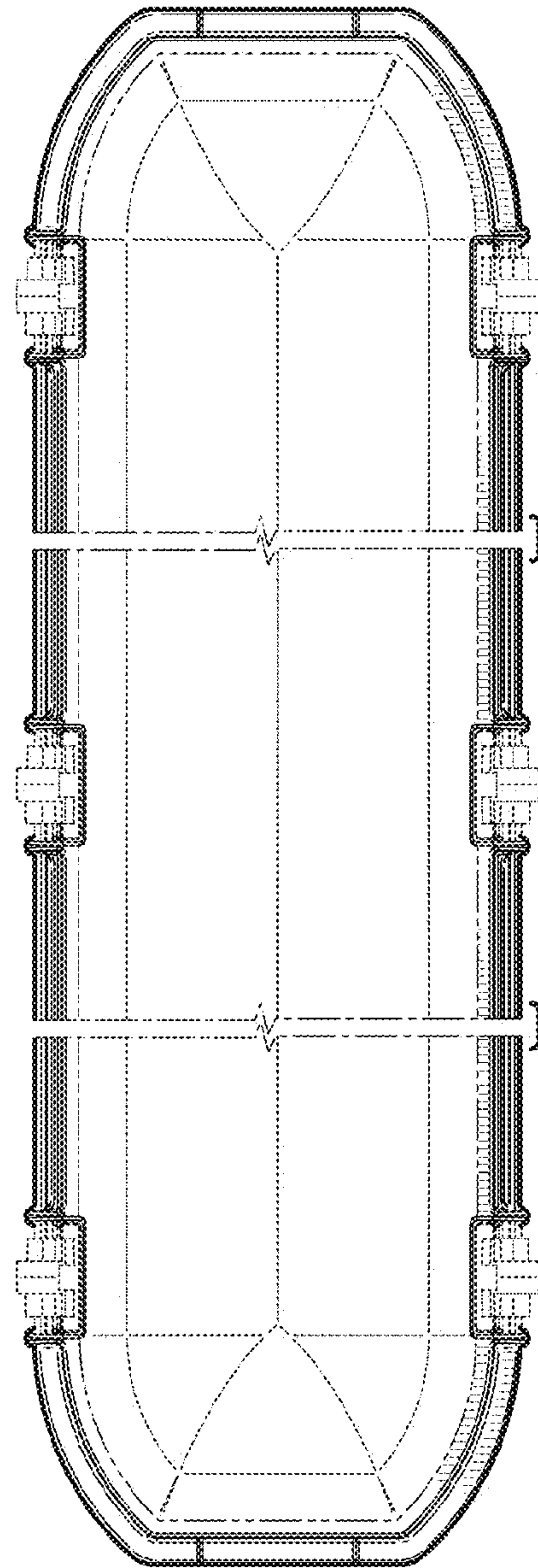


FIG. 8