



US00D760415S

(12) **United States Design Patent**  
**Chen et al.**

(10) **Patent No.:** **US D760,415 S**  
(45) **Date of Patent:** **\*\* Jun. 28, 2016**

(54) **HOUSING FOR LED LIGHTING FIXTURE**

(71) Applicant: **HANGZHOU HPWINNER OPTO CORPORATION**, Hangzhou (CN)

(72) Inventors: **Kai Chen**, Hangzhou (CN); **Jianming Huang**, Hangzhou (CN)

(73) Assignee: **HANGZHOU HPWINNER OPTO CORPORATION**, Hangzhou (CN)

(\*\*) Term: **15 Years**

(21) Appl. No.: **29/531,882**

(22) Filed: **Jun. 30, 2015**

(30) **Foreign Application Priority Data**

Jan. 9, 2015 (CN) ..... 2015 3 0006597

(51) **LOC (10) Cl.** ..... **26-05**

(52) **U.S. Cl.**  
USPC ..... **D26/71**

(58) **Field of Classification Search**  
USPC ..... D26/67-71, 92  
CPC ..... F21S 9/03; F21S 8/085; F21S 8/086;  
F21W 2131/103; F21V 15/01  
See application file for complete search history.

(56) **References Cited**

**U.S. PATENT DOCUMENTS**

D609,383 S *	2/2010	Chang	.....	D26/71
D646,420 S *	10/2011	Chen	.....	D26/71
D676,176 S *	2/2013	Akinrele	.....	D26/71
D683,061 S *	5/2013	Ham	.....	D26/71
D693,513 S *	11/2013	Nibaldi	.....	D26/71
D694,935 S *	12/2013	Zheng	.....	D26/71

D708,775 S *	7/2014	Meng	.....	D26/71
D709,237 S *	7/2014	Ni	.....	D26/71
D715,984 S *	10/2014	Durdle	.....	D26/71
D717,988 S *	11/2014	Zhu	.....	D26/71
2010/0073939 A1 *	3/2010	Kauffman	.....	F21S 8/086 362/341
2013/0003378 A1 *	1/2013	Dube	.....	F21S 8/086 362/249.03
2013/0088864 A1 *	4/2013	Verdes	.....	F21V 29/004 362/235

\* cited by examiner

*Primary Examiner* — Clare E Heflin

(74) *Attorney, Agent, or Firm* — Brown & Michaels, PC

(57) **CLAIM**

The ornamental design for a housing for LED lighting fixture, as shown and described.

**DESCRIPTION**

FIG. 1 is a perspective view of the housing for LED lighting fixture of the present invention.

FIG. 2 is a side view of the housing for LED lighting fixture.

FIG. 3 is a side view of the housing for LED lighting fixture, showing the opposite side from FIG. 2.

FIG. 4 is a top view of the housing for LED lighting fixture.

FIG. 5 is a bottom view of the housing for LED lighting fixture.

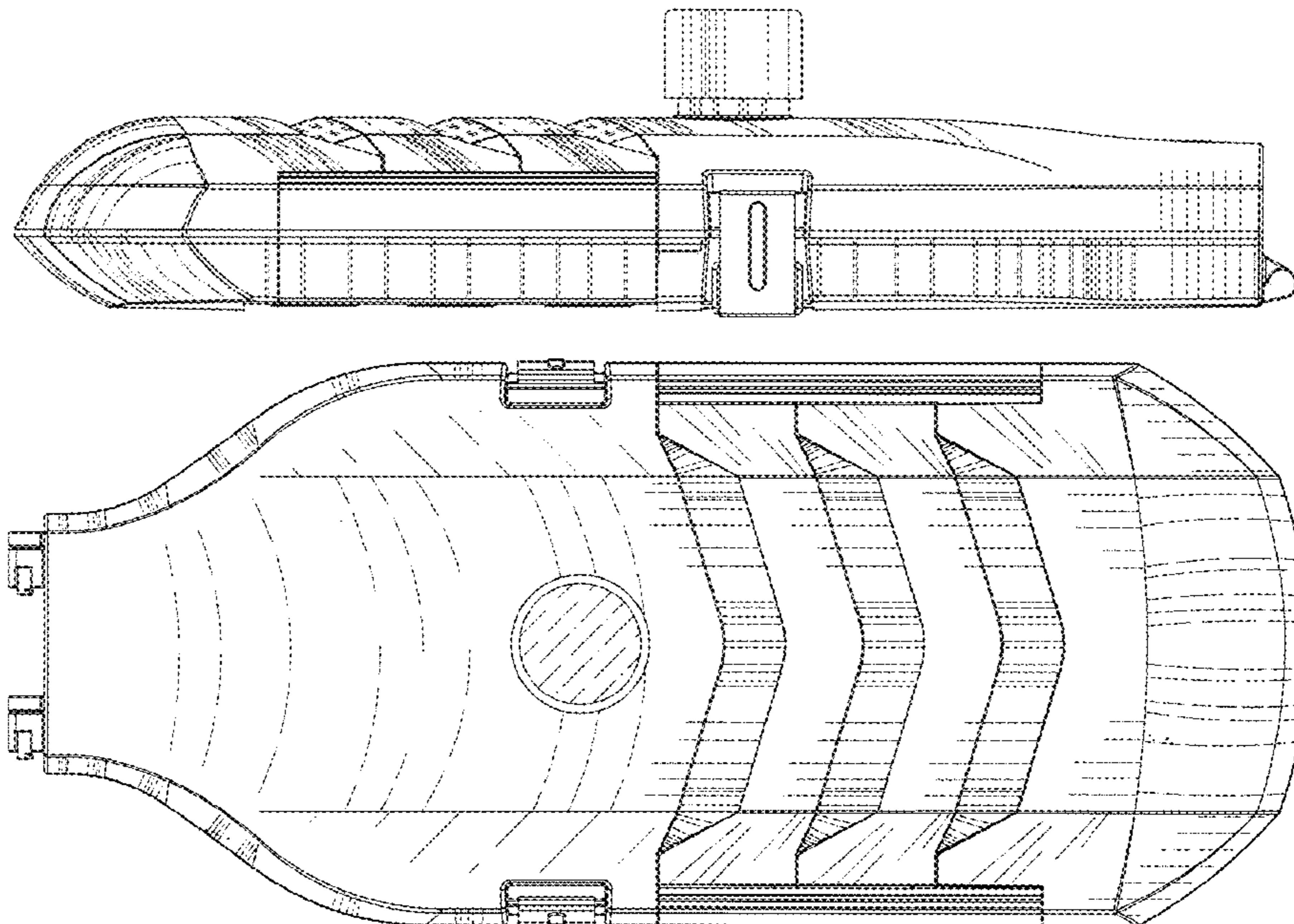
FIG. 6 is a front view of the housing for LED lighting fixture.

FIG. 7 is a back view of the housing for LED lighting fixture; and,

FIG. 8 is another perspective view of the housing for LED lighting fixture.

The broken lines shown on the drawings depict portions of the housing for LED lighting fixture, that form no part of the claimed design.

**1 Claim, 7 Drawing Sheets**



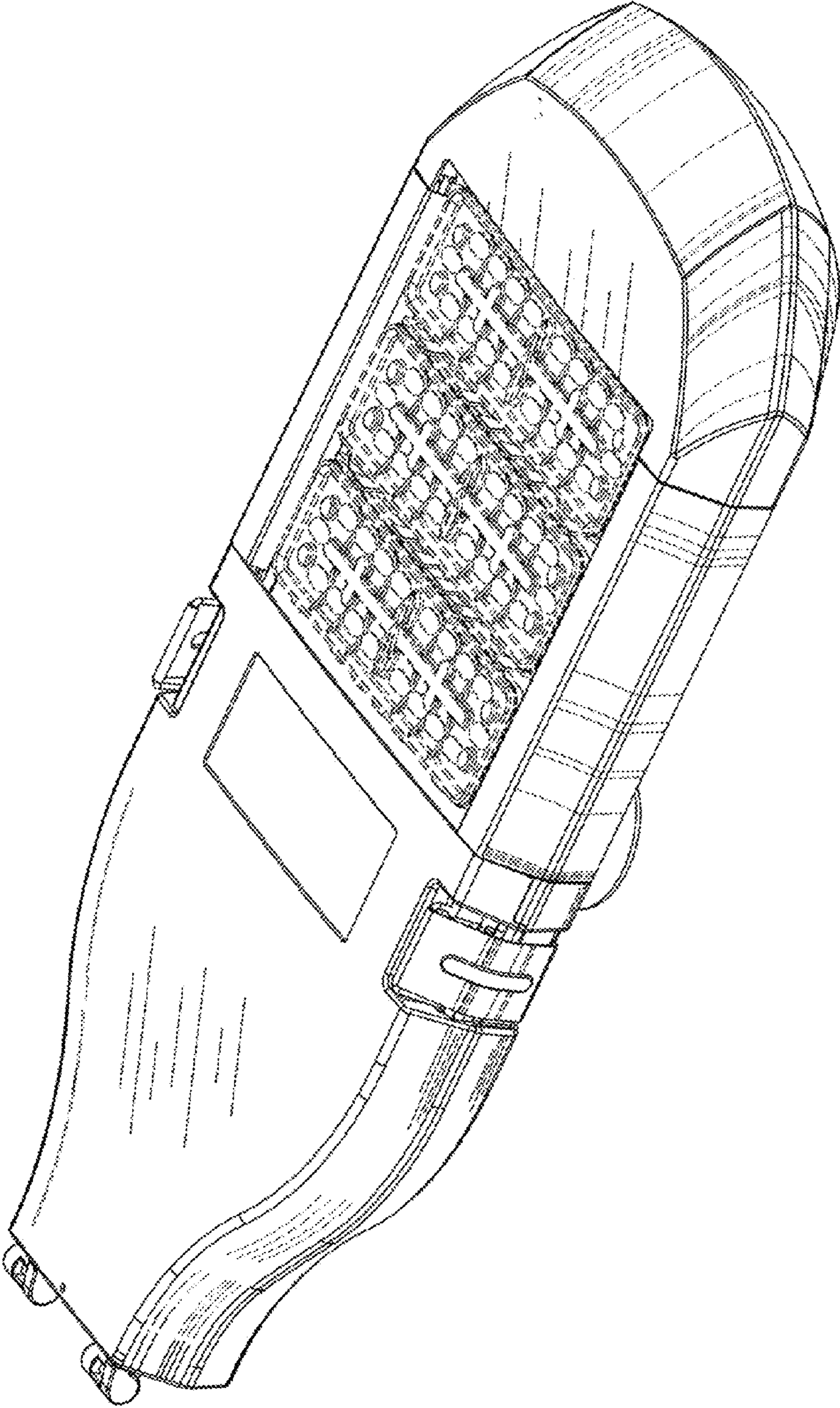


Fig. 1

Fig. 3

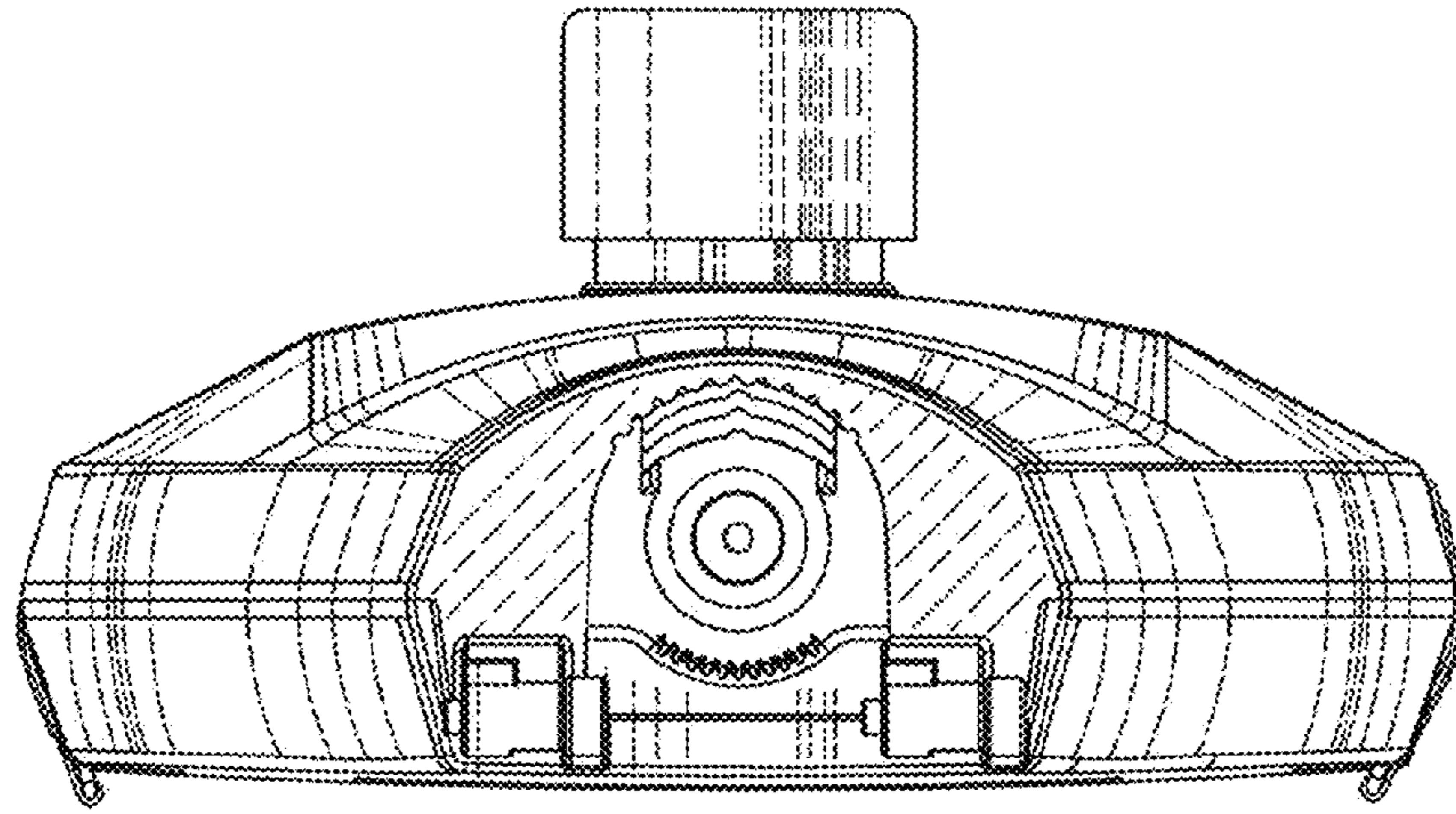
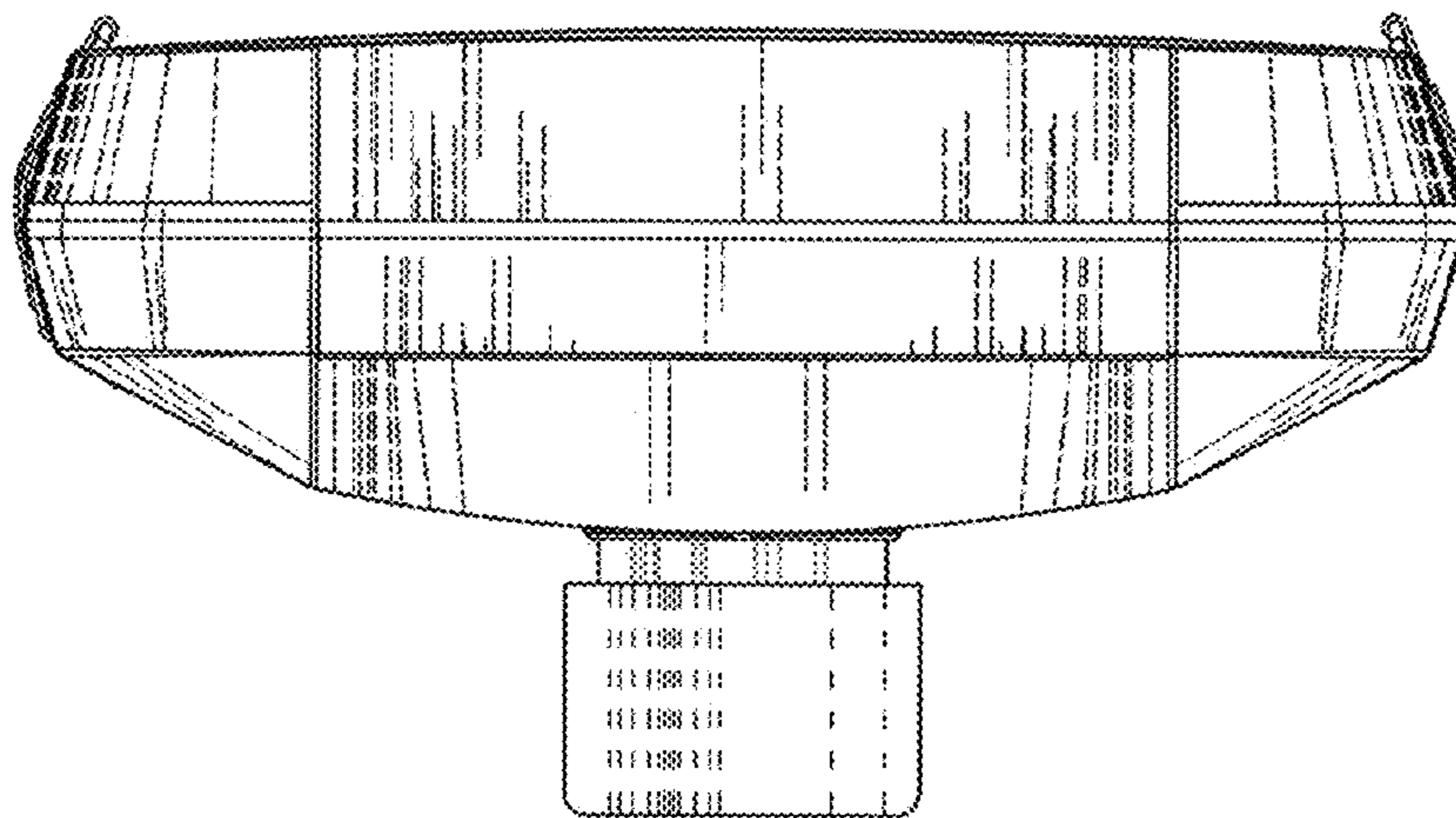


Fig. 2



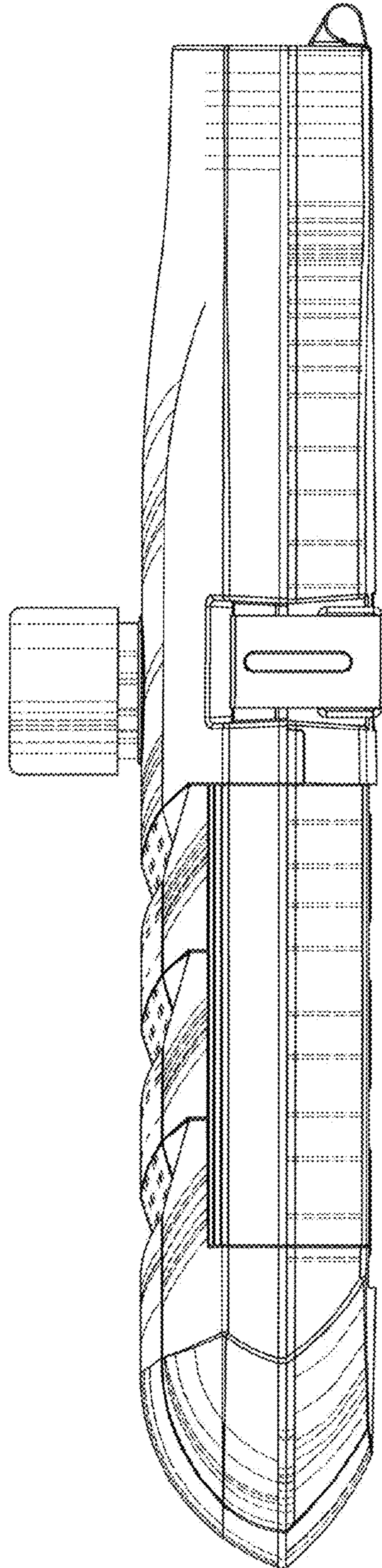


Fig. 4

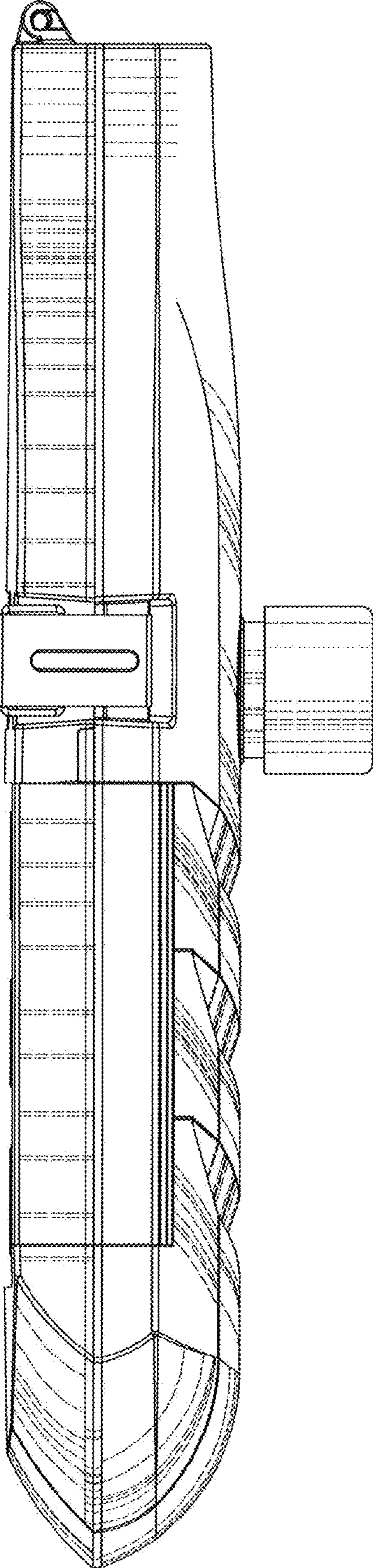


Fig. 5

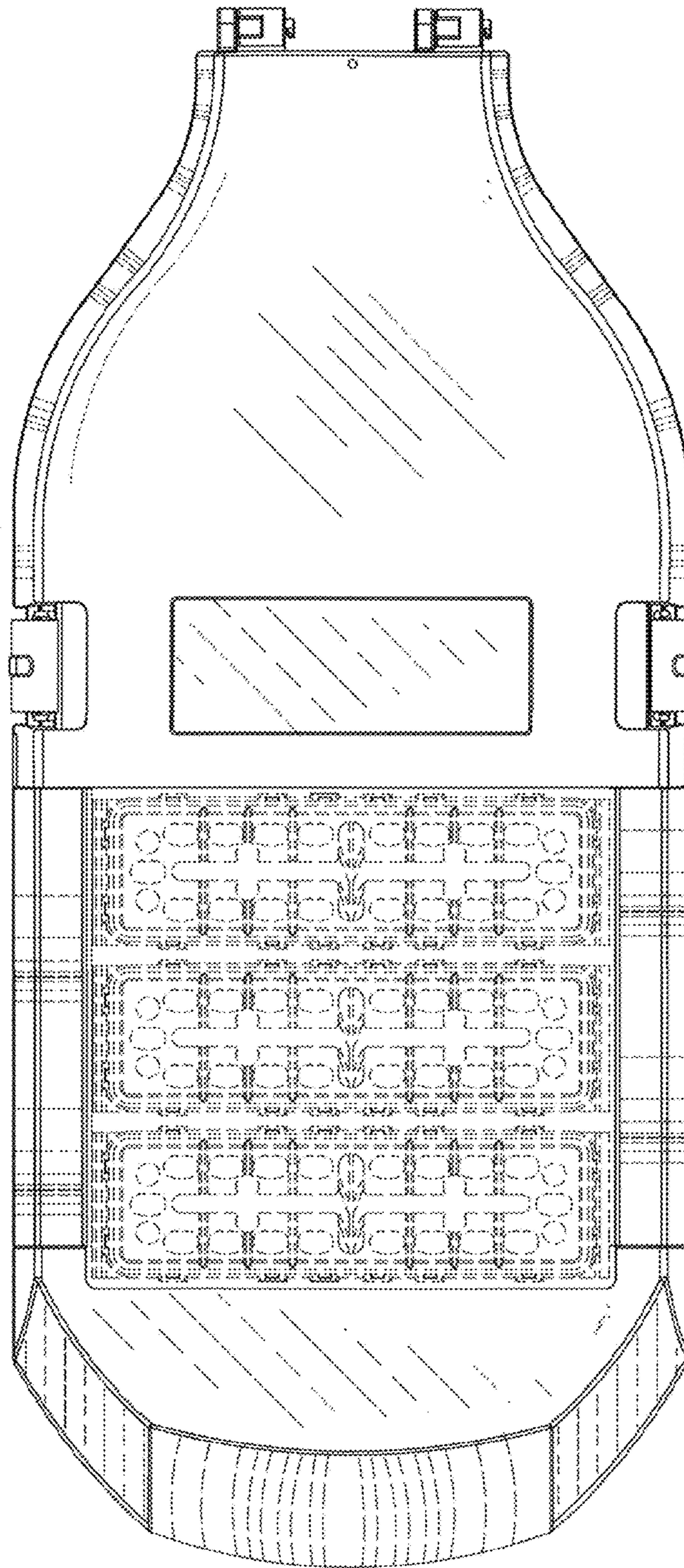


Fig. 6

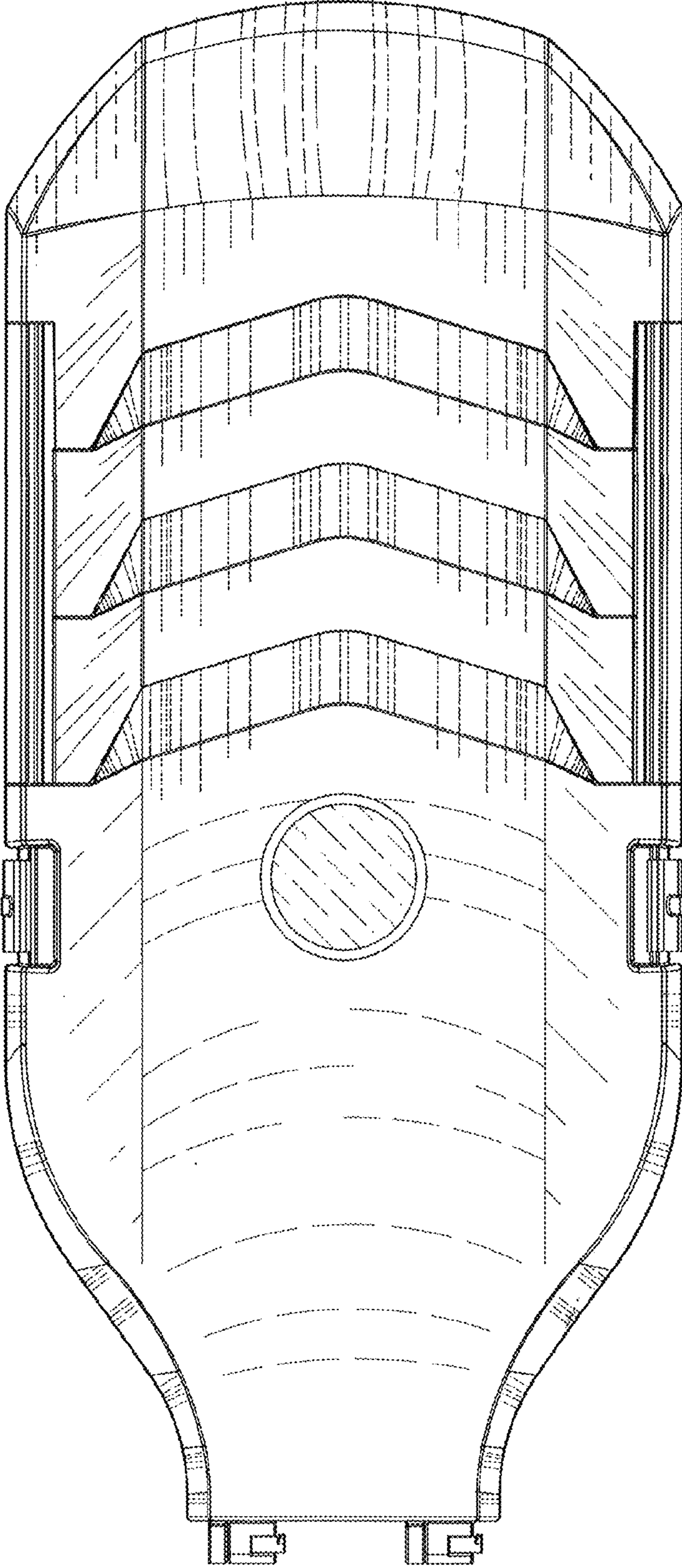


Fig. 7

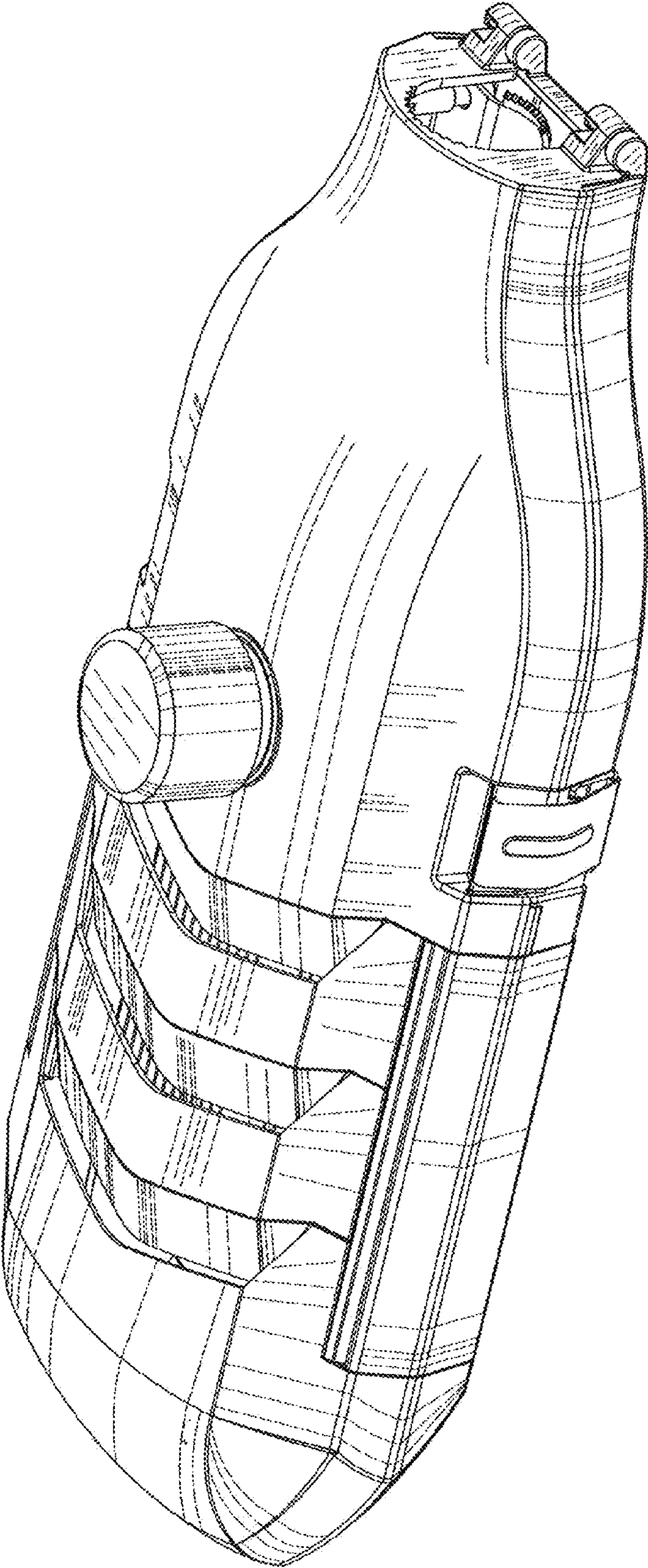


Fig. 8