



US00D760413S

(12) **United States Design Patent**
Shim et al.

(10) **Patent No.:** **US D760,413 S**
(45) **Date of Patent:** **** Jun. 28, 2016**

(54) **HEAD LAMP FOR AUTOMOBILES**

(71) Applicant: **Hyundai Motor Company**, Seoul (KR)

(72) Inventors: **Joon-Bo Shim**, Gyeonggi-Do (KR);
Jae-Hyun Lee, Gyeongsangbuk-Do (KR);
Dai-Sung Kim, Gyeonggi-Do (KR);
Sung-Uk Choi, Gyeonggi-Do (KR);
Ki-Euk Kim, Gyeonggi-Do (KR)

(73) Assignee: **Hyundai Motor Company**, Seoul (KR)

(**) Term: **15 Years**

(21) Appl. No.: **29/530,913**

(22) Filed: **Jun. 22, 2015**

(30) **Foreign Application Priority Data**

Jan. 30, 2015 (KR) 30-2015-0005088

(51) **LOC (10) Cl.** **26-07**

(52) **U.S. Cl.**
USPC **D26/28**

(58) **Field of Classification Search**
USPC D26/28-36; 362/459-468, 475-478,
362/485-487
CPC F21S 48/00; F21S 48/10; F21S 48/115;
F21S 48/225; F21S 48/1233; F21S 48/1266;
F21S 48/1388; F21S 48/2268; F21V 21/04
See application file for complete search history.

(56) **References Cited**

U.S. PATENT DOCUMENTS

D637,319 S * 5/2011 Jeong D26/28
D674,940 S * 1/2013 Lai D26/28

D708,769 S * 7/2014 Badstuebner D26/28
D709,213 S * 7/2014 Futschik D26/28
D709,218 S * 7/2014 Kim D26/28
D709,219 S * 7/2014 Kim D26/28
D710,044 S * 7/2014 Lai D26/28
D739,578 S * 9/2015 Han D26/28
D740,463 S * 10/2015 Ko D26/28
D747,512 S * 1/2016 Lai D26/28
D750,299 S * 2/2016 Morikawa D26/28

* cited by examiner

Primary Examiner — Angela J Lee

(74) *Attorney, Agent, or Firm* — Mintz Levin Cohn Ferris
Glovsky and Popeo, P.C.; Kongsik Kim

(57) **CLAIM**

The ornamental design for a head lamp for automobiles, as shown and described.

DESCRIPTION

FIG. 1 is a perspective view of a head lamp for automobiles according to the present invention.
FIG. 2 is a front view of the head lamp for automobiles of FIG. 1.
FIG. 3 is a rear view of the head lamp for automobiles of FIG. 1.
FIG. 4 is a left side view of the head lamp for automobiles of FIG. 1.
FIG. 5 is a right side view of the head lamp for automobiles of FIG. 1.
FIG. 6 is a top view of the head lamp for automobiles of FIG. 1; and,
FIG. 7 is a bottom view of the head lamp for automobiles of FIG. 1.

1 Claim, 7 Drawing Sheets

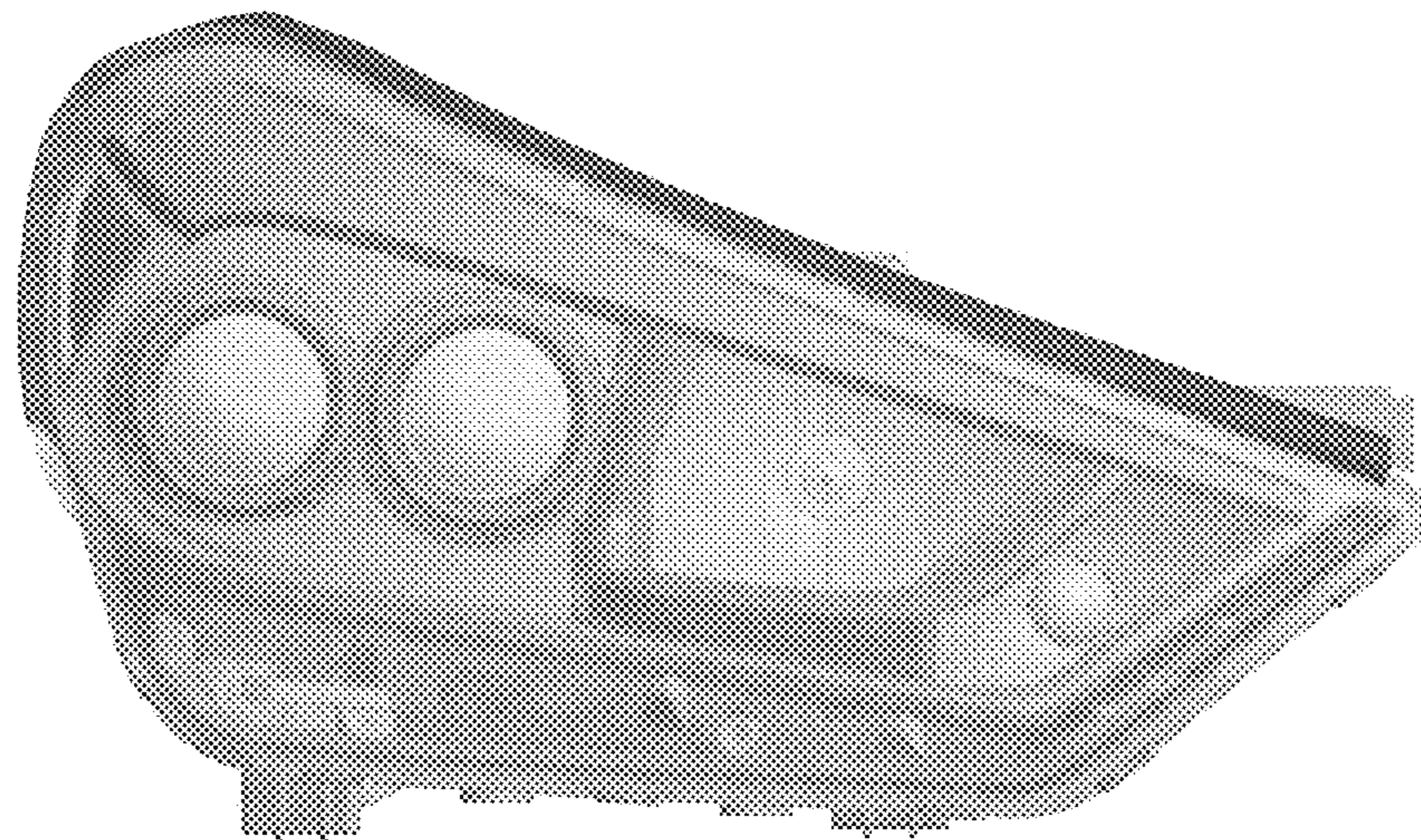


FIG. 1

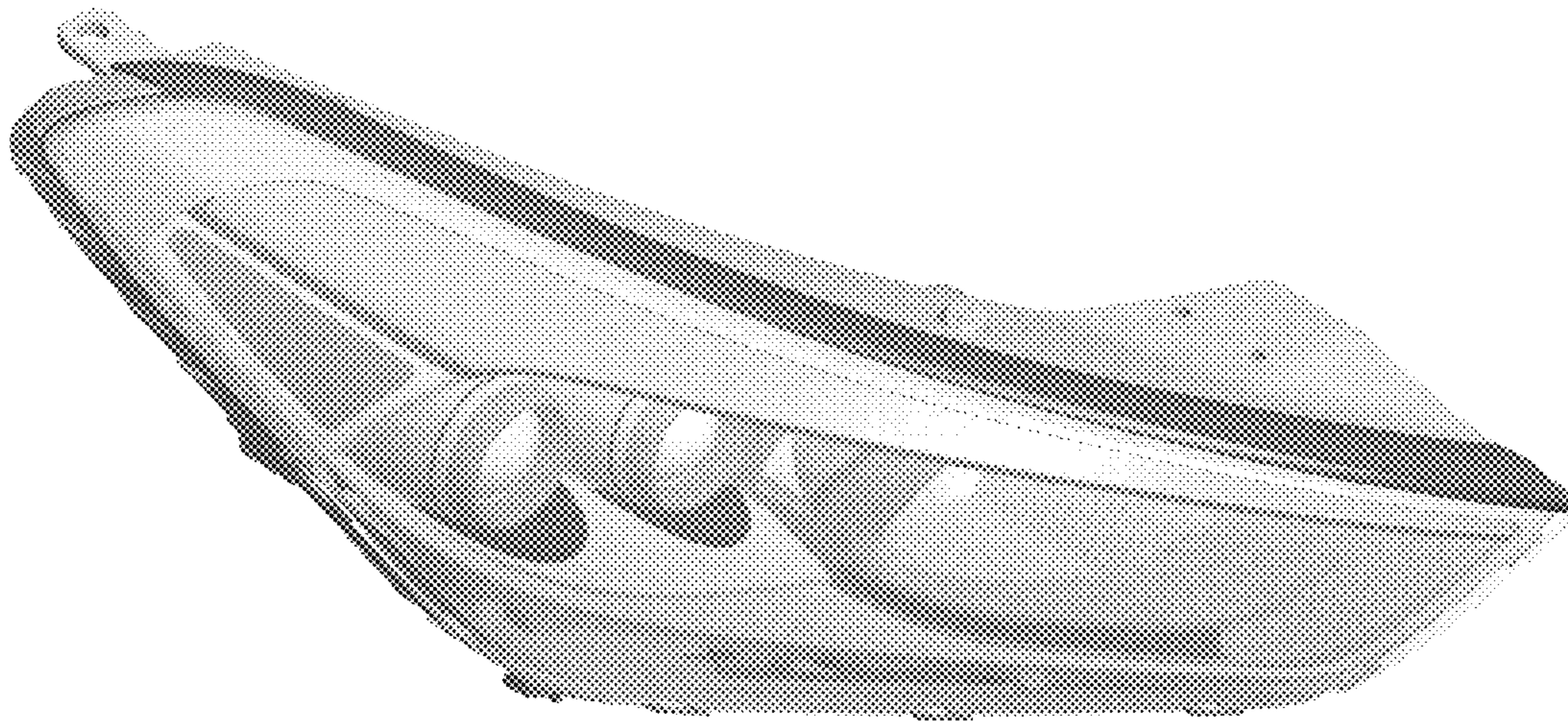


FIG. 2

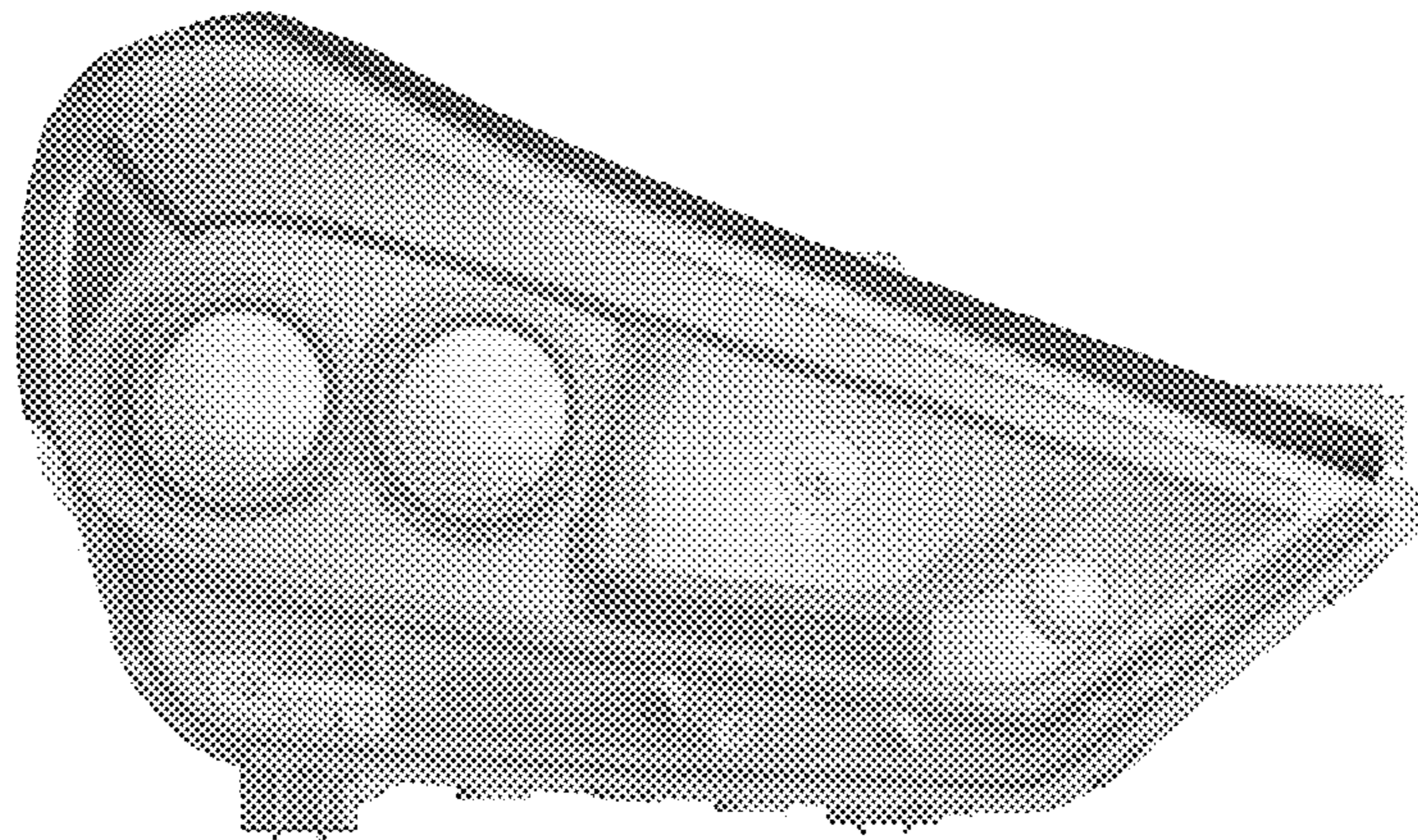


FIG. 3

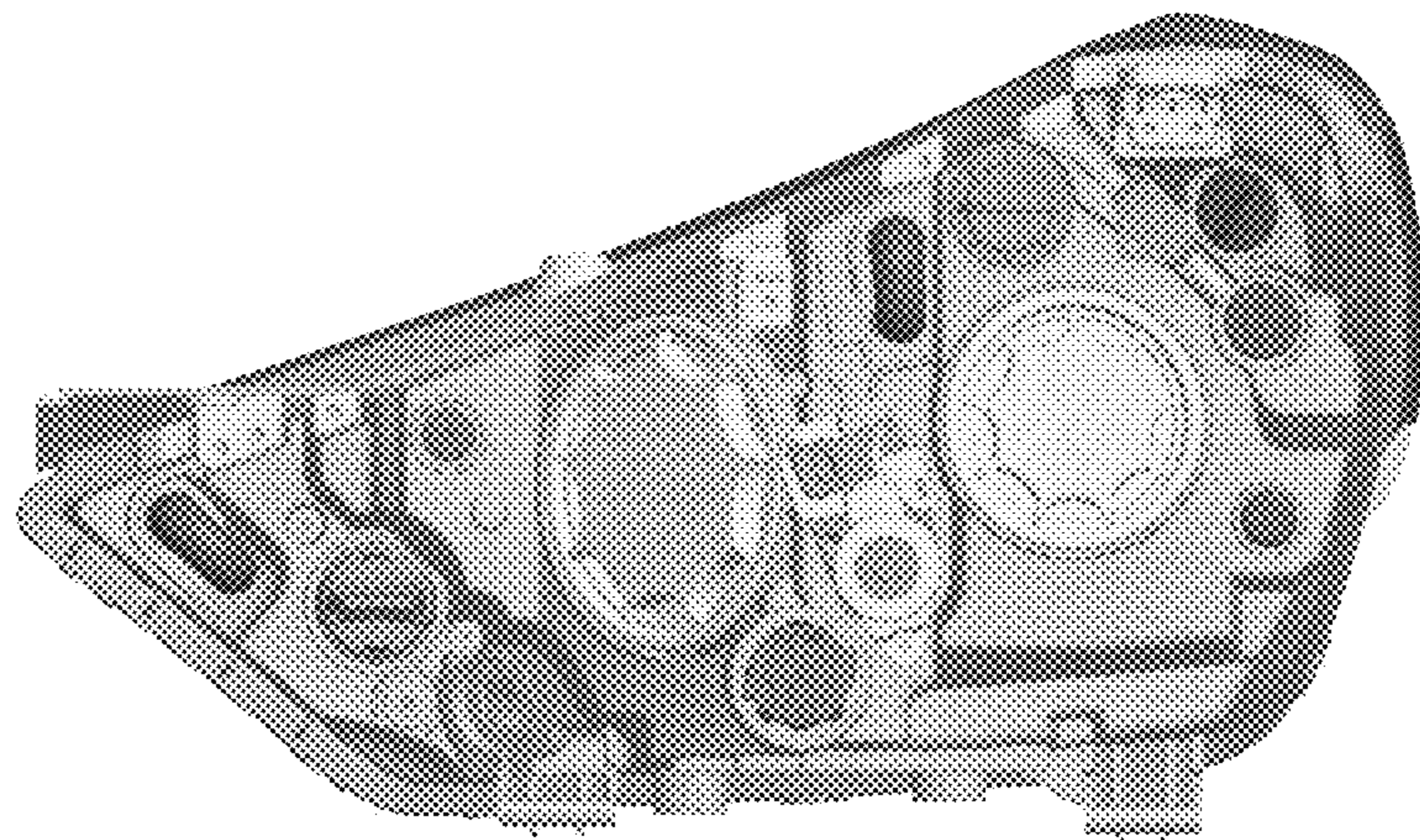


FIG. 4

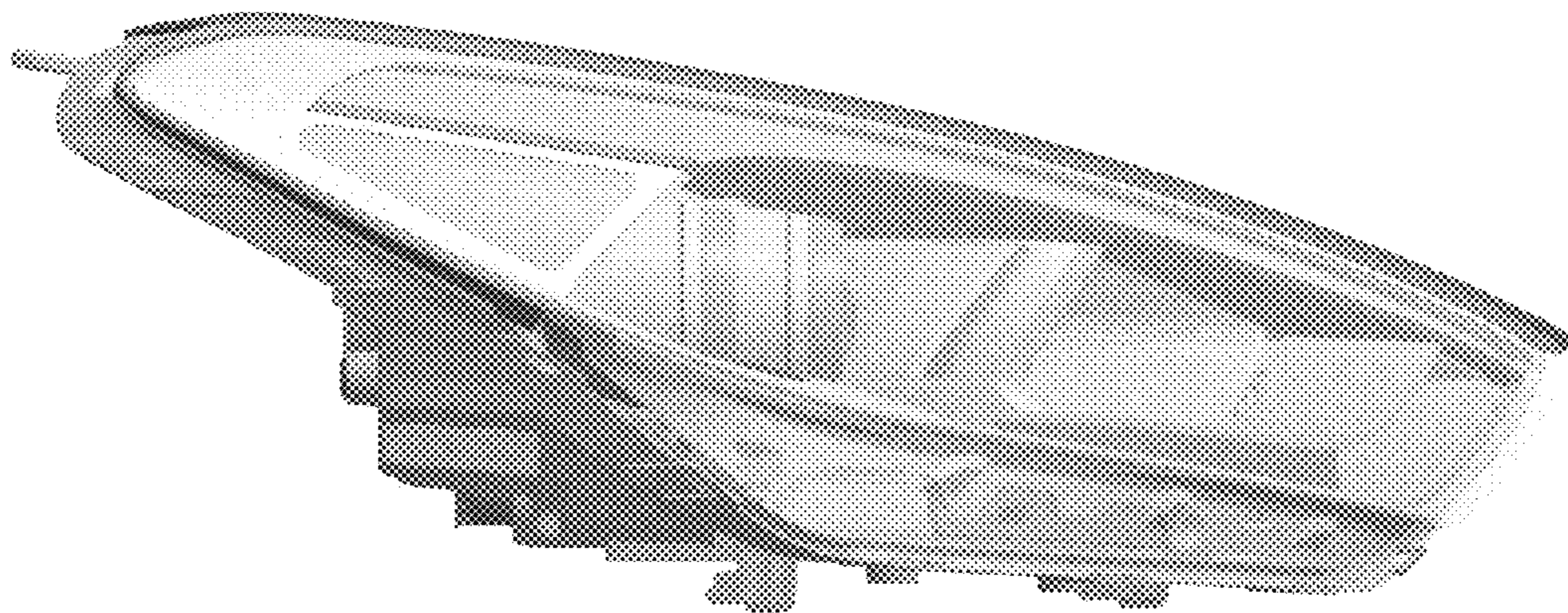


FIG. 5

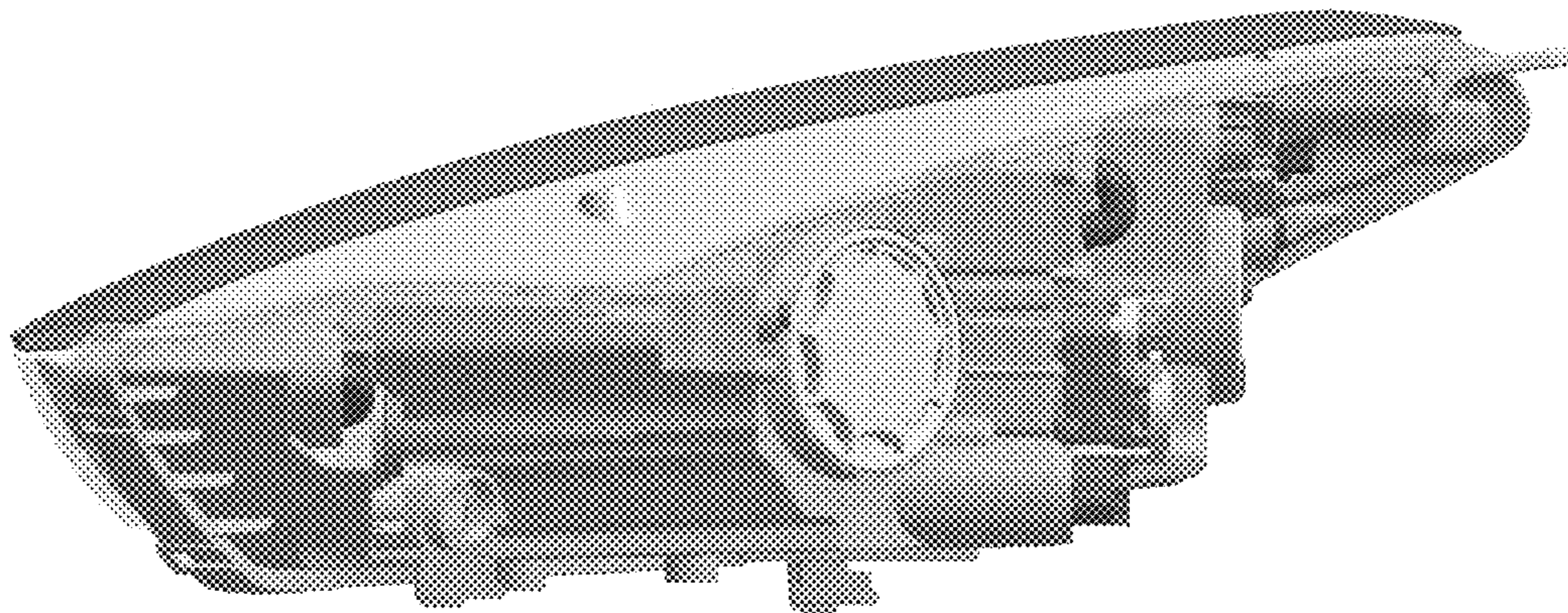


FIG. 6

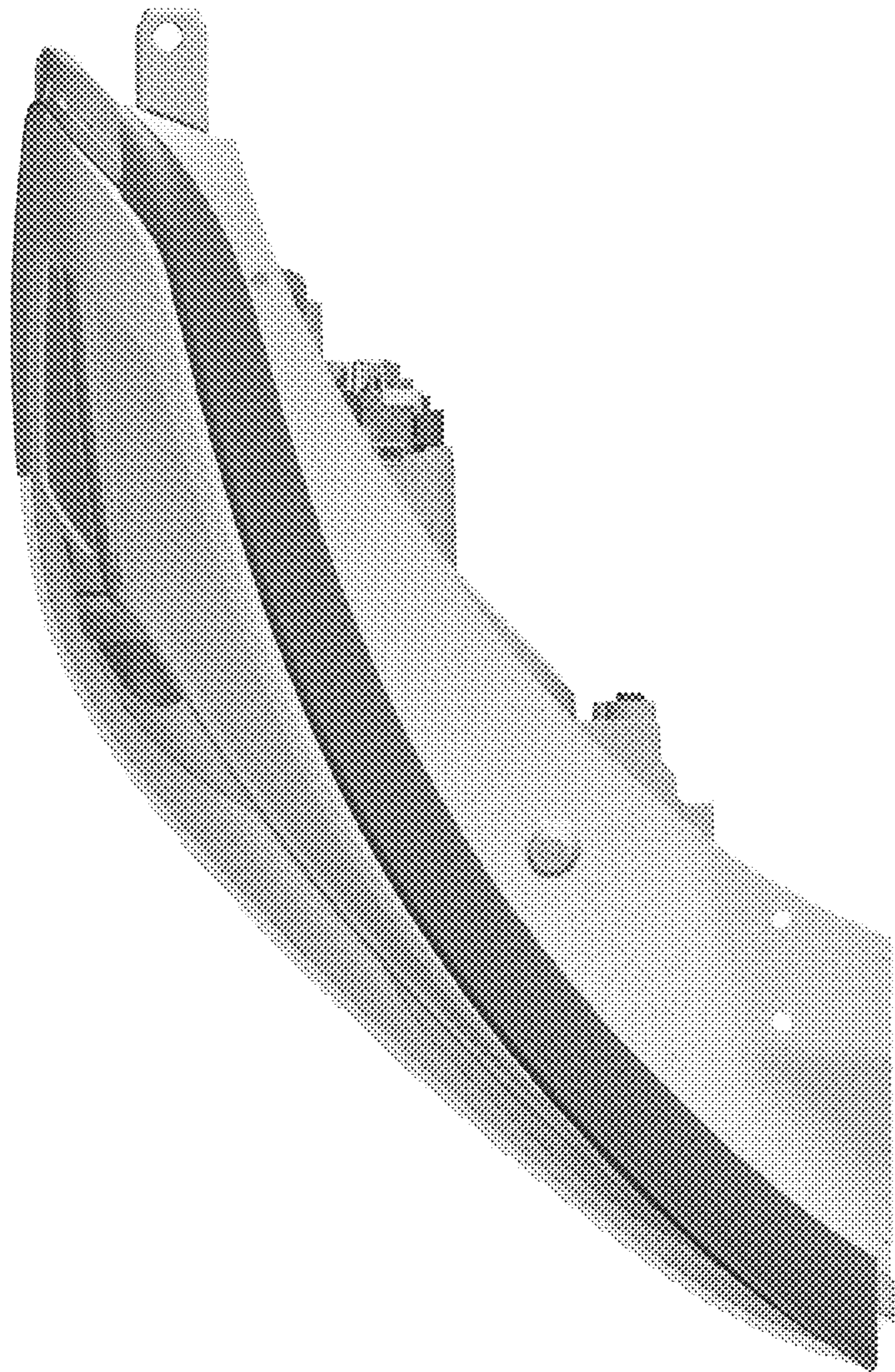


FIG. 7

