

US00D760409S

(12) **United States Design Patent**
Arroba

(10) **Patent No.:** **US D760,409 S**
(45) **Date of Patent:** **** Jun. 28, 2016**

(54) **REAR COMBINATION LAMP FOR AN AUTOMOBILE**

(71) Applicant: **Nissan Motor Co., Ltd.**, Yokohama, Kanagawa (JP)

(72) Inventor: **Giovanny Arroba**, London (GB)

(73) Assignee: **Nissan Motor Co., Ltd.**, Yokohama (JP)

(**) Term: **14 Years**

(21) Appl. No.: **29/522,550**

(22) Filed: **Mar. 31, 2015**

(30) **Foreign Application Priority Data**

Oct. 1, 2014 (JP) 2014-021885

(51) **LOC (10) Cl.** **26-06**

(52) **U.S. Cl.**
USPC **D26/28**

(58) **Field of Classification Search**
USPC D26/28-36; 362/459-468, 475-478, 362/485-487

CPC F21S 48/00; F21S 48/10; F21S 48/115; F21S 48/225; F21S 48/1233; F21S 48/1266; F21S 48/1388; F21S 48/2268; F21V 21/04
See application file for complete search history.

(56) **References Cited**

U.S. PATENT DOCUMENTS

D541,445 S * 4/2007 Lin D26/28
D549,363 S * 8/2007 Pfeiffer D26/28

(Continued)

FOREIGN PATENT DOCUMENTS

JP D1348561 S 1/2009
JP D1419129 S 7/2012

(Continued)

Primary Examiner — Marcus Jackson

(74) *Attorney, Agent, or Firm* — Global IP Counselors, LLP

(57) **CLAIM**

The ornamental design for a rear combination lamp for an automobile, as shown and described.

DESCRIPTION

FIG. 1 is a front elevational view of a rear combination lamp for an automobile in accordance with a first embodiment of our new design;

FIG. 2 is a rear elevational view of the rear combination lamp in accordance with the first embodiment of our new design of FIG. 1;

FIG. 3 is a top plan view of the rear combination lamp in accordance with the first embodiment of our new design of FIGS. 1 and 2;

FIG. 4 is a bottom plan view of the rear combination lamp in accordance with the first embodiment of our new design of FIGS. 1 to 3;

FIG. 5 is a right side elevational view of the rear combination lamp in accordance with the first embodiment of our new design of FIGS. 1 to 4;

FIG. 6 is a left side elevational view of the rear combination lamp in accordance with the first embodiment of our new design of FIGS. 1 to 5; and,

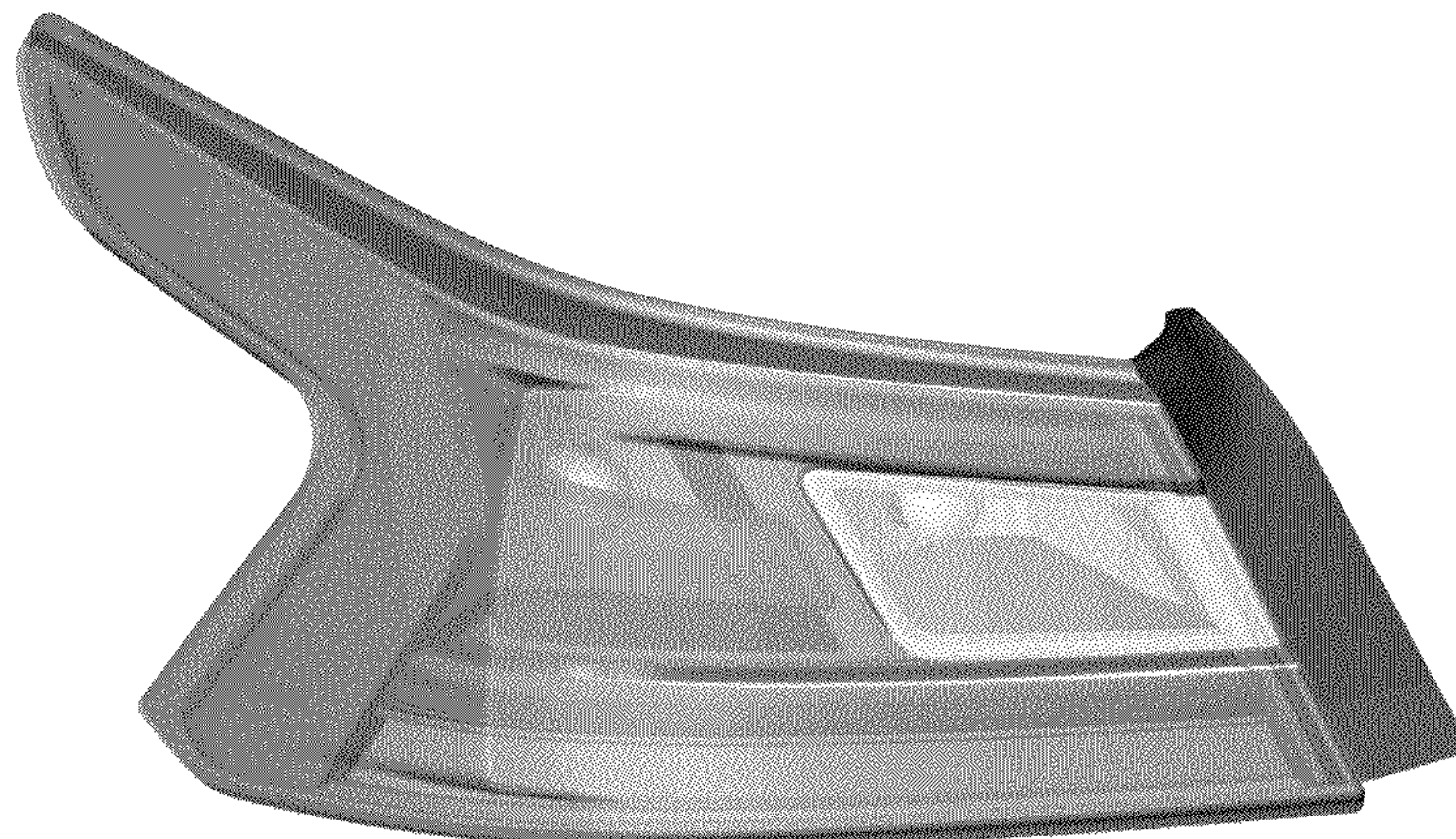
FIG. 7 is a front side perspective view of the rear combination lamp in accordance with the first embodiment of our new design of FIGS. 1 to 6.

The rear elevational view of FIG. 2 and the left side elevational view of FIG. 6 form no part of the claimed design. In addition, the rear combination lamp is configured to be mounted to an automobile. The mounting structure and support structure of the rear combination lamp, visible in FIGS. 2 to 7, form no part of the claimed design since the mounting structure and support structure are hidden when the rear combination lamp is mounted to the automobile.

In addition, the appearance of the rear side structures and inside side structures of the rear combination lamp as seen in FIGS. 2 to 7 is for purpose of illustrating the boundaries of the exterior surface of the outside of the rear combination lamp, and forms no part of the claimed design.

A second embodiment of our new design is identical to the first embodiment. The second embodiment of our new design includes the mirror image of the rear combination lamp shown in FIGS. 1 to 7.

1 Claim, 7 Drawing Sheets



(56)

References Cited

D709,633 S 7/2014 Kabata

U.S. PATENT DOCUMENTS

FOREIGN PATENT DOCUMENTS

D552,769 S * 10/2007 Leclercq D26/28
D553,268 S * 10/2007 Pfeiffer D26/28
D553,269 S * 10/2007 Pfeiffer D26/28
D565,211 S * 3/2008 Haller D26/28
D574,524 S * 8/2008 Tomatsu D26/28
D602,616 S * 10/2009 Okamura D26/28
D605,793 S * 12/2009 Weil D26/28
D620,157 S * 7/2010 Frenzel D26/28
D671,248 S 11/2012 Fuchigami et al.
D709,632 S 7/2014 Sato et al.

JP D1479645 S 9/2013
JP D1499544 S 6/2014
JP D1500716 S 6/2014
JP D1509064 S 10/2014
JP D1510473 S 11/2014
JP D1517667 S 2/2015
JP D1518110 S 2/2015

* cited by examiner

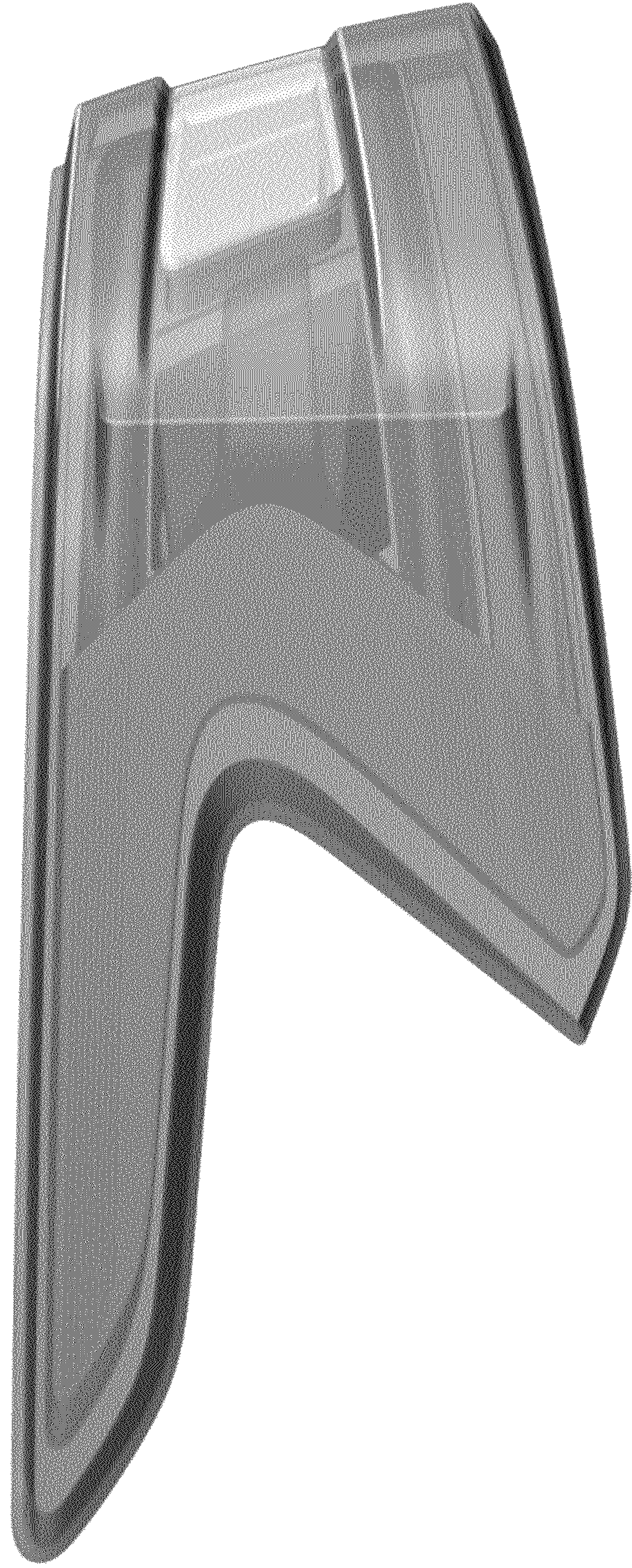


FIG. 1

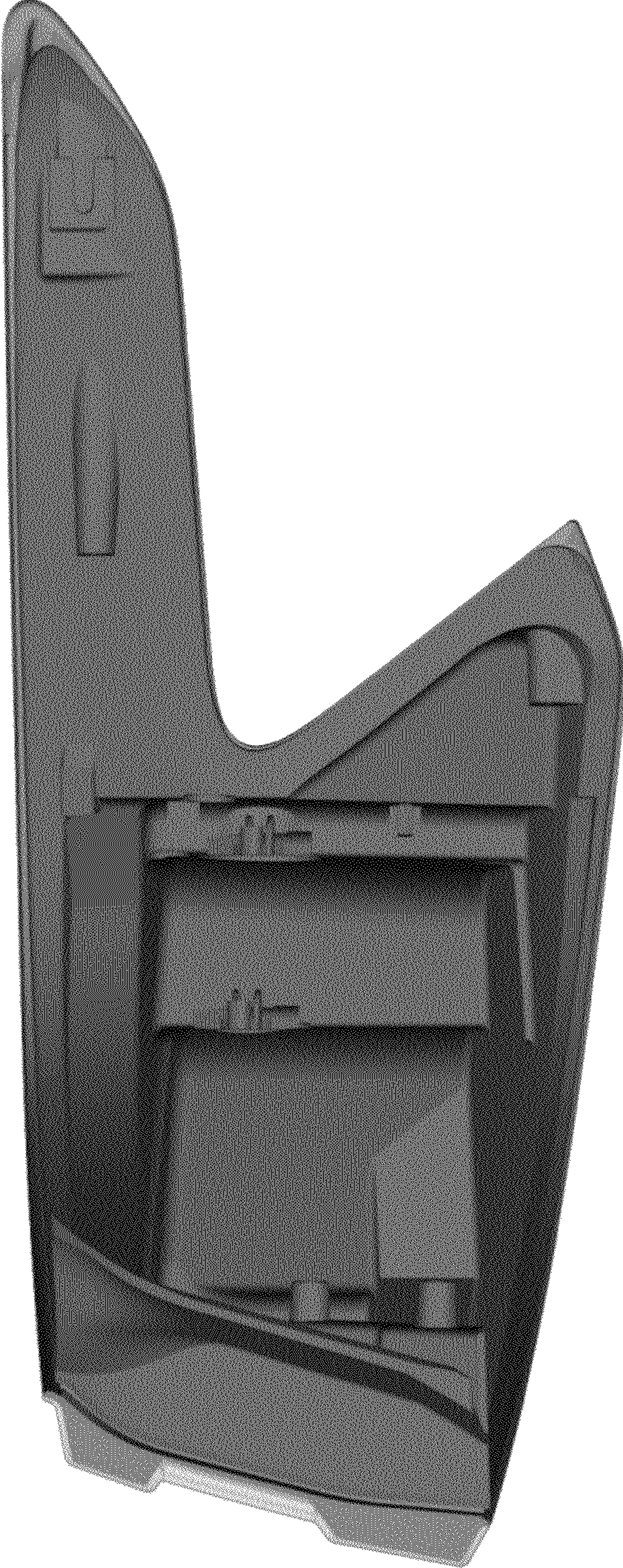


FIG. 2

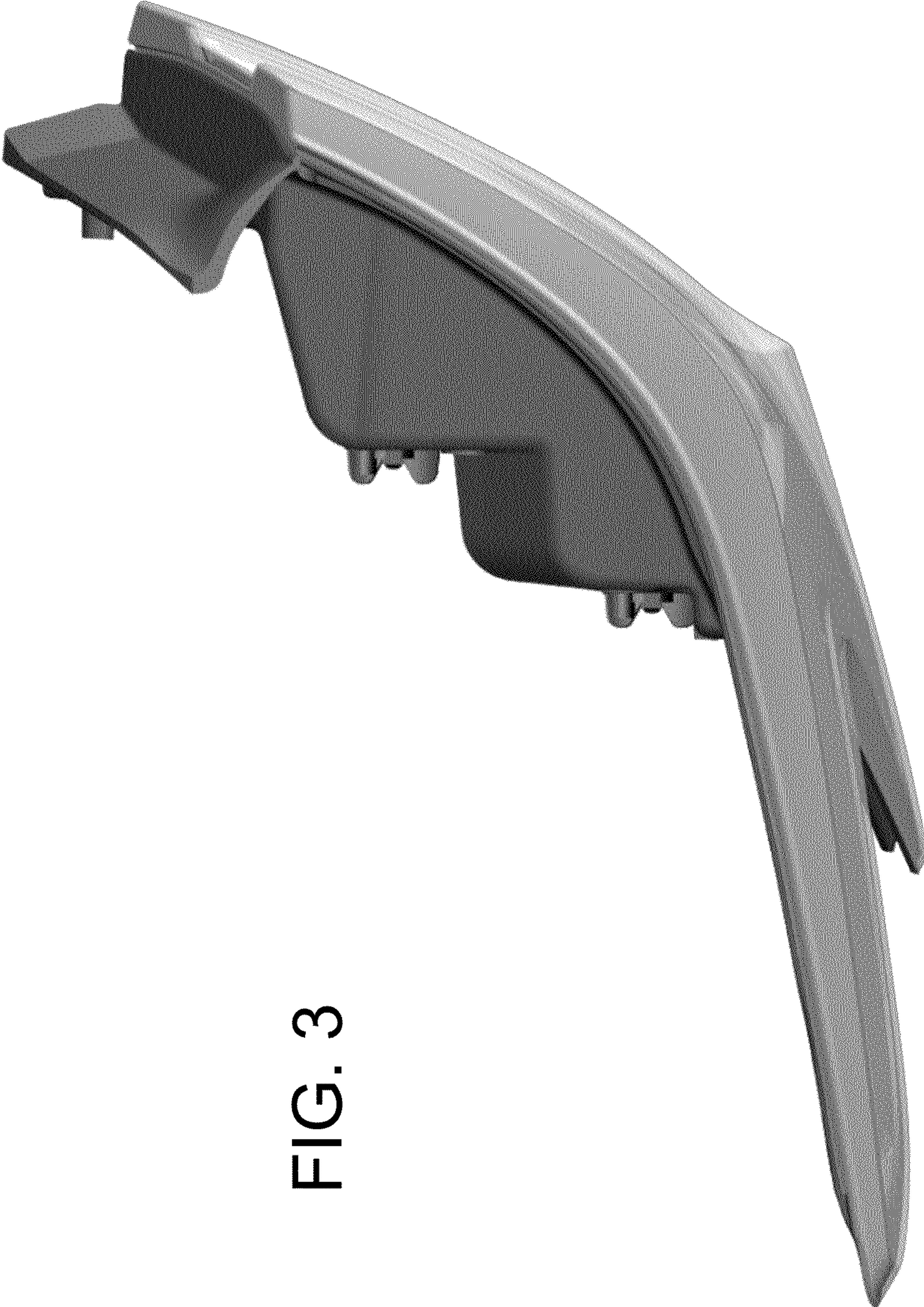


FIG. 3



FIG. 4



FIG. 5

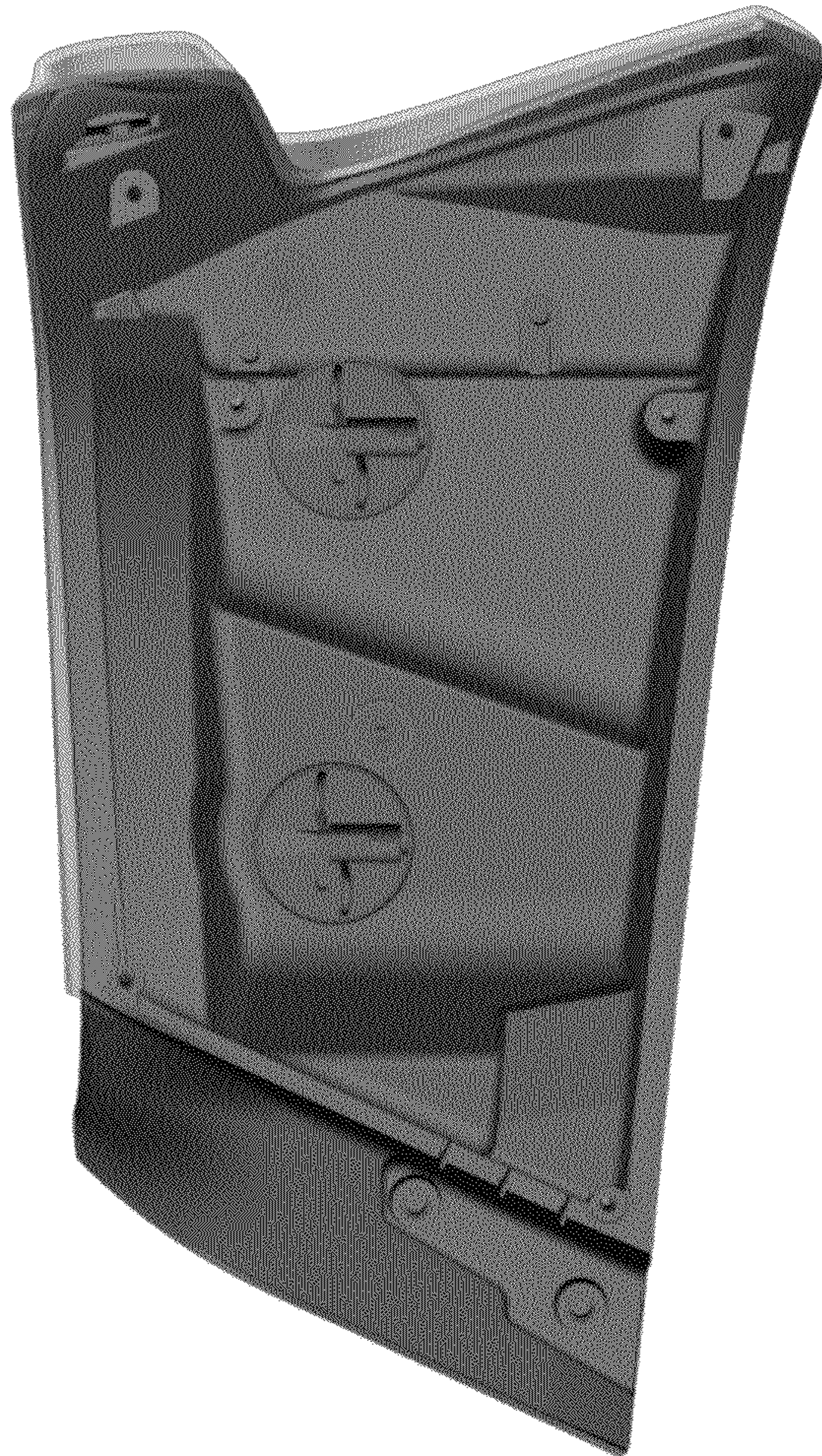


FIG. 6

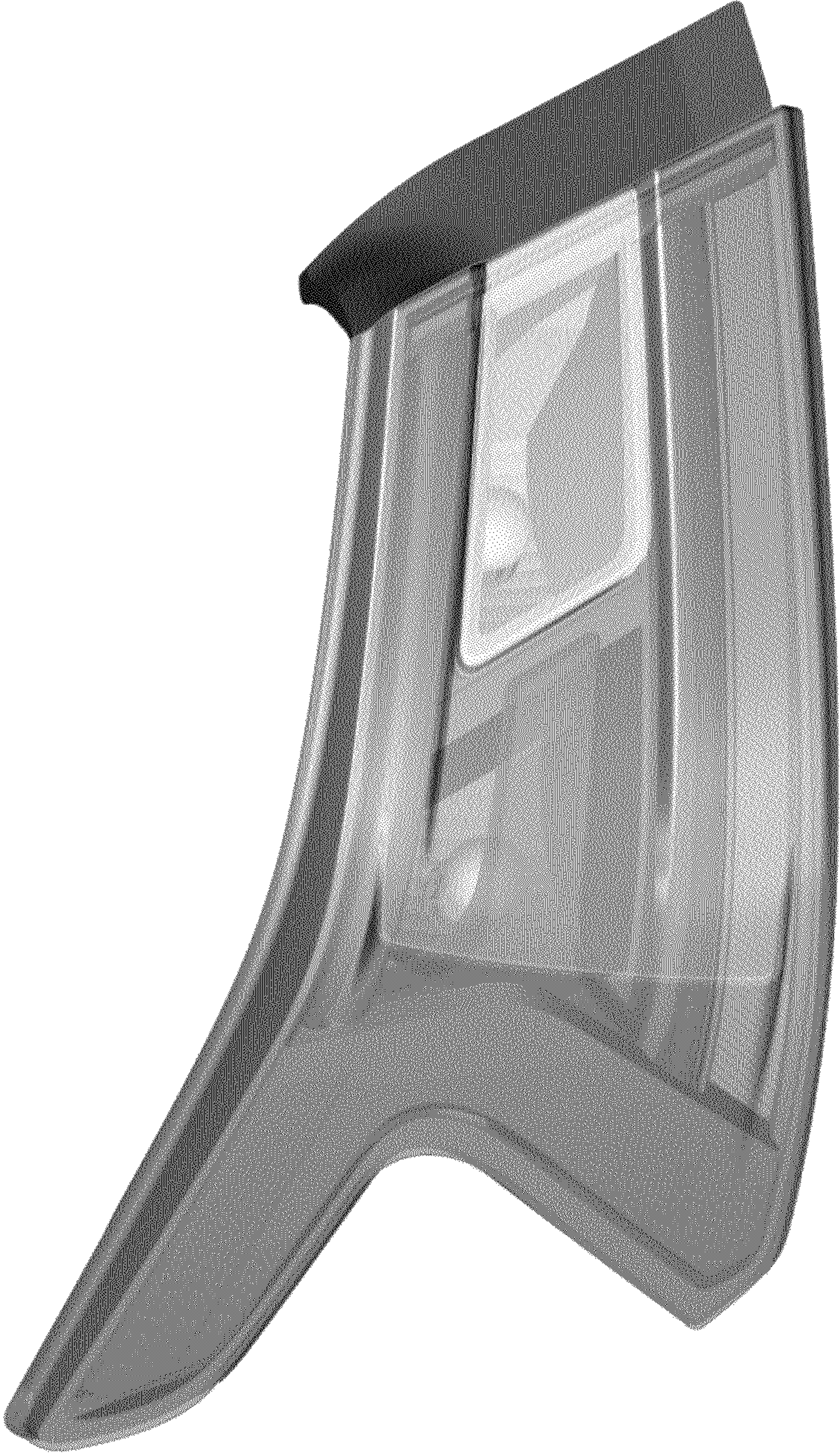


FIG. 7