



US00D760408S

(12) **United States Design Patent**  
**Arroba**

(10) **Patent No.:** **US D760,408 S**  
(45) **Date of Patent:** **\*\* Jun. 28, 2016**

(54) **HEADLAMP FOR AN AUTOMOBILE**

(71) Applicant: **Nissan Motor Co., Ltd.**, Yokohama,  
Kanagawa (JP)

(72) Inventor: **Giovanny Arroba**, London (GB)

(73) Assignee: **Nissan Motor Co., Ltd.**, Yokohama (JP)

(\*\*) Term: **14 Years**

(21) Appl. No.: **29/522,548**

(22) Filed: **Mar. 31, 2015**

(30) **Foreign Application Priority Data**

Oct. 1, 2014 (JP) ..... 2014-021884

(51) **LOC (10) Cl.** ..... **26-06**

(52) **U.S. Cl.**  
USPC ..... **D26/28**

(58) **Field of Classification Search**  
USPC ..... D26/28-36; 362/459-468, 475-478,  
362/485-487

CPC ..... F21S 48/00; F21S 48/10; F21S 48/115;  
F21S 48/225; F21S 48/1233; F21S 48/1266;  
F21S 48/1388; F21S 48/2268; F21V 21/04  
See application file for complete search history.

(56) **References Cited**

**U.S. PATENT DOCUMENTS**

D538,956 S \* 3/2007 Ishii ..... D26/28  
D544,614 S \* 6/2007 Markefka ..... D26/28

(Continued)

**FOREIGN PATENT DOCUMENTS**

JP D1438612 S 4/2012  
JP D1444785 S 6/2012

(Continued)

*Primary Examiner* — Marcus Jackson

(74) *Attorney, Agent, or Firm* — Global IP Counselors, LLP

(57) **CLAIM**

The ornamental design for a headlamp for an automobile, as shown and described.

**DESCRIPTION**

FIG. 1 is an outside elevational view of a headlamp for an automobile in accordance with a first embodiment of our new design;

FIG. 2 is an inside elevational view of the headlamp in accordance with the first embodiment of our new design of FIG. 1; FIG. 3 is a top plan view of the headlamp in accordance with the first embodiment of our new design of FIGS. 1 and 2;

FIG. 4 is a bottom plan view of the headlamp in accordance with the first embodiment of our new design of FIGS. 1 to 3; FIG. 5 is a front side elevational view of the headlamp in accordance with the first embodiment of our new design of FIGS. 1 to 4;

FIG. 6 is a rear side elevational view of the headlamp in accordance with the first embodiment of our new design of FIGS. 1 to 5; and,

FIG. 7 is a front side perspective view of the headlamp in accordance with the first embodiment of our new design of FIGS. 1 to 6.

The inside elevational view of FIG. 2 and the rear side elevational view of FIG. 6 form no part of the claimed design. In addition, the headlamp is configured to be mounted to an automobile. The mounting structure and support structure of the headlamp, visible in FIGS. 1 to 7, form no part of the claimed design since the mounting structure and support structure are hidden when the headlamp is mounted to the automobile.

In addition, the appearance of the rear side structures and inside side structures of the headlamp as seen in FIGS. 1, 3, 4, 5 and 7 is for purpose of illustrating the boundaries of the exterior surface of the outside of the headlamp, and forms no part of the claimed design.

A second embodiment of our new design is identical to the first embodiment. The second embodiment of our new design includes the mirror image of the rear combination lamp shown in FIGS. 1 to 7.

**1 Claim, 7 Drawing Sheets**



(56)

**References Cited**

U.S. PATENT DOCUMENTS

D561,358 S \* 2/2008 Tachibana ..... D26/28  
 D593,232 S \* 5/2009 Koman ..... D26/28  
 D635,694 S \* 4/2011 Yang ..... D26/28

FOREIGN PATENT DOCUMENTS

JP D1447495 S 7/2012  
 JP D1452256 S 10/2012  
 JP D1455119 S 11/2012  
 JP D1461643 S 2/2013  
 JP D1473303 S 6/2013  
 JP D1474590 S 7/2013  
 JP D1474630 S 7/2013  
 JP D1458892 S 12/2013  
 JP D1485581 S 12/2013  
 JP D1459434 S 1/2014

JP D1490596 S 2/2014  
 JP D1491430 S 3/2014  
 JP D1499007 S 6/2014  
 JP D1499560 S 6/2014  
 JP D1500452 S 6/2014  
 JP D1474963 S 7/2014  
 JP D1504929 S 8/2014  
 JP D1479979 S 9/2014  
 JP D1508112 S 9/2014  
 JP D1509063 S 10/2014  
 JP D1511272 S 11/2014  
 JP D1511433 S 11/2014  
 JP D1513126 S 12/2014  
 JP D1513542 S 12/2014  
 JP D1517664 S 2/2015  
 JP D1518111 S 2/2015  
 JP D1518266 S 2/2015  
 JP D1518517 S 3/2015

\* cited by examiner



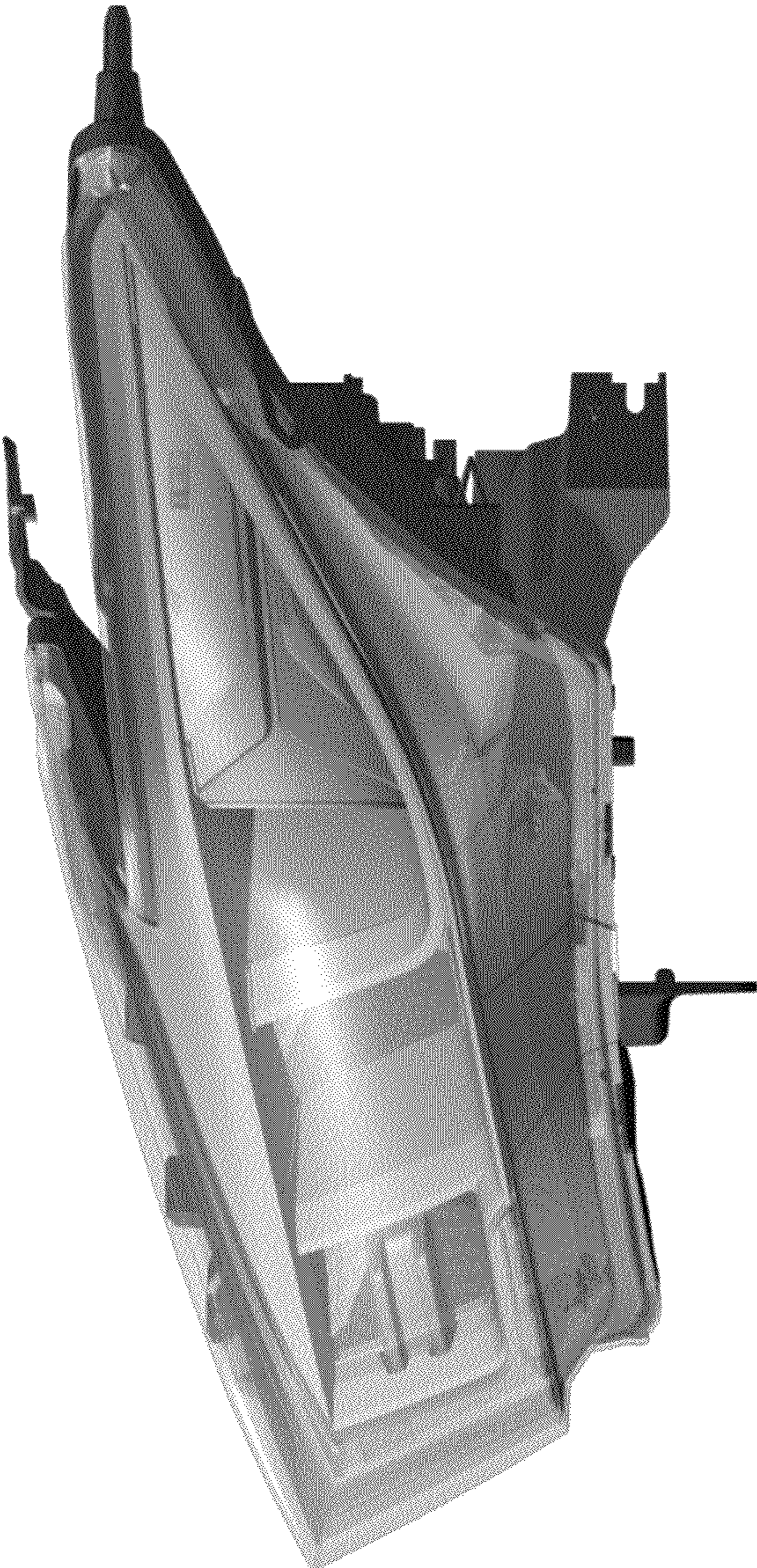


FIG. 1



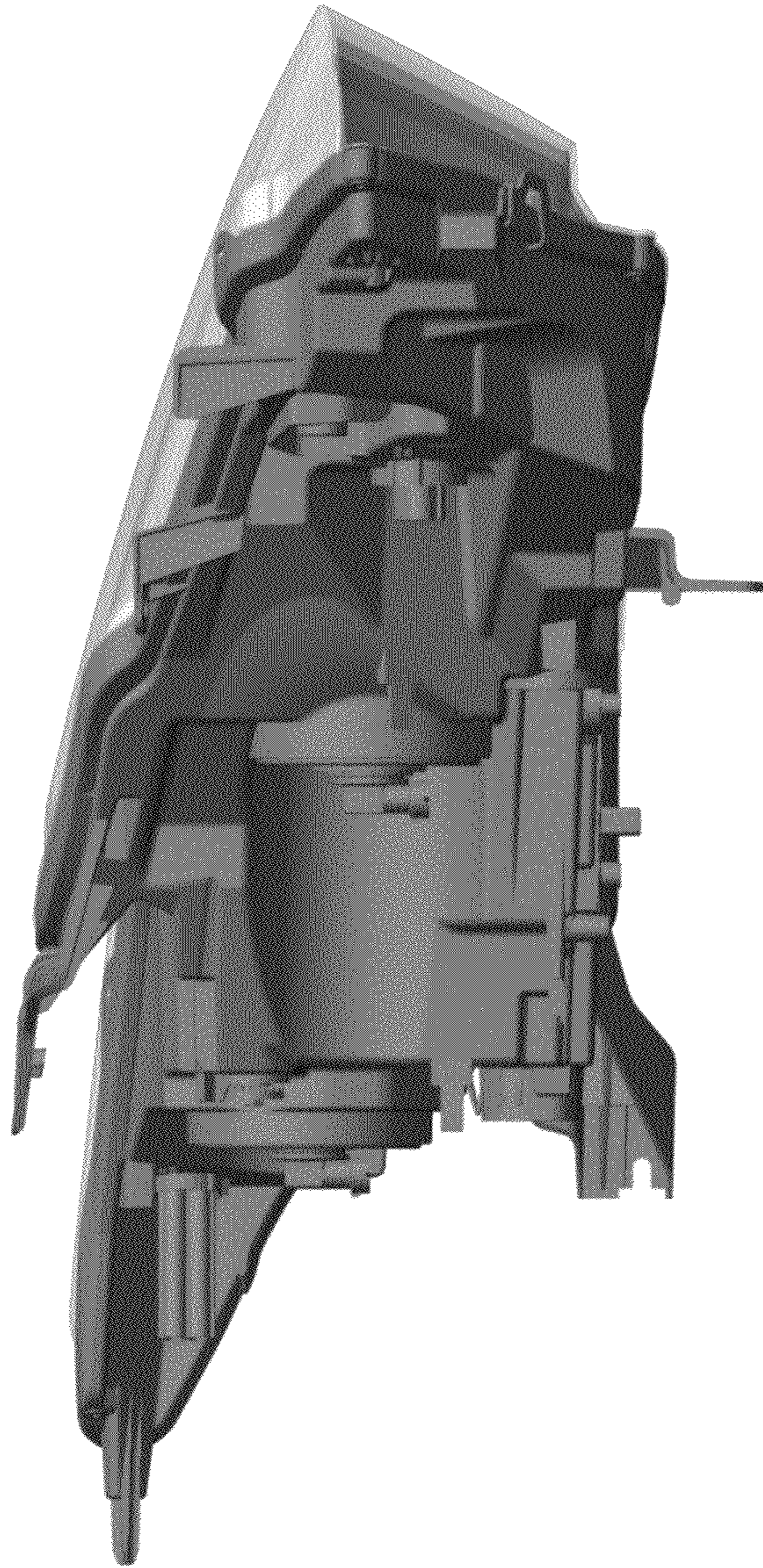


FIG. 2



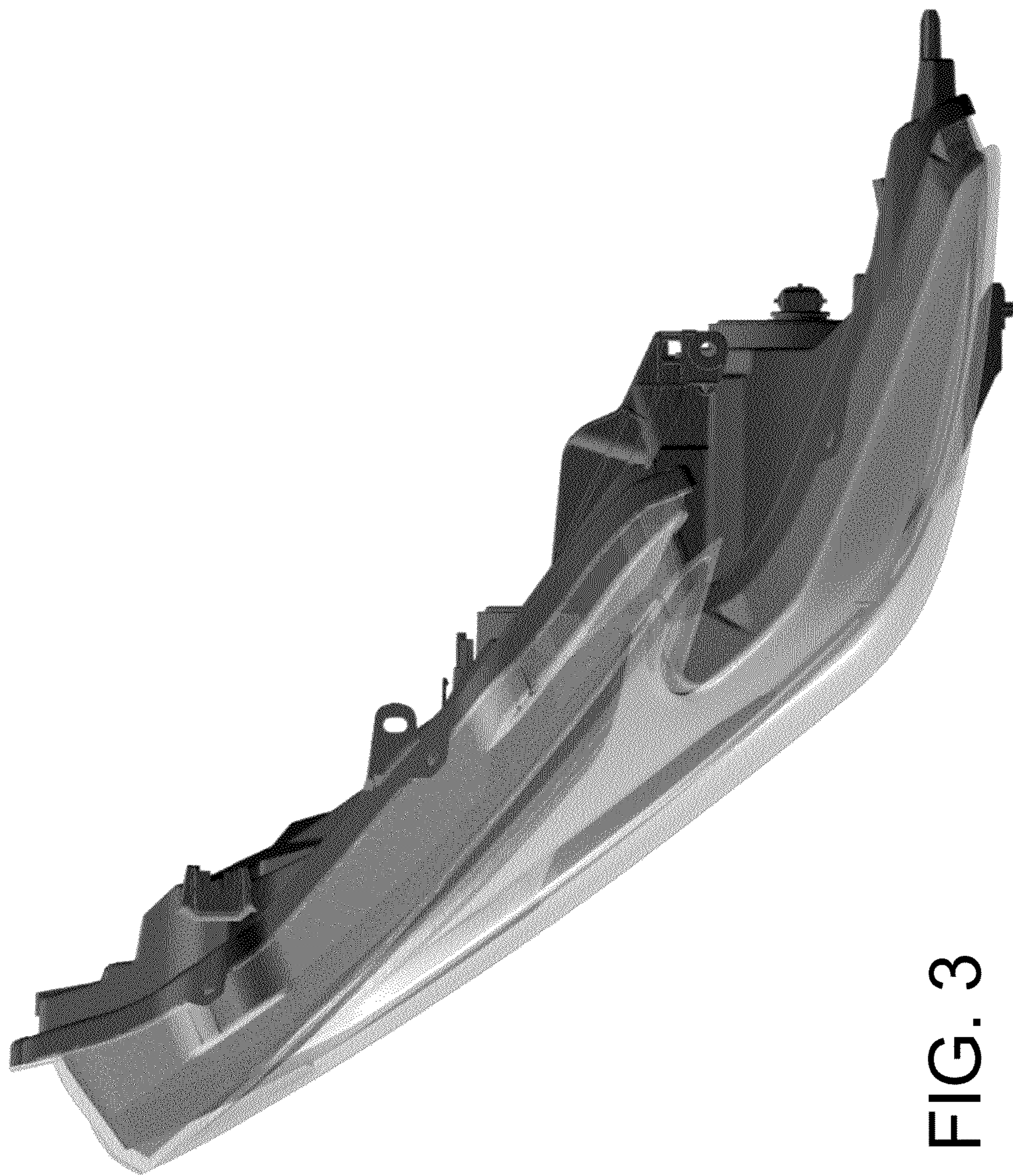


FIG. 3



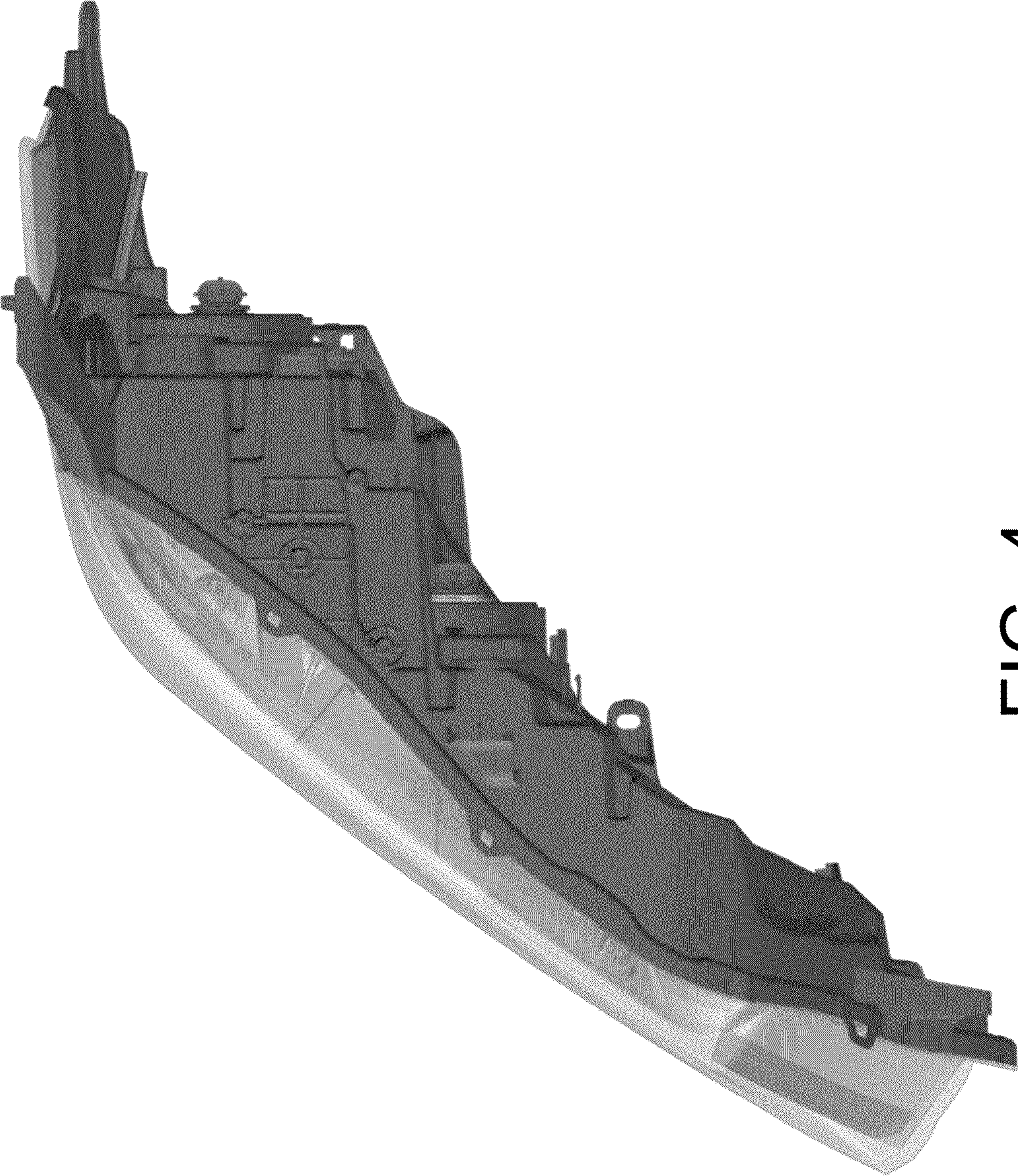


FIG. 4





FIG. 5



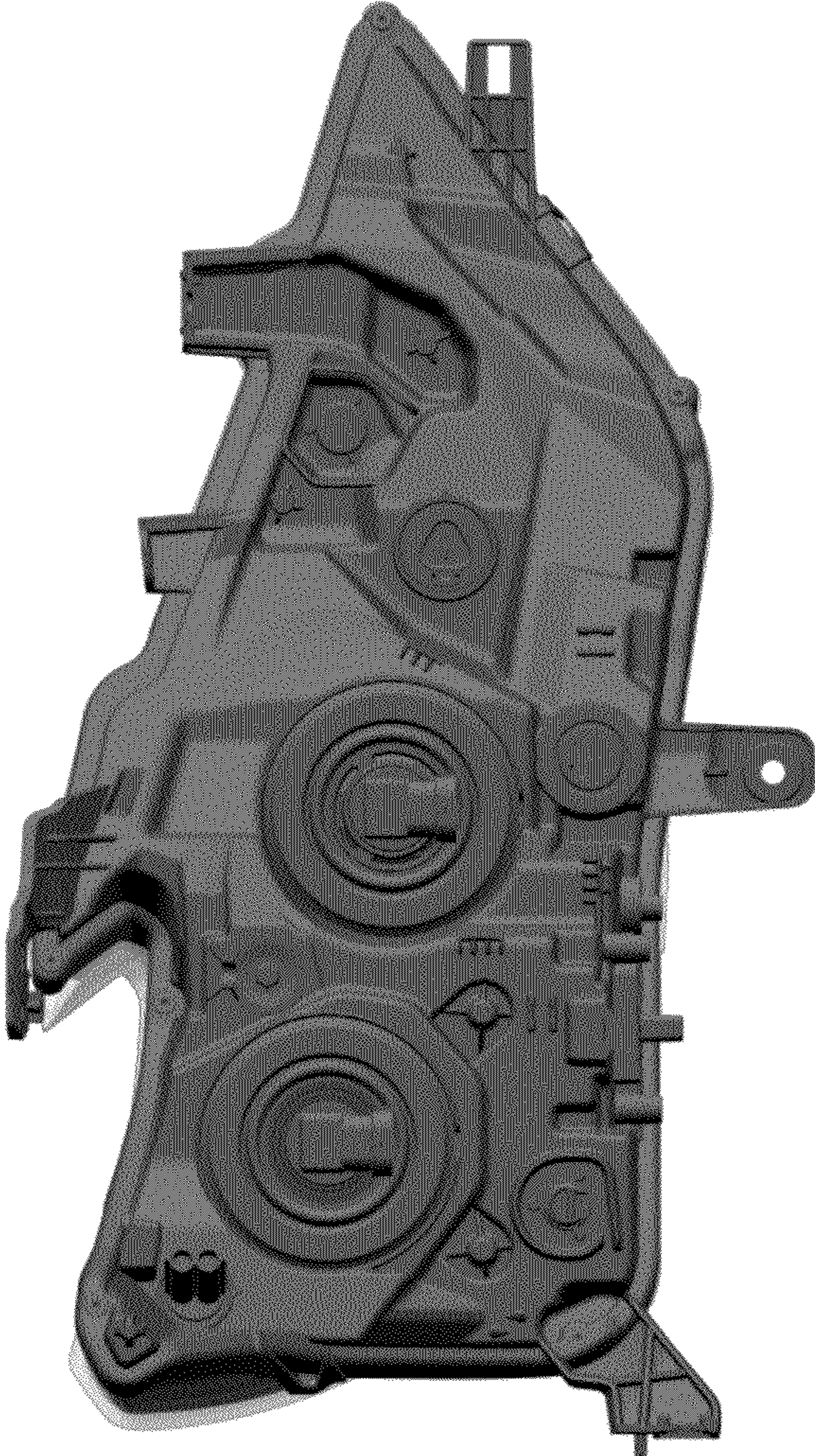


FIG. 6





FIG. 7