

US00D760407S

(12) **United States Design Patent**  
**Yang**

(10) **Patent No.:** **US D760,407 S**  
(45) **Date of Patent:** **\*\* Jun. 28, 2016**

- (54) **LAMP FOR A VEHICLE**
- (71) Applicant: **SONAR AUTO PARTS CO., LTD.**,  
New Taipei (TW)
- (72) Inventor: **Hsiu-Pen Yang**, New Taipei (TW)
- (73) Assignee: **SONAR AUTO PARTS CO., LTD.**,  
New Taipei (TW)
- (\*\*) Term: **14 Years**
- (21) Appl. No.: **29/518,993**
- (22) Filed: **Mar. 1, 2015**
- (51) **LOC (10) Cl.** ..... **26-06**
- (52) **U.S. Cl.**  
USPC ..... **D26/28**
- (58) **Field of Classification Search**  
USPC ..... D26/28-36; 362/61, 80-83, 267-269,  
362/459-468, 475-478, 485-487  
CPC ..... F21S 48/00; F21S 48/10; F21S 48/115;  
F21S 48/225; F21S 48/1233; F21S 48/1266;  
F21S 48/1388; F21S 48/2268; F21V 21/04  
See application file for complete search history.

- D626,670 S \* 11/2010 Metzger ..... D26/28
- D688,400 S \* 8/2013 Haumann ..... D26/28
- D716,477 S \* 10/2014 Chu ..... D26/28
- D718,478 S \* 11/2014 Adams ..... D26/28

\* cited by examiner

*Primary Examiner* — Marcus Jackson  
(74) *Attorney, Agent, or Firm* — Li & Cai Intellectual  
Property (USA) Office

(57) **CLAIM**

The ornamental design for a “lamp for a vehicle,” as shown  
and described.

**DESCRIPTION**

FIG. 1 is a perspective view of a lamp for a vehicle showing  
our new design;  
FIG. 2 is a front view thereof;  
FIG. 3 is a rear view thereof;  
FIG. 4 is a left side view thereof;  
FIG. 5 is a right side view thereof;  
FIG. 6 is a top view thereof;  
FIG. 7 is a bottom view thereof; and,  
FIG. 8 is a perspective view viewed from another visual angle  
thereof.

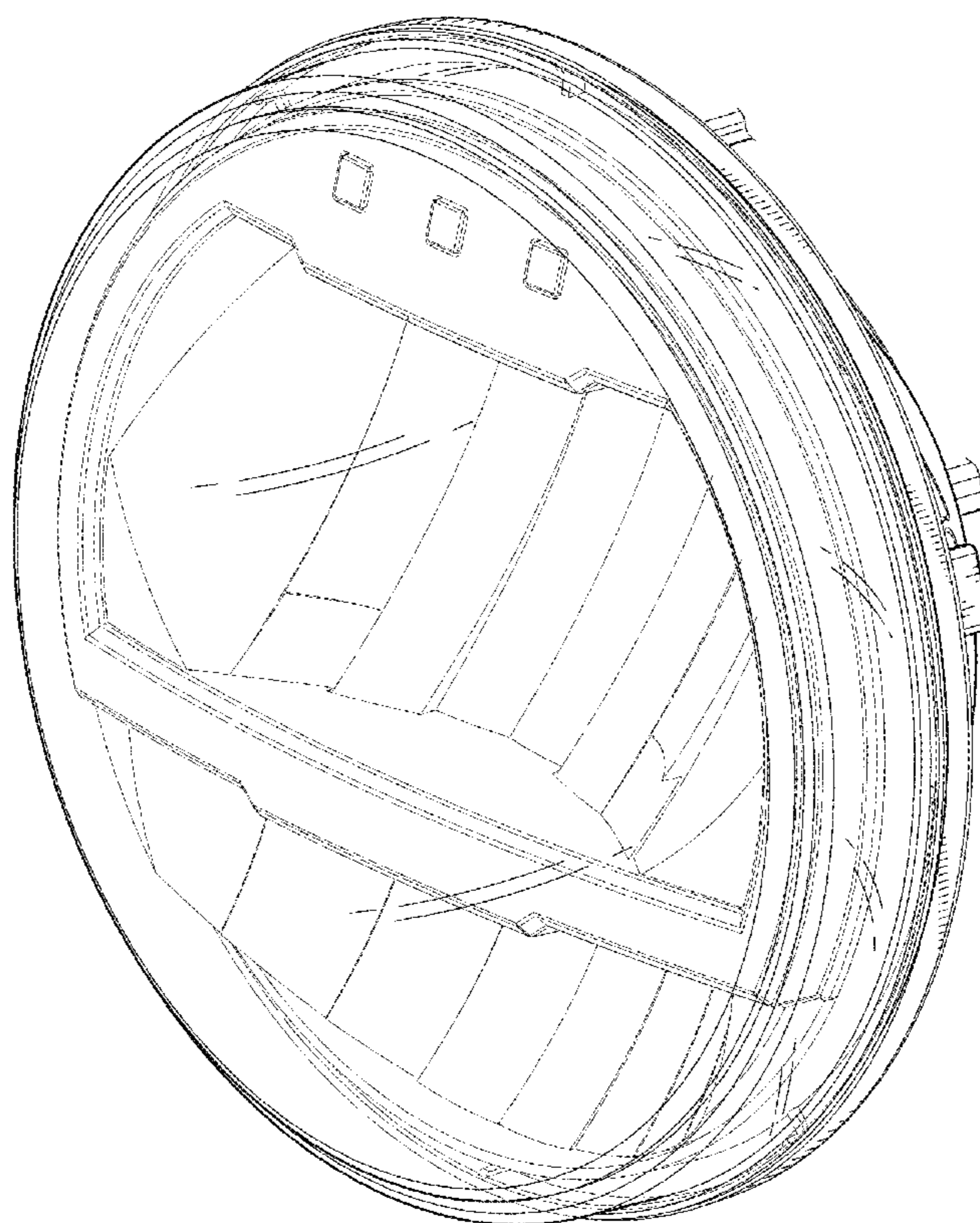
The wires which are shown in the drawing disclosure that are  
broken away on the ends indicate indeterminate length.

(56) **References Cited**

**U.S. PATENT DOCUMENTS**

- D490,172 S \* 5/2004 Yamamoto ..... D26/28
- D564,683 S \* 3/2008 Roach ..... D26/28

**1 Claim, 8 Drawing Sheets**



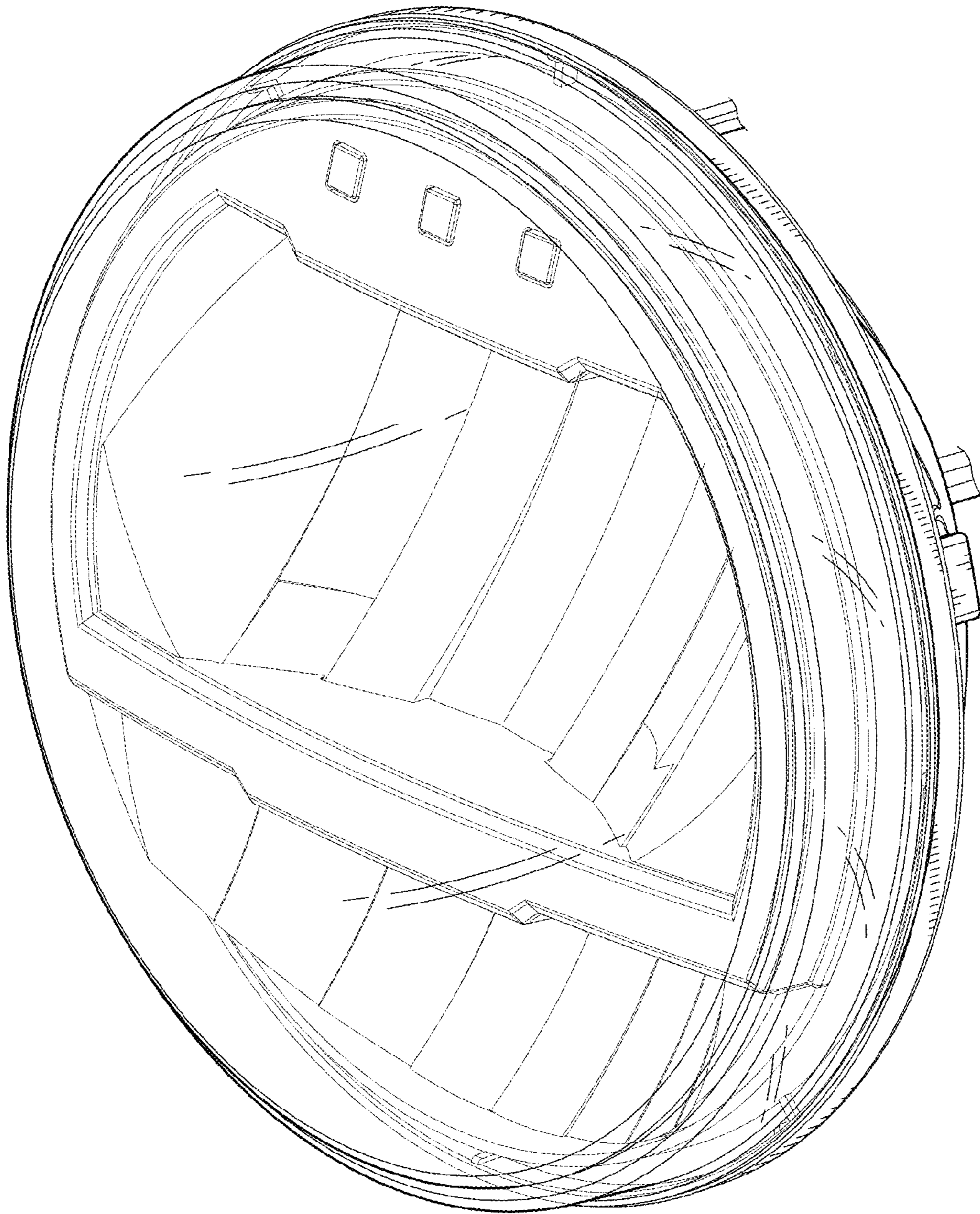


FIG.1

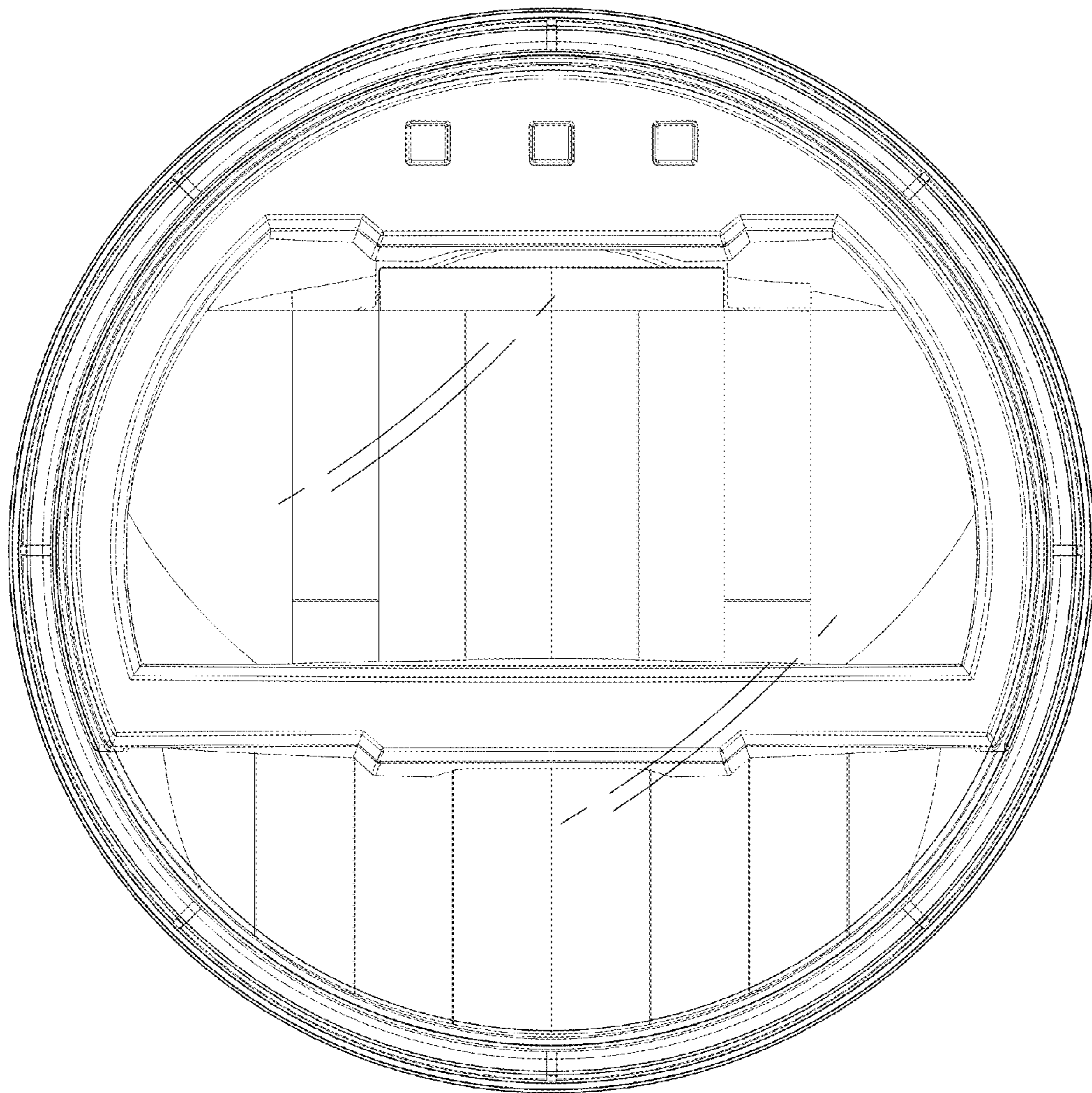


FIG.2

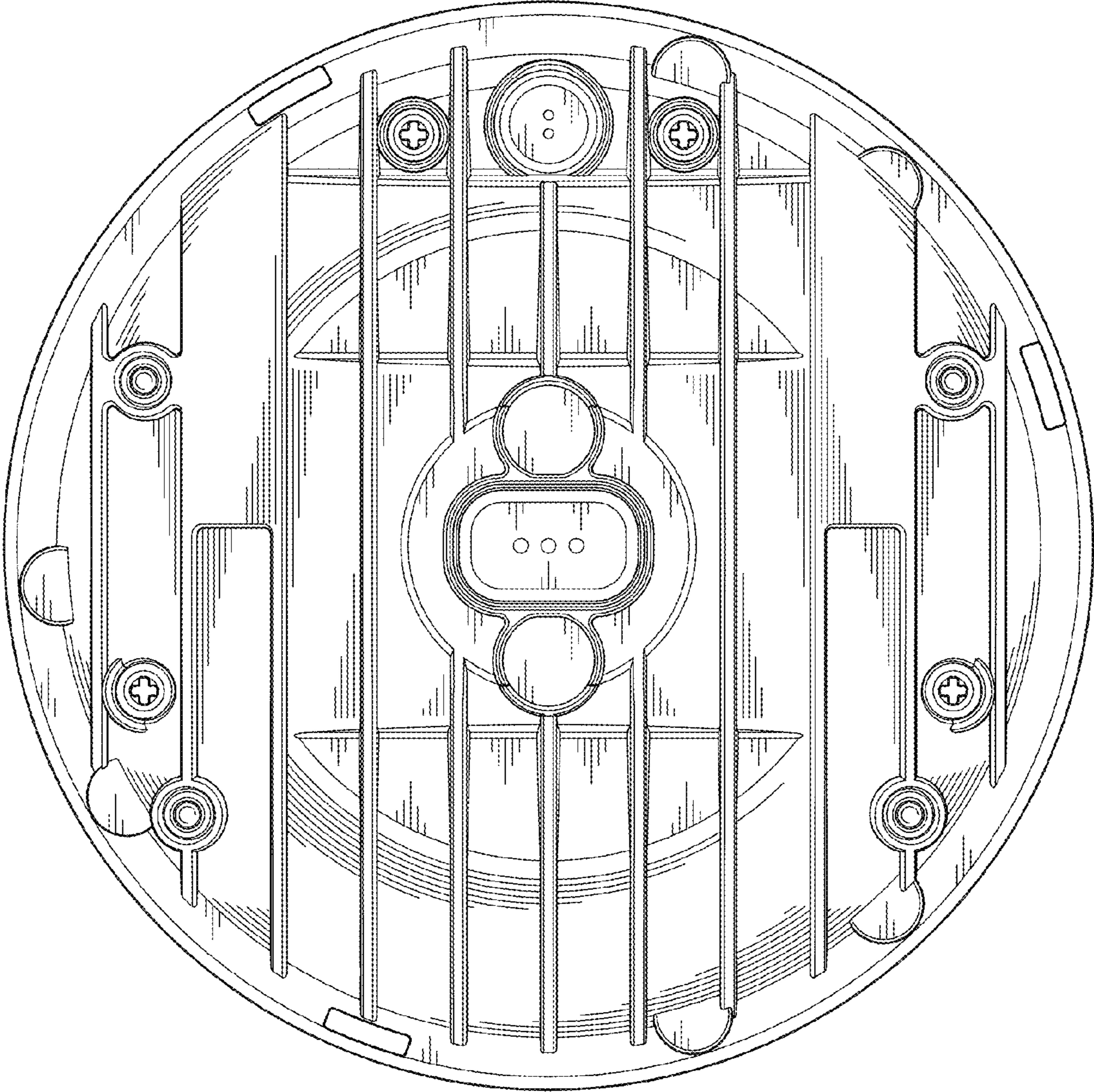


FIG.3

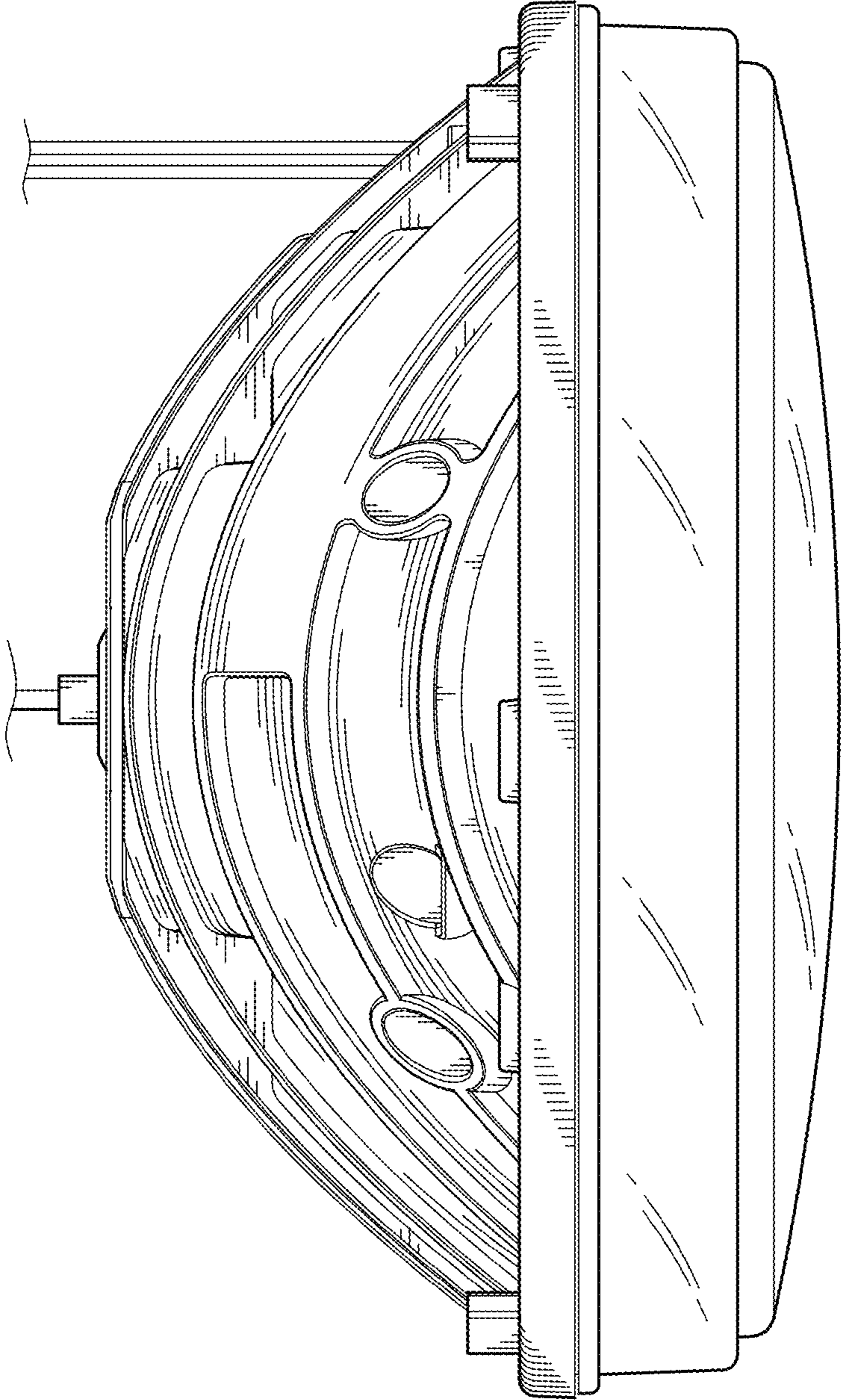


FIG.4

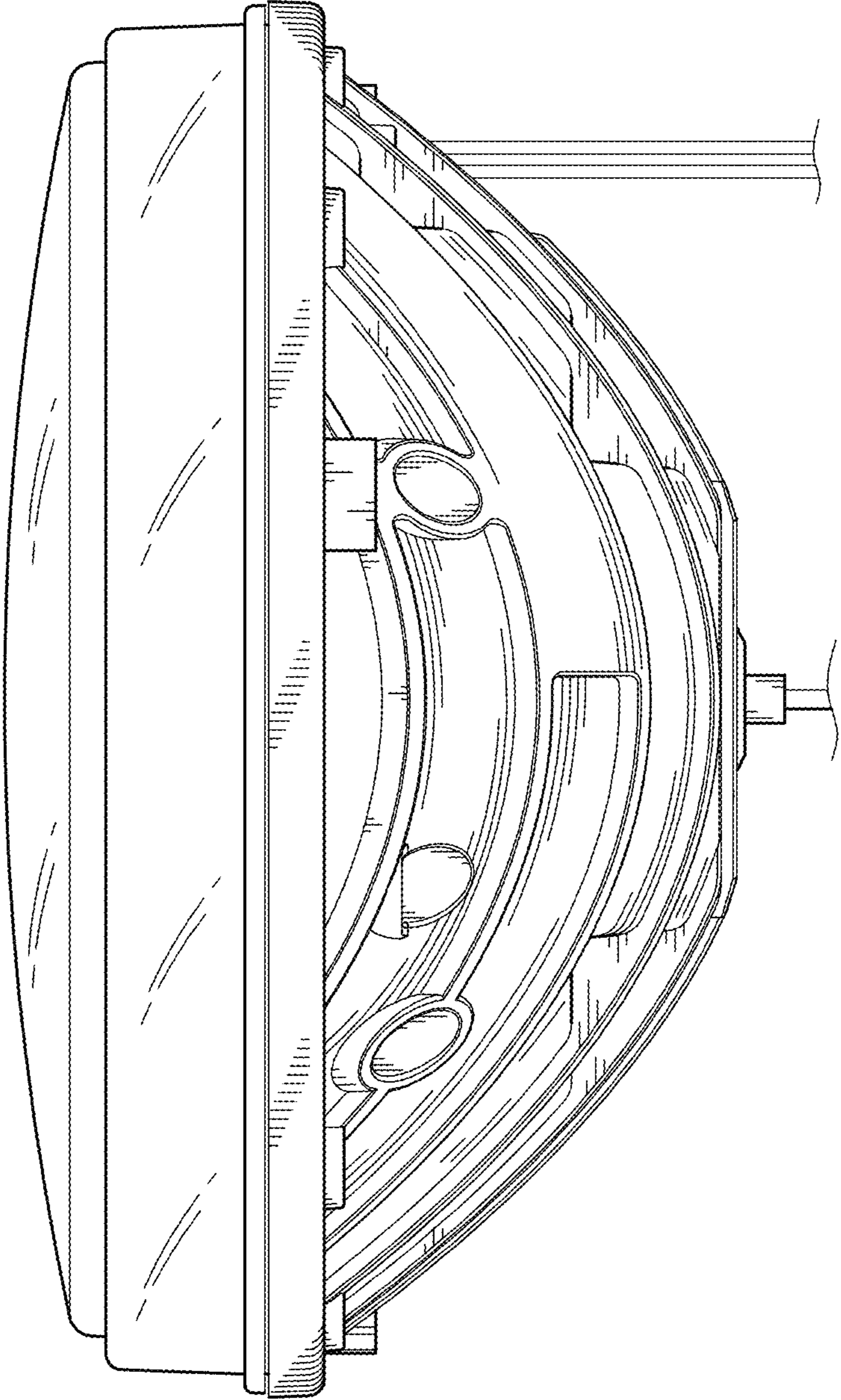


FIG.5

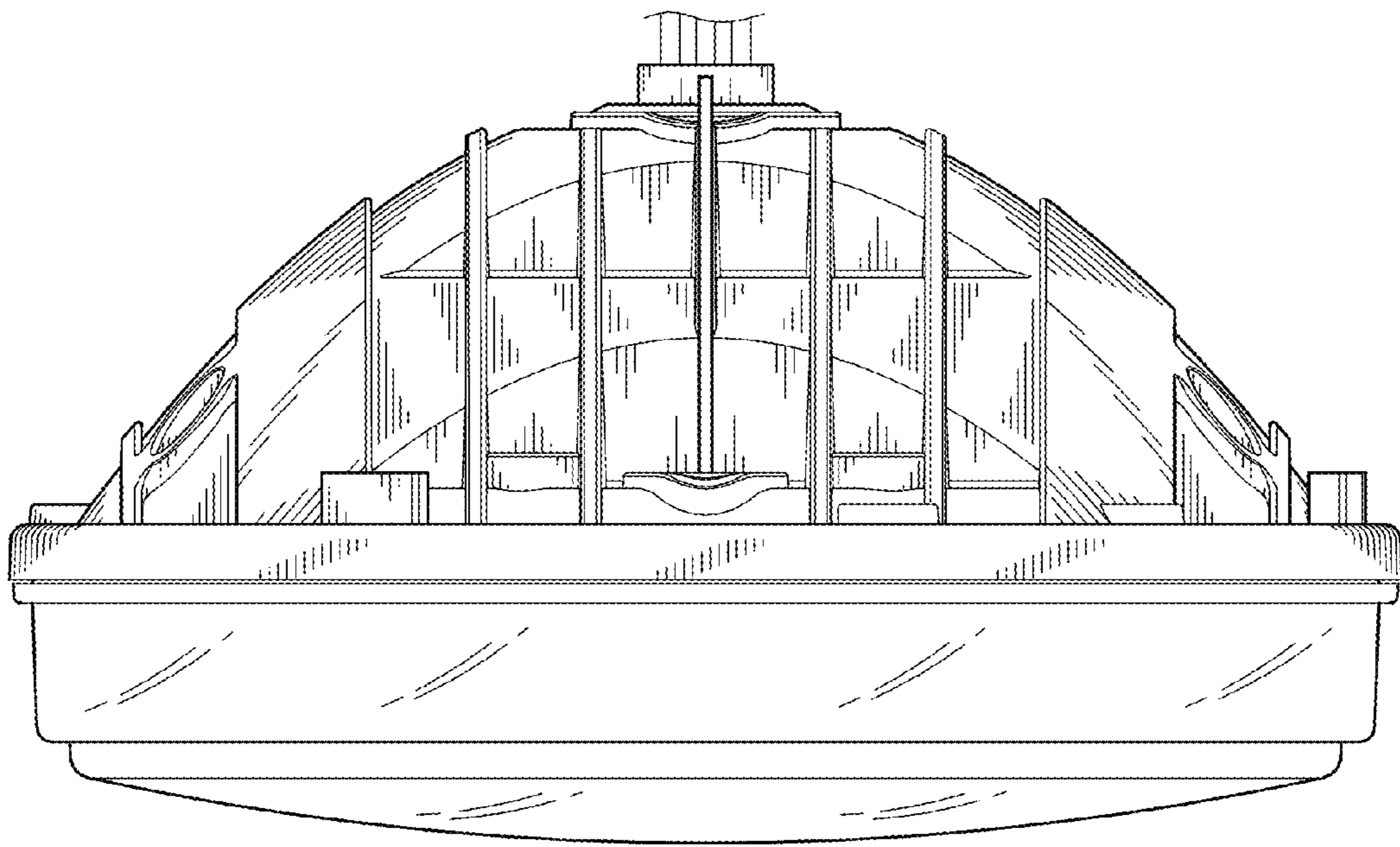


FIG.6

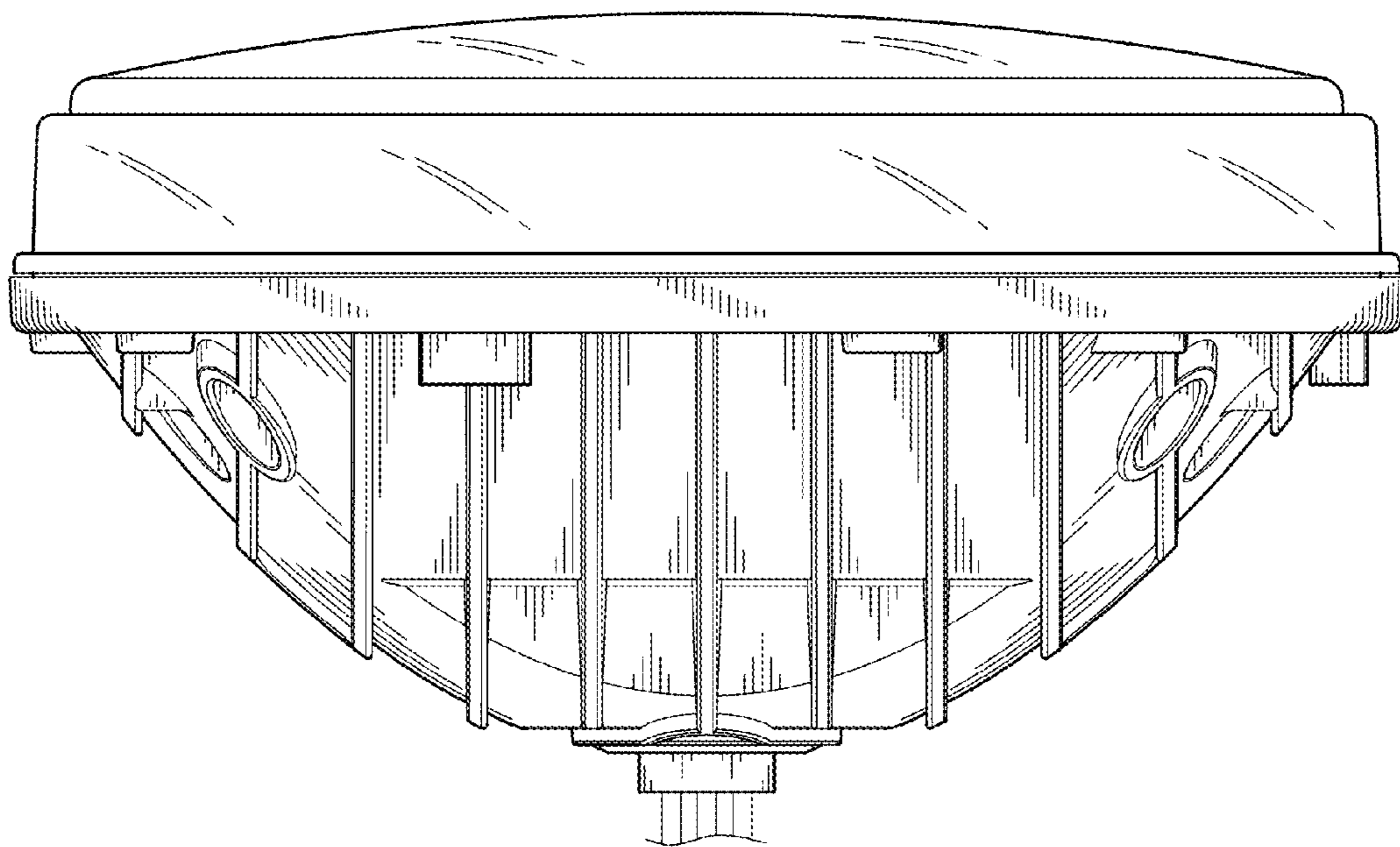


FIG.7



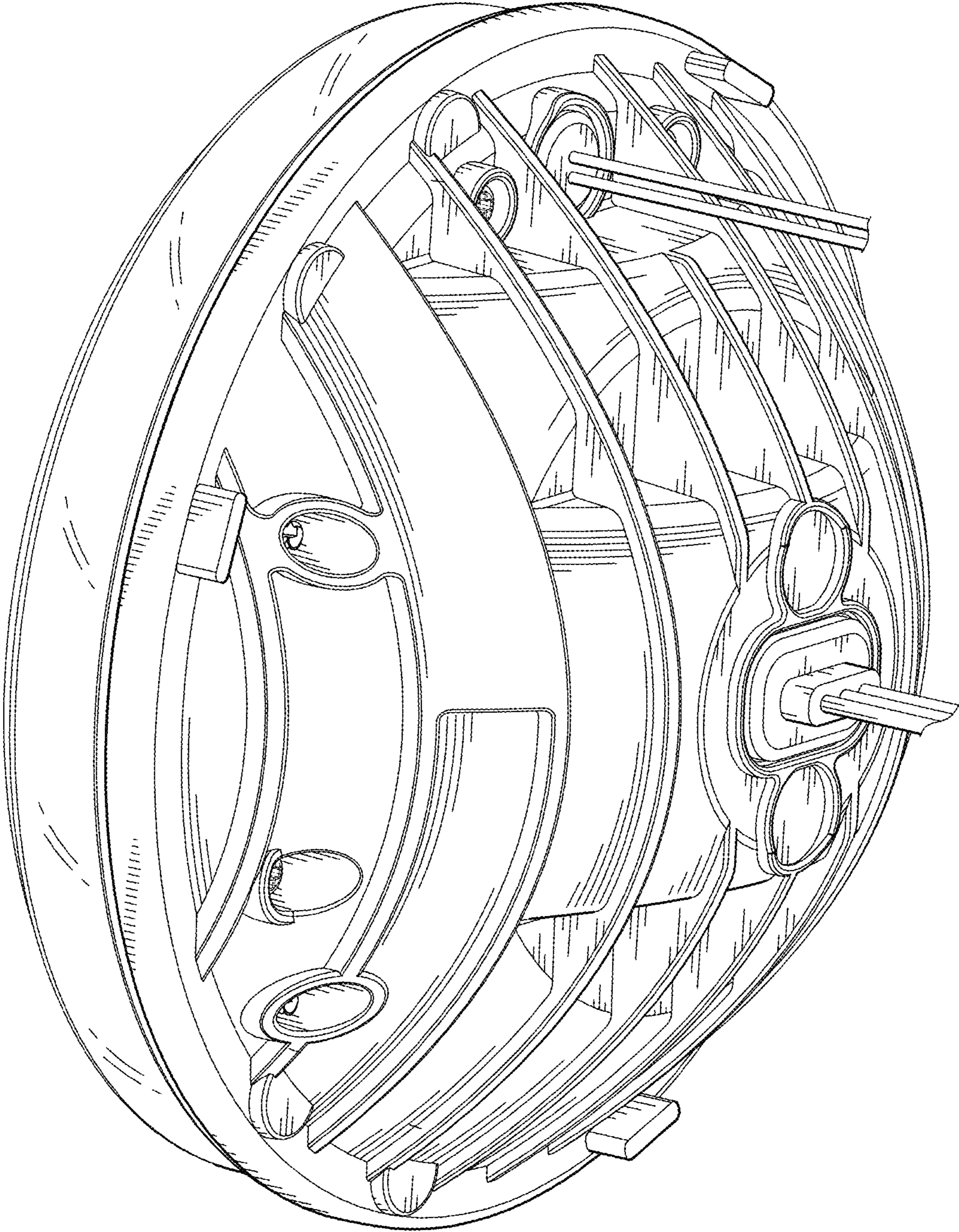


FIG.8