



US00D760406S

(12) **United States Design Patent**  
**Huang**

(10) **Patent No.:** **US D760,406 S**  
(45) **Date of Patent:** **\*\* Jun. 28, 2016**

(54) **VEHICLE LAMP**

(71) Applicant: **Sirius Light Technology Co., Ltd.**,  
Tainan (TW)

(72) Inventor: **Cheng-Nan Huang**, Tainan (TW)

(73) Assignee: **SIRIUS LIGHT TECHNOLOGY CO., LTD.**, Tainan (TW)

(\*\*) Term: **14 Years**

(21) Appl. No.: **29/518,253**

(22) Filed: **Feb. 20, 2015**

(30) **Foreign Application Priority Data**

Jan. 19, 2015 (TW) ..... 104300254D01

(51) **LOC (10) Cl.** ..... **26-06**

(52) **U.S. Cl.**  
USPC ..... **D26/28**

(58) **Field of Classification Search**  
USPC ..... D26/28-36; 362/459-468, 475-478,  
362/485-487  
CPC ..... F21S 48/00; F21S 48/10; F21S 48/115;  
F21S 48/225; F21S 48/1233; F21S 48/1266;  
F21S 48/1388; F21S 48/2268; F21V 21/04  
See application file for complete search history.

(56) **References Cited**

U.S. PATENT DOCUMENTS

D506,842 S *	6/2005	Nagura	.....	D26/28
D524,566 S *	7/2006	Lowsky	.....	D6/370
D529,208 S *	9/2006	Ikeda	.....	D26/28
D538,954 S *	3/2007	Pfeiffer	.....	D26/28
D542,442 S *	5/2007	Matsunami	.....	D26/28
D552,768 S *	10/2007	Leclercq	.....	D26/28
D570,007 S *	5/2008	Hsu	.....	D26/28

\* cited by examiner

*Primary Examiner* — Marcus Jackson

(74) *Attorney, Agent, or Firm* — DLA Piper LLP (US)

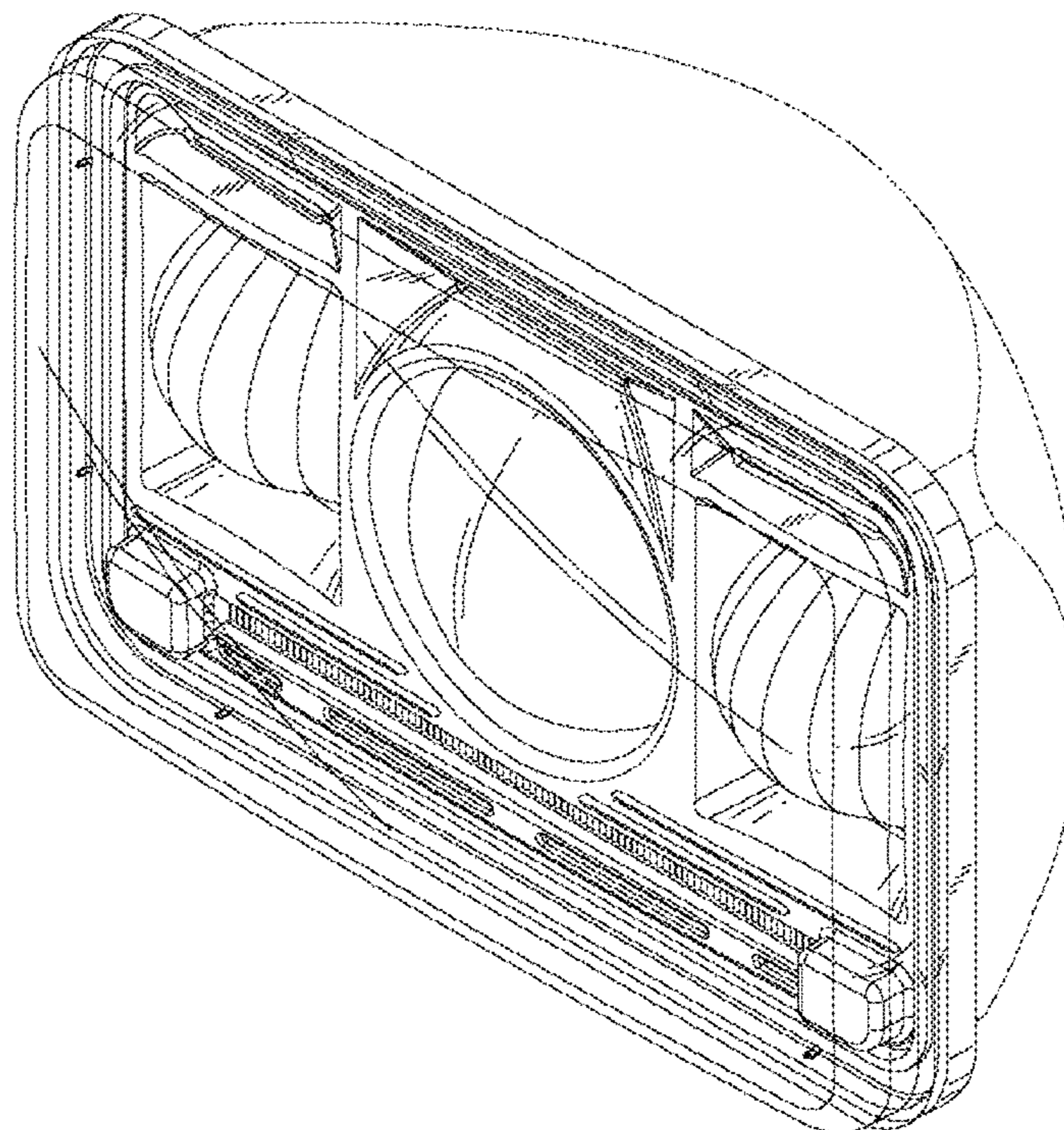
(57) **CLAIM**

The ornamental design for a vehicle lamp, as shown and described.

**DESCRIPTION**

FIG. 1 is a perspective view of the vehicle lamp showing my new design;  
FIG. 2 is a front elevational view thereof;  
FIG. 3 is a rear elevational view thereof;  
FIG. 4 is a left side elevational view thereof;  
FIG. 5 is a right side elevational view thereof;  
FIG. 6 is a top plan view thereof; and,  
FIG. 7 is a bottom plan view thereof.  
The broken lines are for illustrating portions of the article only and form no part of the claimed design.

**1 Claim, 6 Drawing Sheets**



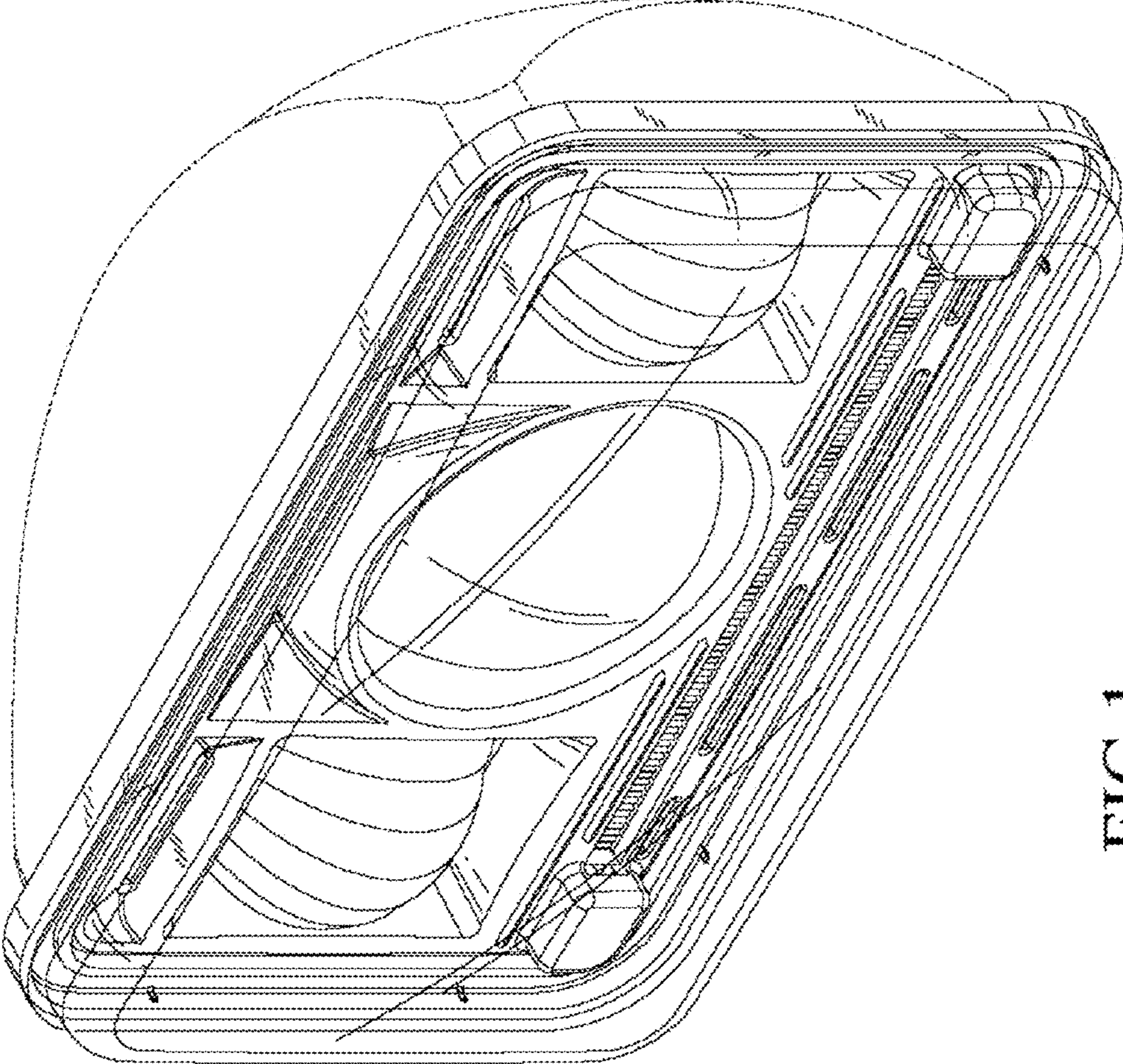


FIG.1



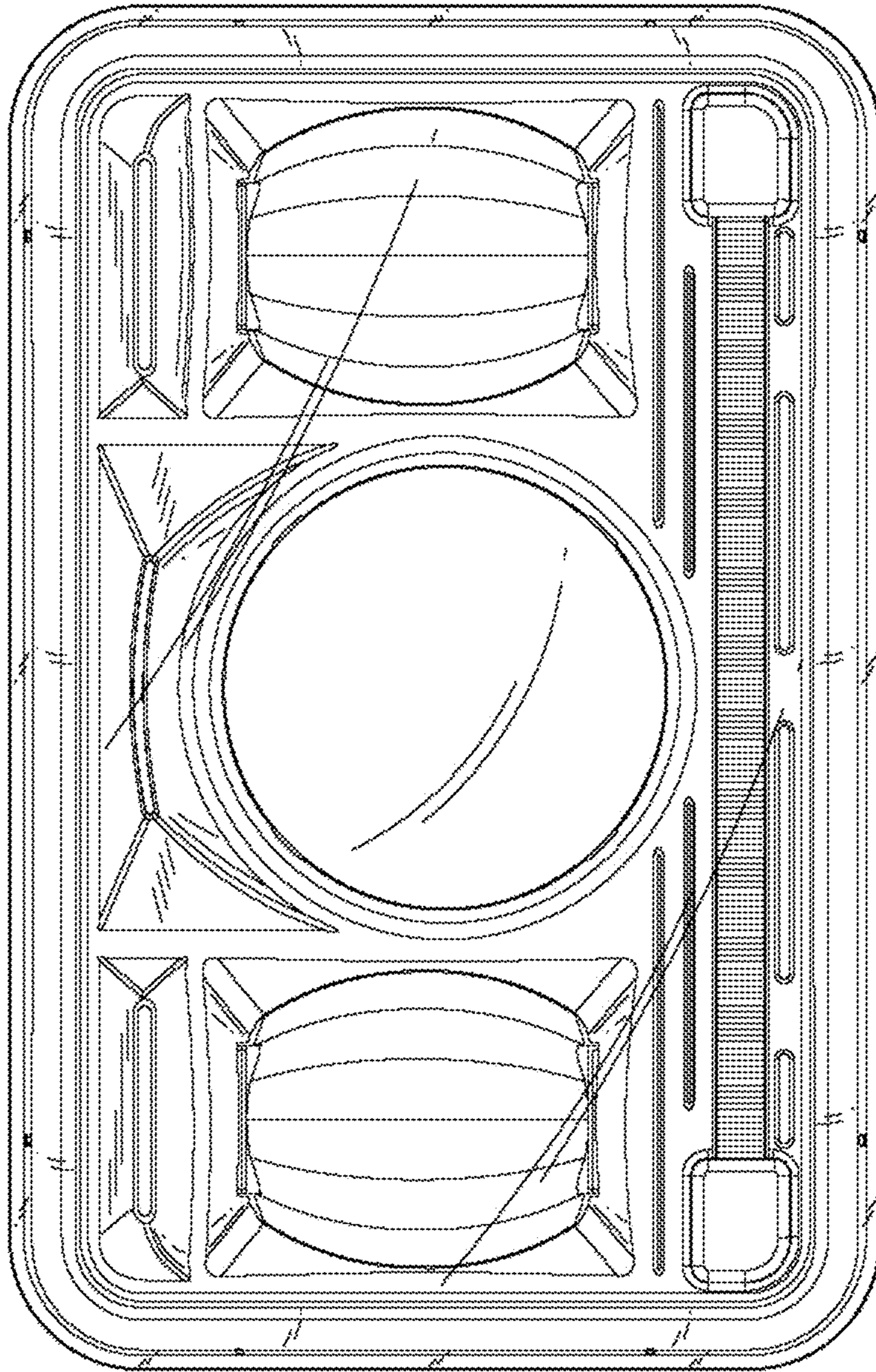


FIG.2

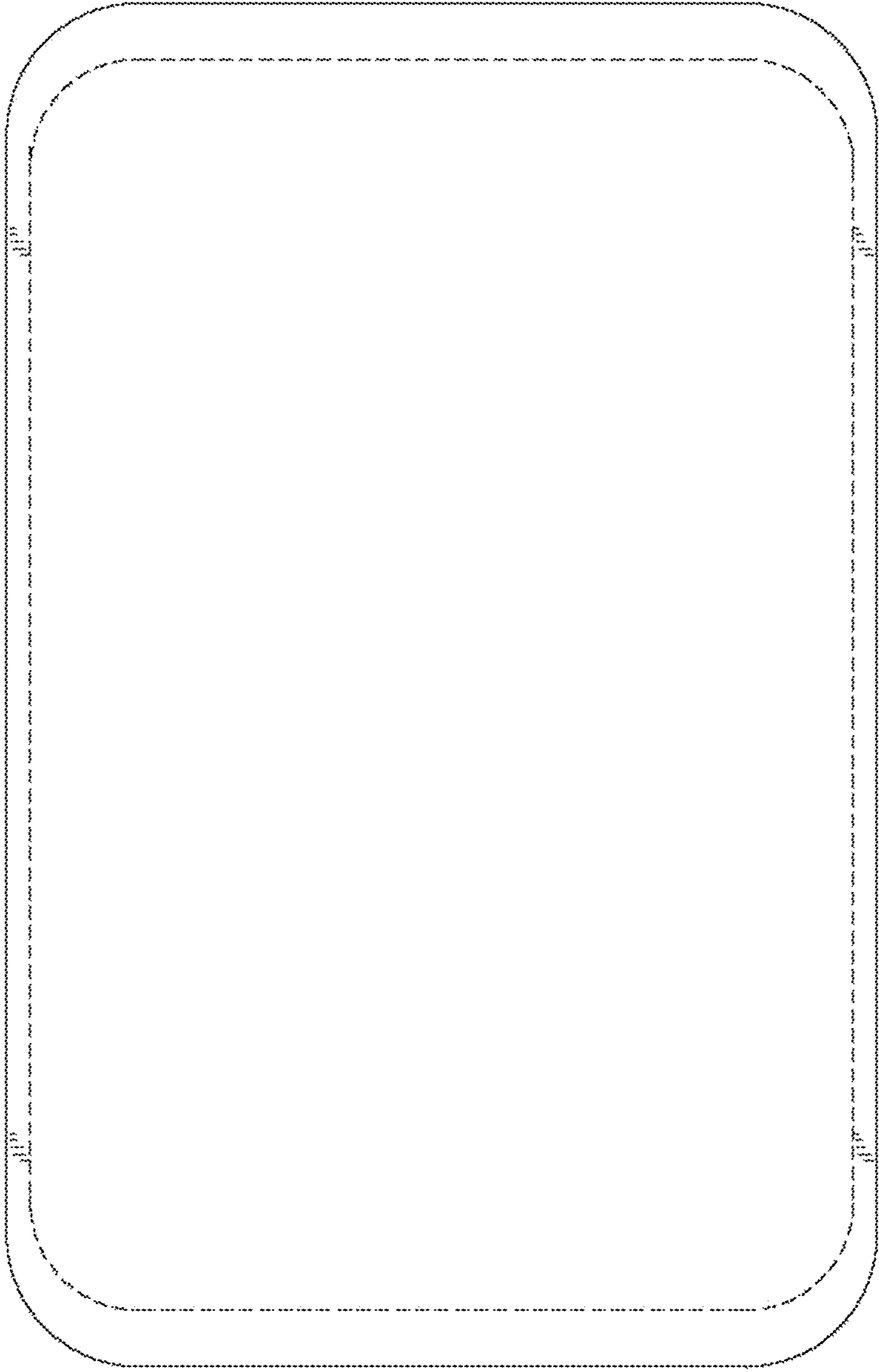


FIG.3

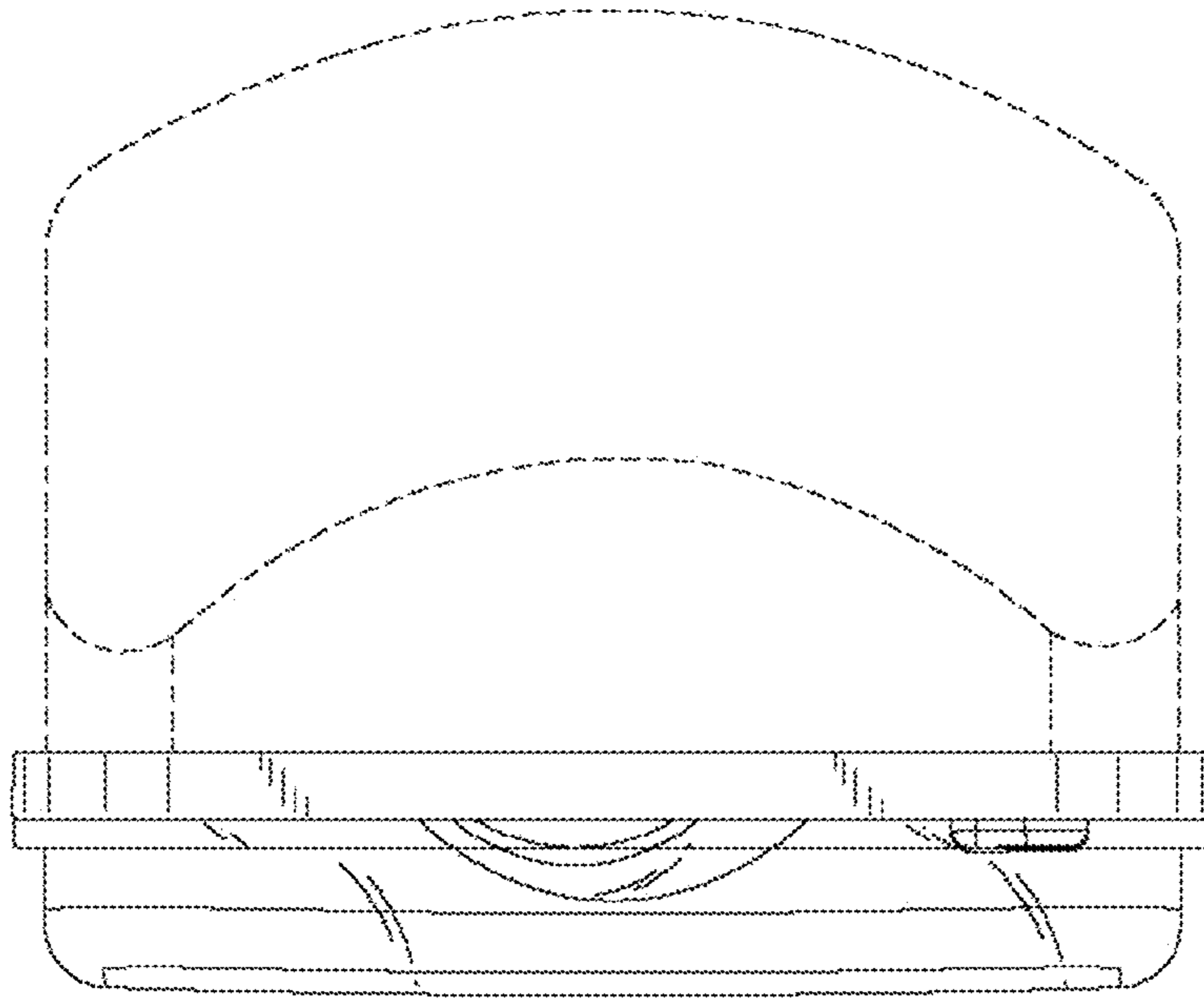


FIG.5

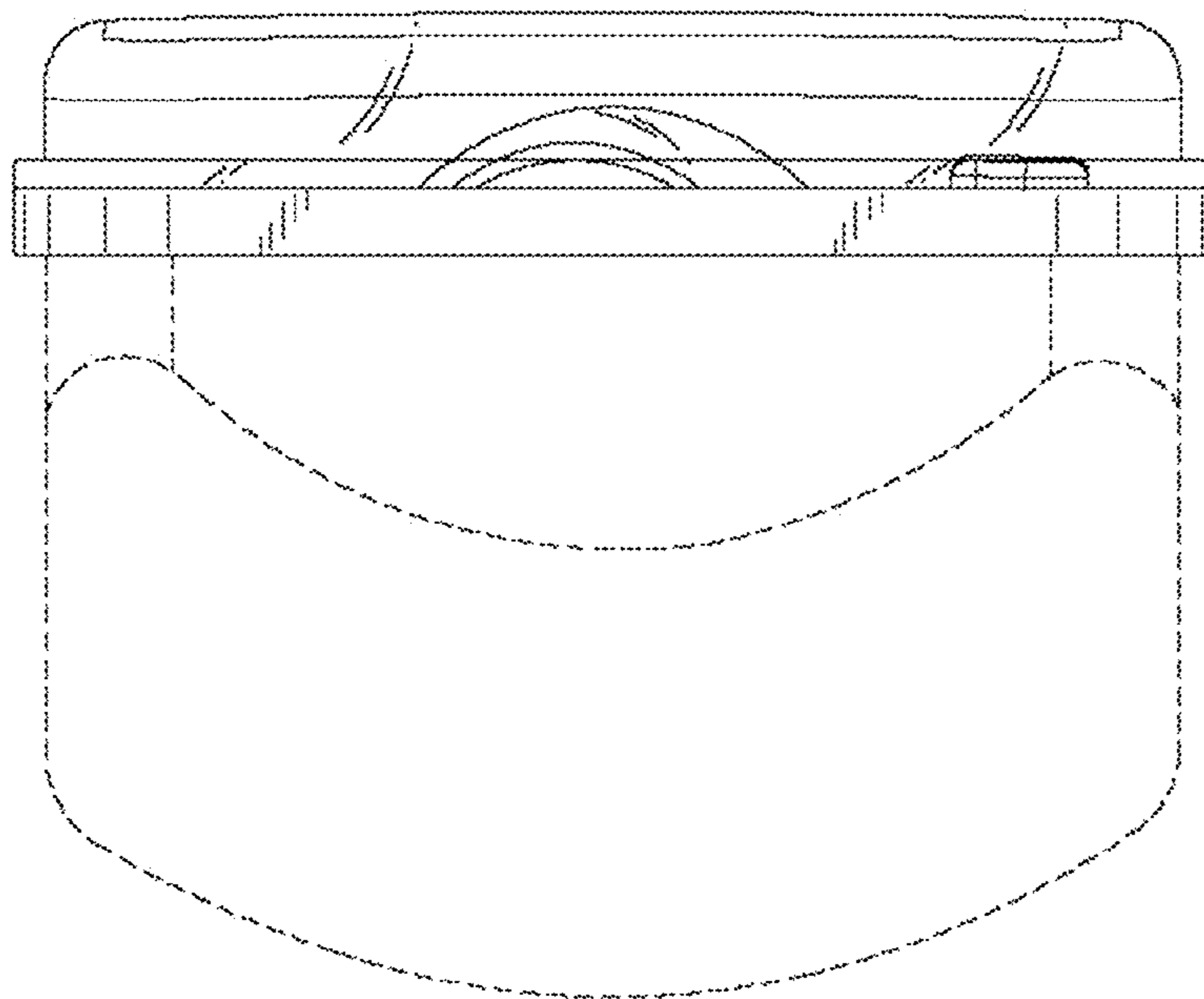


FIG.4

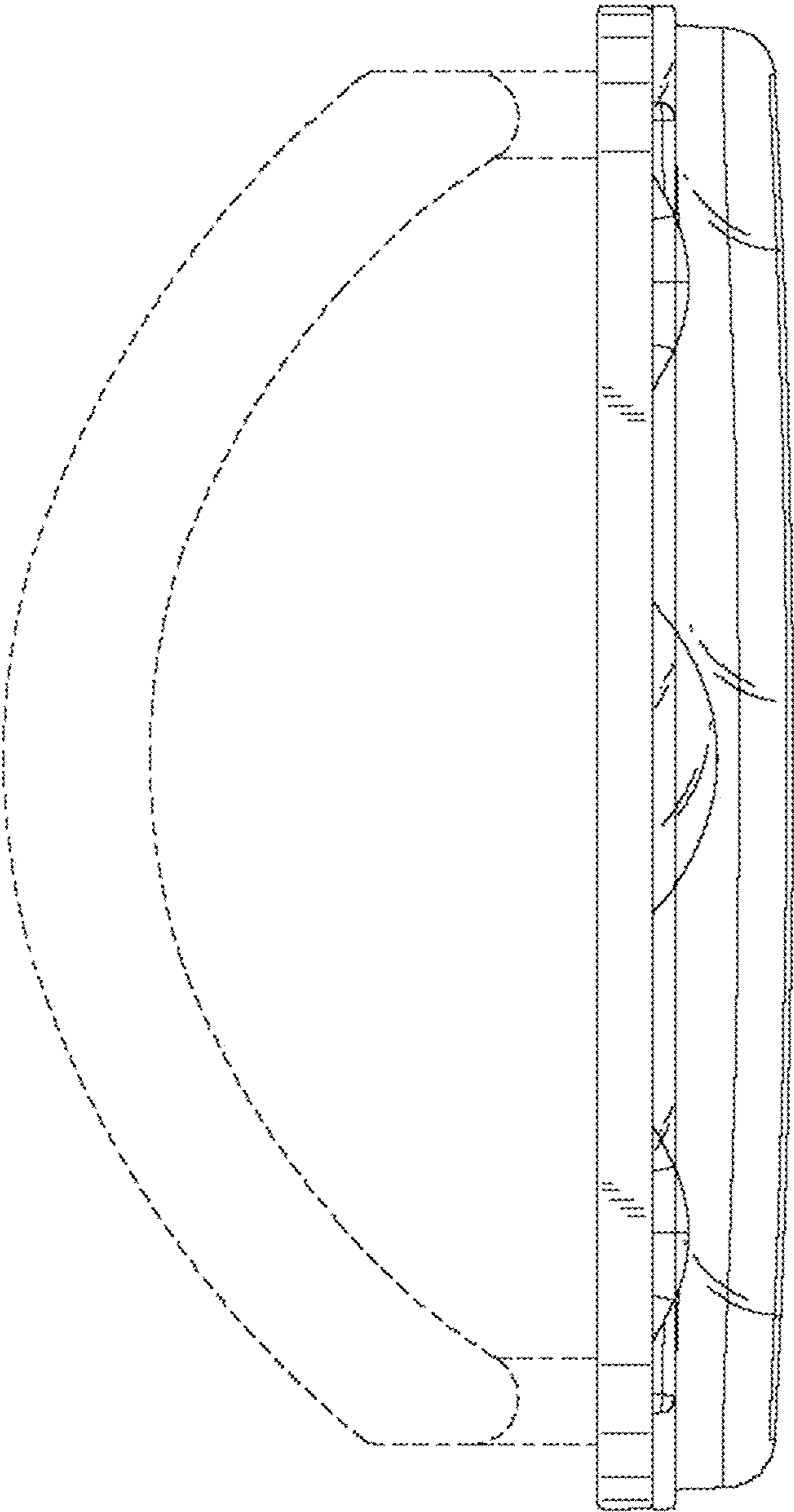


FIG.6



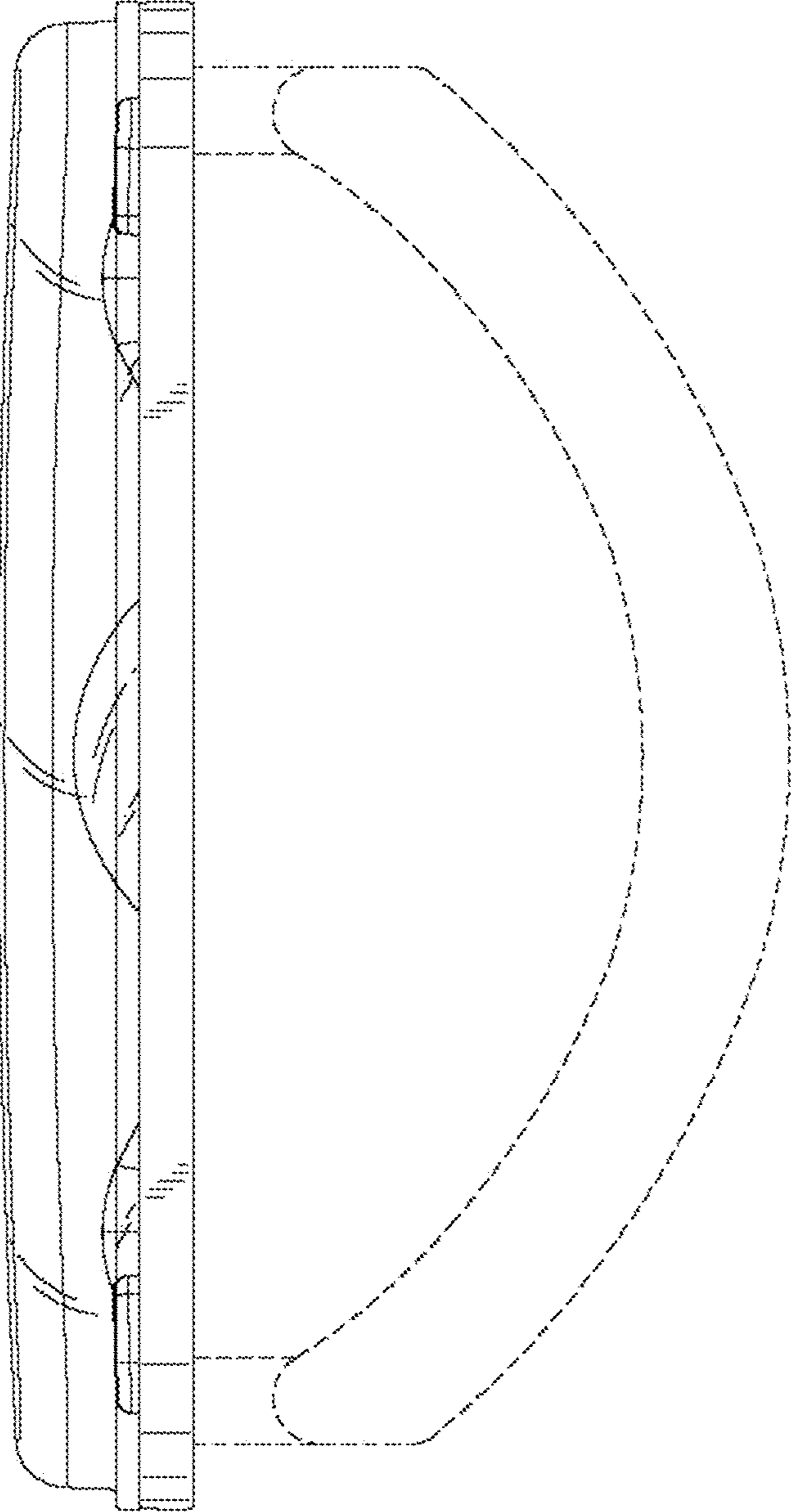


FIG.7