



US00D760405S

(12) **United States Design Patent**
Li

(10) **Patent No.:** **US D760,405 S**
(45) **Date of Patent:** **** Jun. 28, 2016**

(54) **ELECTRONIC LIGHT BULB WITH A MATRIX FLAME**

(71) Applicant: **Xiaofeng Li**, Shenzhen (CN)

(72) Inventor: **Xiaofeng Li**, Shenzhen (CN)

(**) Term: **14 Years**

(21) Appl. No.: **29/512,019**

(22) Filed: **Dec. 16, 2014**

(30) **Foreign Application Priority Data**

Nov. 20, 2014 (CN) 2014 3 0459275

(51) **LOC (10) Cl.** **26-06**

(52) **U.S. Cl.**
USPC **D26/2**

(58) **Field of Classification Search**
USPC D26/1-4; 313/313, 315, 316, 317, 318,
313/493; 315/52, 53, 56, 57, 58
CPC H01J 5/48; H01J 5/50; H01J 19/54;
F21V 5/00
See application file for complete search history.

(56) **References Cited**

U.S. PATENT DOCUMENTS

1,507,371 A 9/1924 Goodridge
D437,645 S * 2/2001 Sung D26/2

(Continued)

OTHER PUBLICATIONS

U.S. Appl. No. 29/512,307, filed Dec. 18, 2014, Li, Design Application.

(Continued)

Primary Examiner — Marcus Jackson

(74) *Attorney, Agent, or Firm* — Perkins Coie LLP

(57) **CLAIM**

The ornamental design for an electronic light bulb with a matrix flame, as shown and described.

DESCRIPTION

FIG. 1 is a front view of the electronic light bulb of the present disclosure;

FIG. 2 is a rear view of the electronic light bulb of FIG. 1;

FIG. 3 is a right side view of the electronic light bulb of FIG. 1;

FIG. 4 is a left side view of the electronic light bulb of FIG. 1;

FIG. 5 is top view of the electronic light bulb of FIG. 1;

FIG. 6 is a bottom view of the electronic light bulb of FIG. 1;

FIG. 7 is a perspective view of the top of the electronic light bulb of FIG. 1;

FIG. 8 is a perspective view of the bottom of the electronic light bulb of FIG. 1;

FIG. 9 is a front elevational view of a second embodiment of an electronic light bulb with a matrix flame showing my new design thereof;

FIG. 10 is a rear view of the electronic light bulb of FIG. 9;

FIG. 11 is a right side view of the electronic light bulb of FIG. 9;

FIG. 12 is a left side view of the electronic light bulb of FIG. 9;

FIG. 13 is a top view of the electronic light bulb of FIG. 9;

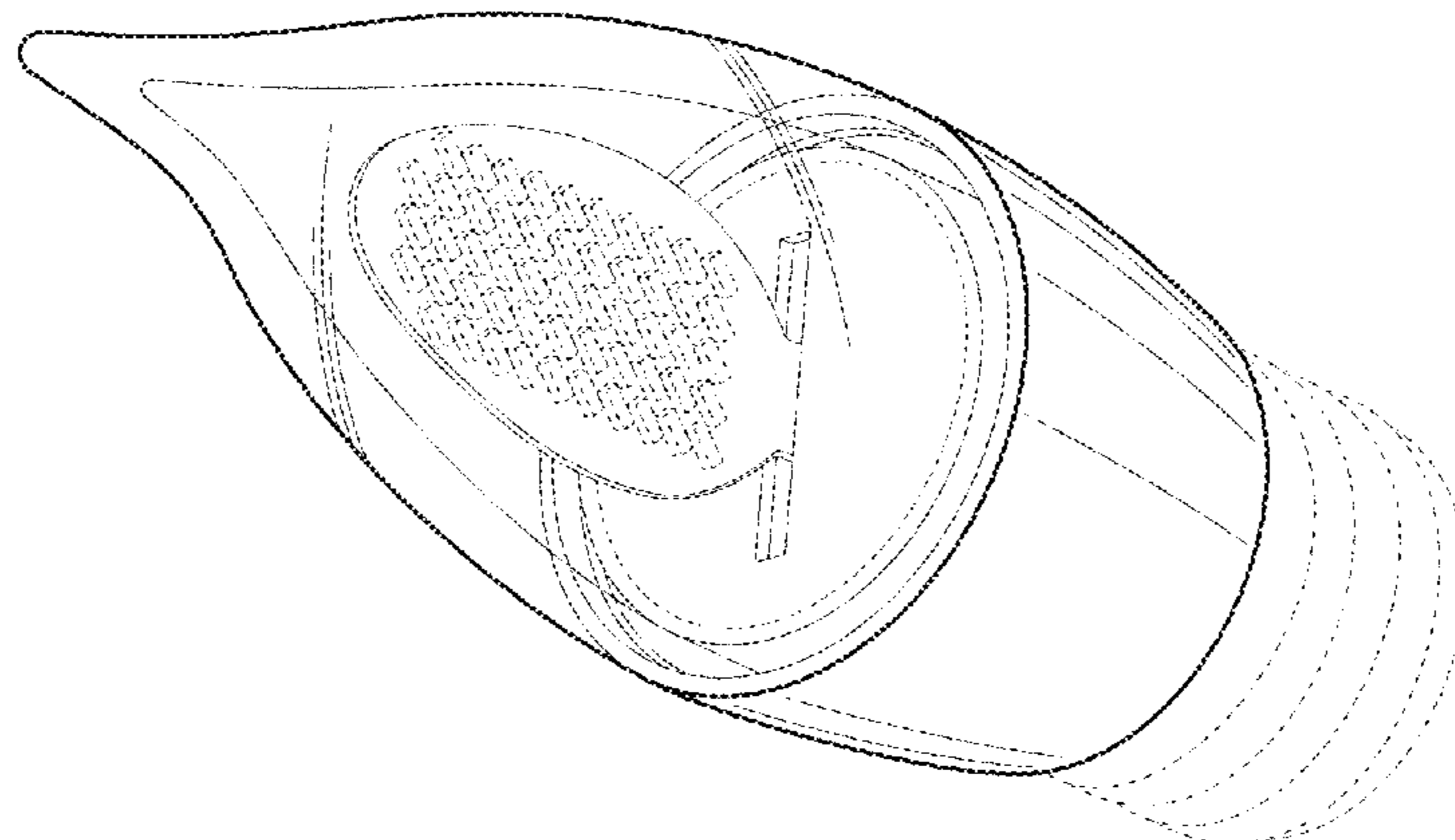
FIG. 14 is a bottom view of the electronic light bulb of FIG. 9;

FIG. 15 is a perspective view of the top of the electronic light bulb of FIG. 9; and,

FIG. 16 is a perspective view of the bottom of the electronic light bulb of FIG. 9.

The broken lines of FIGS. 1-16 are provided for purposes of illustration and form no part of the claimed design of the present application. However, the broken lines are intended to provide explicit disclosure as to presently unclaimed portions of the design, and Applicant reserves the right to pursue and claim such other presently unclaimed portions in one or more continuation applications.

1 Claim, 14 Drawing Sheets



(56)

References Cited

U.S. PATENT DOCUMENTS

6,198,229 B1 3/2001 McCloud et al.
D456,913 S * 5/2002 Liu D26/2
D469,548 S * 1/2003 Bobel D26/2
D471,293 S * 3/2003 Bobel D26/2
D543,288 S * 5/2007 Bembridge D26/2
2005/0007779 A1 1/2005 Nozawa et al.
2005/0169812 A1 8/2005 Helf et al.
2005/0196716 A1 9/2005 Haab et al.
2013/0163249 A1 6/2013 Miura
2014/0211499 A1 7/2014 Fong et al.
2014/0254148 A1 9/2014 Fournier

2014/0268704 A1 9/2014 Yang
2014/0313694 A1 10/2014 Patton et al.
2015/0036348 A1 2/2015 Dong

OTHER PUBLICATIONS

U.S. Appl. No. 29/512,312, filed Dec. 18, 2014, Li, Design Application.
U.S. Appl. No. 29/516,626, filed Feb. 4, 2014, Li, Design Application.
U.S. Appl. No. 29/516,629, filed Feb. 15, 2014, Li, Design Application.
U.S. Appl. No. 29/518,430, filed Feb. 24, 2014, Li, Design Application.

* cited by examiner

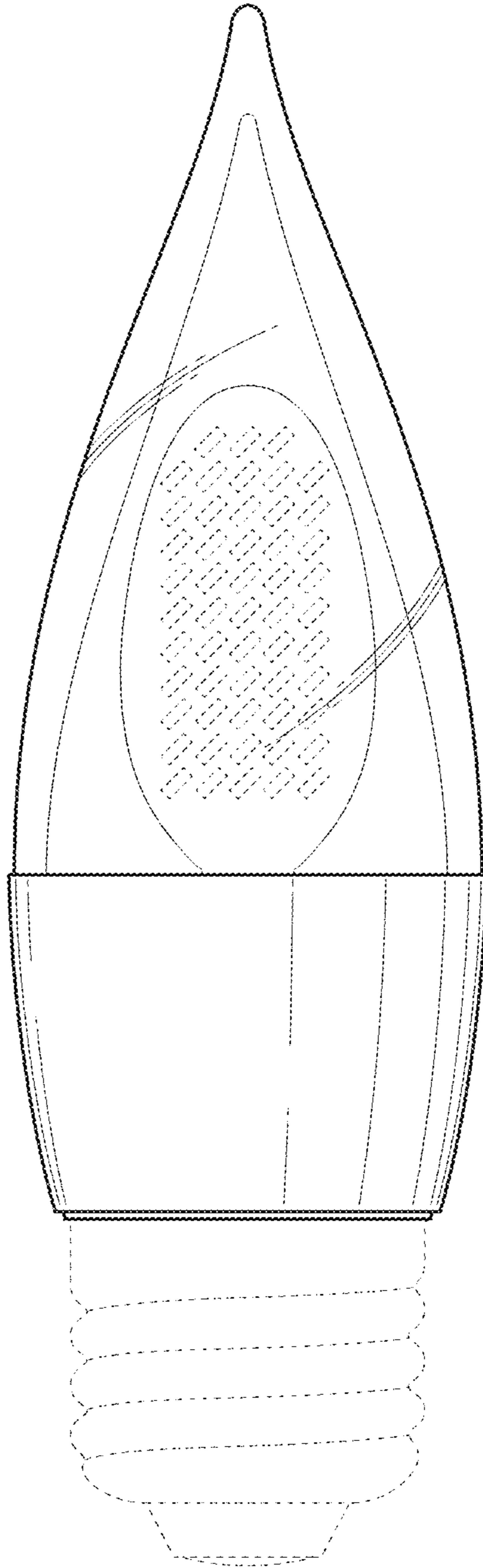


Fig. 1

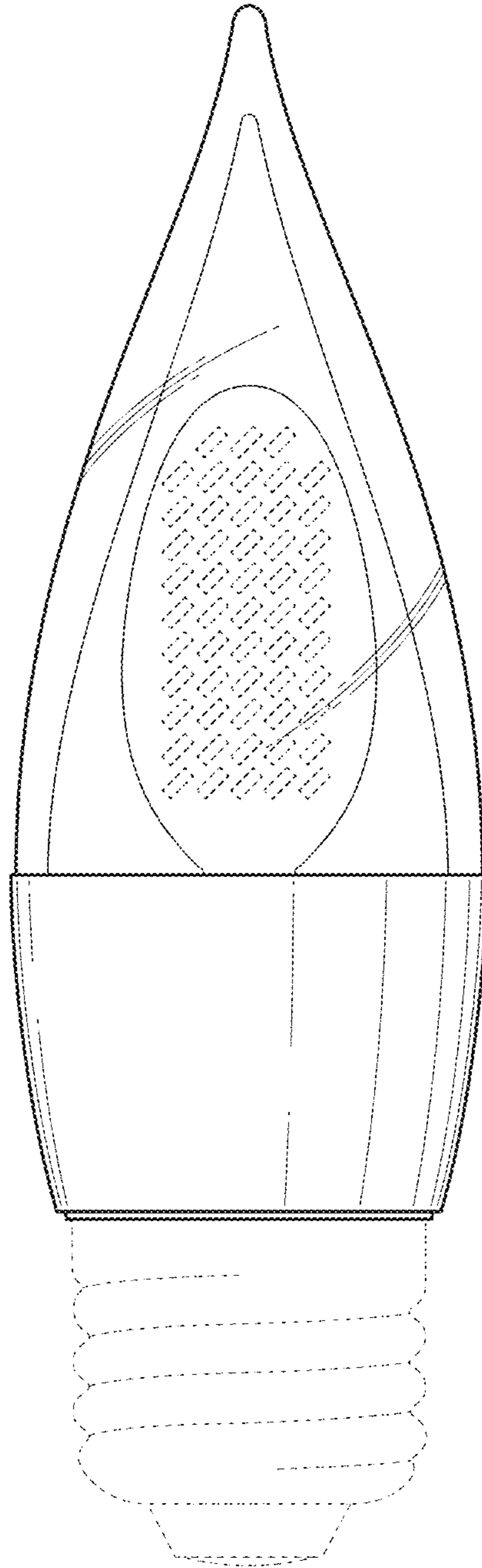


Fig. 2

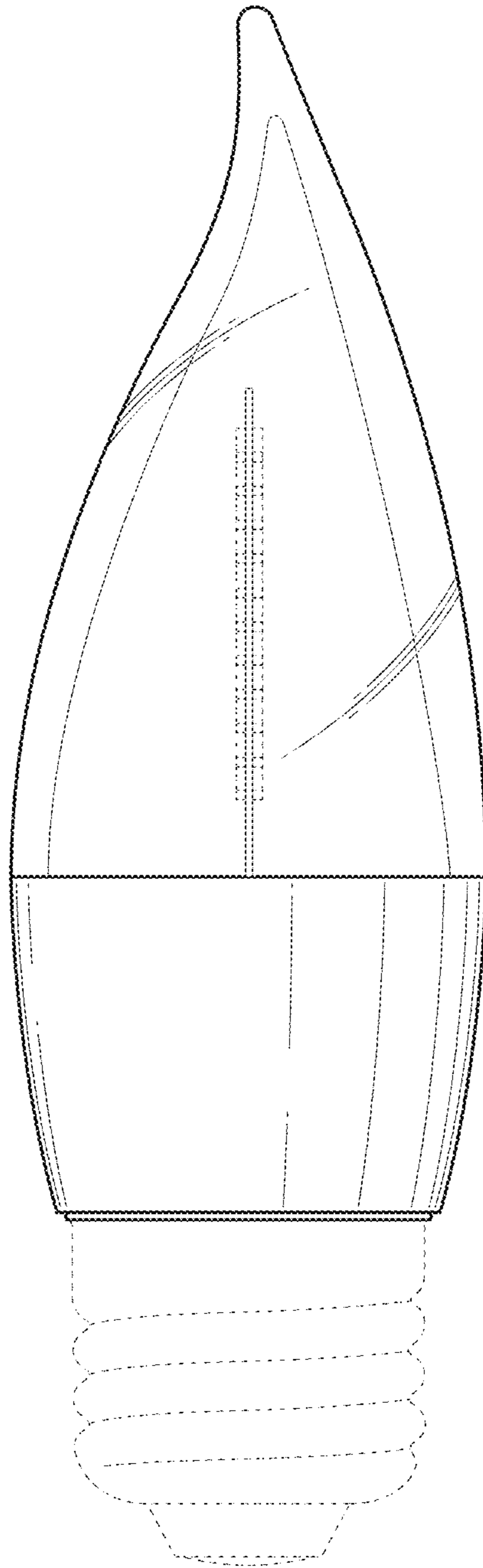


Fig. 3

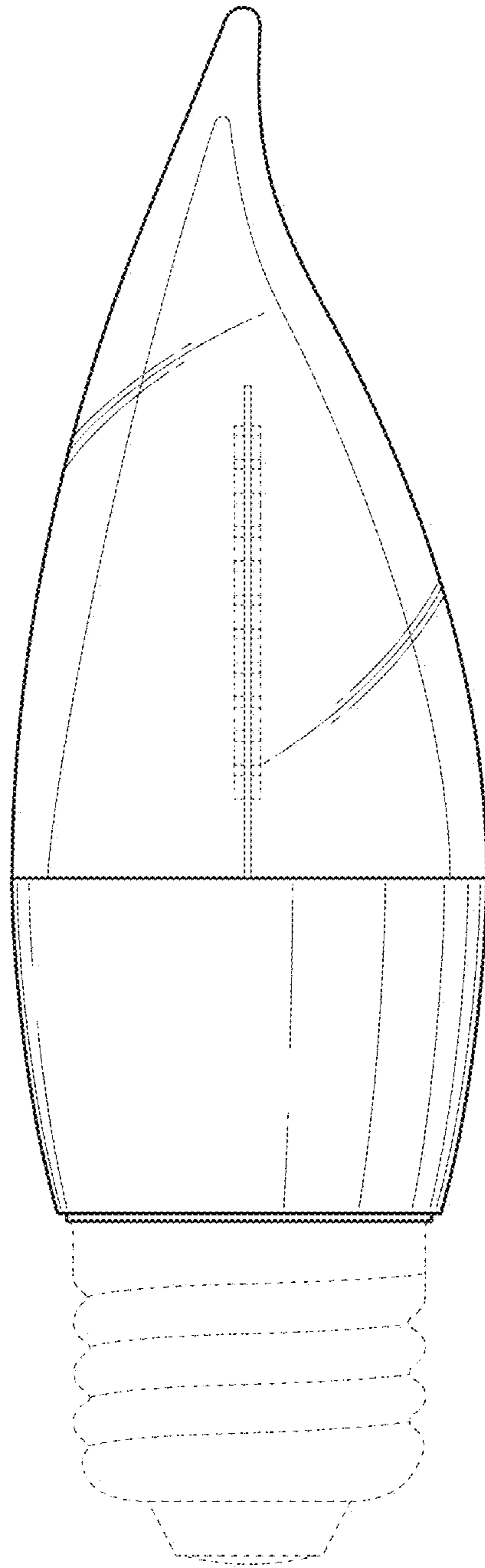


Fig. 4

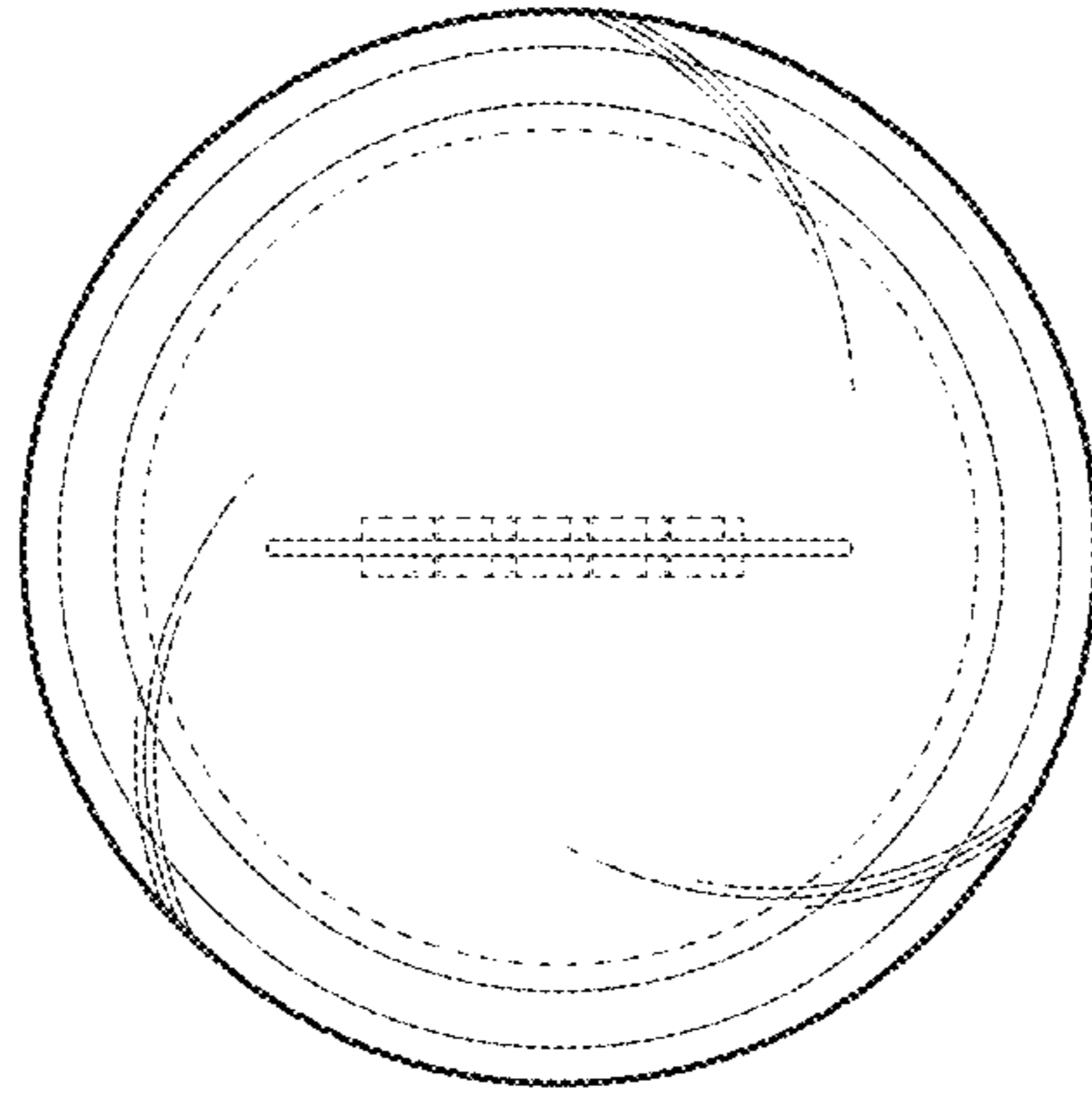


Fig. 5

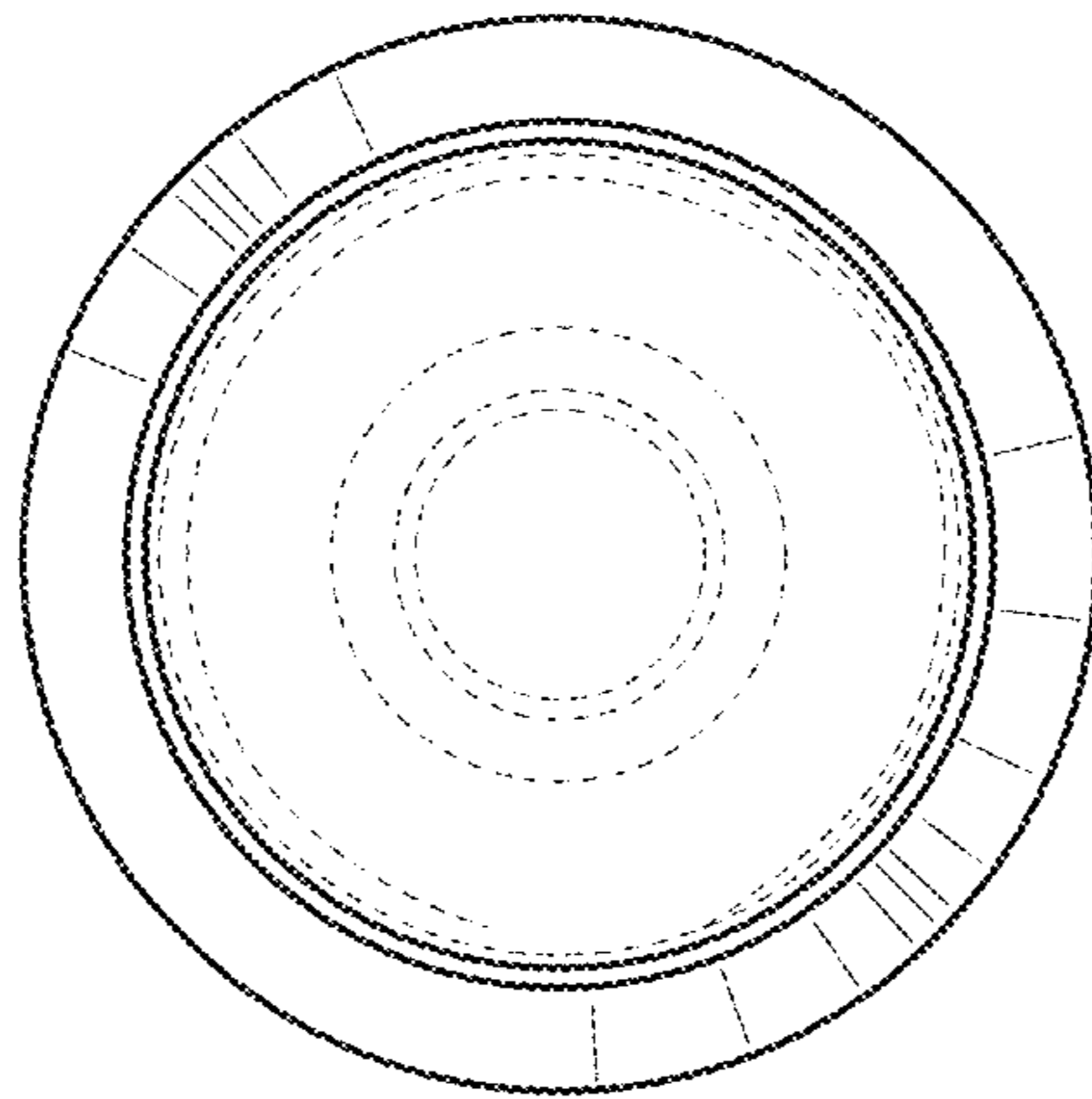


Fig. 6

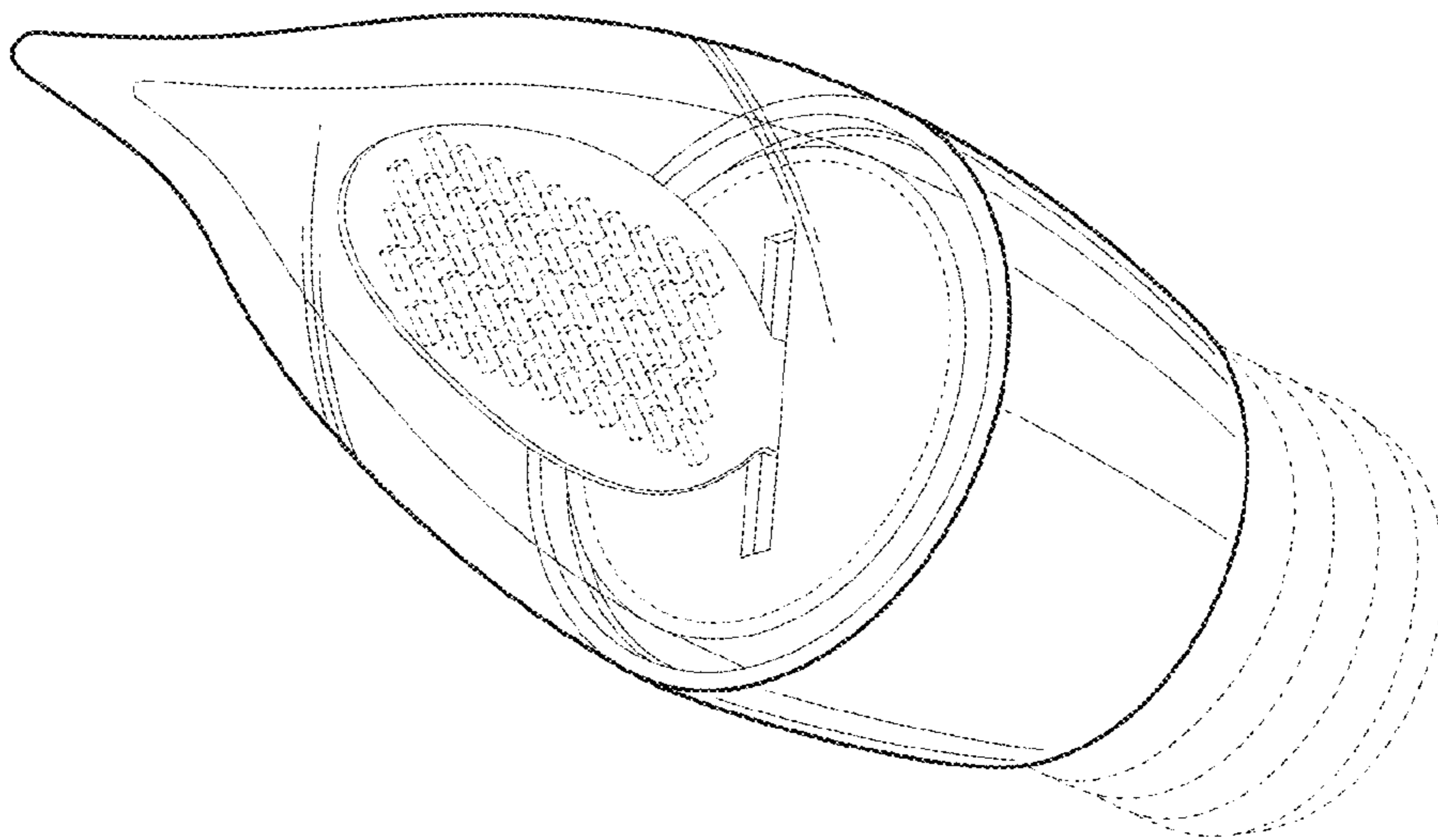


Fig. 7

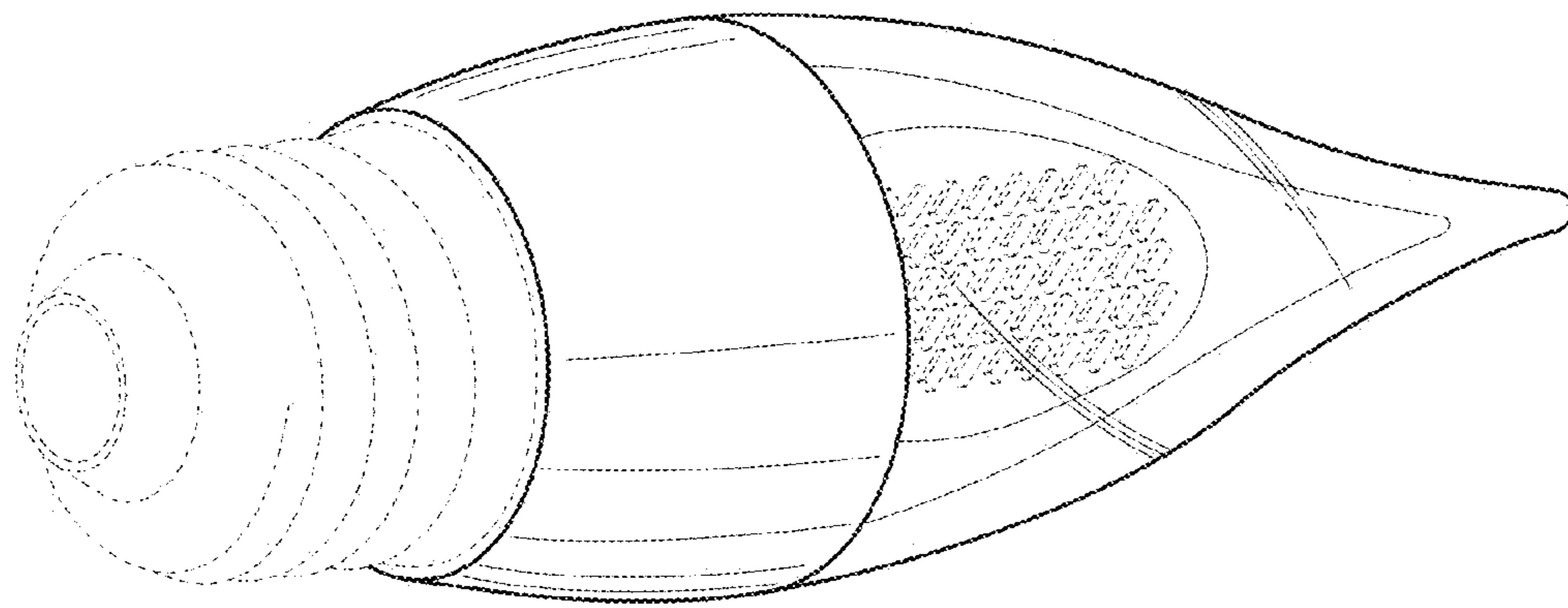


Fig. 8

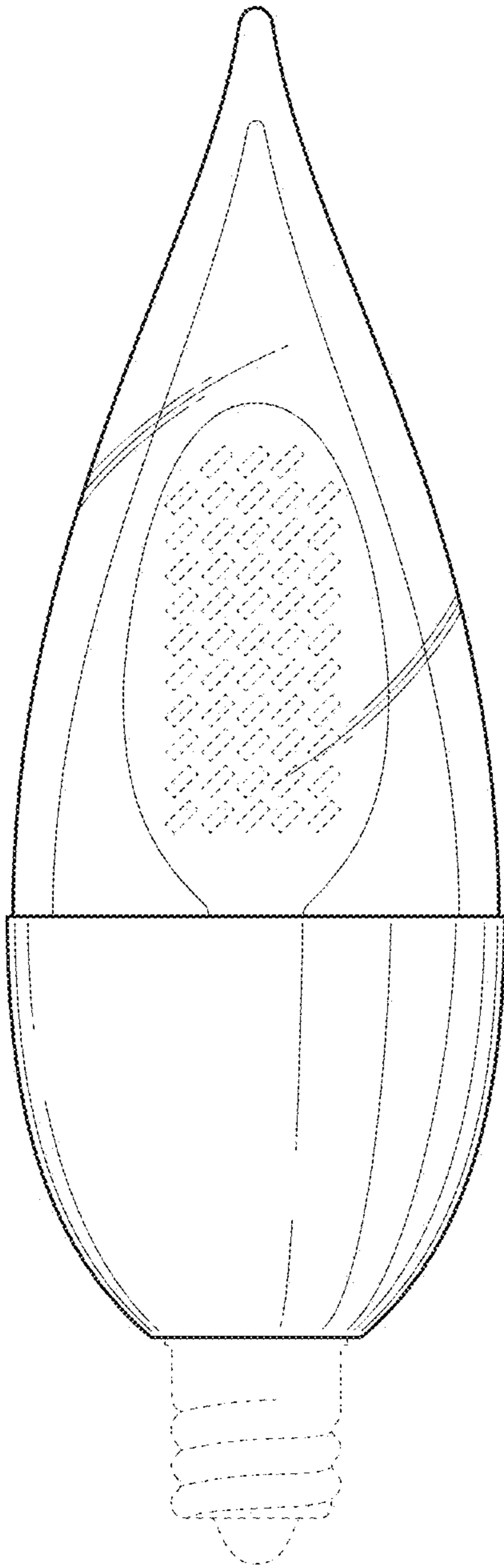


Fig. 9

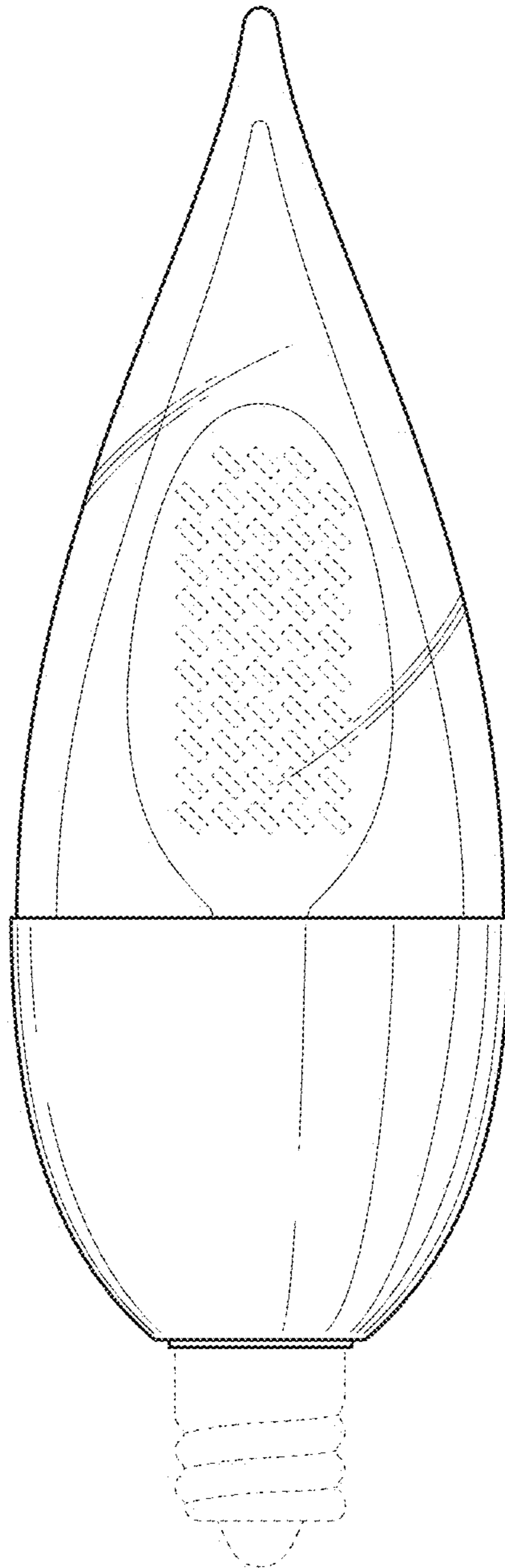


Fig. 10

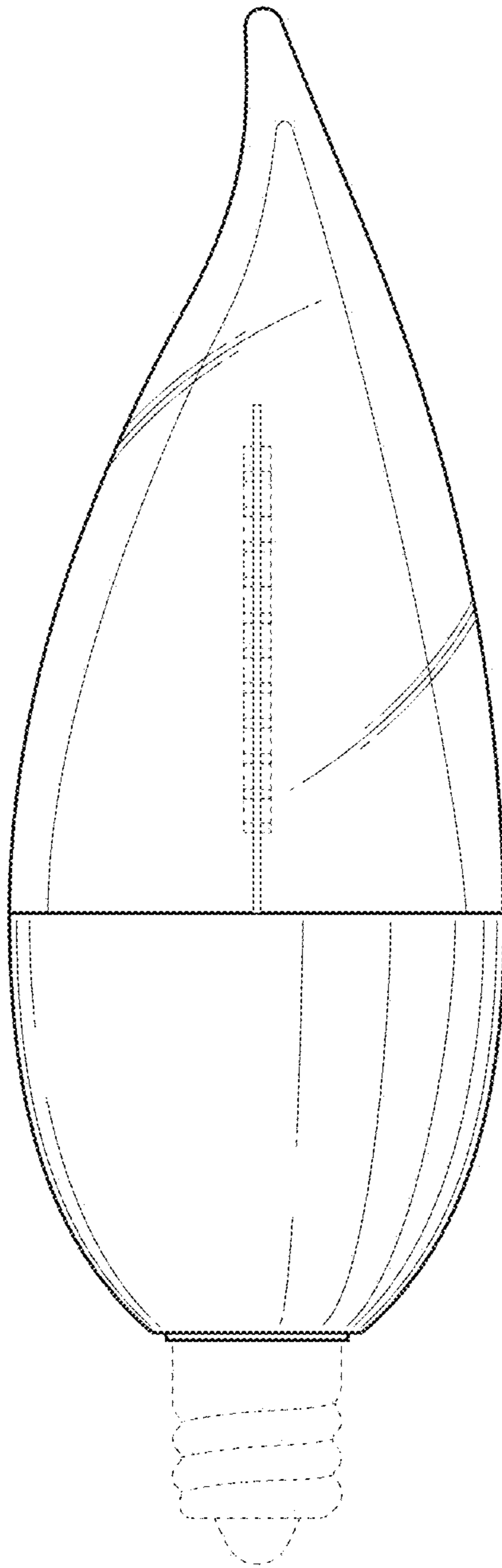


Fig. 11

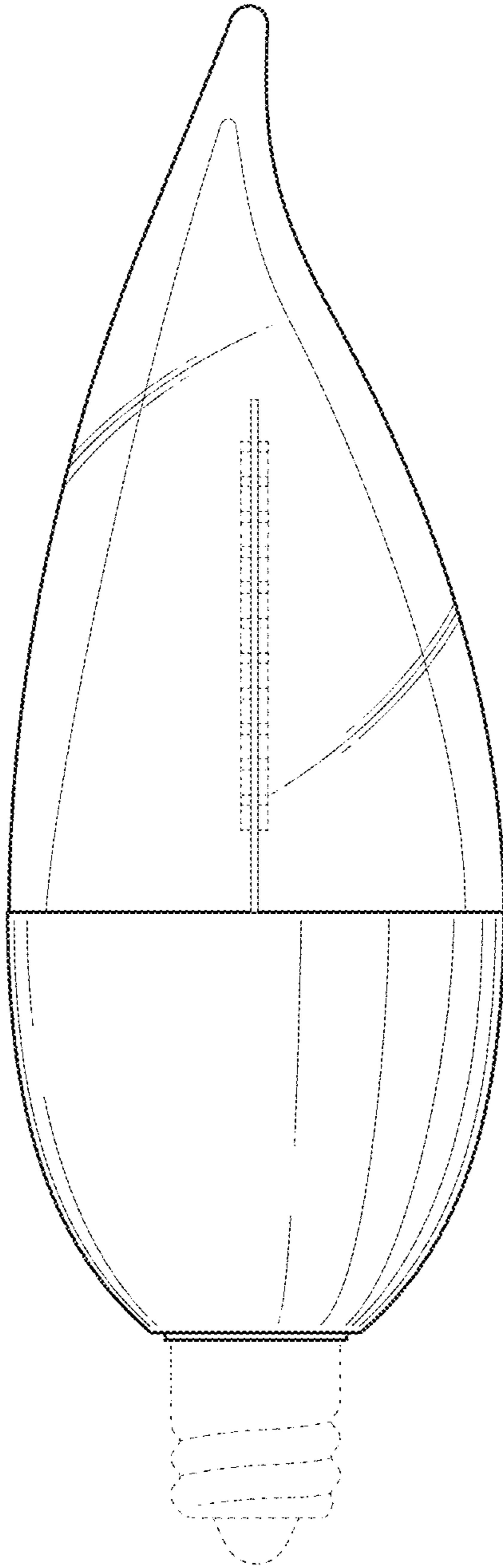


Fig. 12

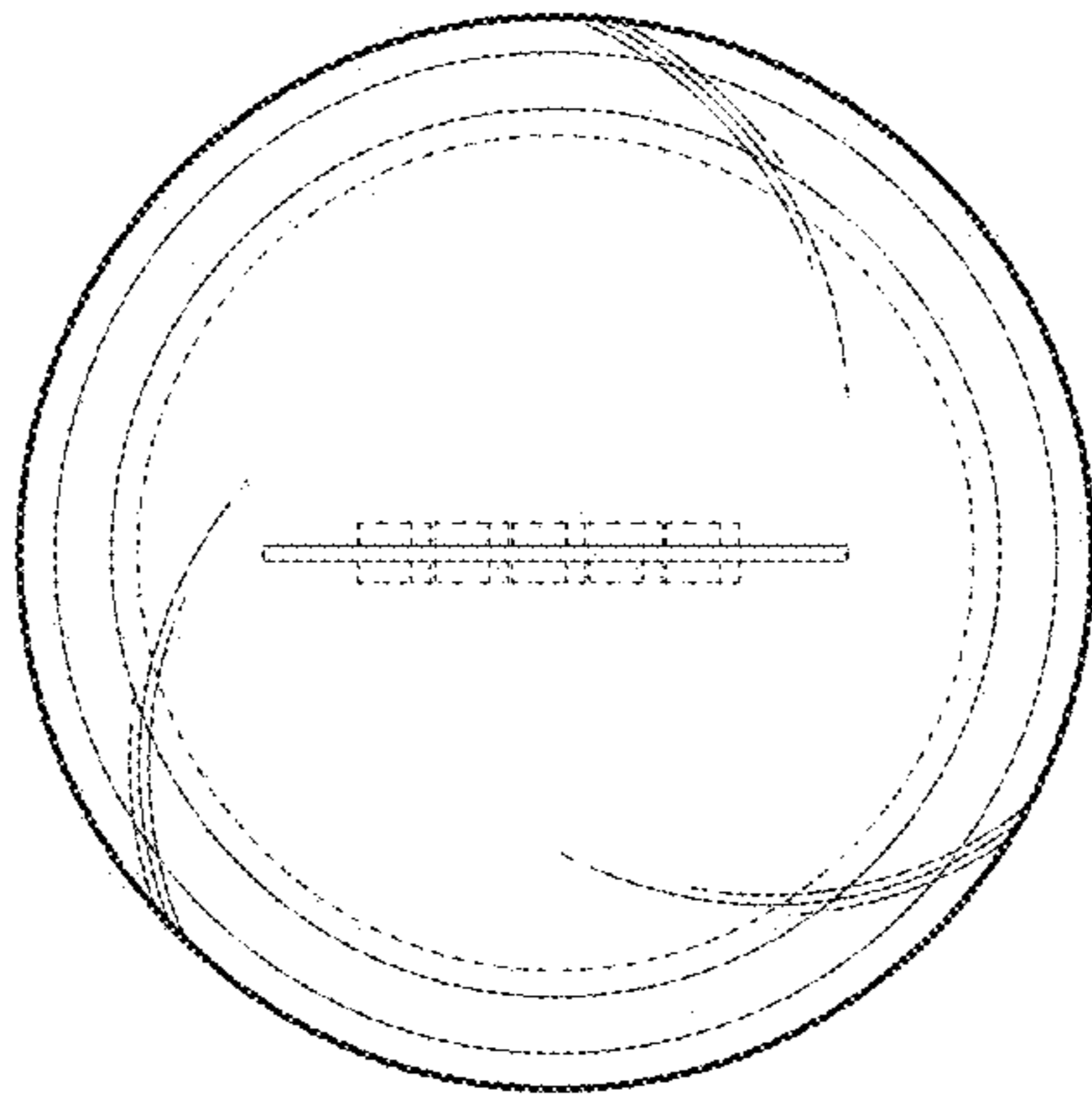


Fig. 13

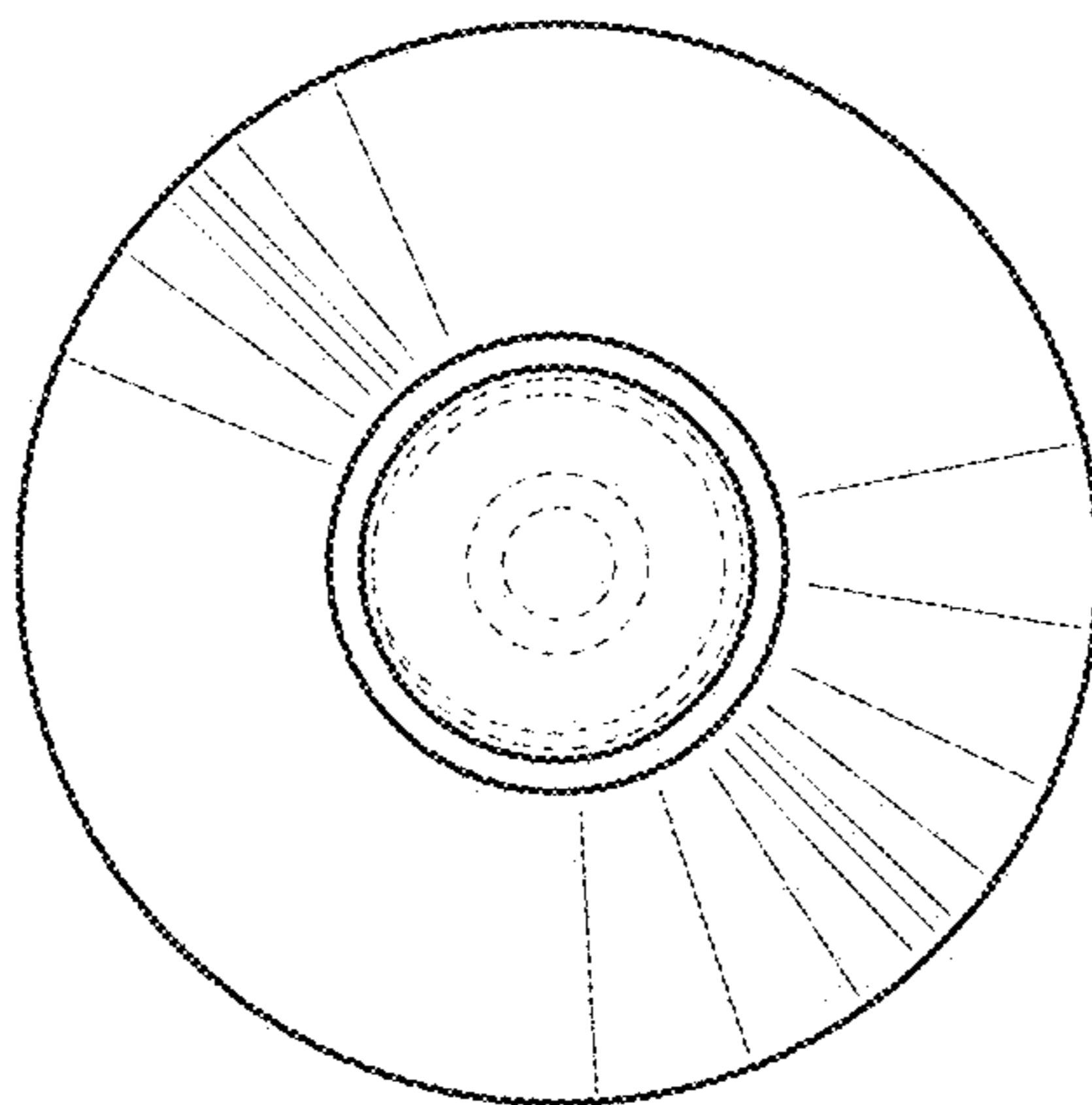


Fig. 14

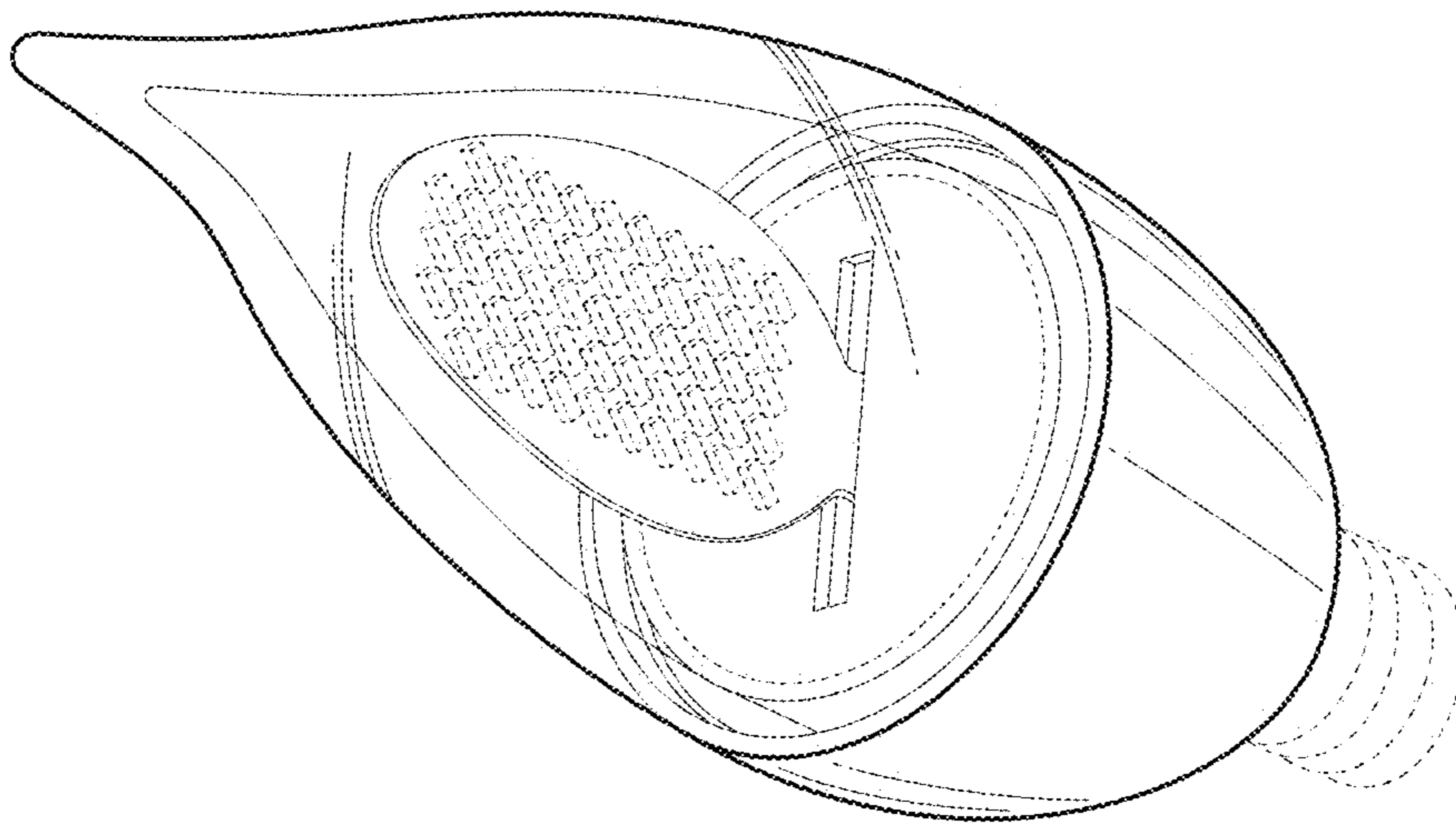


Fig. 15

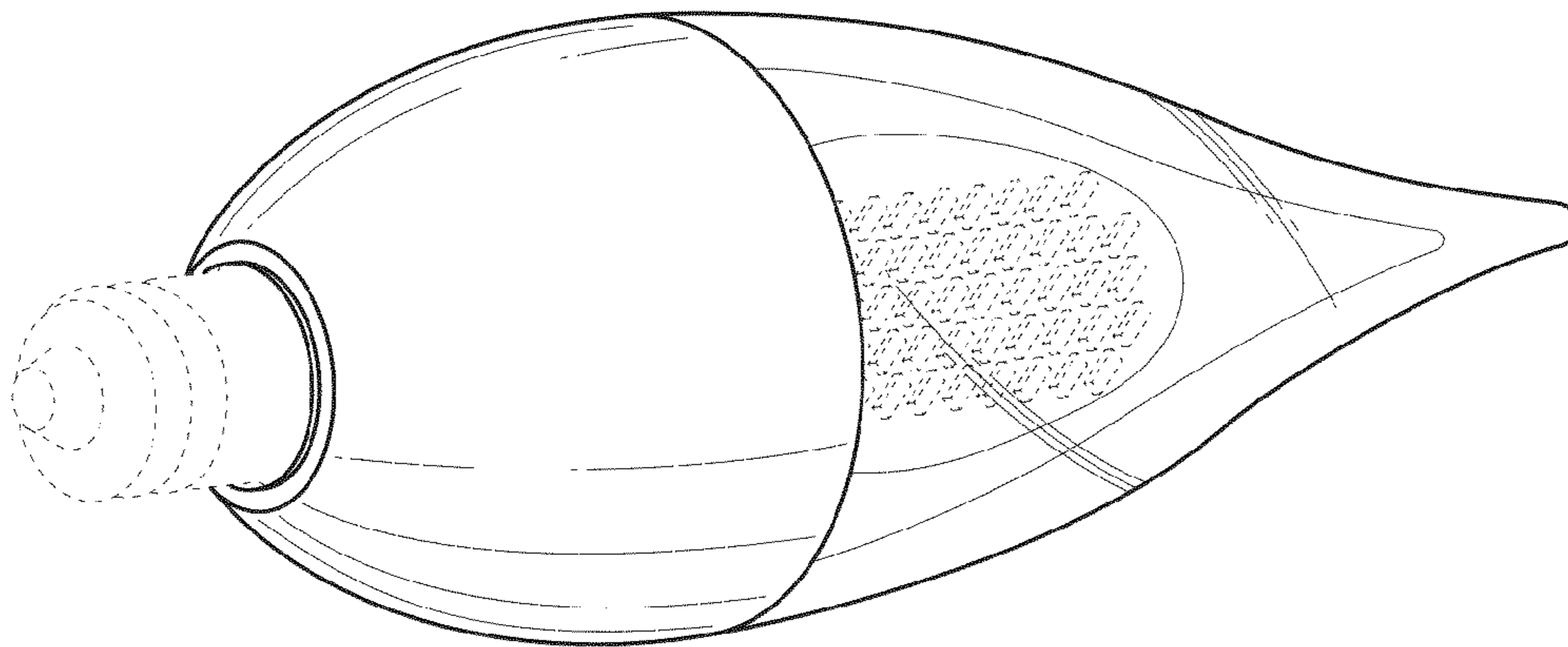


Fig. 16