



US00D760403S

(12) **United States Design Patent**  
**Bilge**

(10) **Patent No.:** **US D760,403 S**  
(45) **Date of Patent:** **\*\* Jun. 28, 2016**

(54) **WALL PANEL MOUNTING EXTRUSION**

(71) Applicant: **Henry H. Bilge**, Fort Lee, NJ (US)

(72) Inventor: **Henry H. Bilge**, Fort Lee, NJ (US)

(\*\*) Term: **14 Years**

(21) Appl. No.: **29/511,392**

(22) Filed: **Dec. 10, 2014**

(51) **LOC (10) Cl.** ..... **25-01**

(52) **U.S. Cl.**  
USPC ..... **D25/125**

(58) **Field of Classification Search**  
USPC ..... D25/119, 124, 125, 126, 146; 52/478,  
52/537, 235, 309.14, 518, 555  
See application file for complete search history.

(56) **References Cited**

**U.S. PATENT DOCUMENTS**

D360,267 S *	7/1995	DiGiorgio	.....	D25/124
D373,200 S *	8/1996	Colitto	.....	D25/124
D379,242 S *	5/1997	Lin	.....	D25/125
D405,197 S *	2/1999	Arcati	.....	D25/125
D417,737 S *	12/1999	Stansfield	.....	D25/121
D429,347 S *	8/2000	Doyle	.....	D25/124

D461,014 S *	7/2002	Marshall	.....	D25/124
D501,936 S *	2/2005	Kim	.....	D25/124
D626,663 S *	11/2010	Stephens	.....	D25/124
D675,046 S *	1/2013	Kloppers	.....	D25/125
D731,677 S *	6/2015	Bernier	.....	D25/125
D736,958 S *	8/2015	Chaney	.....	D25/124
D745,192 S *	12/2015	Suciu	.....	D25/119

\* cited by examiner

*Primary Examiner* — Ian Simmons

*Assistant Examiner* — Samantha Q Lawrence

(74) *Attorney, Agent, or Firm* — Richard M. Goldberg

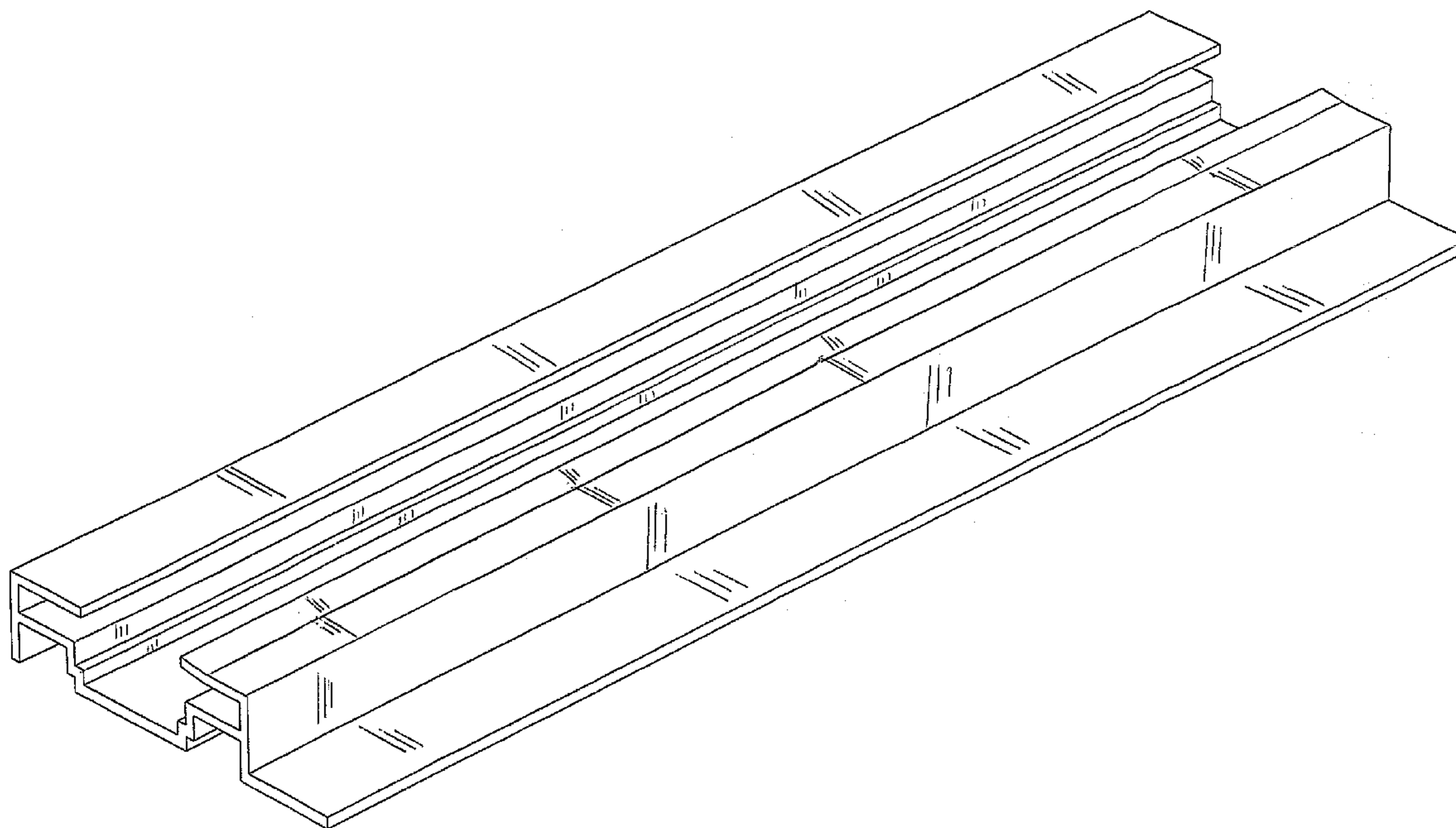
(57) **CLAIM**

The ornamental design for a wall panel mounting extrusion, as shown.

**DESCRIPTION**

FIG. 1 is a top, rear, perspective view of the wall panel mounting extrusion;  
FIG. 2 is a top plan view thereof;  
FIG. 3 is a bottom plan view thereof;  
FIG. 4 is a front elevational view thereof;  
FIG. 5 is a rear elevational view thereof;  
FIG. 6 is a left side elevational view thereof; and,  
FIG. 7 is a right side elevational view thereof.

**1 Claim, 6 Drawing Sheets**



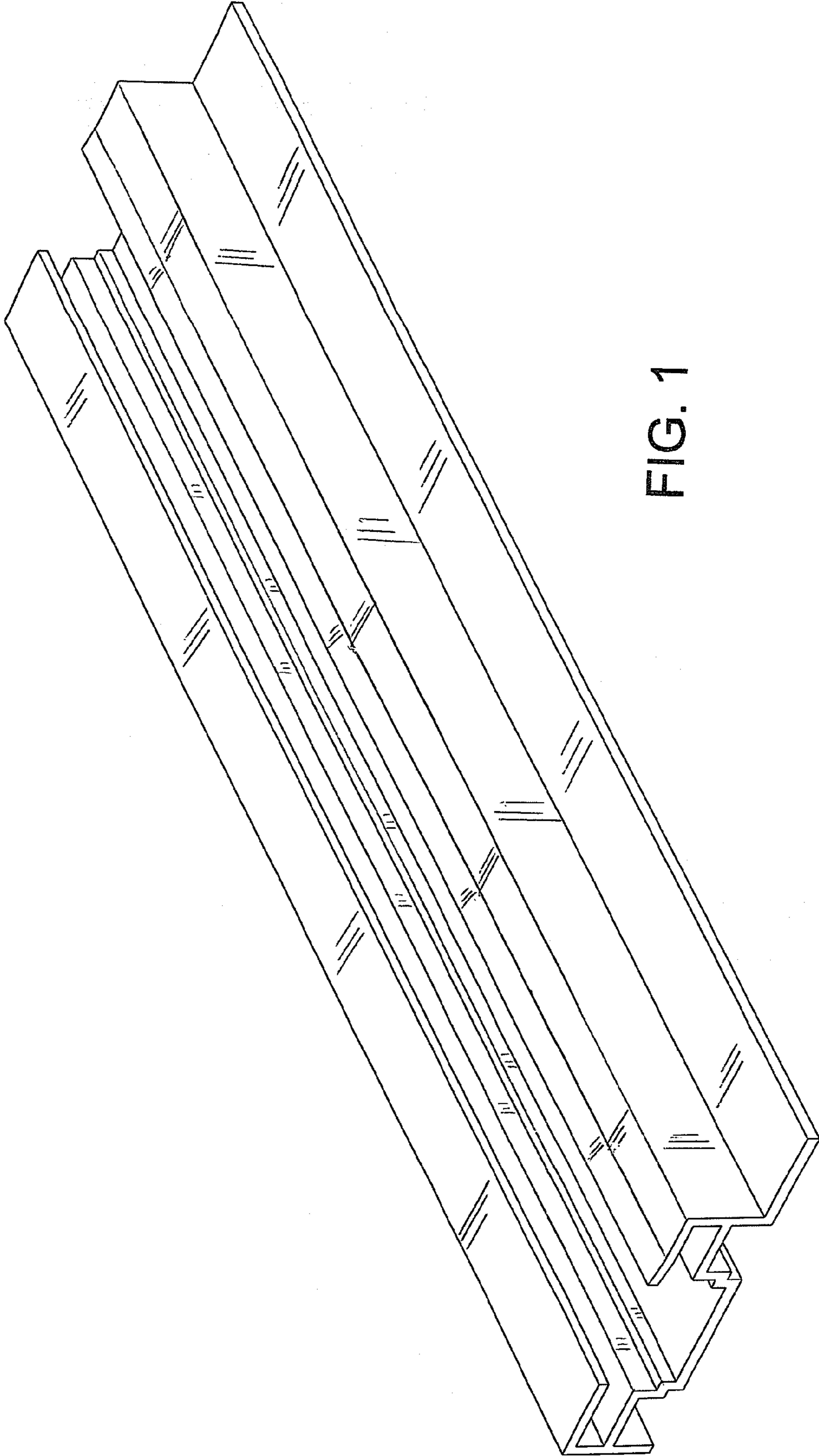


FIG. 1

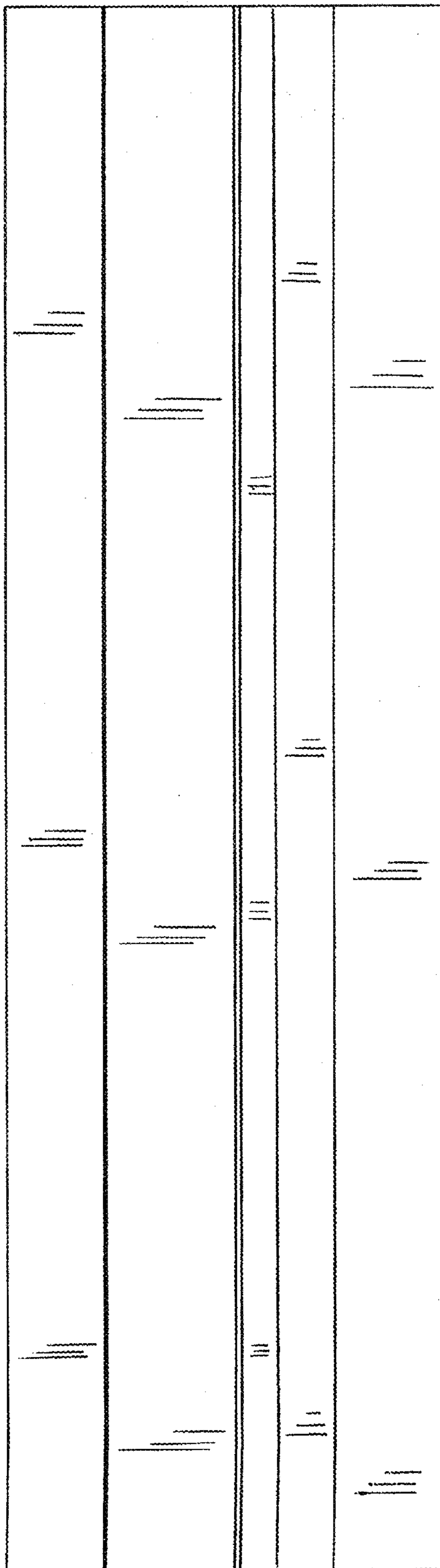


FIG. 2

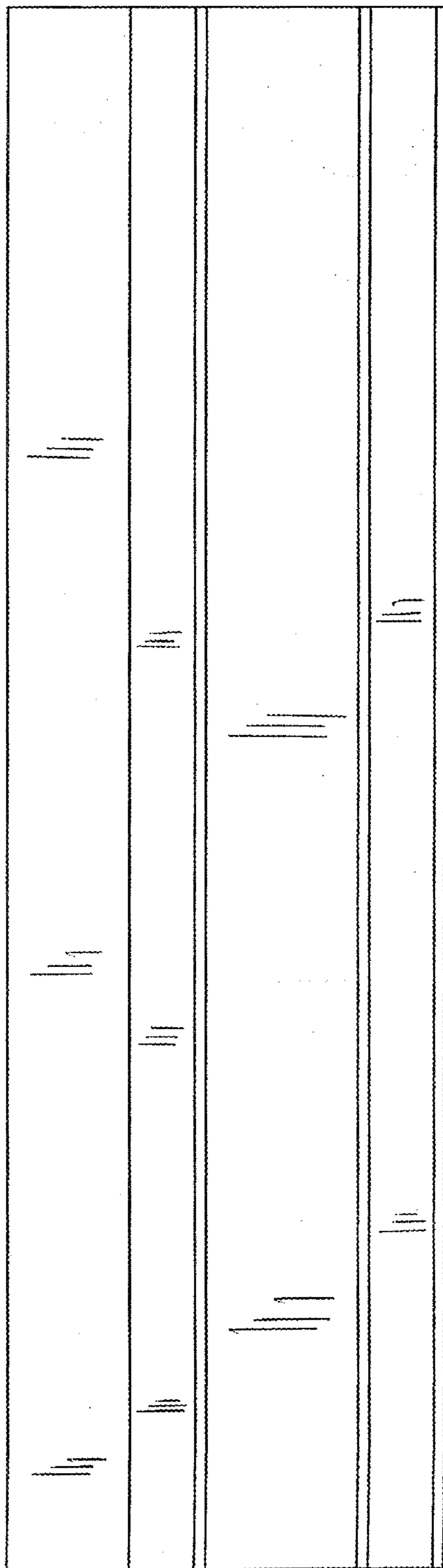


FIG. 3



FIG. 4

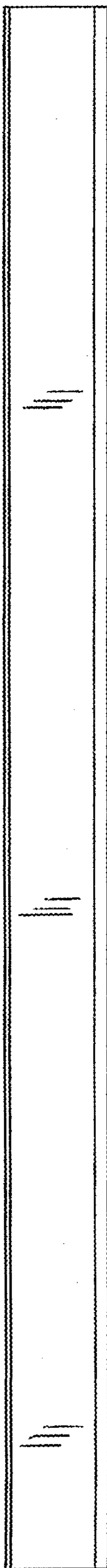


FIG. 5

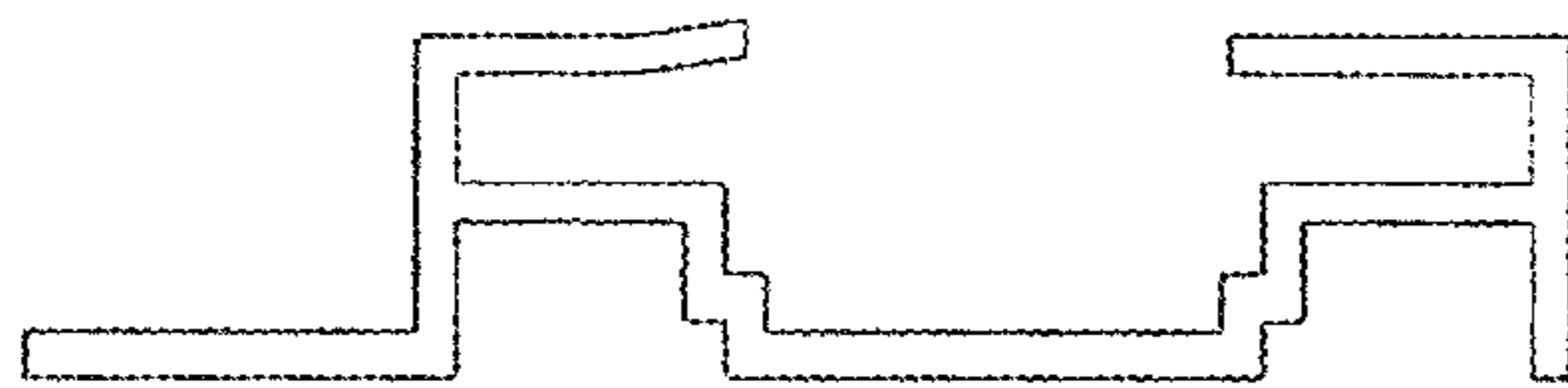


FIG. 6

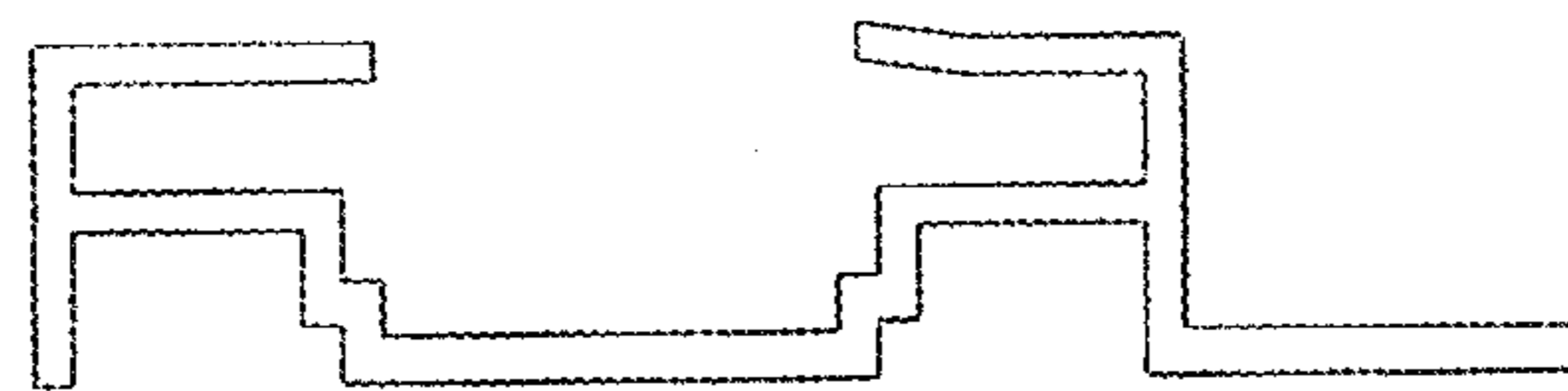


FIG. 7