



US00D760400S

(12) **United States Design Patent**
Grune

(10) **Patent No.:** **US D760,400 S**
(45) **Date of Patent:** **** Jun. 28, 2016**

(54) **CENTRIFUGE BUCKET**

(71) Applicant: **Eppendorf AG**, Hamburg (DE)

(72) Inventor: **Sylke Grune**, Chemnitz (DE)

(73) Assignee: **Eppendorf AG**, Hamburg (DE)

(**) Term: **14 Years**

(21) Appl. No.: **29/457,974**

(22) Filed: **Jun. 14, 2013**

(30) **Foreign Application Priority Data**

Dec. 14, 2012 (DE) 40 2012 005 801

(51) **LOC (10) Cl.** **24-01**

(52) **U.S. Cl.**
USPC **D24/219**

(58) **Field of Classification Search**
USPC D24/216, 219, 186, 231, 232, 224, 227,
D24/121, 129, 118; D10/81; 422/72, 538,
422/548, 551, 555; 494/20, 21, 45, 60;
210/787; D3/304, 307, 314

See application file for complete search history.

(56) **References Cited**

U.S. PATENT DOCUMENTS

4,531,652	A *	7/1985	Hara	220/669
D312,128	S *	11/1990	Headley	D24/219
D424,298	S *	5/2000	Laib	D3/304
D493,035	S *	7/2004	Bergman	D3/304
6,866,623	B2 *	3/2005	Lattanzi	494/20
6,916,282	B2 *	7/2005	Aizawa	494/20
D605,754	S *	12/2009	Nelson et al.	D24/121
D690,024	S *	9/2013	Sauro	D24/219
2010/0273629	A1 *	10/2010	Piramoan et al.	494/80

* cited by examiner

Primary Examiner — Anhdao Doan

(74) *Attorney, Agent, or Firm* — White & Case LLP

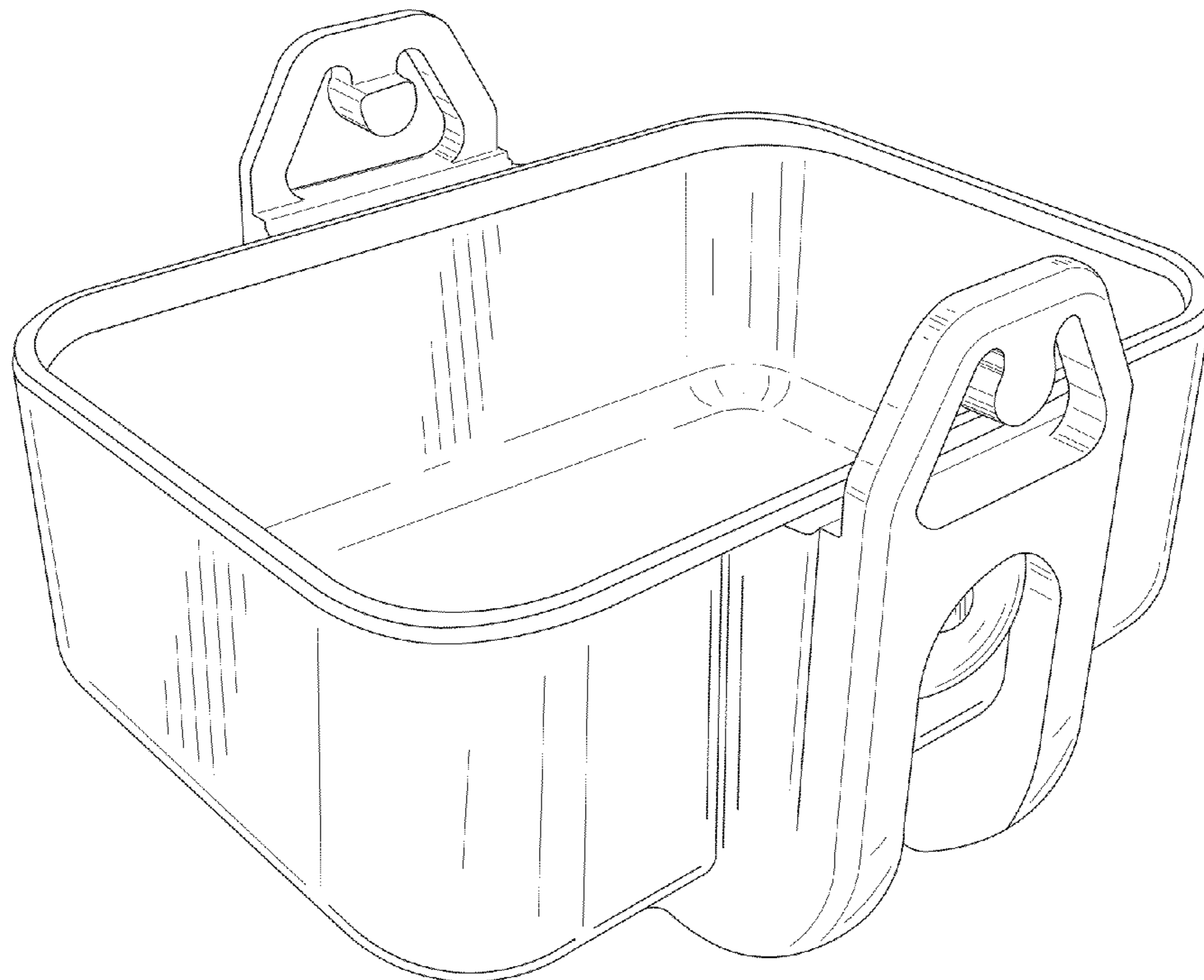
(57) **CLAIM**

The ornamental design for a centrifuge bucket, as shown and described.

DESCRIPTION

FIG. 1 is a front perspective view of a centrifuge bucket showing the new design;
FIG. 2 is a top view thereof;
FIG. 3 is an elevated front view thereof, the rear view being a mirror image; and,
FIG. 4 is an elevated left side view thereof, the right side view being a mirror image.

1 Claim, 4 Drawing Sheets



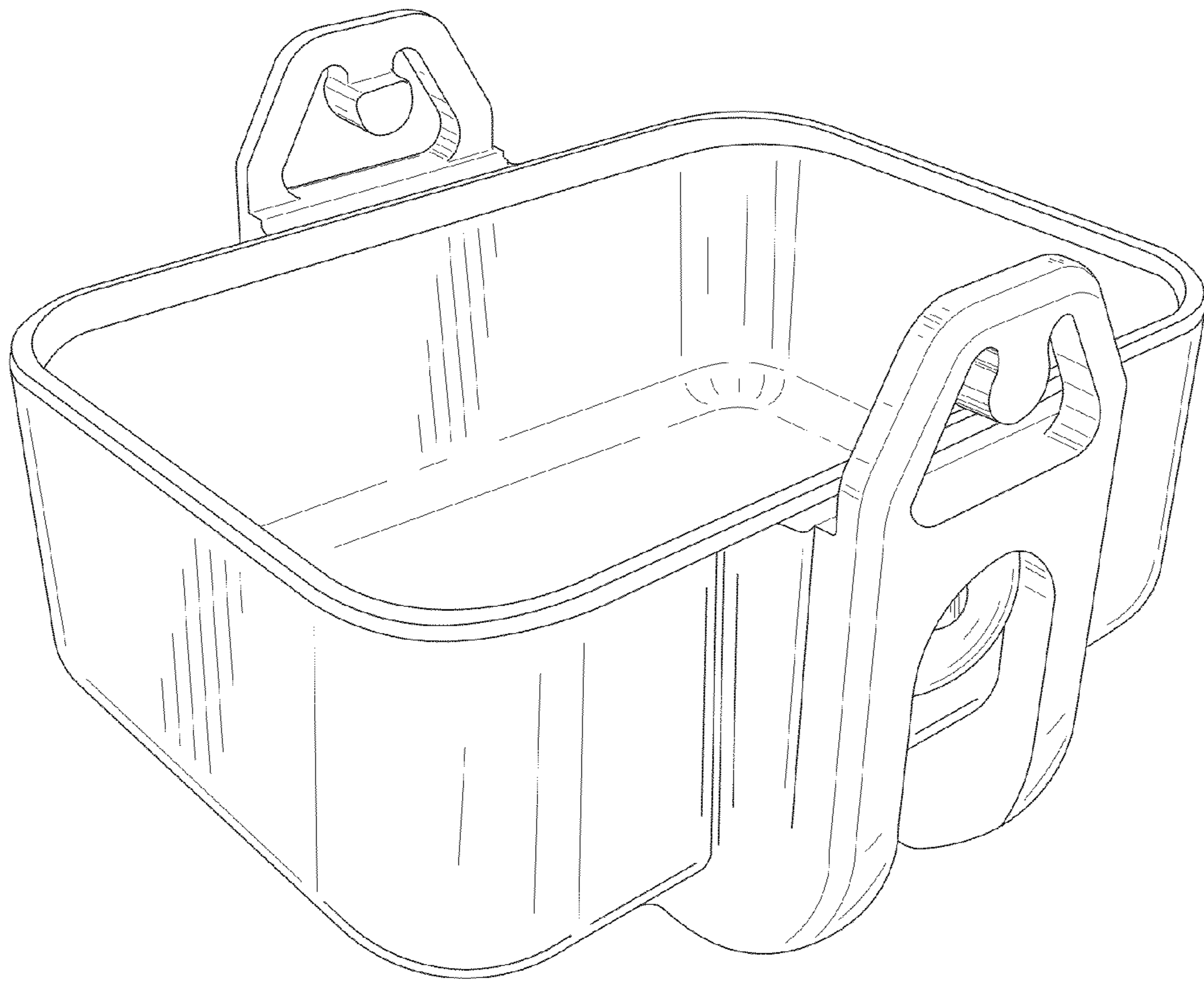


FIG. 1

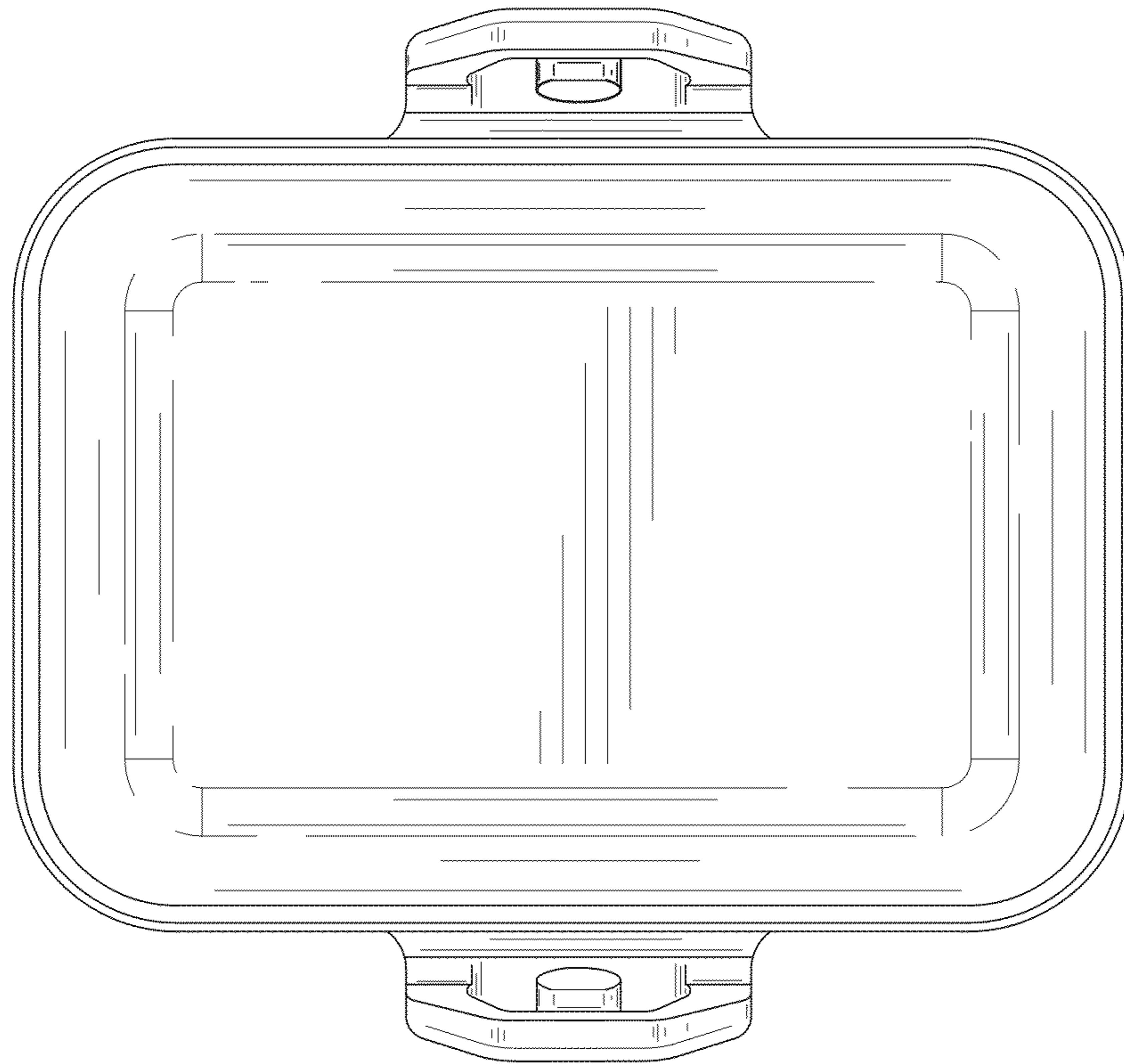


FIG. 2

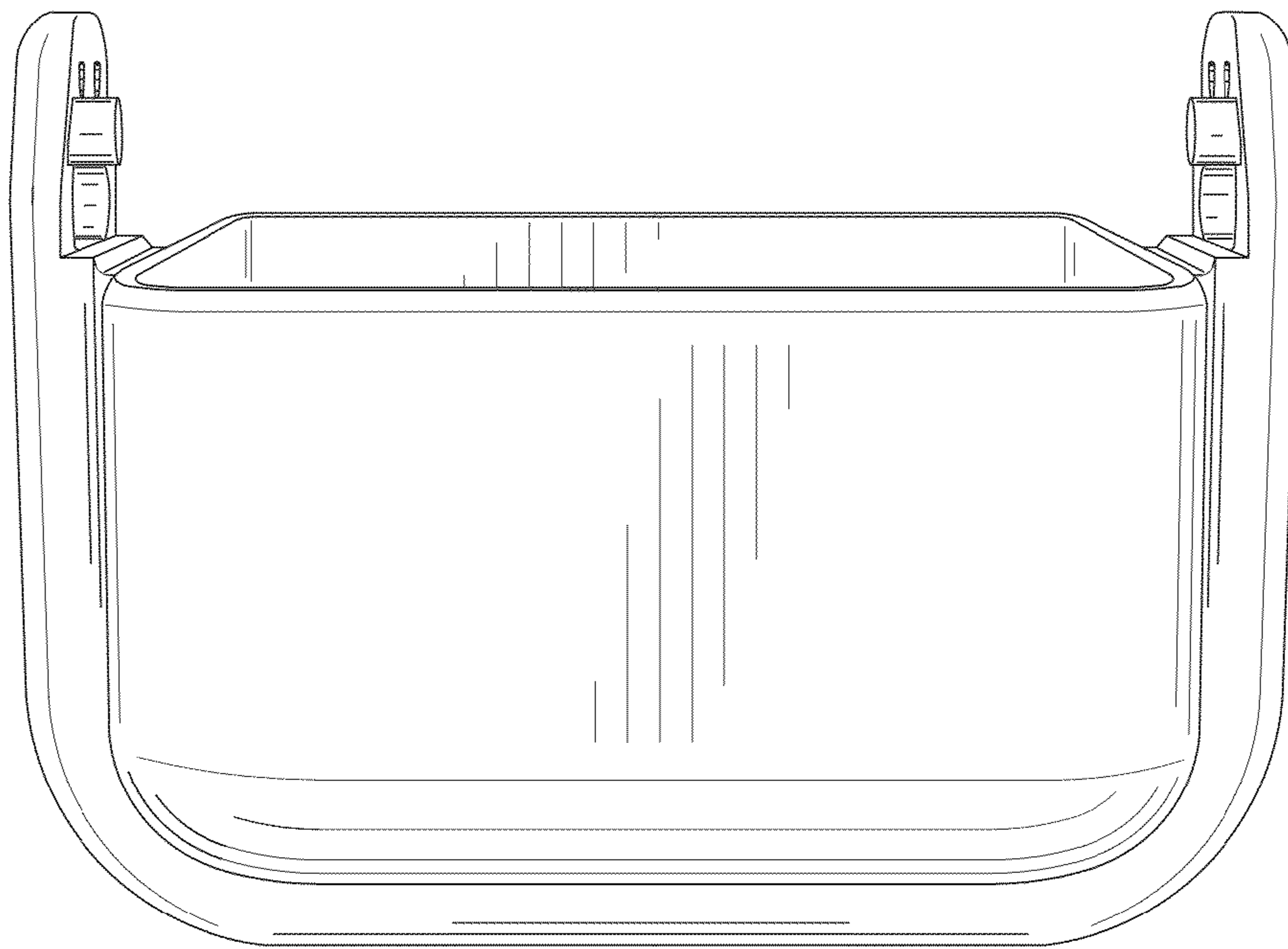


FIG. 3

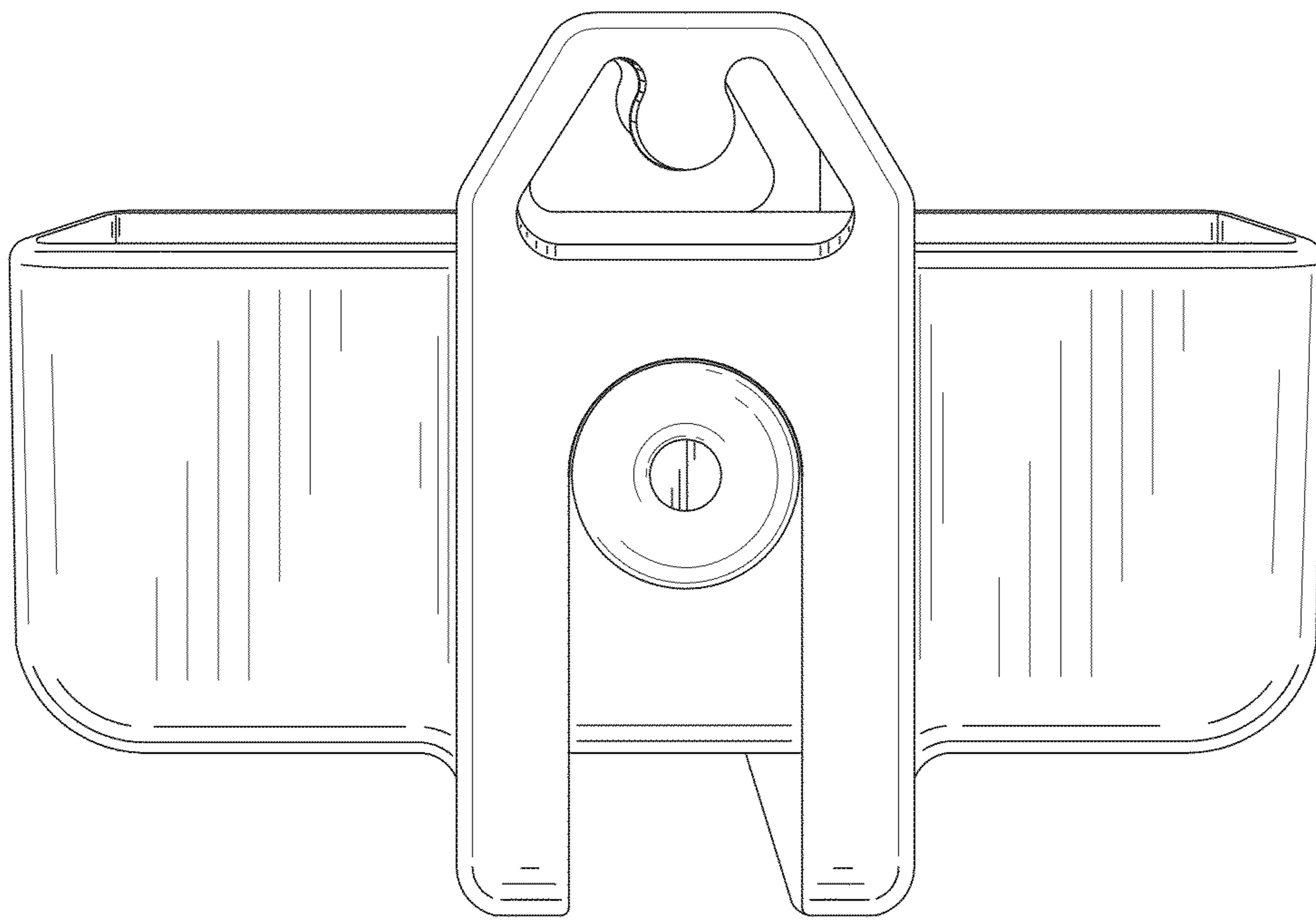


FIG. 4