

US00D760399S

(12) **United States Design Patent**
So et al.

(10) **Patent No.:** **US D760,399 S**
(45) **Date of Patent:** **** Jun. 28, 2016**

(54) **CASE FOR AN ENCAPSULATION DEVICE**

(71) Applicant: **ViaCyte, Inc.**, San Diego, CA (US)

(72) Inventors: **Vincent So**, San Diego, CA (US); **Erik Olson**, San Diego, CA (US); **Michael Scott**, San Diego, CA (US); **Chad Green**, San Diego, CA (US); **Giacomo Strollo**, San Diego, CA (US); **Gustavo Prado**, San Diego, CA (US); **Craig McGreevy**, San Diego, CA (US)

(73) Assignee: **VIACYTE, INC.**, San Diego, CA (US)

(**) Term: **14 Years**

(21) Appl. No.: **29/488,209**

(22) Filed: **Apr. 16, 2014**

(51) **LOC (10) Cl.** **24-01**

(52) **U.S. Cl.**
USPC **D24/216; D24/227**

(58) **Field of Classification Search**
USPC D24/216, 223–227, 231, 232, 186, 107,
D24/108, 121; D10/81; 422/503, 551, 554;
435/287.2, 287.3, 288.3, 288.4, 288.5;
436/808, 809
CPC B01L 3/5027; B01L 3/502707
See application file for complete search history.

(56) **References Cited**

U.S. PATENT DOCUMENTS

D351,913	S	*	10/1994	Hieb et al.	D24/225
D421,498	S	*	3/2000	Livingston	D24/226
D473,318	S	*	4/2003	Barbera-Guillem	D24/216
D495,805	S	*	9/2004	Lea et al.	D24/216
D530,021	S	*	10/2006	Muraca	D24/226
D639,975	S	*	6/2011	Doyle et al.	D24/225
D639,977	S	*	6/2011	Francis et al.	D24/225
D692,578	S	*	10/2013	Kikuhara et al.	D24/216
D700,354	S	*	2/2014	Plougsgaard et al.	D24/224
2009/0105811	A1	*	4/2009	Dinh et al.	623/1.41
2009/0170189	A1	*	7/2009	Park et al.	435/288.7
2010/0124564	A1	*	5/2010	Martinson et al.	424/424
2014/0272941	A1	*	9/2014	Gunnerson et al.	422/554

OTHER PUBLICATIONS

IP Routine VI Cassettes, Leica Biosystems, Retrieved from: <http://www.leicabiosystems.com/specimen-preparation/specimen-preparation-consumables/autopsy-dissection/autopsy/details/product/ip-routine-vi-cassettes/> Retrieved on: Oct. 23, 2015 (2 pages total).

* cited by examiner

Primary Examiner — Anhdao Doan

(74) *Attorney, Agent, or Firm* — Mark D. Wiczorek; Mayer & Williams PC

(57) **CLAIM**

The ornamental design for a case for an encapsulation device, as shown and described.

DESCRIPTION

FIG. 1 is a perspective view from above of the case for an encapsulation device showing an embodiment of our new design;

FIG. 2 is a perspective view of the case illustrated in FIG. 1 from below;

FIG. 3 is a top plan view of the case illustrated in FIG. 1;

FIG. 4 is a bottom plan view of the case illustrated in FIG. 1;

FIG. 5 is a front elevation view of the case illustrated in FIG. 1;

FIG. 6 is a rear elevation view of the case illustrated in FIG. 1;

FIG. 7 is a right elevation view of the case illustrated in FIG. 1;

FIG. 8 is a left elevation view of the case illustrated in FIG. 1;

FIG. 9 is a perspective view from above of the case for an encapsulation device showing an embodiment of our new design;

FIG. 10 is a perspective view of the case illustrated in FIG. 9 from below;

FIG. 11 is a top plan view of the case illustrated in FIG. 9;

FIG. 12 is a bottom plan view of the case illustrated in FIG. 9;

FIG. 13 is a front elevation view of the case illustrated in FIG. 9;

FIG. 14 is a rear elevation view of the case illustrated in FIG. 9;

FIG. 15 is a right elevation view of the case illustrated in FIG. 9;

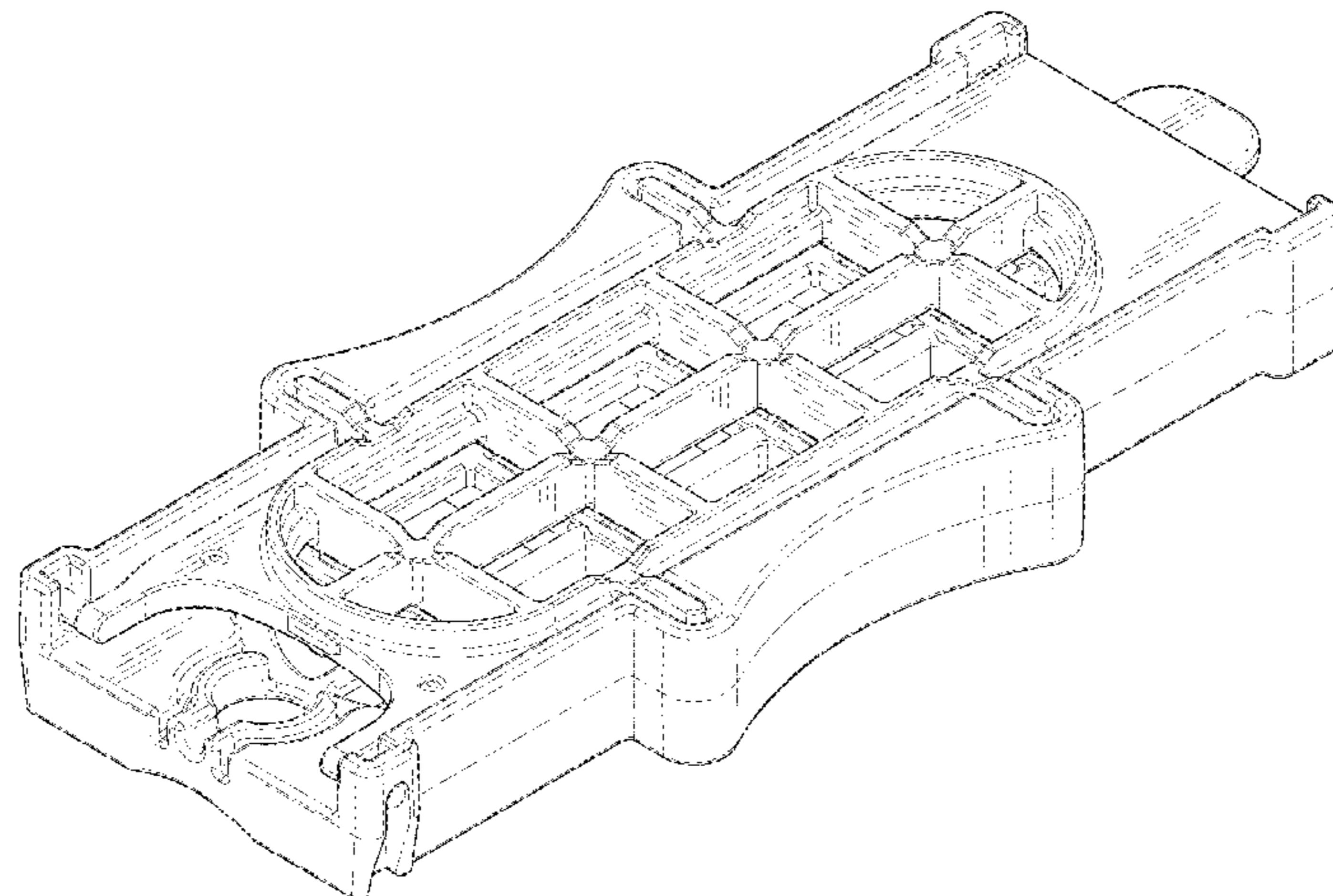


FIG. 16 is a left elevation view of the case illustrated in FIG. 9;
FIG. 17 is a perspective view from above of the case for an encapsulation device showing an embodiment of our new design;
FIG. 18 is a perspective view of the case illustrated in FIG. 17 from below;
FIG. 19 is a top plan view of the case illustrated in FIG. 17;
FIG. 20 is a bottom plan view of the case illustrated in FIG. 17;
FIG. 21 is a front elevation view of the case illustrated in FIG. 17;
FIG. 22 is a rear elevation view of the case illustrated in FIG. 17;
FIG. 23 is a right elevation view of the case illustrated in FIG. 17;
FIG. 24 is a left elevation view of the case illustrated in FIG. 18;
FIG. 25 is a perspective view from above of the case for an encapsulation device showing an embodiment of our new design;
FIG. 26 is a perspective view of the case illustrated in FIG. 25 from below;
FIG. 27 is a top plan view of the case illustrated in FIG. 25;
FIG. 28 is a bottom plan view of the case illustrated in FIG. 25;

FIG. 29 is a front elevation view of the case illustrated in FIG. 25;
FIG. 30 is a rear elevation view of the case illustrated in FIG. 25;
FIG. 31 is a right elevation view of the case illustrated in FIG. 25;
FIG. 32 is a left elevation view of the case illustrated in FIG. 25;
FIG. 33 is a perspective view from above of the case for an encapsulation device showing an embodiment of our new design;
FIG. 34 is a perspective view of the case illustrated in FIG. 33 from below;
FIG. 35 is a top plan view of the case illustrated in FIG. 33;
FIG. 36 is a bottom plan view of the case illustrated in FIG. 33;
FIG. 37 is a front elevation view of the case illustrated in FIG. 33;
FIG. 38 is a rear elevation view of the case illustrated in FIG. 33;
FIG. 39 is a right elevation view of the case illustrated in FIG. 33; and,
FIG. 40 is a left elevation view of the case illustrated in FIG. 33.

1 Claim, 30 Drawing Sheets

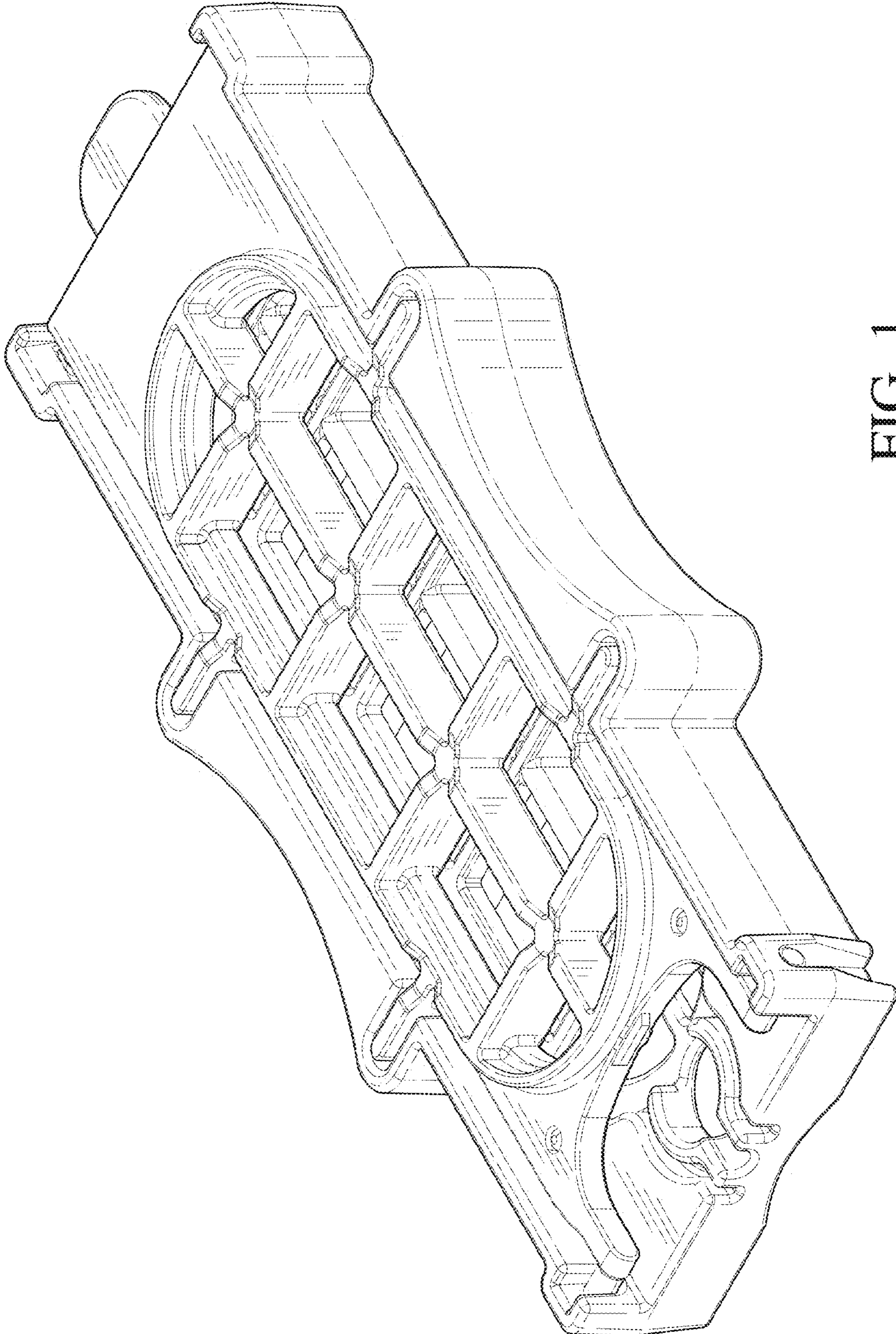


FIG. 1

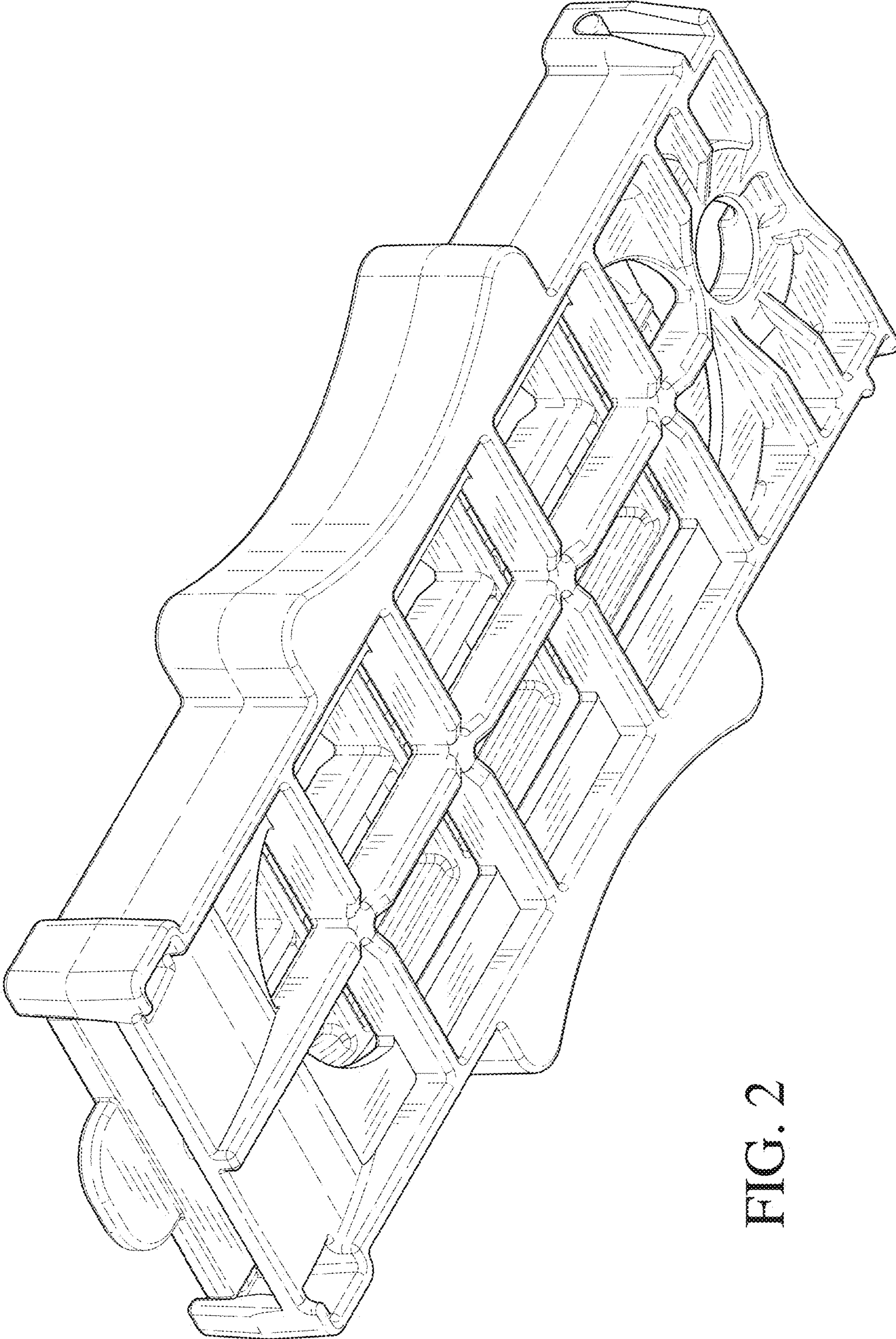


FIG. 2

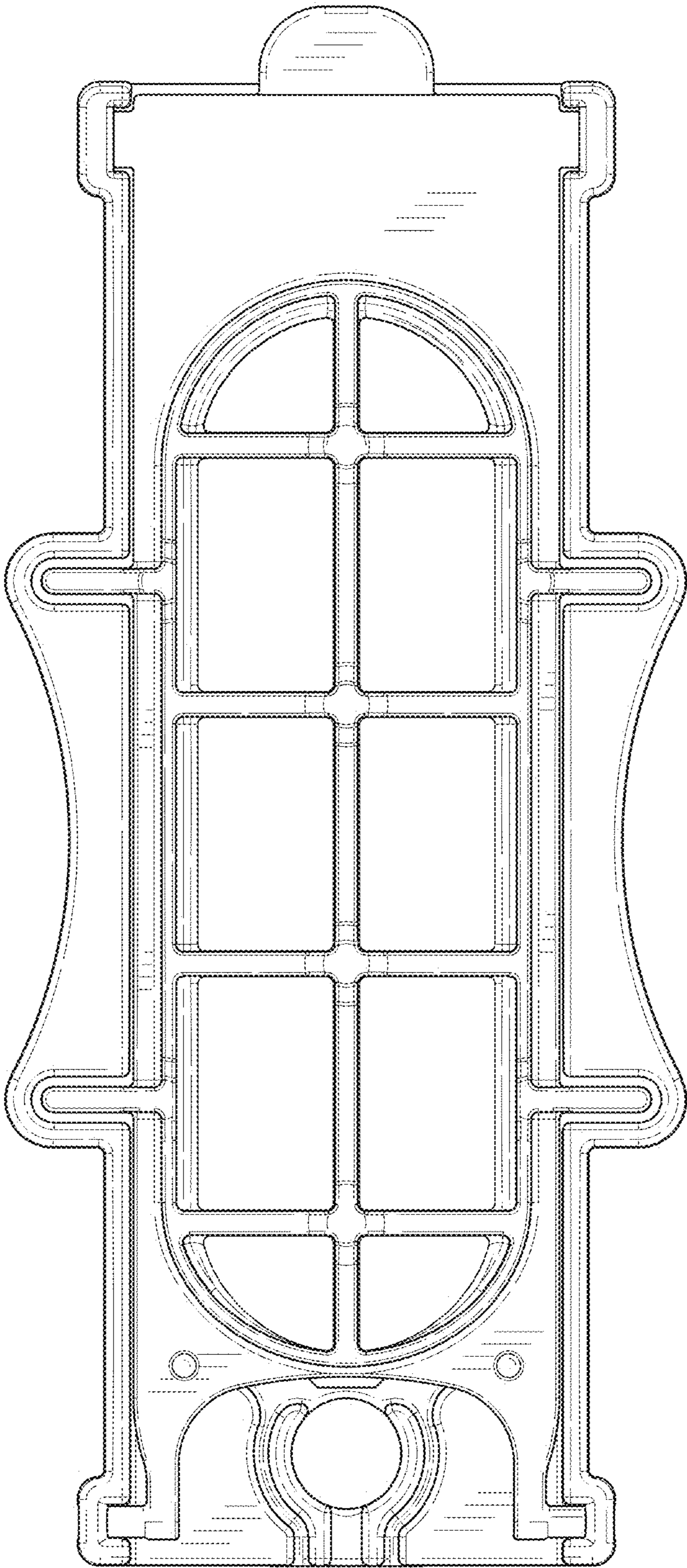


FIG. 3

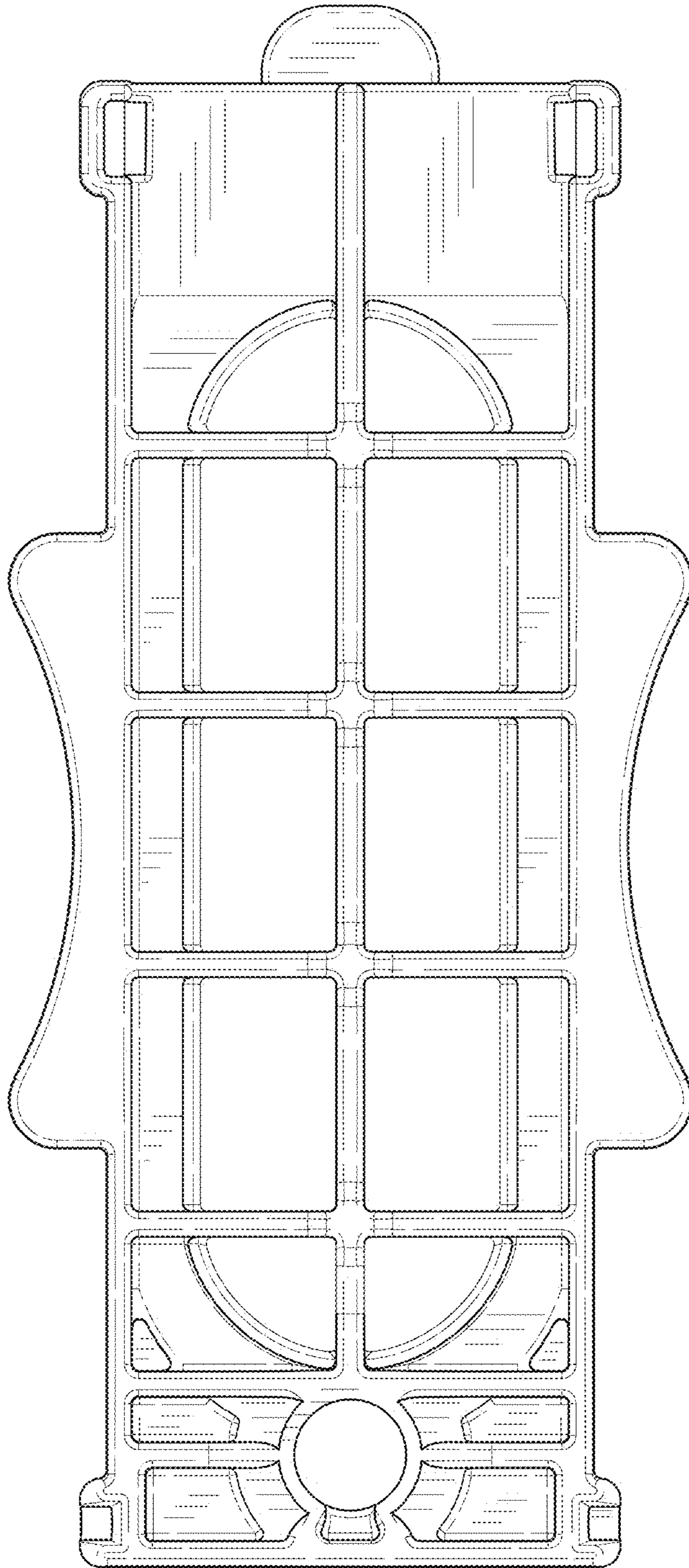


FIG. 4

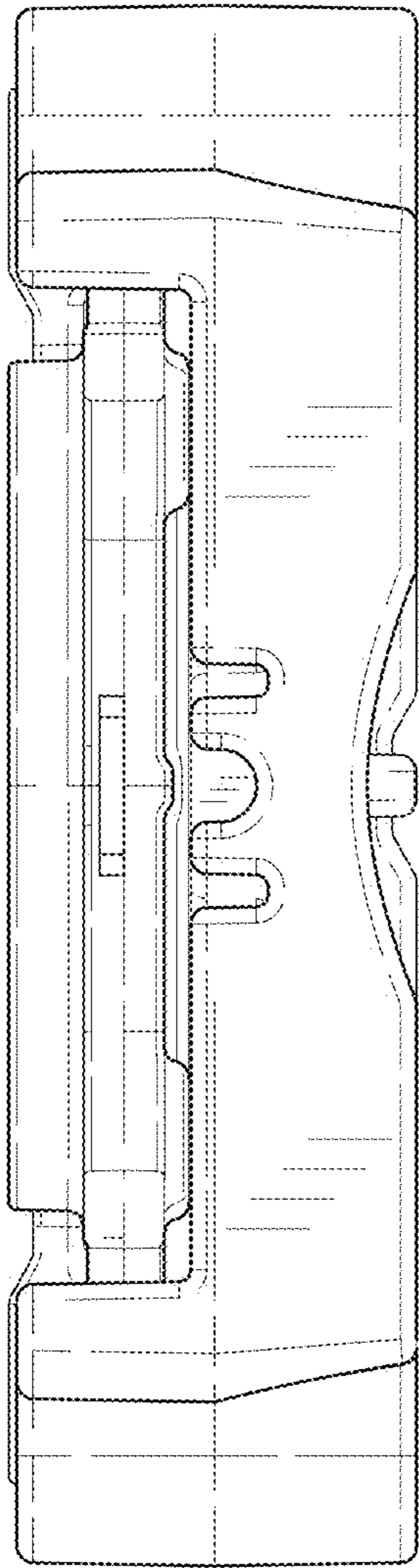


FIG. 5

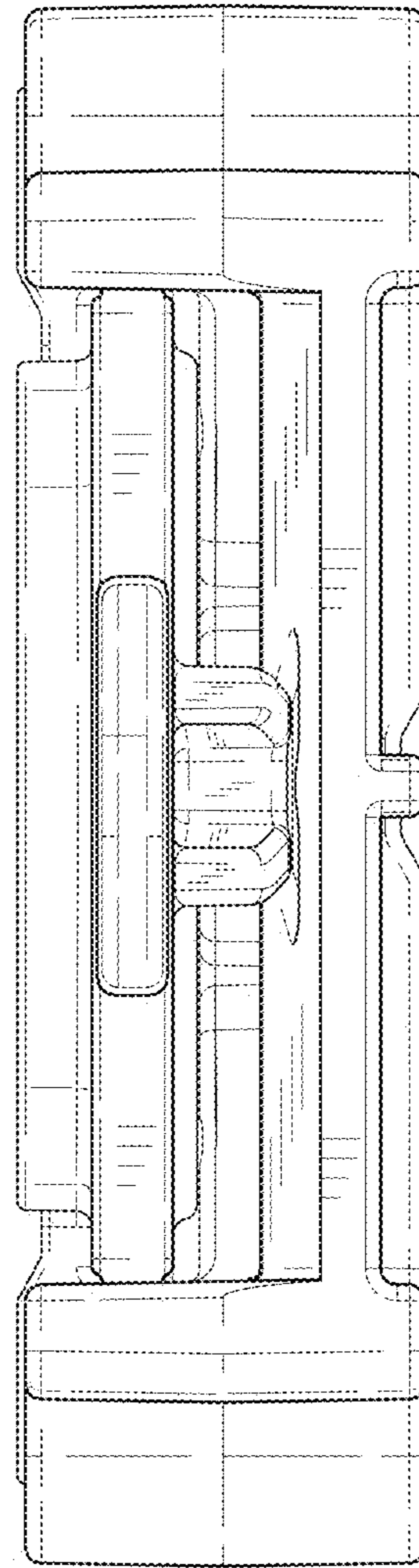


FIG. 6

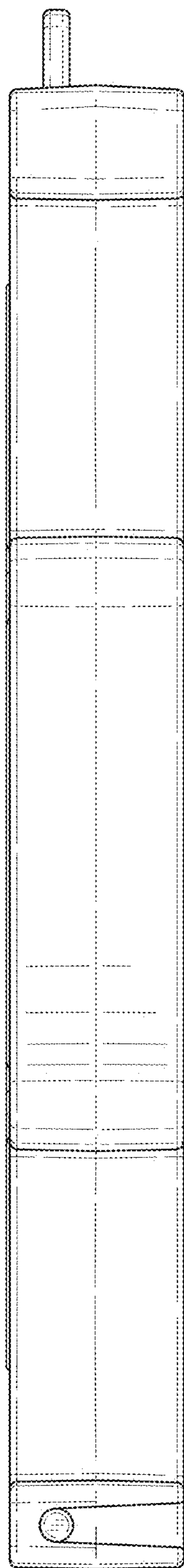


FIG. 7

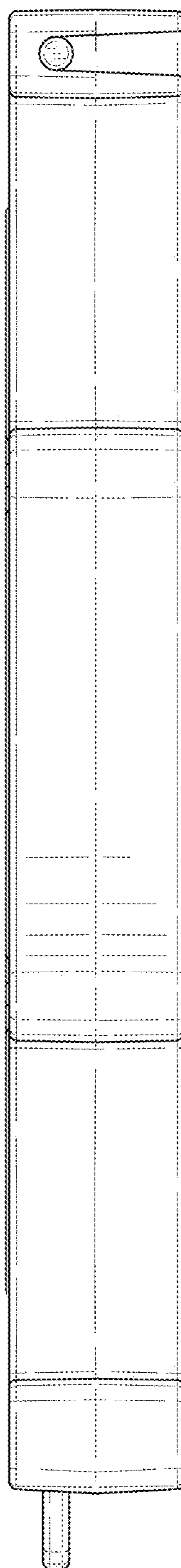


FIG. 8

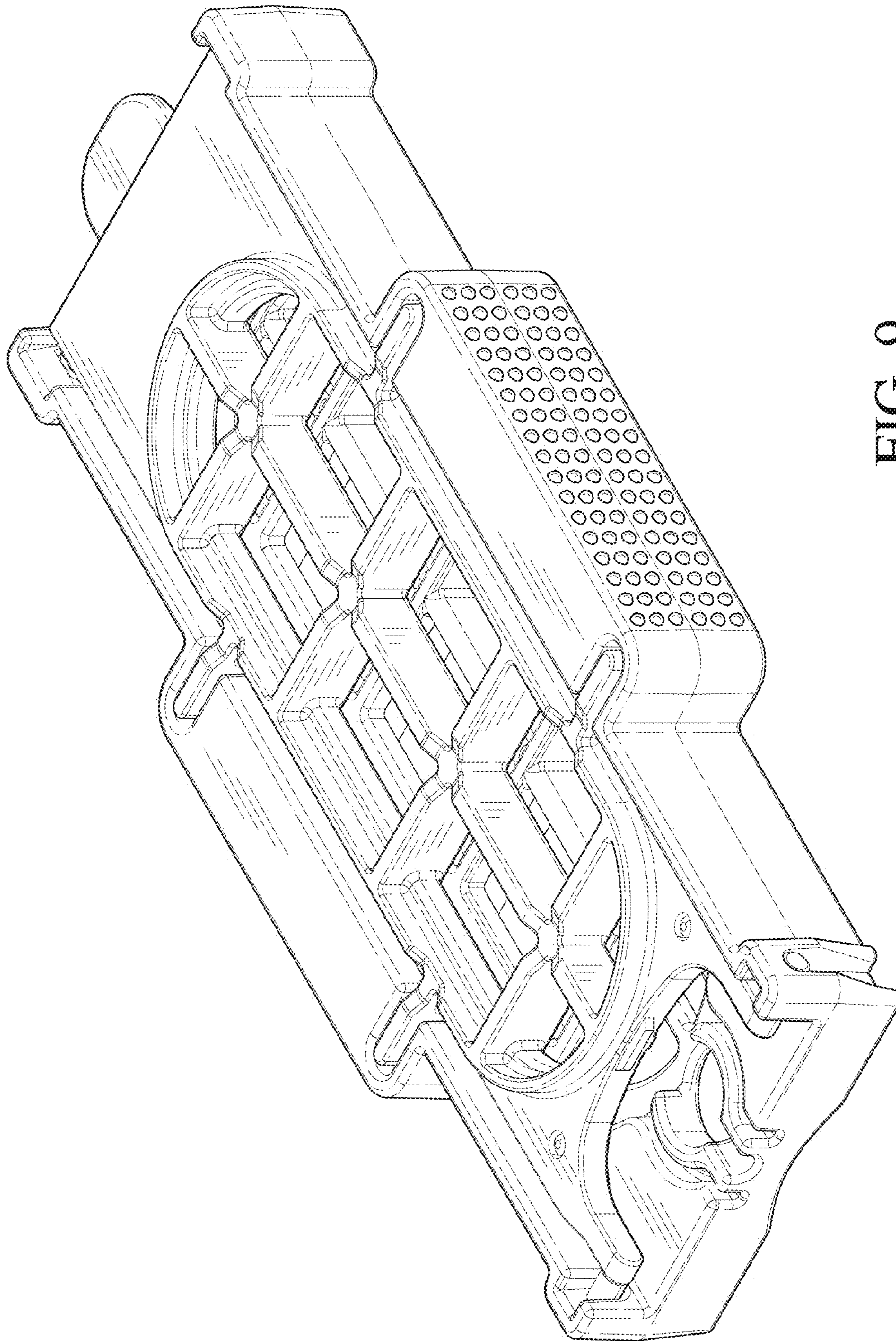


FIG. 9

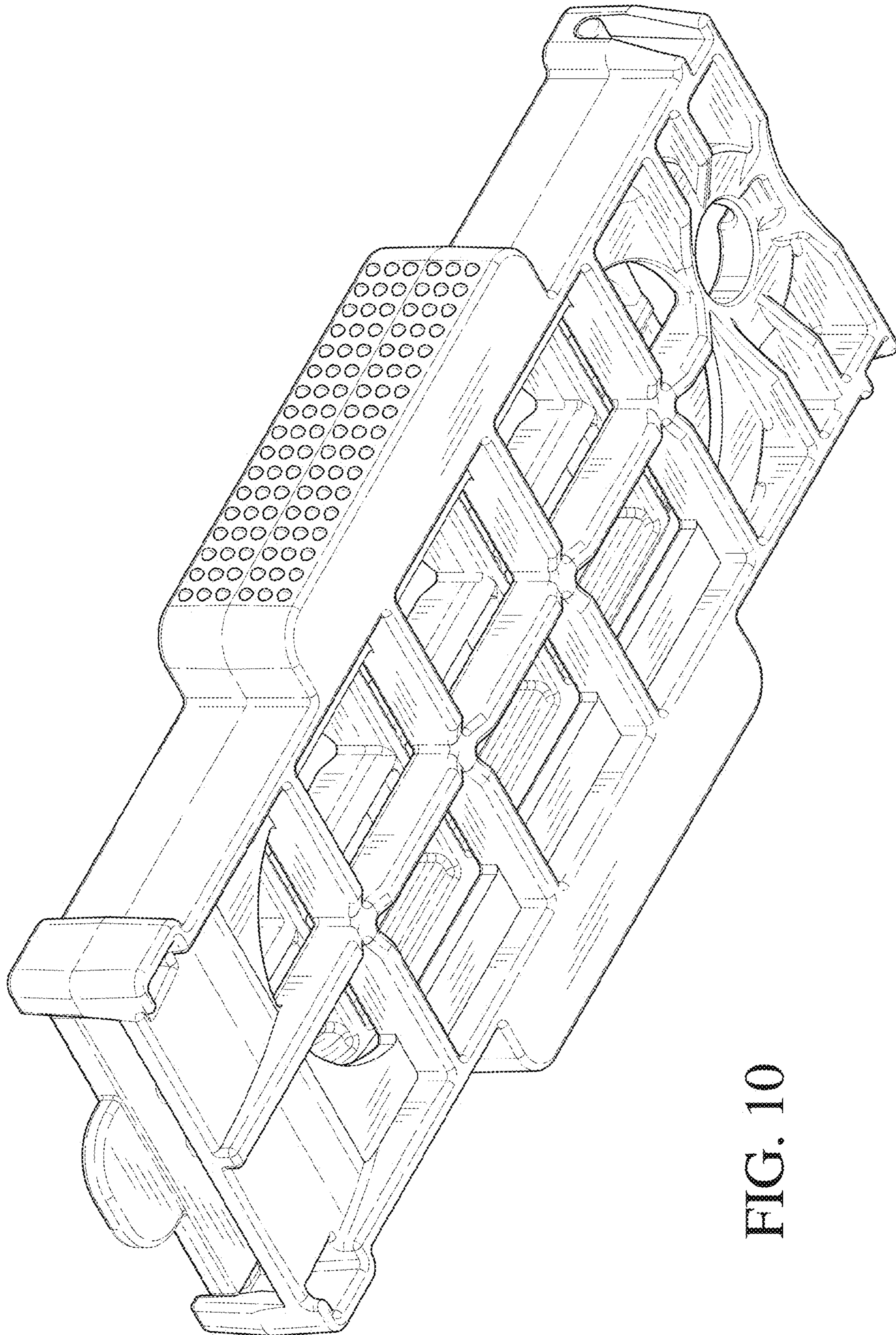


FIG. 10

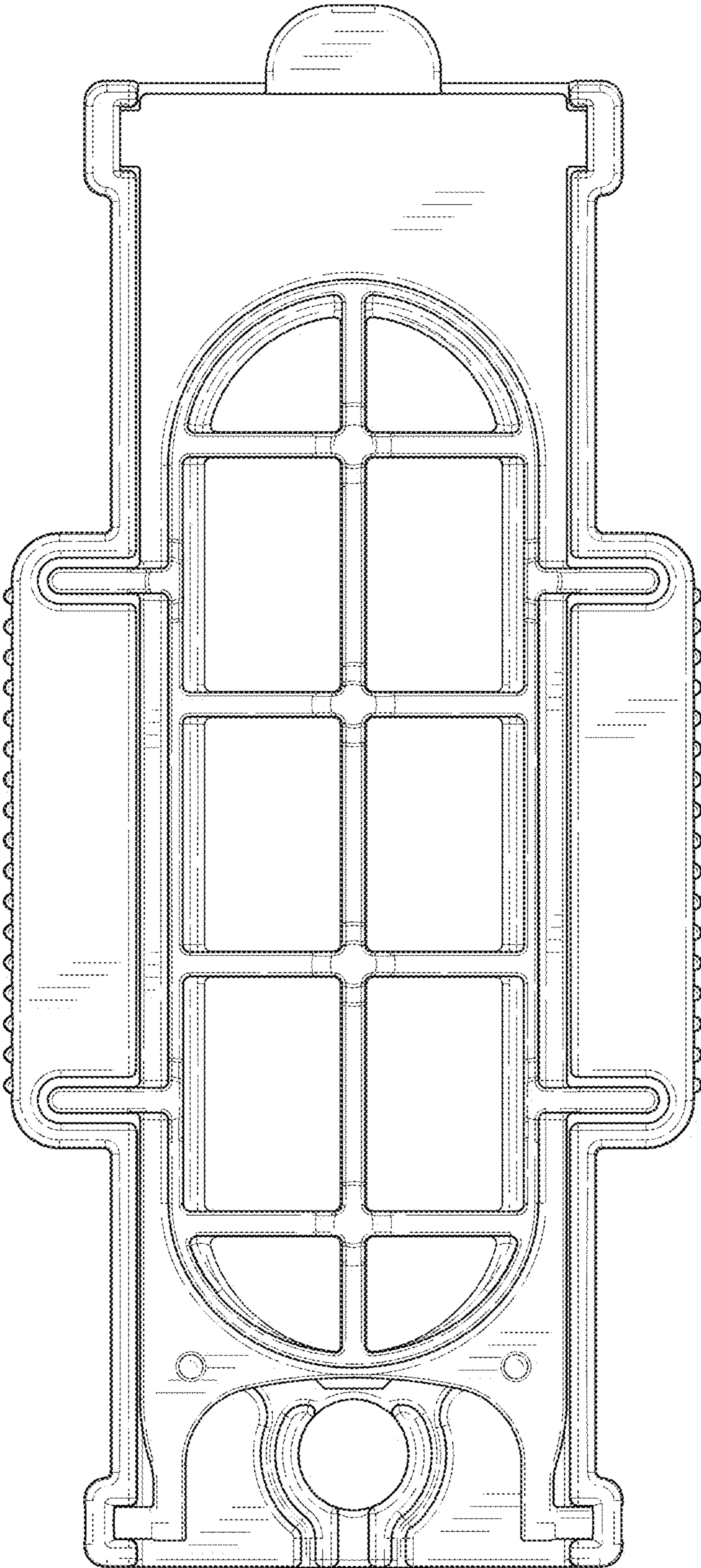


FIG. 11

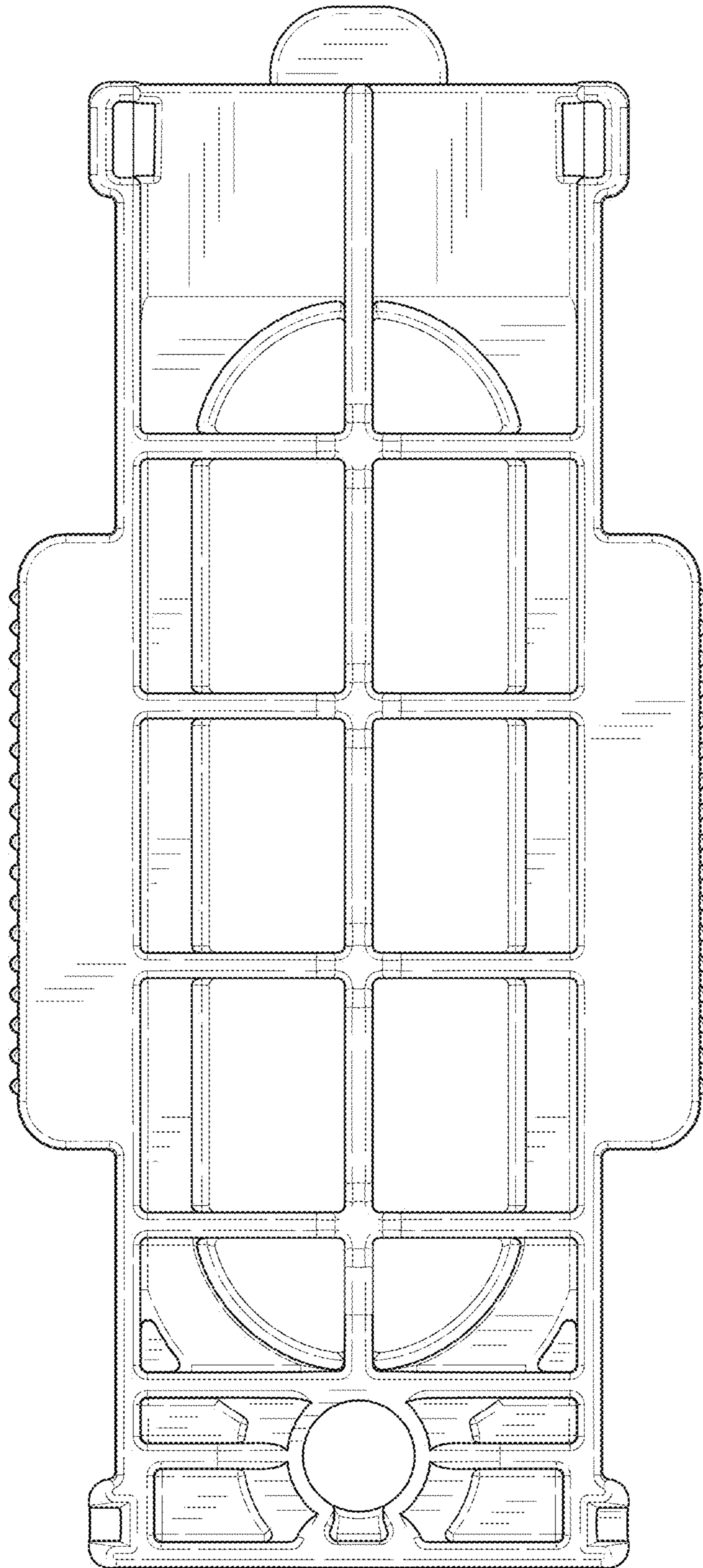


FIG. 12

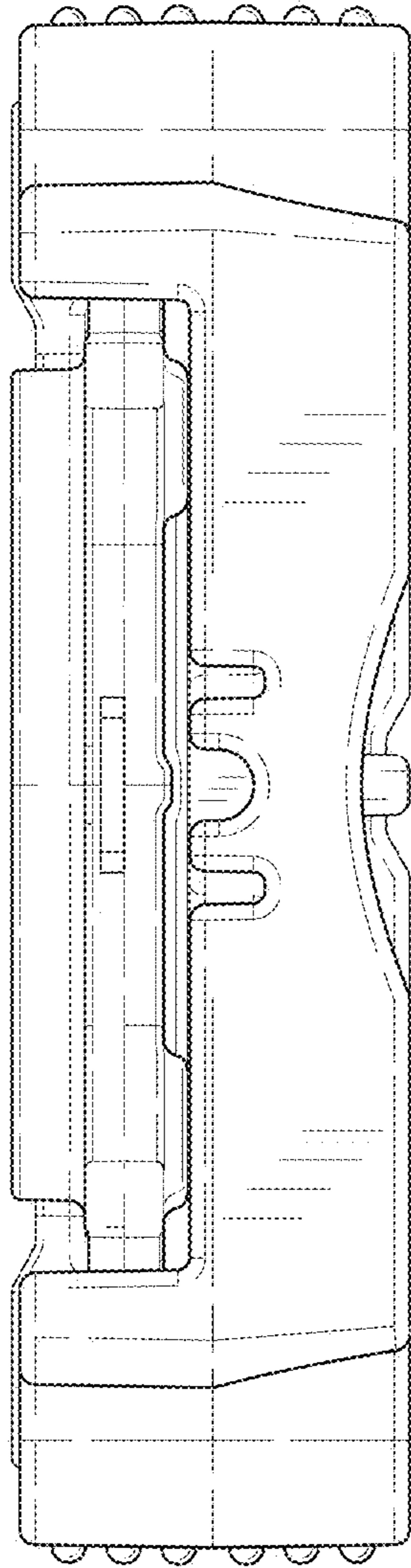


FIG. 13

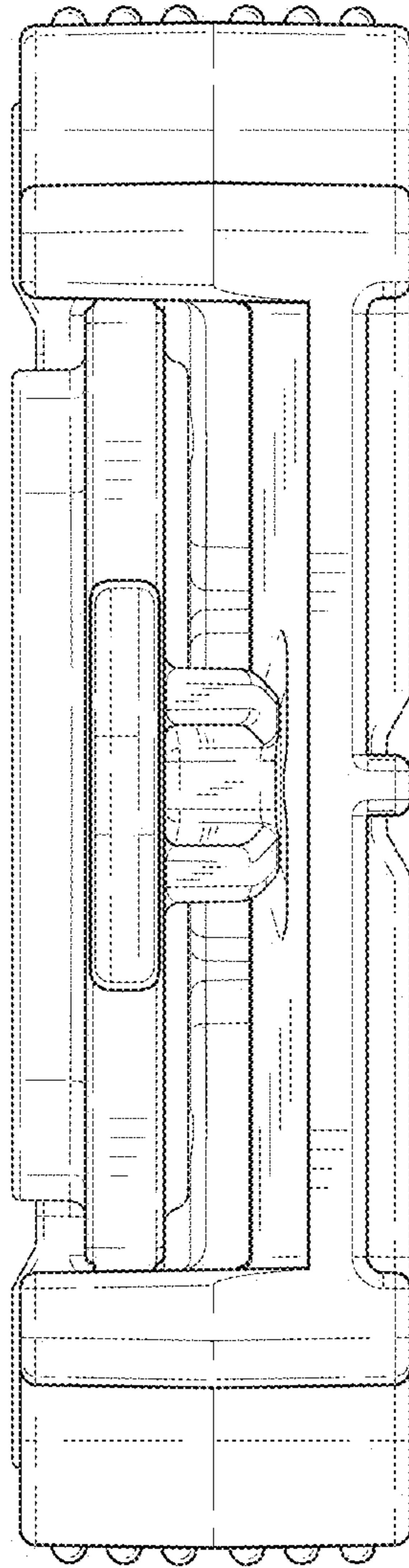


FIG. 14

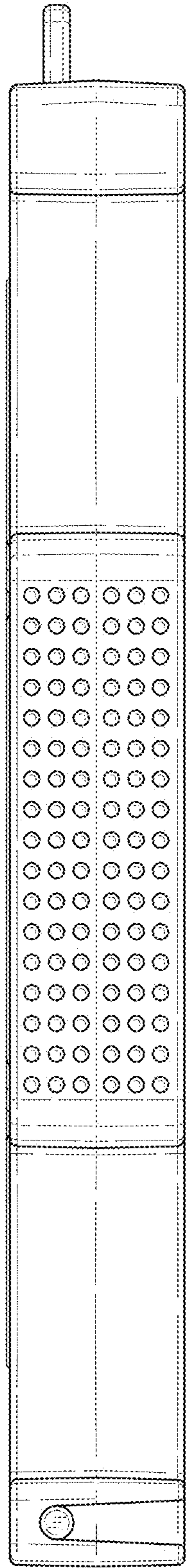


FIG. 15

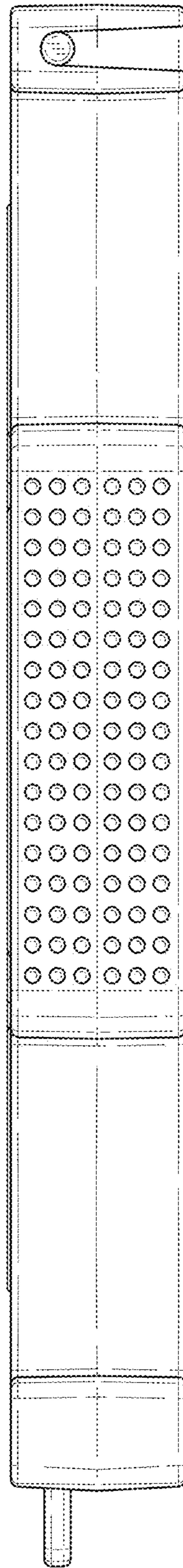


FIG. 16

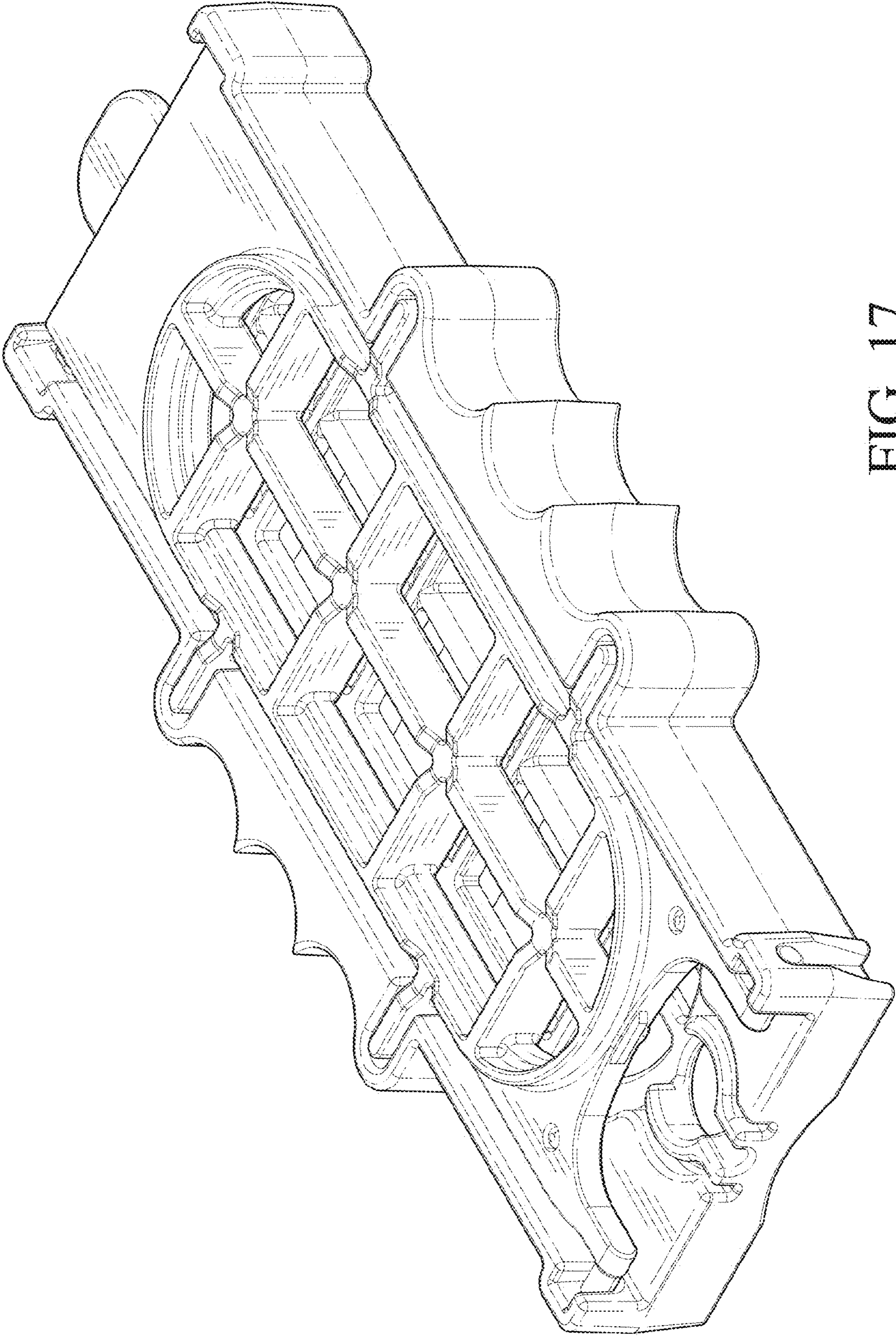


FIG. 17

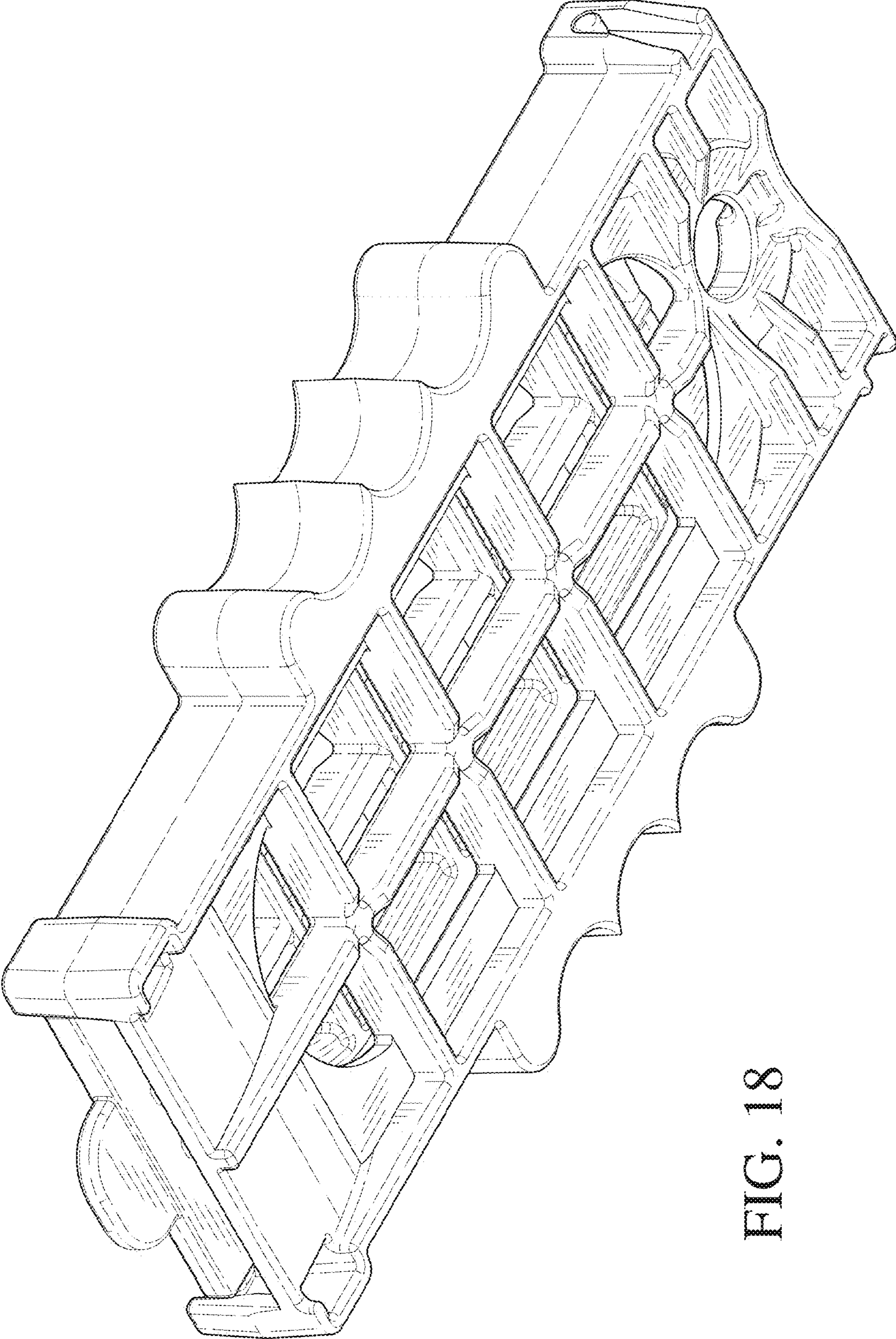


FIG. 18

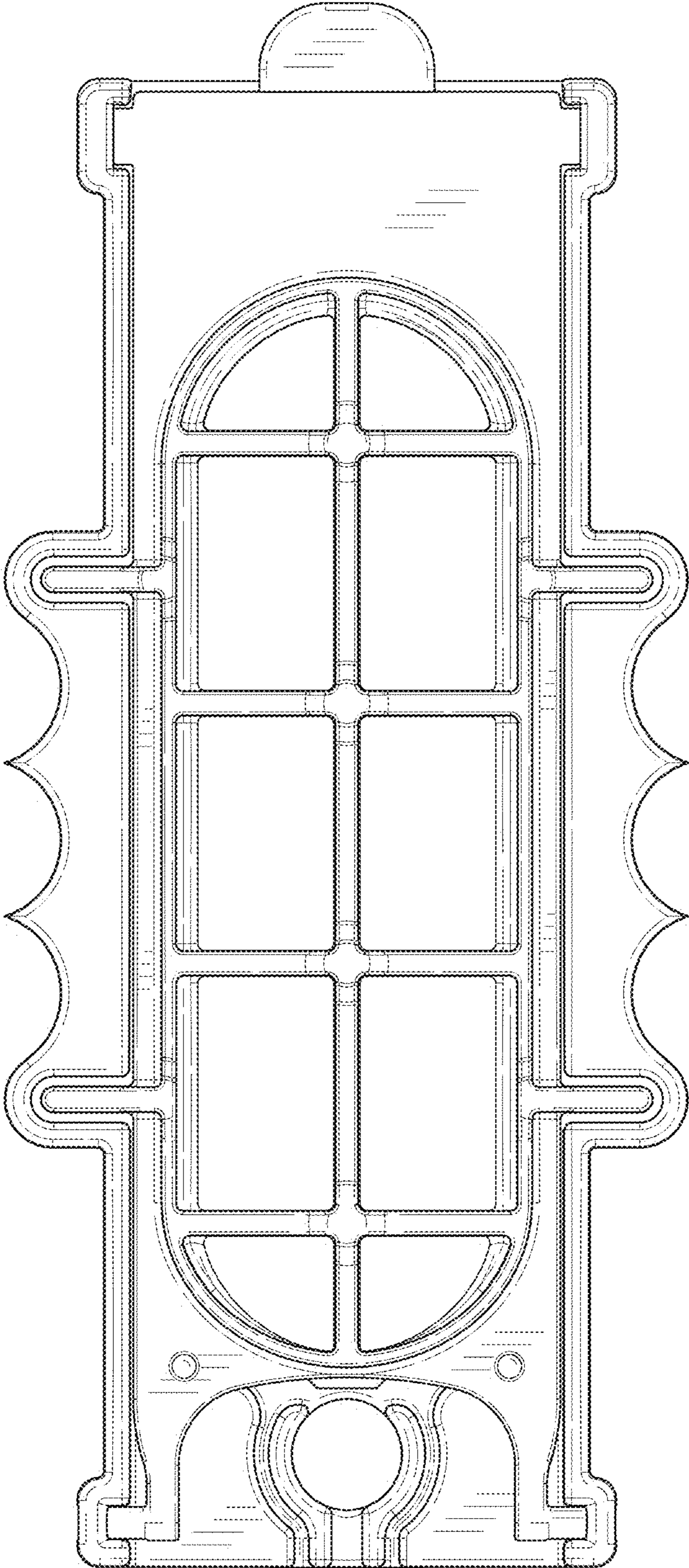


FIG. 19

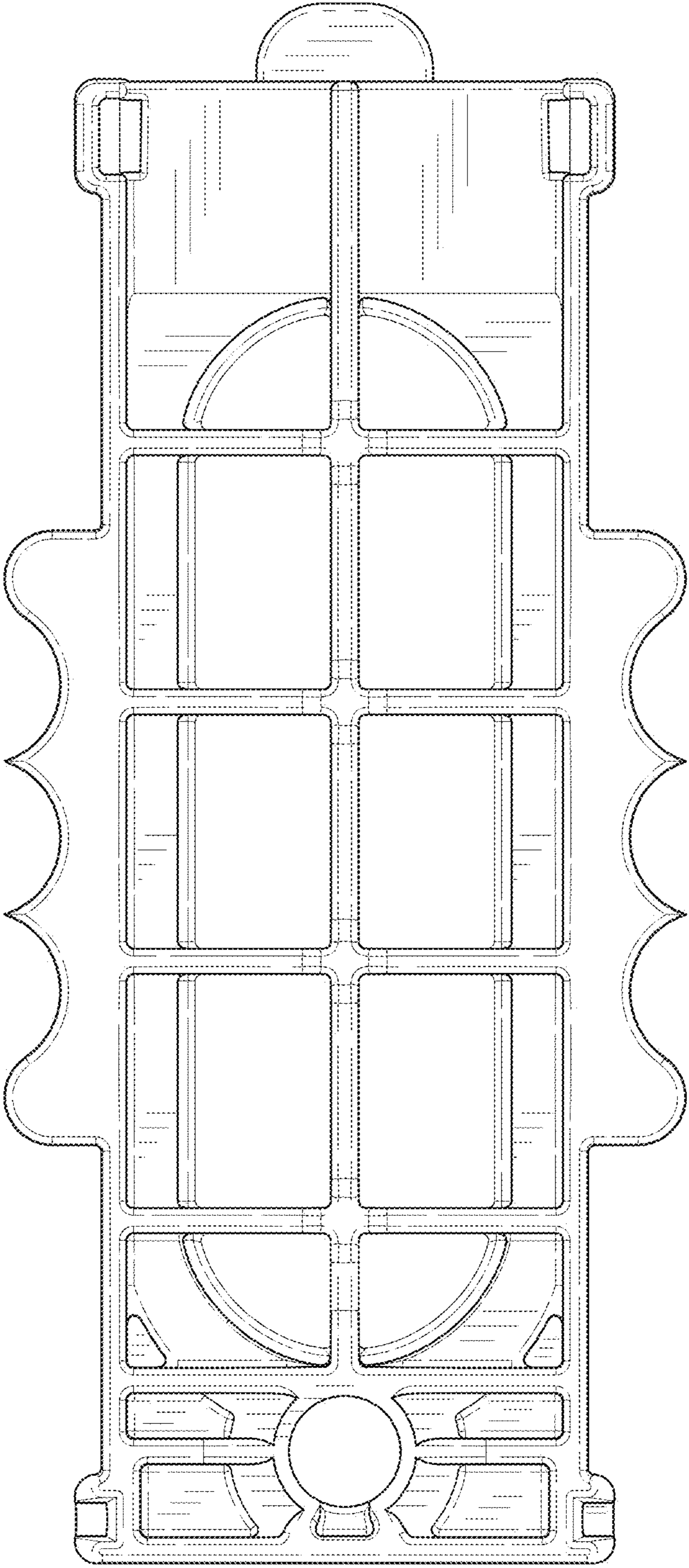


FIG. 20

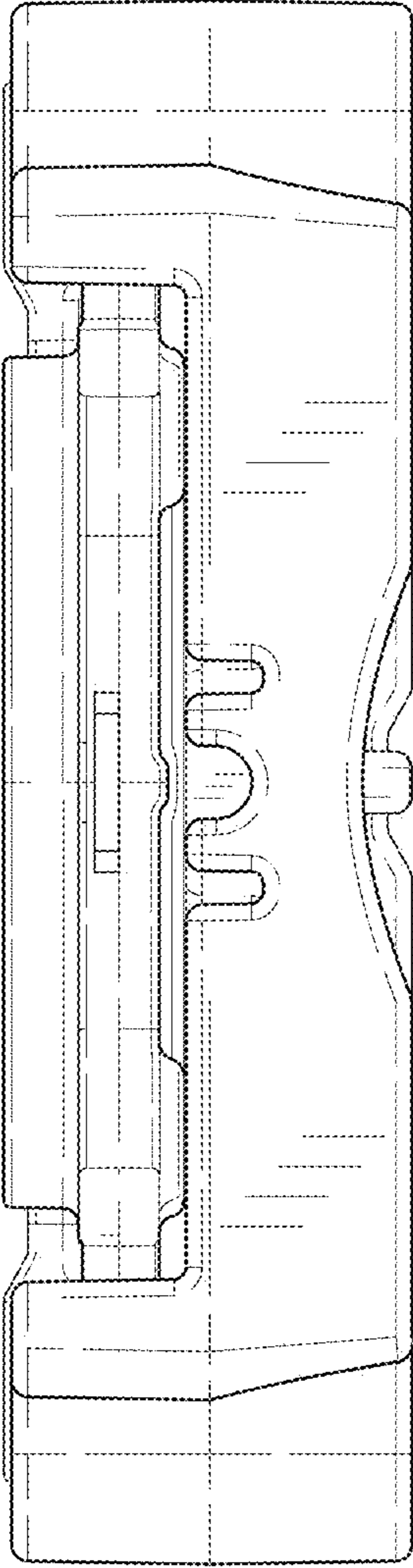


FIG. 21

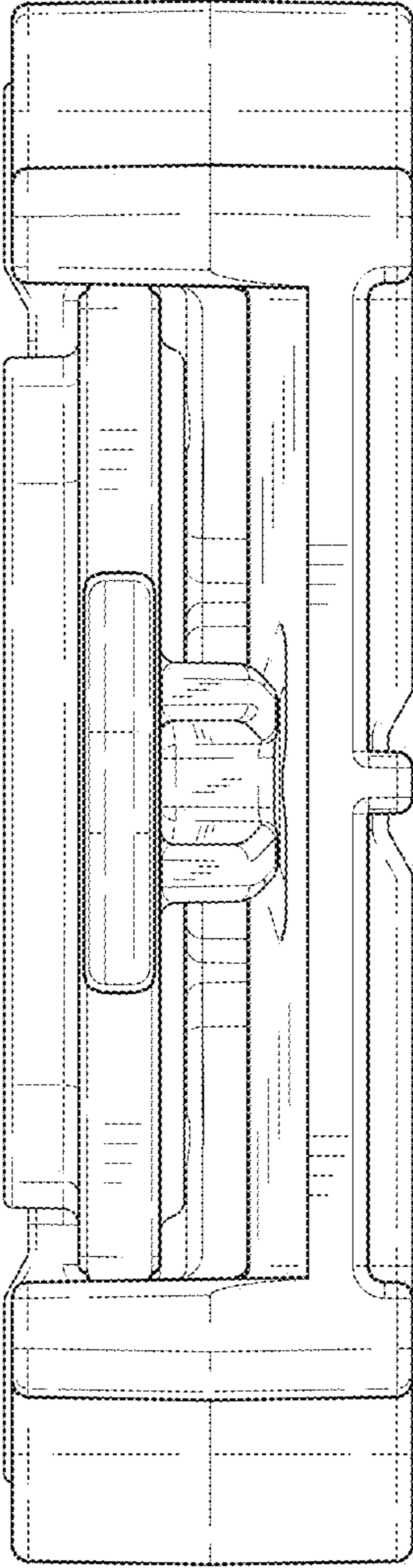


FIG. 22

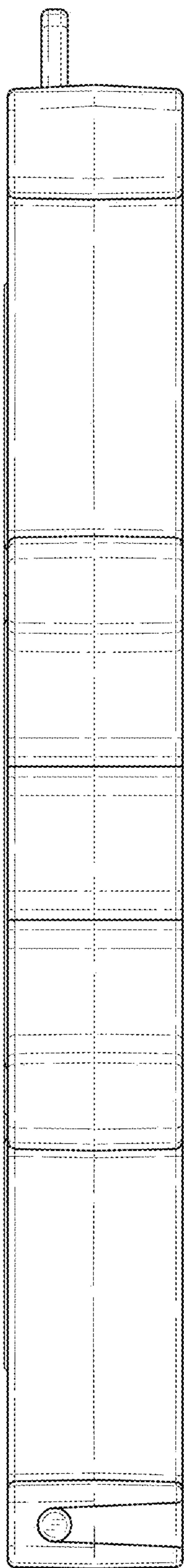


FIG. 23

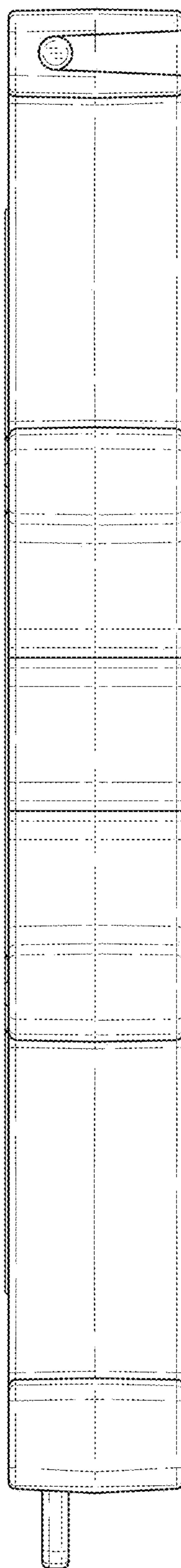


FIG. 24

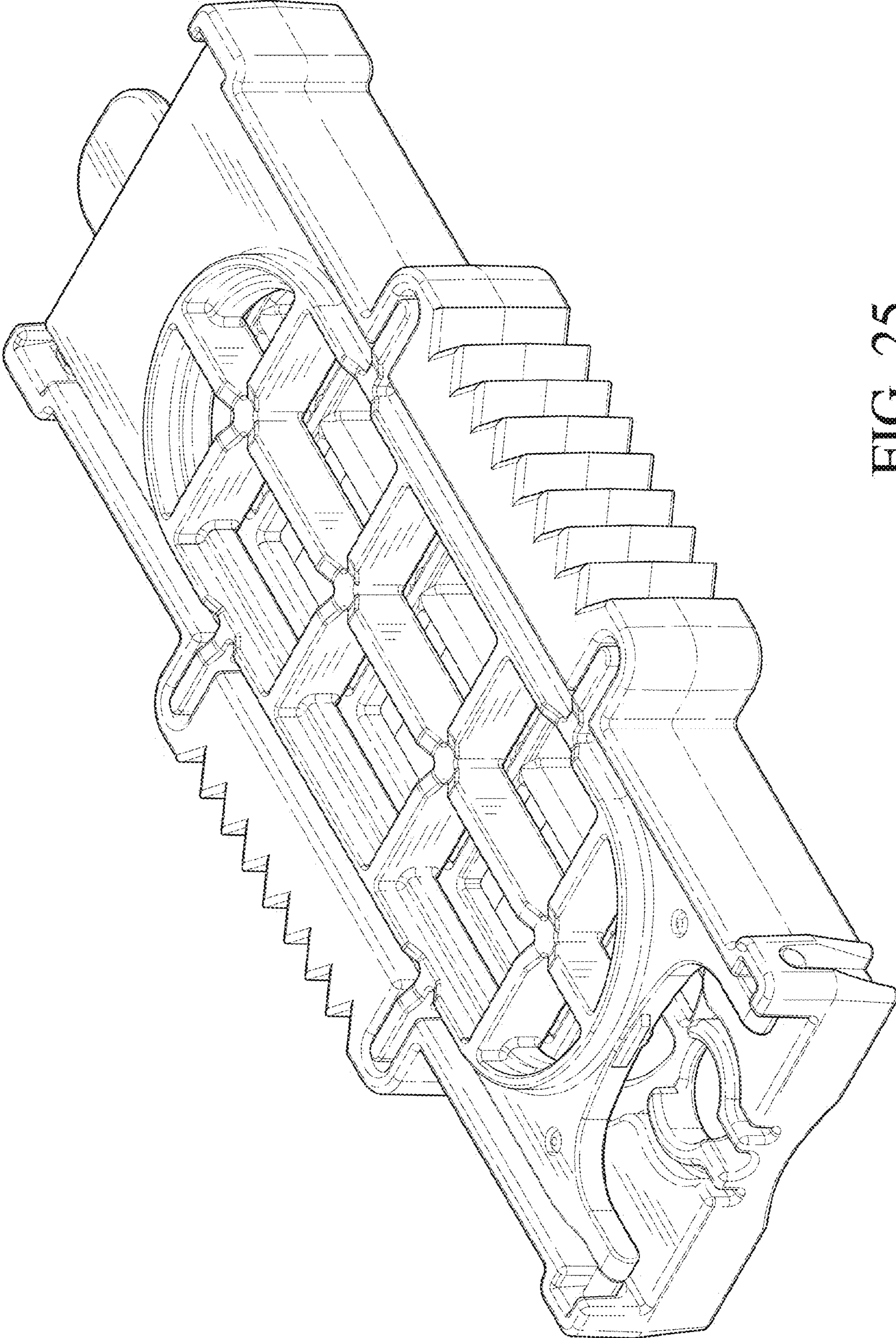


FIG. 25

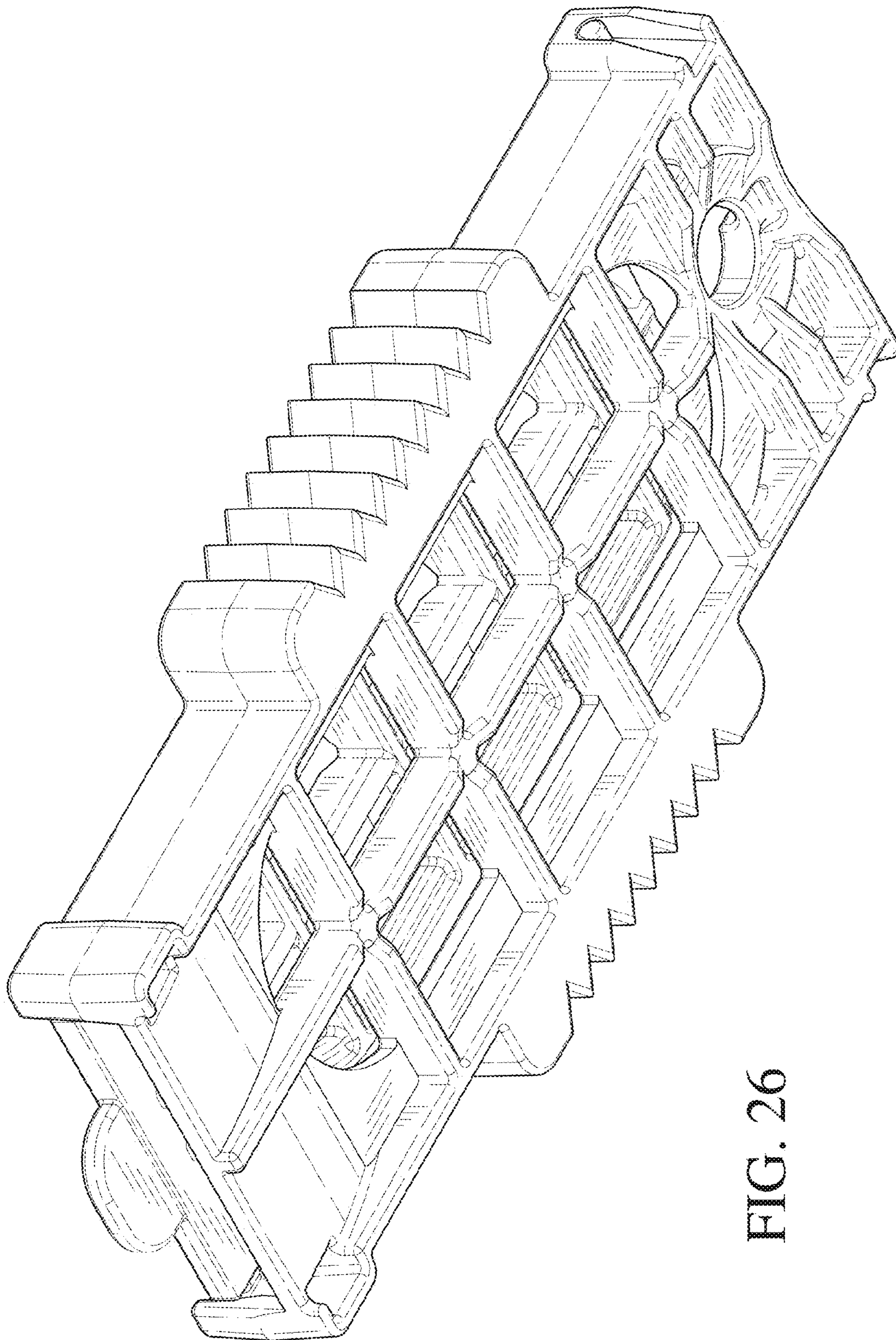


FIG. 26

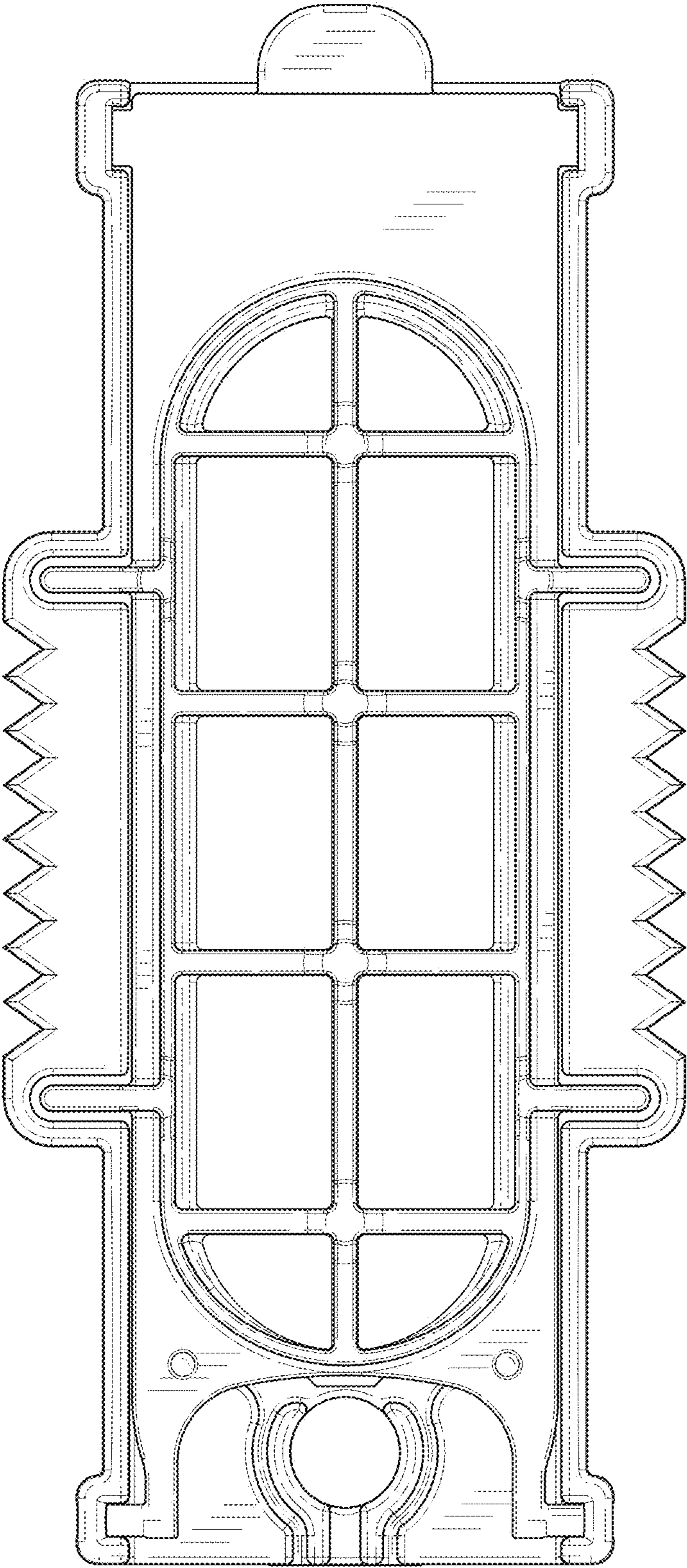


FIG. 27

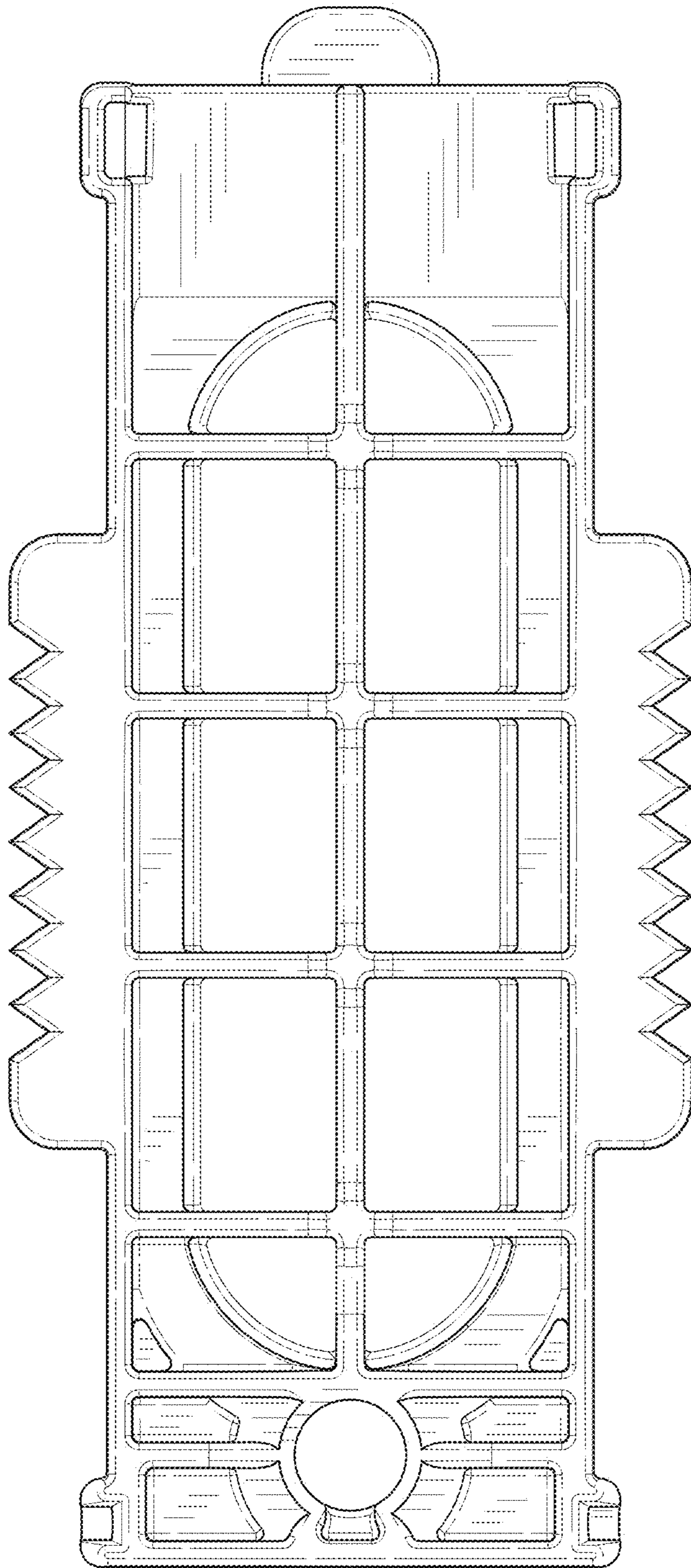


FIG. 28

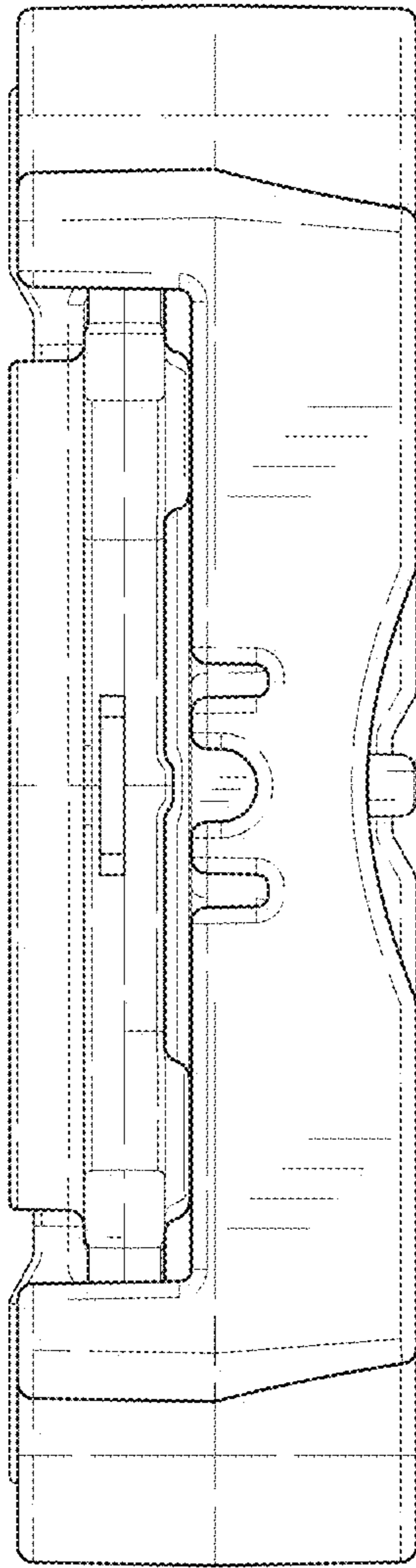


FIG. 29

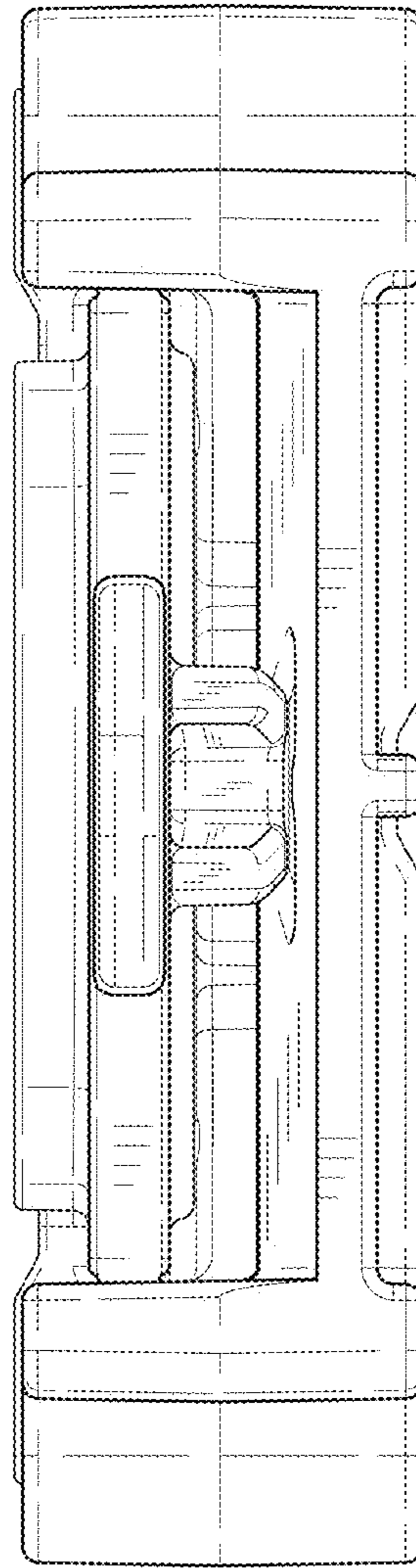


FIG. 30

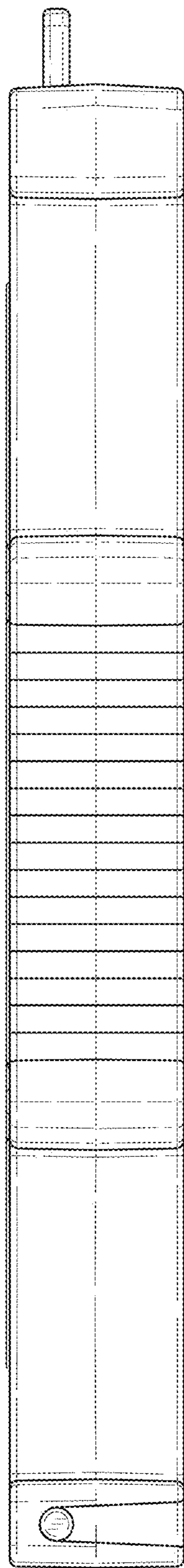


FIG. 31

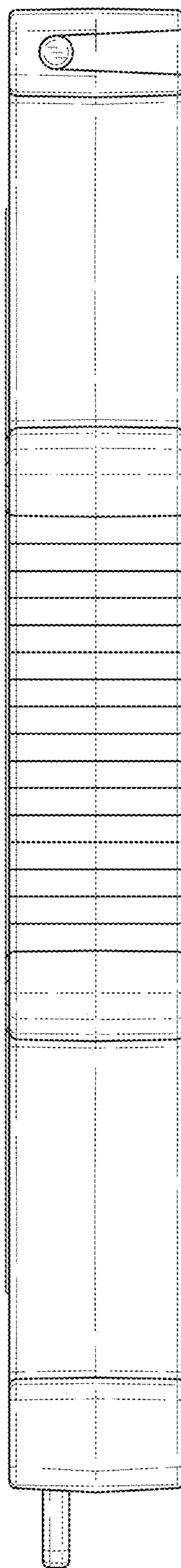


FIG. 32

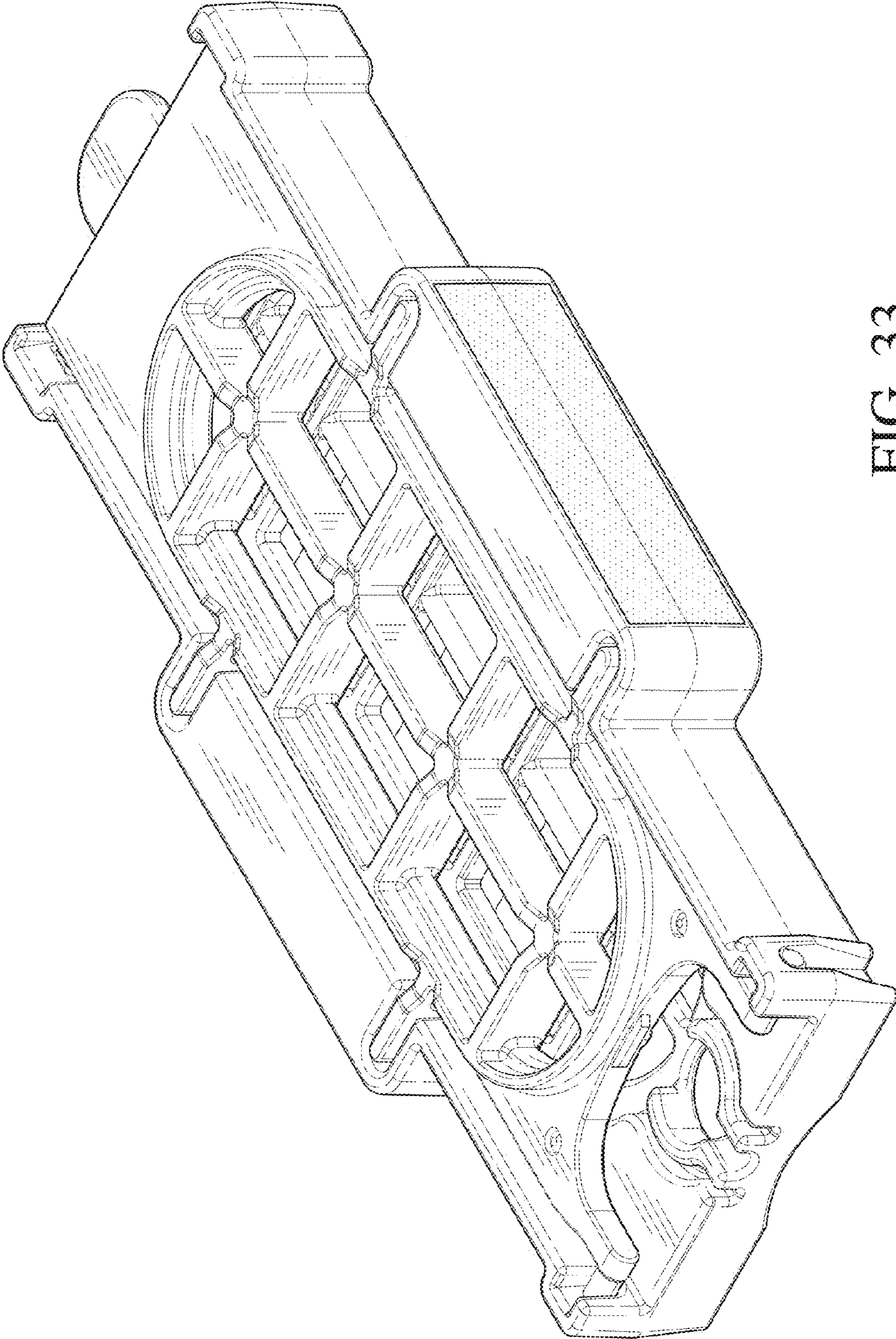


FIG. 33

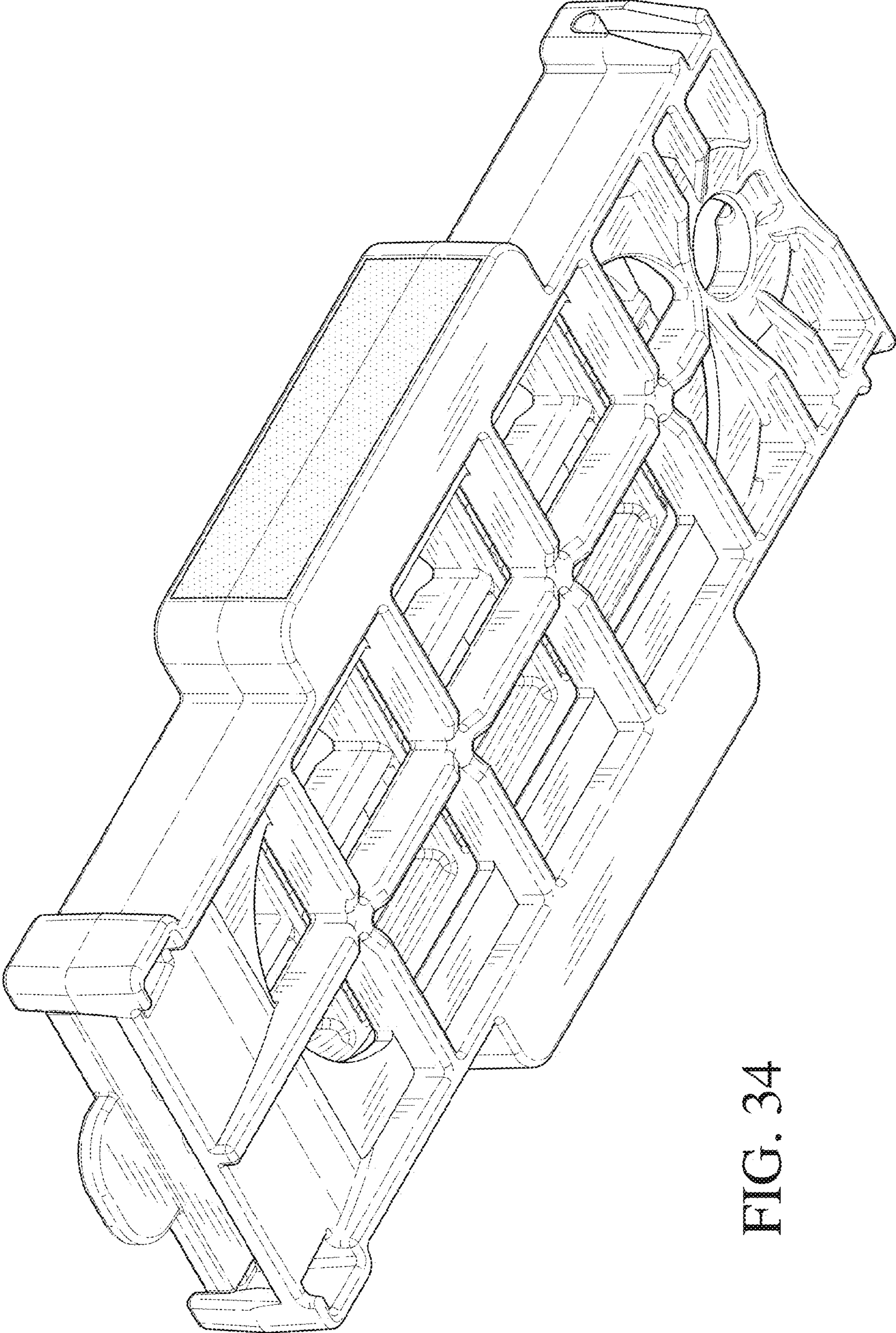


FIG. 34

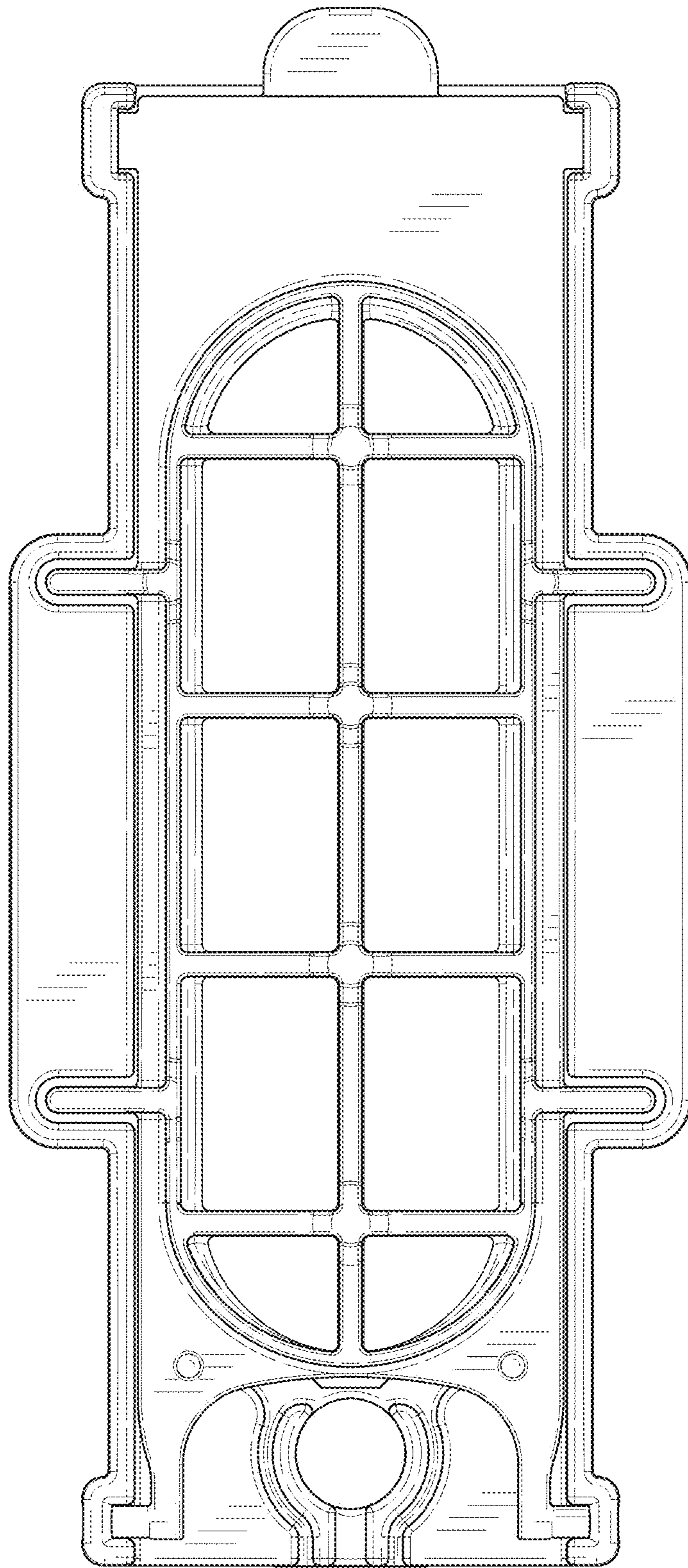


FIG. 35

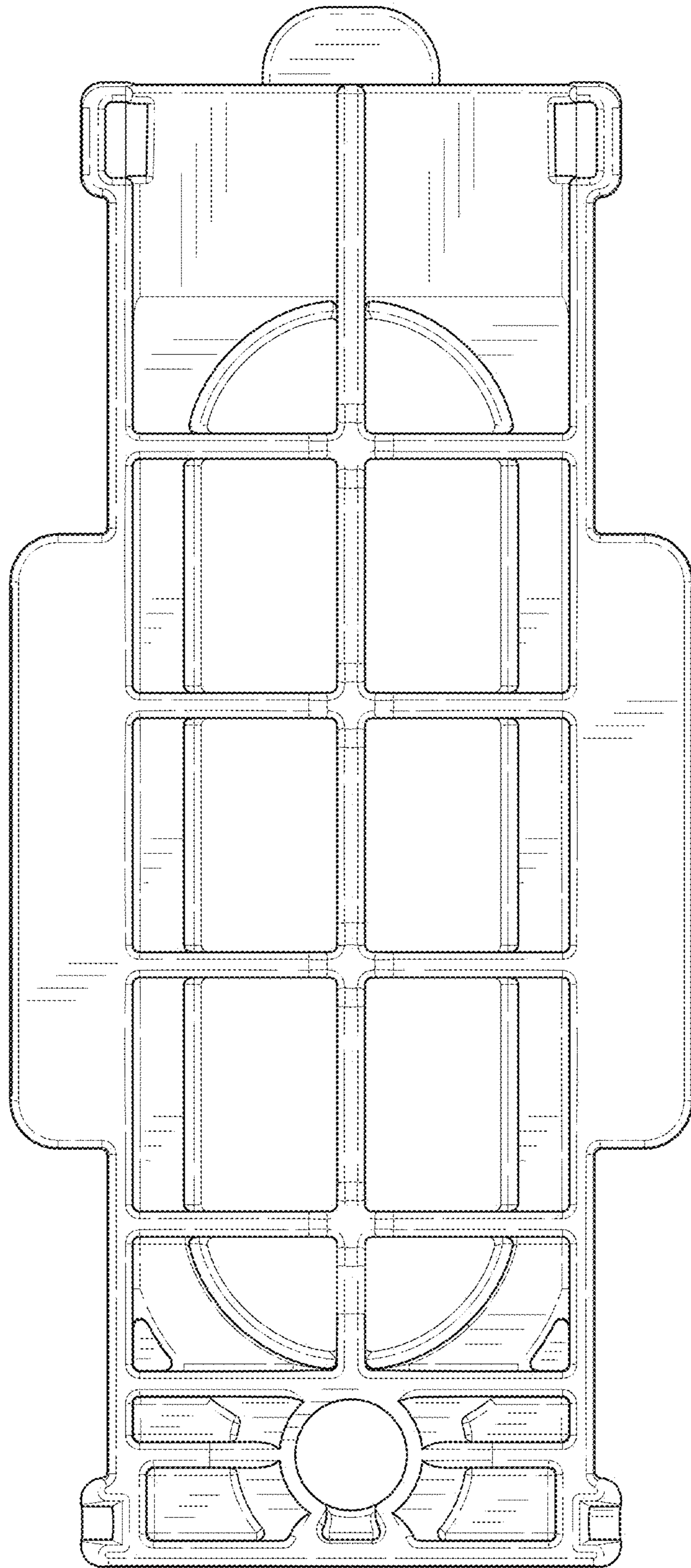


FIG. 36

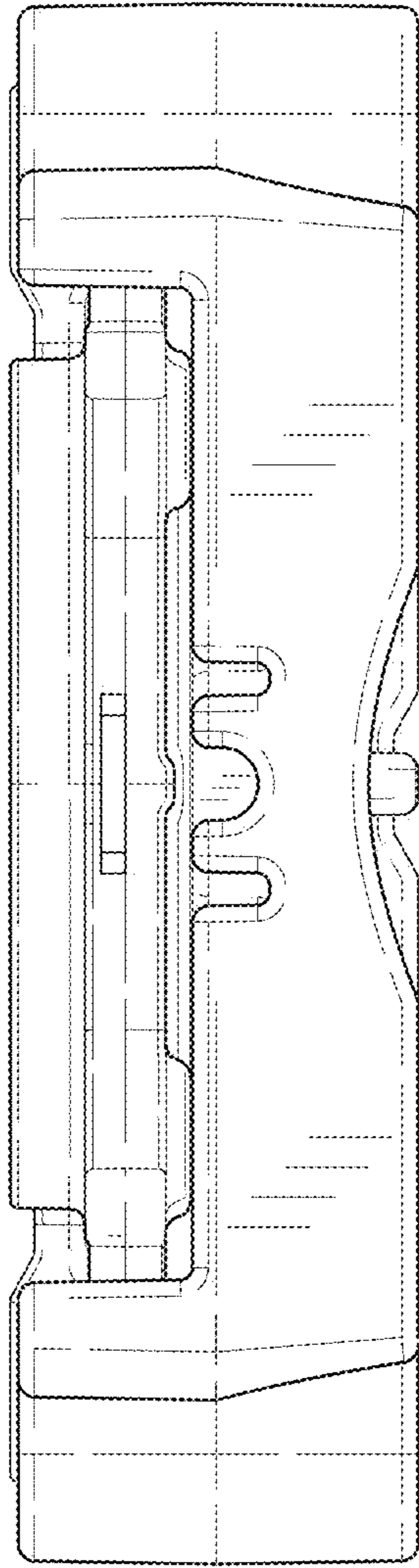


FIG. 37

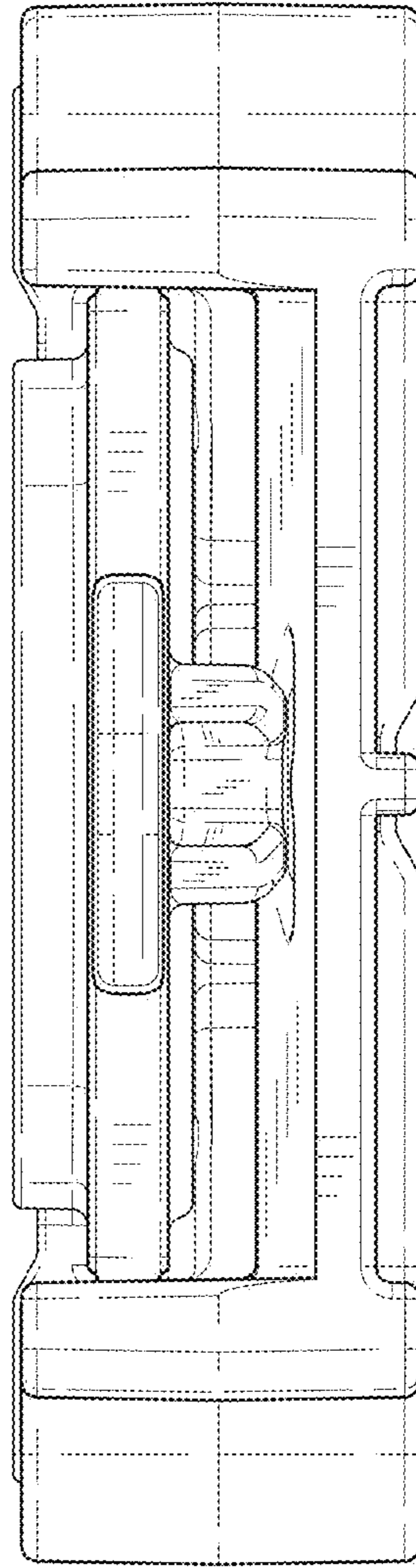


FIG. 38

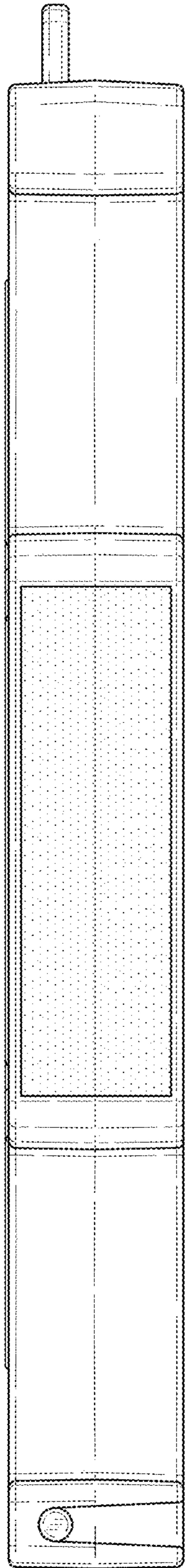


FIG. 39

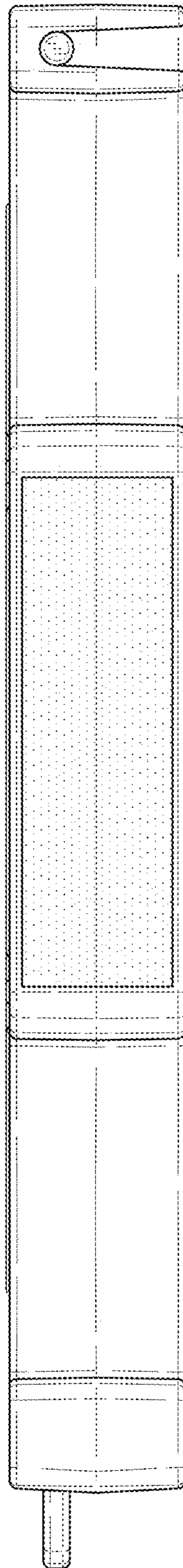


FIG. 40