

US00D760394S

(12) **United States Design Patent**
Pieroni et al.

(10) **Patent No.:** **US D760,394 S**
(45) **Date of Patent:** **** *Jun. 28, 2016**

- (54) **DENTAL MATERIAL DISPENSER
CARTRIDGE AND TIP**
- (71) Applicant: **DENTSPLY International Inc.**, York,
PA (US)
- (72) Inventors: **Robert J. Pieroni**, Milford, DE (US);
Andrew J. Coste, Swarthmore, PA (US)
- (*) Notice: This patent is subject to a terminal dis-
claimer.
- (**) Term: **14 Years**
- (21) Appl. No.: **29/470,442**
- (22) Filed: **Oct. 22, 2013**

Related U.S. Application Data

- (63) Continuation of application No. 29/468,521, filed on
Oct. 1, 2013.
- (51) **LOC (10) Cl.** **24-02**
- (52) **U.S. Cl.**
USPC **D24/176**
- (58) **Field of Classification Search**
USPC D24/152, 176, 112, 127, 133; 433/80,
433/89-90, 141; 604/232
CPC A61C 5/062; A61C 5/064; A61C 5/066;
A61C 9/0026; A61C 19/004
See application file for complete search history.

References Cited

U.S. PATENT DOCUMENTS

- D224,655 S * 8/1972 Dragan D24/112
- 4,813,871 A * 3/1989 Friedman 433/90

- D300,561 S * 4/1989 Asa et al. D24/112
- D324,267 S * 2/1992 Smitt D24/112
- 5,324,273 A * 6/1994 Discko, Jr. 433/90
- 6,095,814 A * 8/2000 Petrich et al. 433/90
- 6,135,771 A * 10/2000 Dragan et al. 433/90
- D456,078 S * 4/2002 Peterson et al. D24/152
- D460,822 S * 7/2002 Dragan et al. D24/152
- 6,510,970 B2 * 1/2003 McLean et al. 433/80
- D504,948 S * 5/2005 Dragan et al. D24/152
- 8,602,260 B2 * 12/2013 Pierson A61C 9/0026
222/102
- 8,616,879 B2 * 12/2013 Dubey et al. 433/80
- D711,542 S * 8/2014 Pierson D24/176
- D737,958 S * 9/2015 Pieroni D24/112
- 9,283,059 B2 * 3/2016 Pierson A61C 9/0026
- 2007/0015106 A1 * 1/2007 Bertl et al. 433/80
- 2013/0260335 A1 * 10/2013 Peuker et al. 433/90

* cited by examiner

Primary Examiner — Wan Laymon

(74) *Attorney, Agent, or Firm* — McNeas Wallace & Nurick
LLC

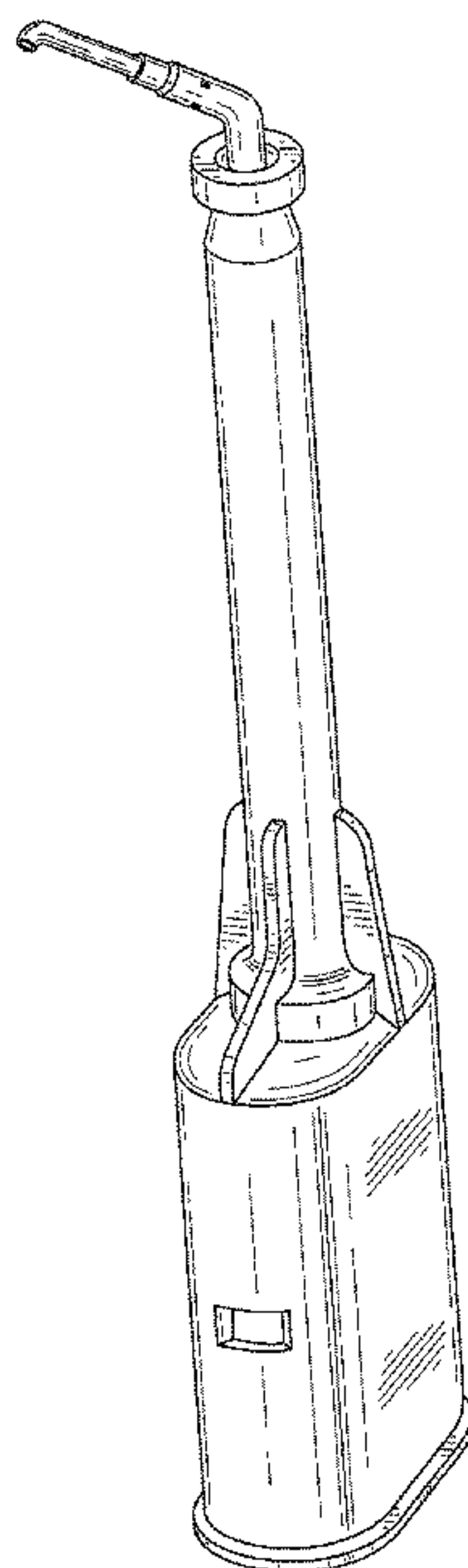
(57) **CLAIM**

The ornamental design for a dental material dispenser car-
tridge and tip, as shown and described.

DESCRIPTION

FIG. 1 is an isometric view of a dental material dispenser
cartridge and tip showing our new design;
FIG. 2 is a rear view thereof;
FIG. 3 is a front view thereof;
FIG. 4 is a first side view thereof;
FIG. 5 is a second side view thereof;
FIG. 6 is a top view thereof; and,
FIG. 7 is a bottom view thereof, portions shown in broken
lines forming no part of the claimed design.

1 Claim, 5 Drawing Sheets



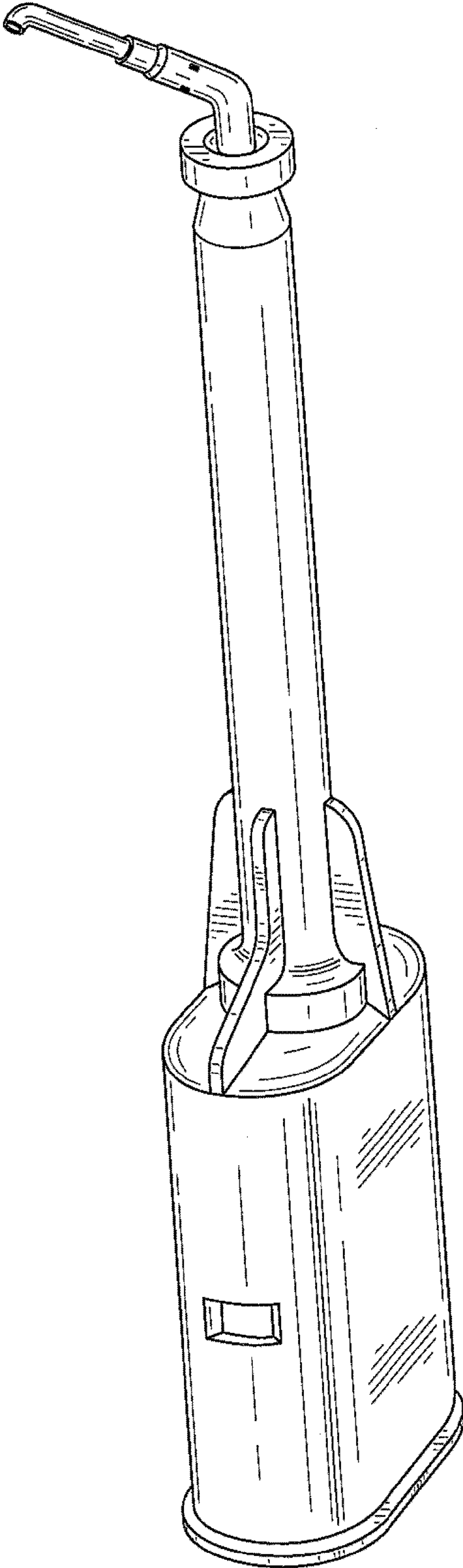


FIG. 1

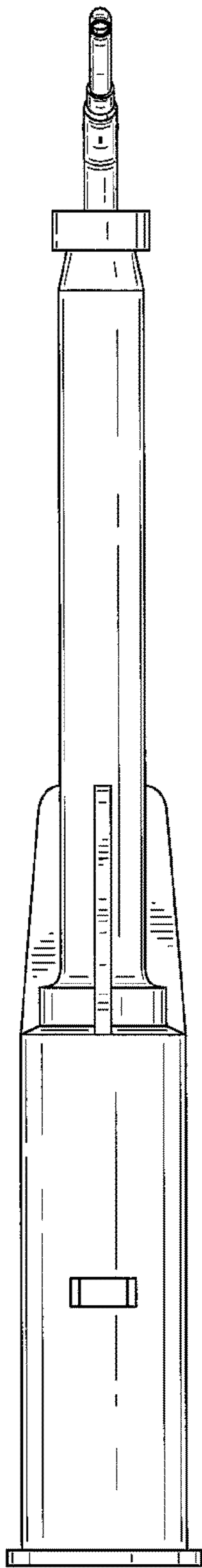


FIG. 2

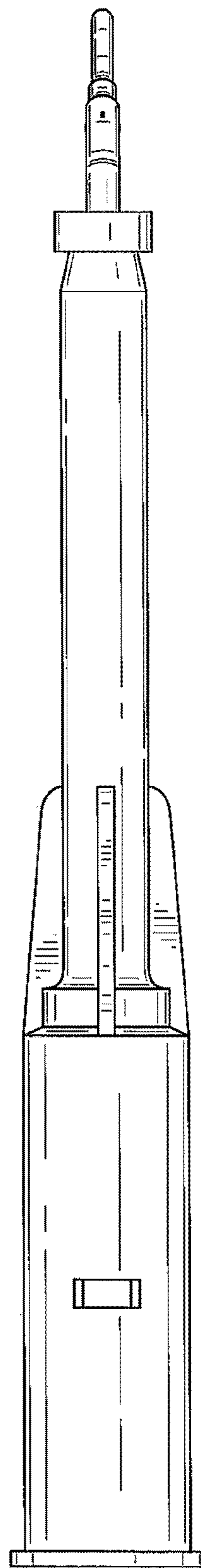


FIG. 3

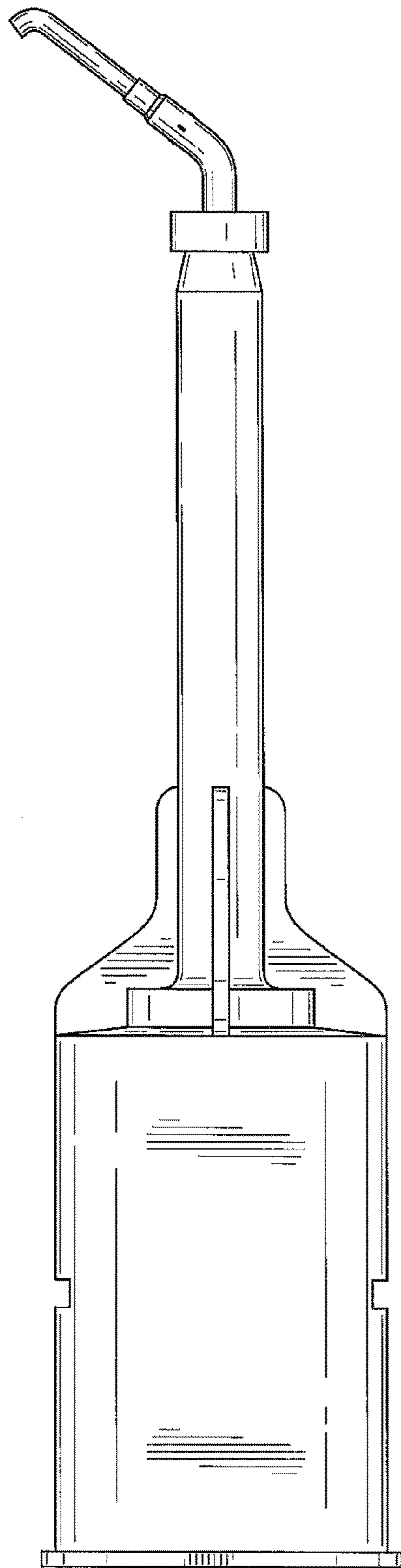


FIG. 4

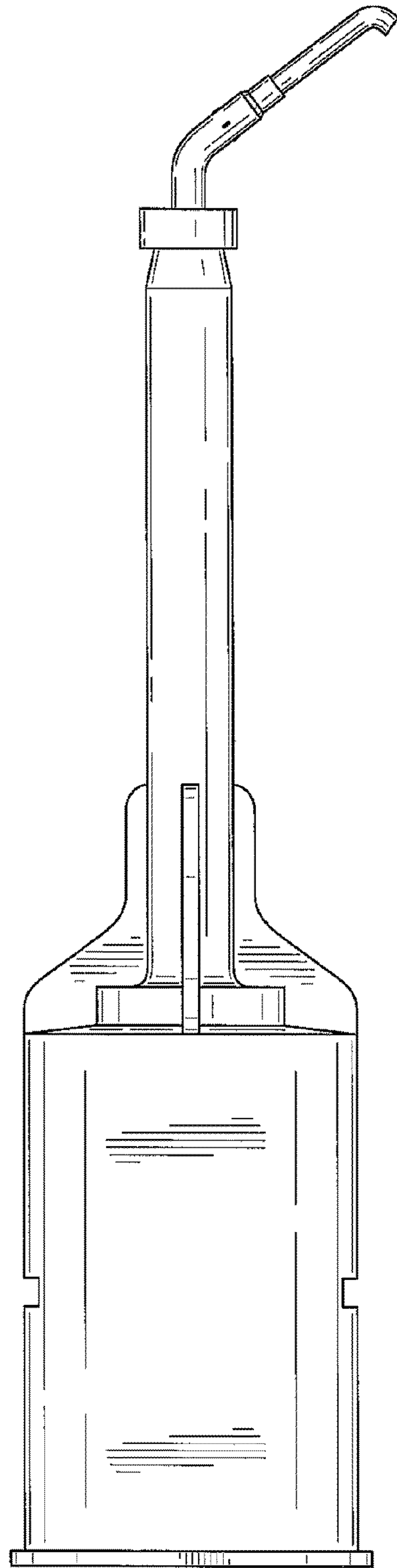


FIG. 5

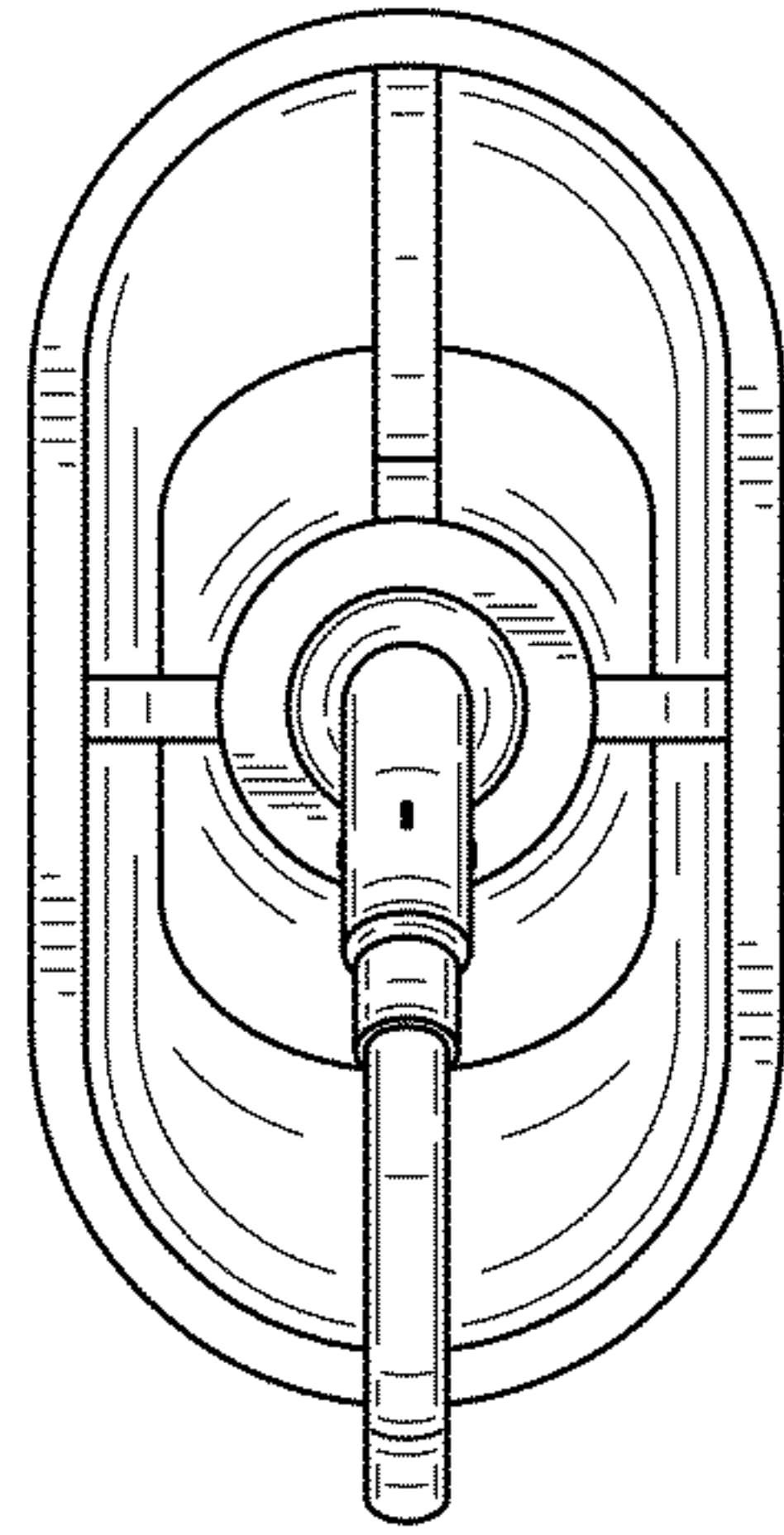


FIG. 6

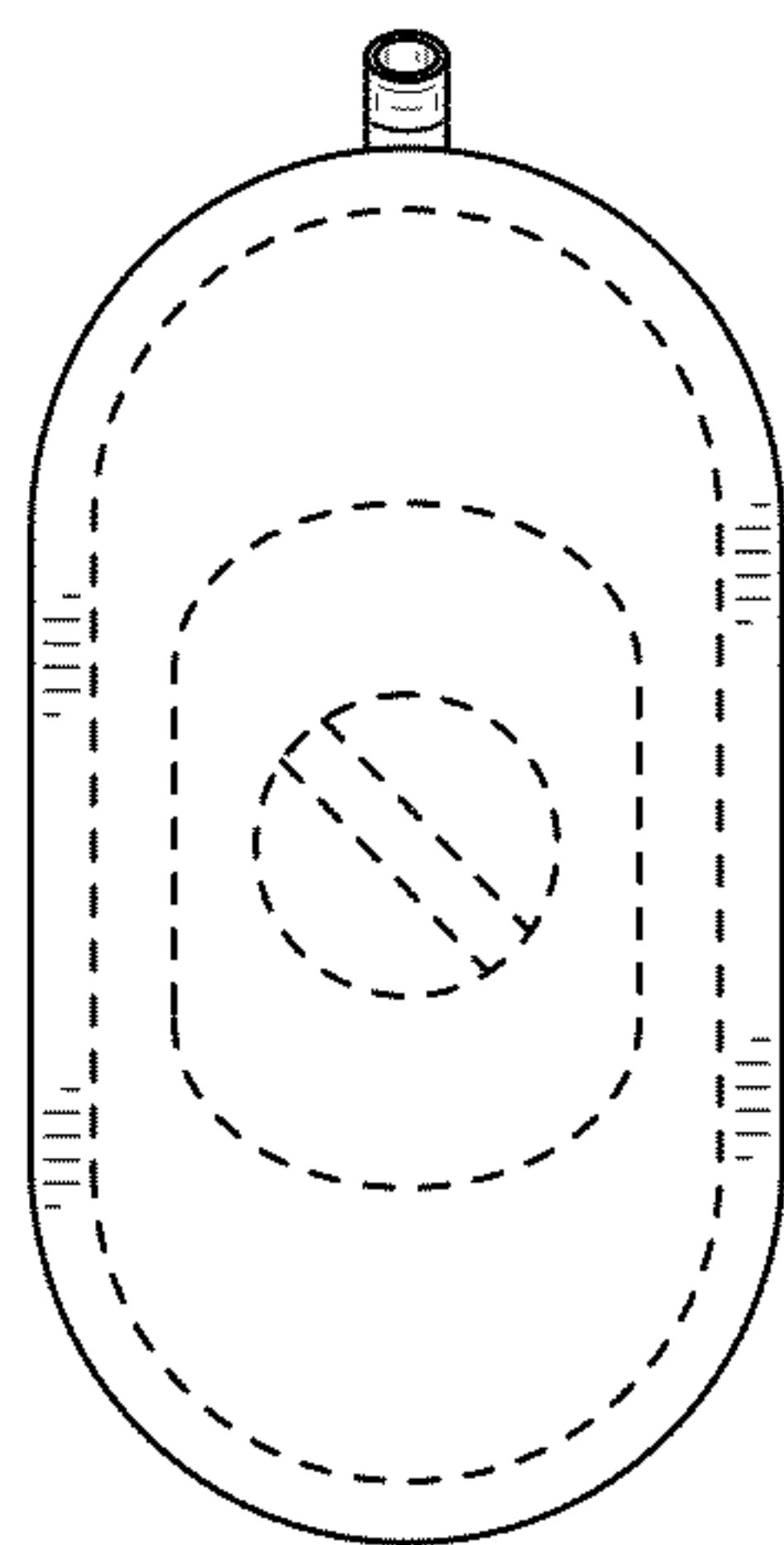


FIG. 7