



US00D760392S

(12) **United States Design Patent**
Jurkiewicz

(10) **Patent No.:** **US D760,392 S**

(45) **Date of Patent:** **** Jun. 28, 2016**

(54) **EXTERNAL COMPONENT OF A HEARING PROSTHESIS**

8,792,664 B2 *	7/2014	Bewley	H04R 25/00 381/322
2007/0106344 A1 *	5/2007	Darley	H04R 25/60 607/55
2009/0034769 A1 *	2/2009	Darley	A61N 1/36032 381/328

(71) Applicant: **Cochlear Limited**, Macquarie University, NSW (AU)

* cited by examiner

(72) Inventor: **Tadeusz Jurkiewicz**, Rozelle (AU)

Primary Examiner — Anhdao Doan

(73) Assignee: **Cochlear Limited**, Macquarie University (AU)

(74) *Attorney, Agent, or Firm* — McDonnell Boehnen Hulbert & Berghoff LLP

(**) Term: **15 Years**

(57) **CLAIM**

The ornamental design for an external component of a hearing prosthesis, as shown and described.

(21) Appl. No.: **29/531,479**

DESCRIPTION

(22) Filed: **Jun. 26, 2015**

(51) **LOC (10) Cl.** **24-99**

(52) **U.S. Cl.**
USPC **D24/174**

(58) **Field of Classification Search**
USPC D24/173–175; D14/205, 223–226, 249
CPC .. H04R 2225/025; H04R 25/60; H04R 25/63;
H04R 25/67; H04R 25/602; H04R 25/604;
H04R 25/608; H04R 25/65; H04R 25/652
See application file for complete search history.

FIG. 1 is a perspective view of a first embodiment of an external component of hearing prosthesis;
FIG. 2 is a front view thereof;
FIG. 3 is a rear view thereof;
FIG. 4 is a left side view thereof;
FIG. 5 is a right side view thereof;
FIG. 6 is a top view thereof;
FIG. 7 is bottom view thereof;
FIG. 8 is a perspective view of a second embodiment of the external component of hearing prosthesis;
FIG. 9 is a front view thereof;
FIG. 10 is a rear view thereof;
FIG. 11 is a left side view thereof;
FIG. 12 is a right side view thereof;
FIG. 13 is a top view thereof; and,
FIG. 14 is bottom view thereof.

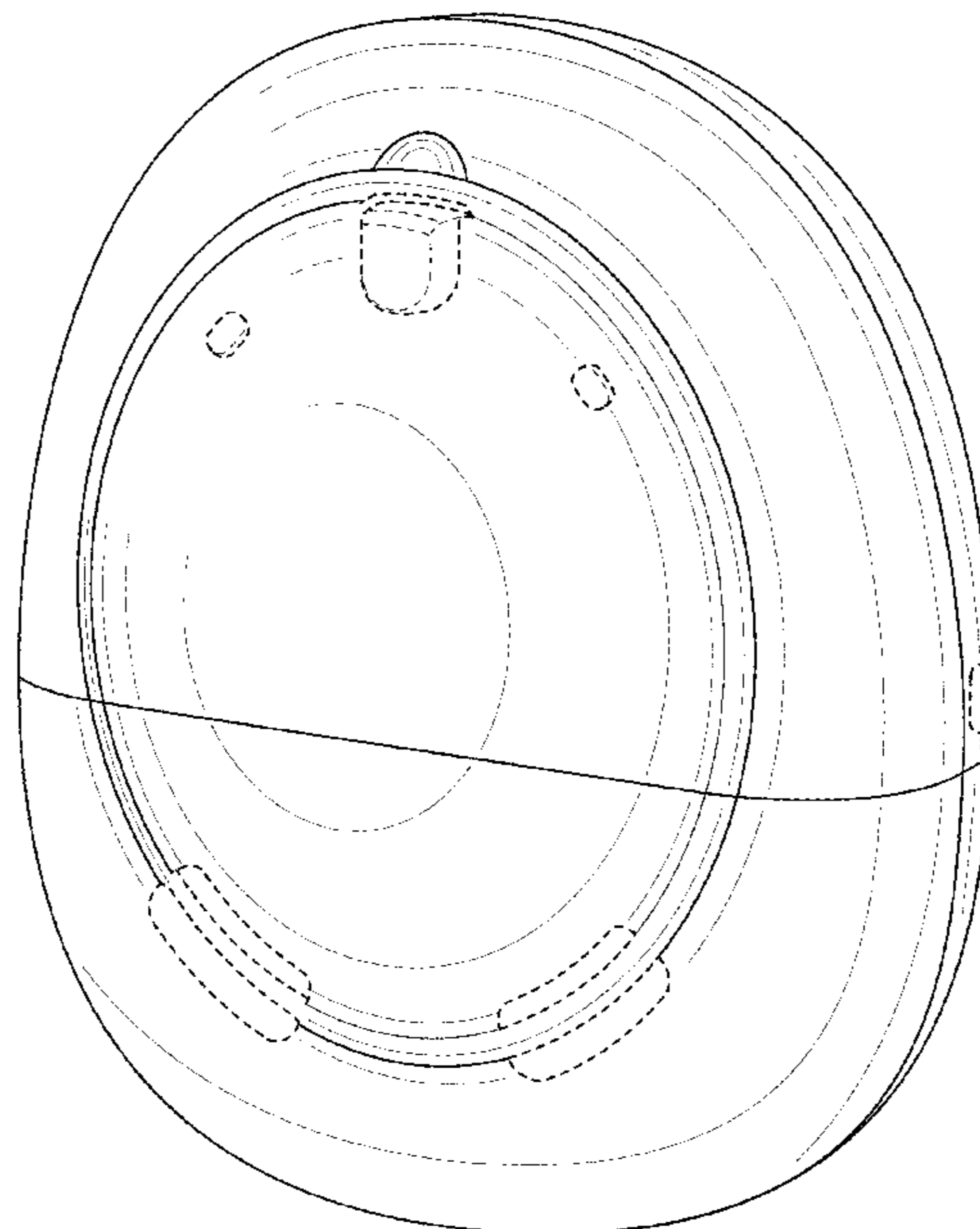
The broken lines showing in the drawing views are for the purpose of illustrating portions of the external component of a hearing prosthesis that form no part of the claimed design.

(56) **References Cited**

U.S. PATENT DOCUMENTS

D528,213 S *	9/2006	Darley	D24/174
D596,295 S *	7/2009	Hedstrom	D24/174
D629,202 S *	12/2010	Wai	D3/201
D691,728 S *	10/2013	Svensson	D24/174

1 Claim, 14 Drawing Sheets



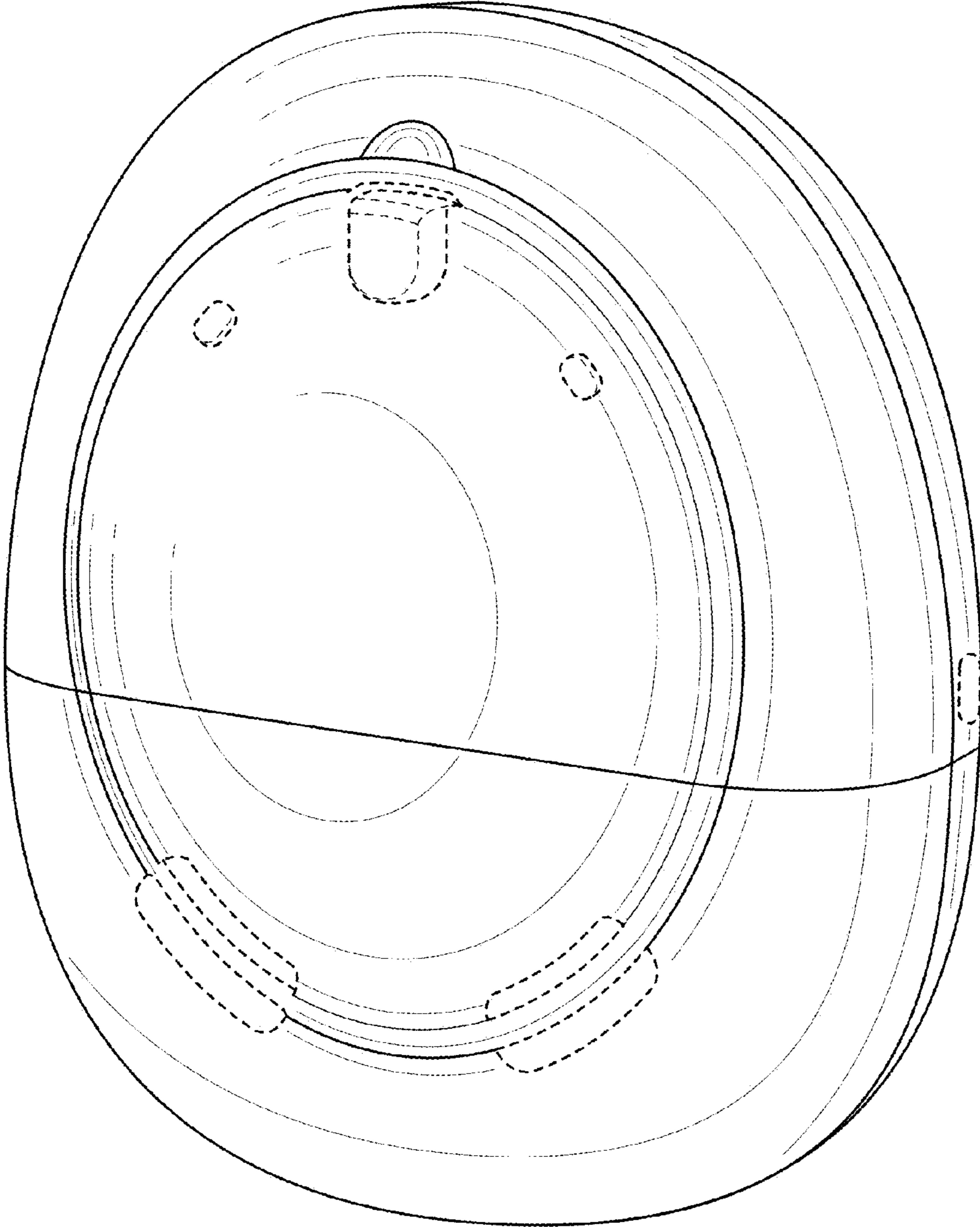


FIG. 1

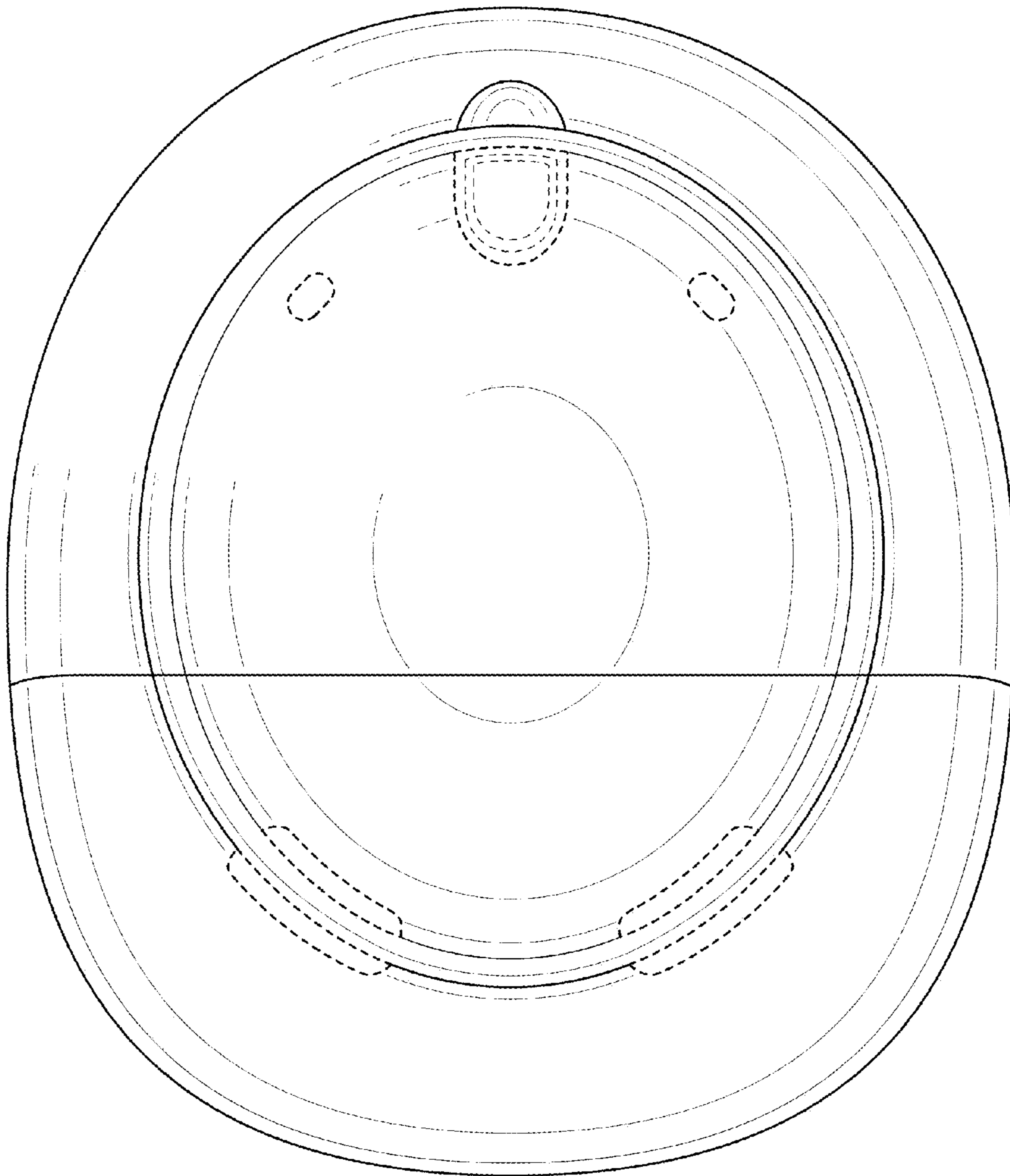


FIG. 2

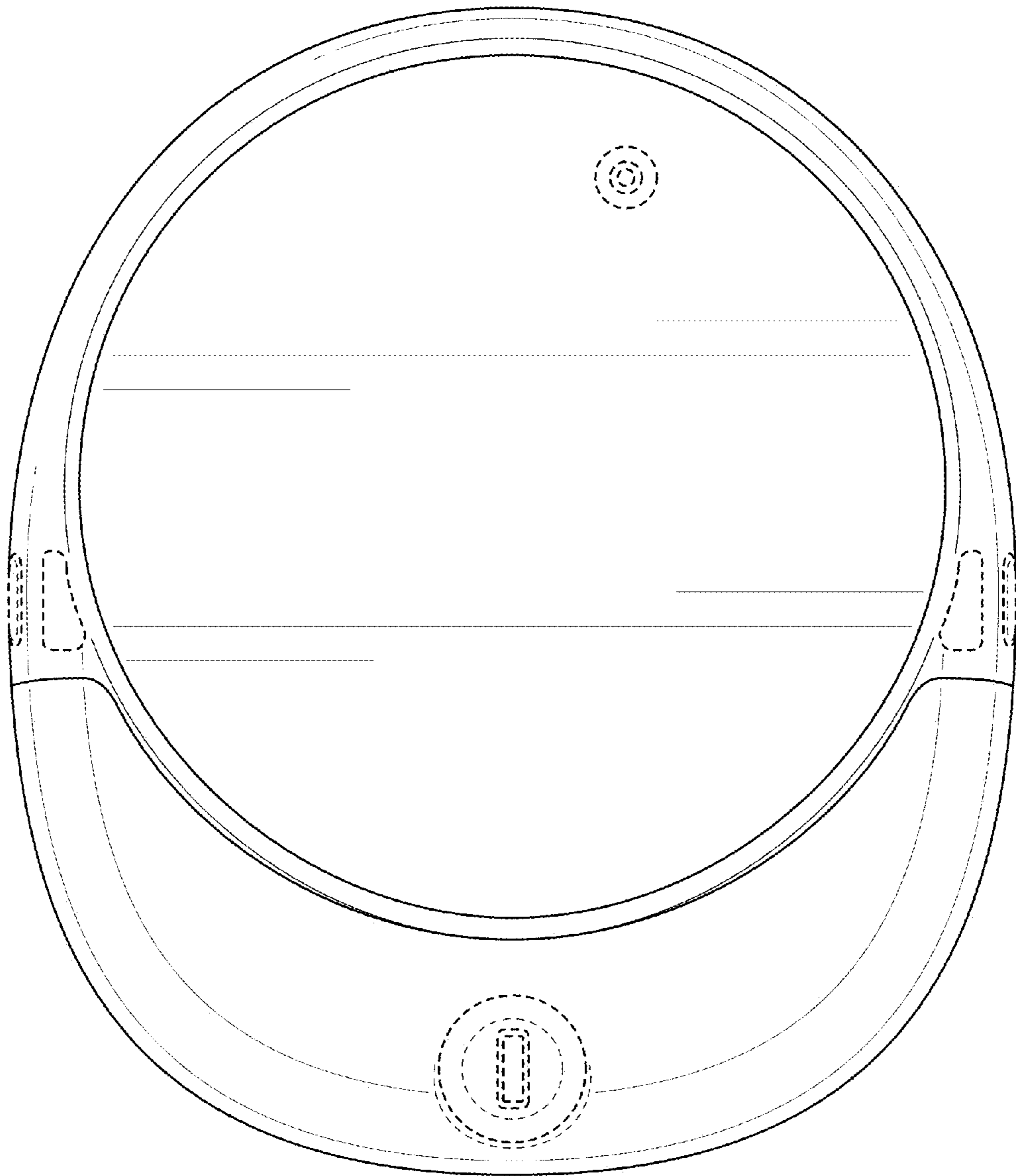


FIG. 3

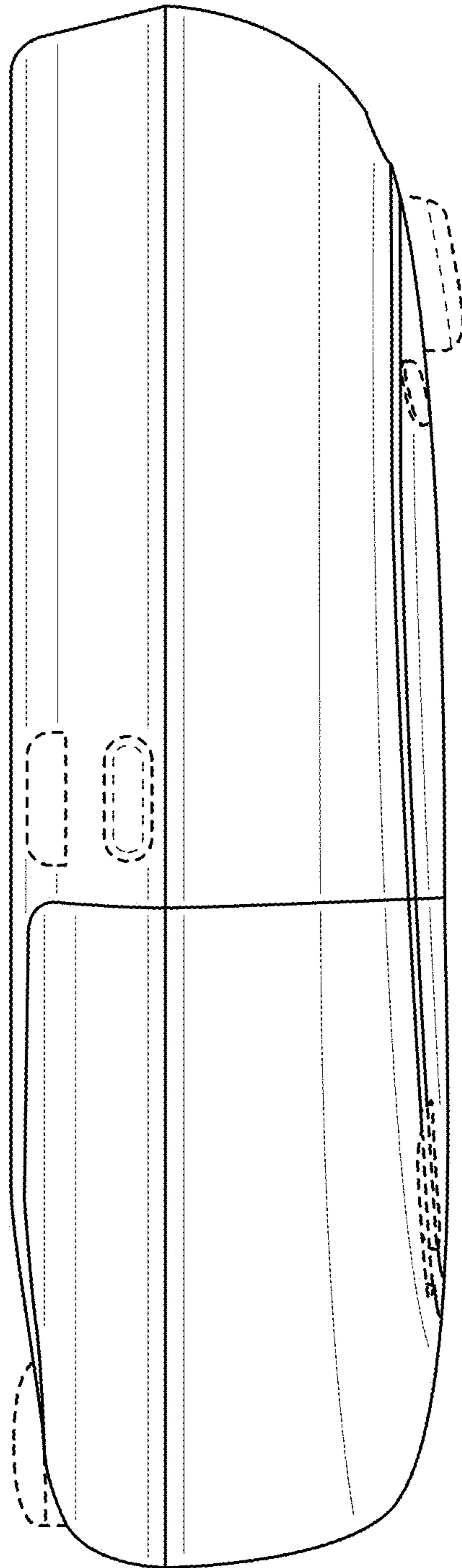


FIG. 4

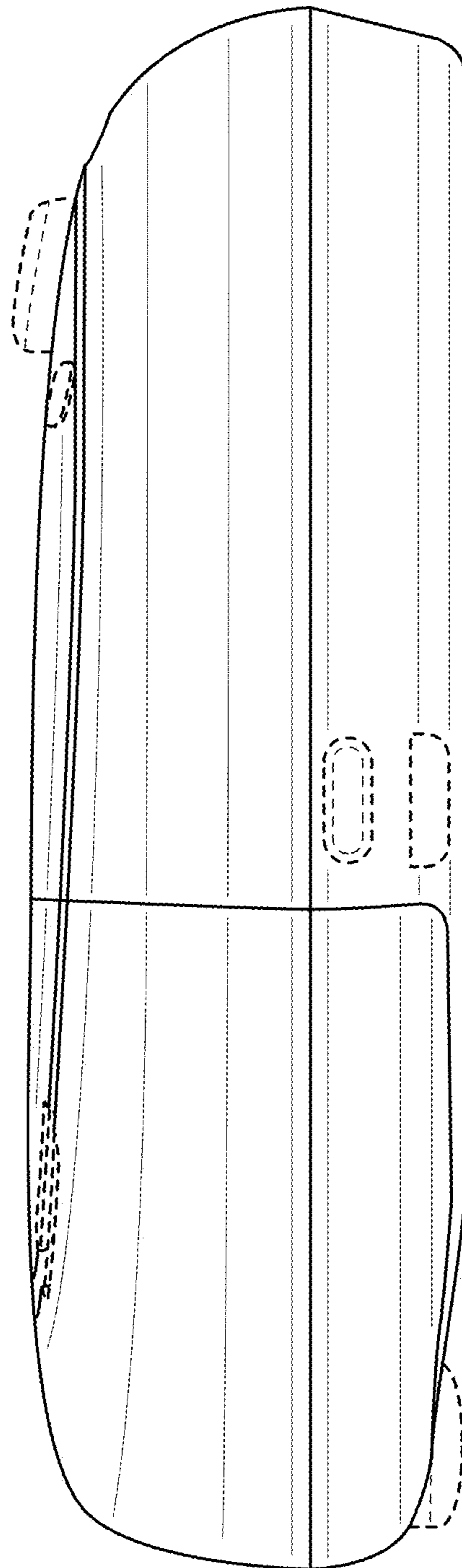


FIG. 5

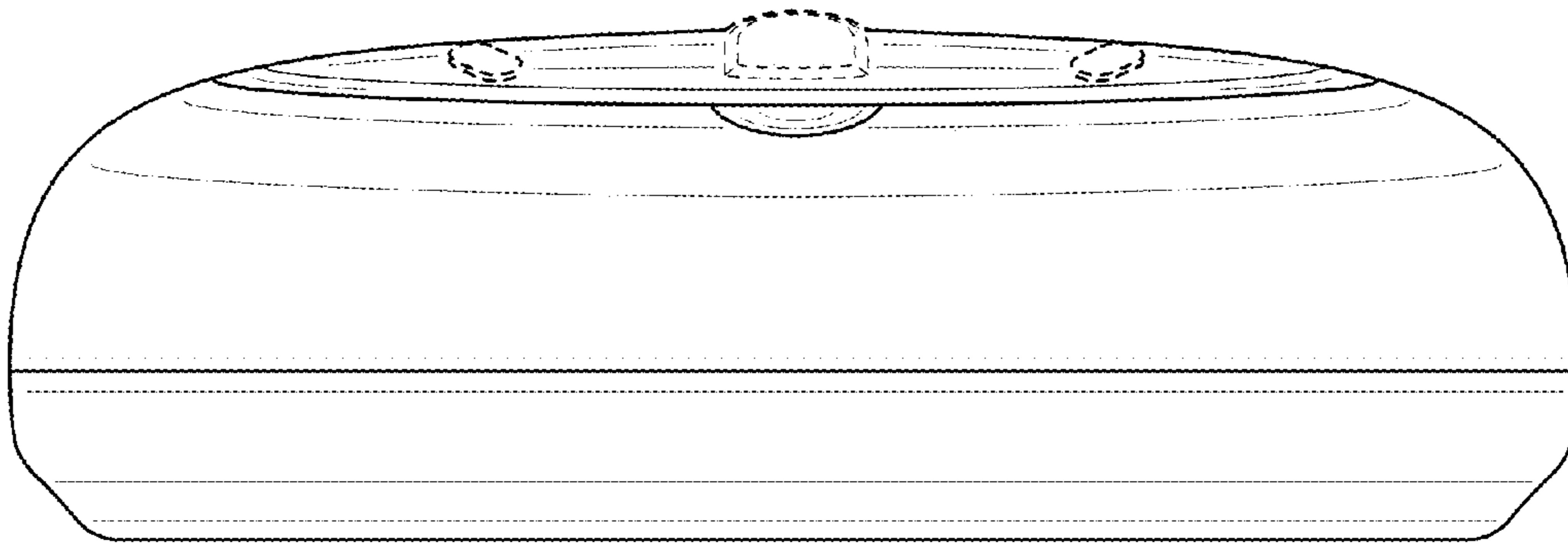


FIG. 6

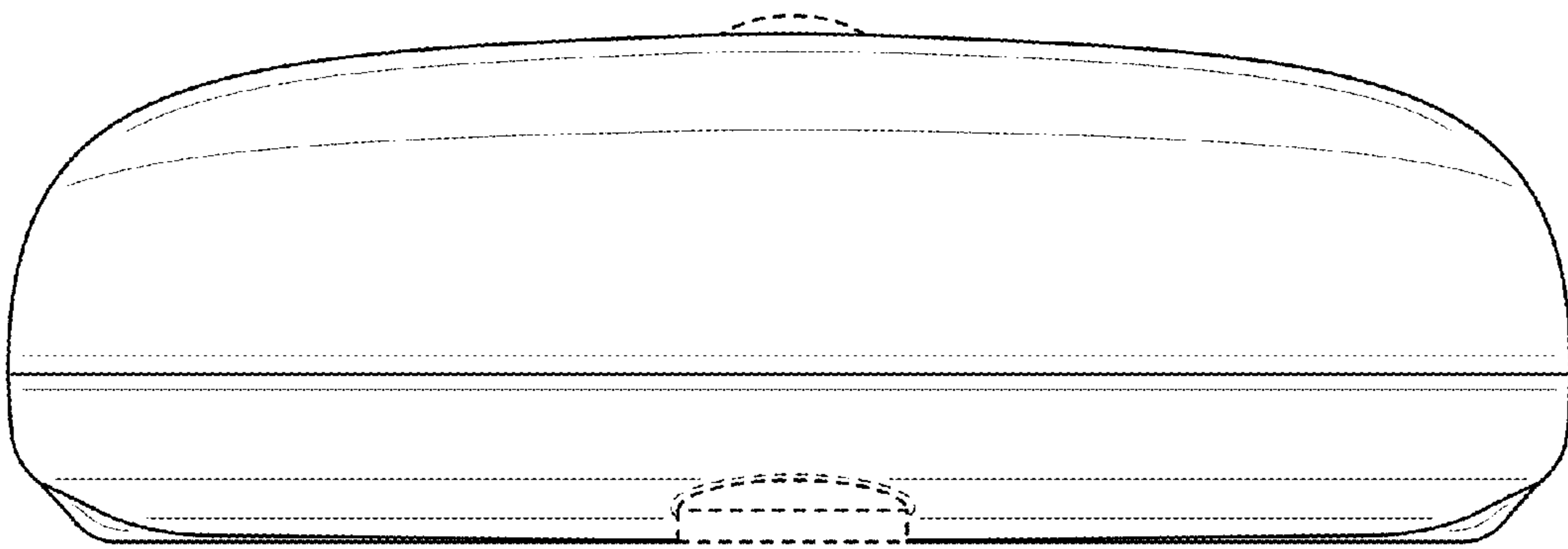


FIG. 7

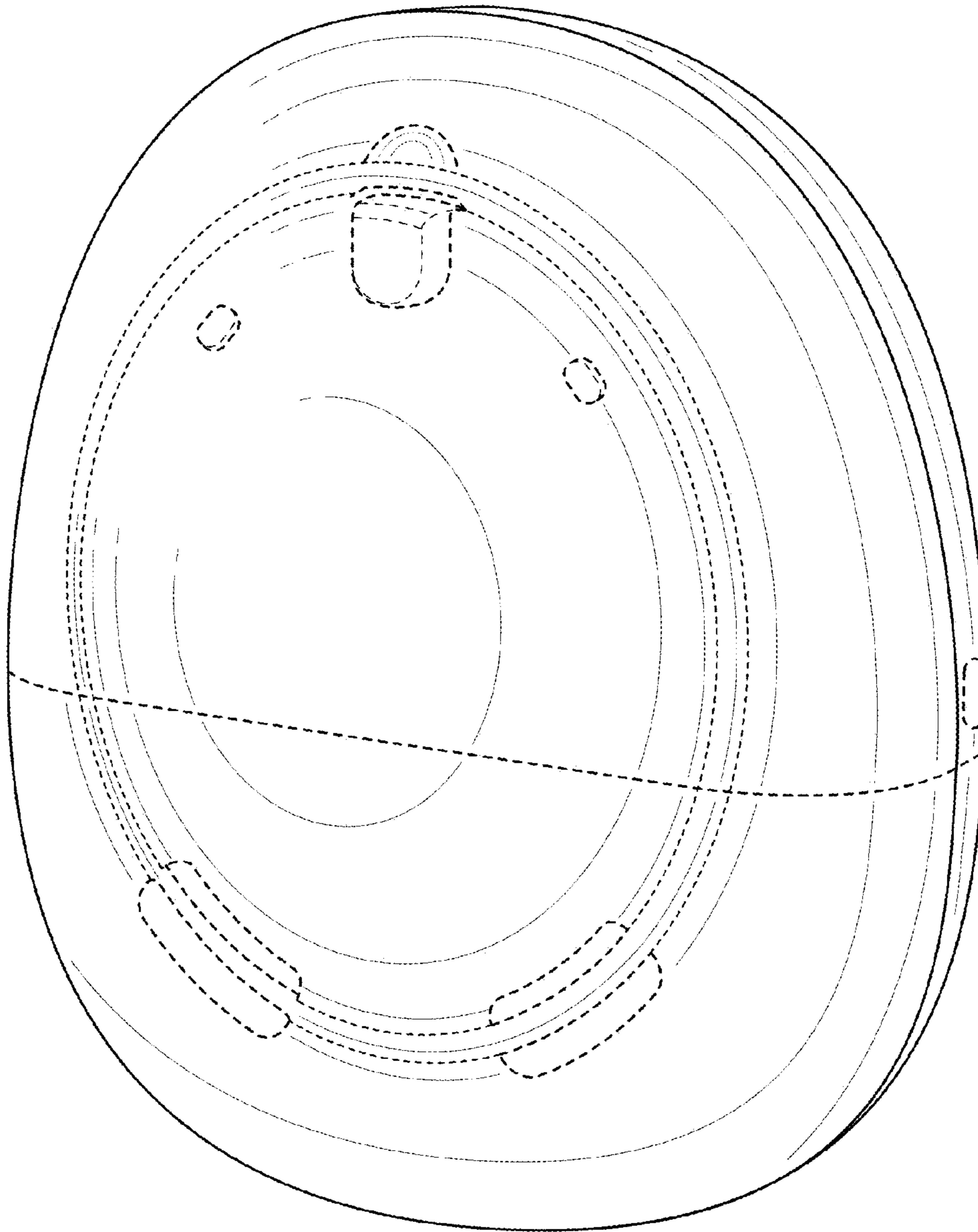


FIG. 8

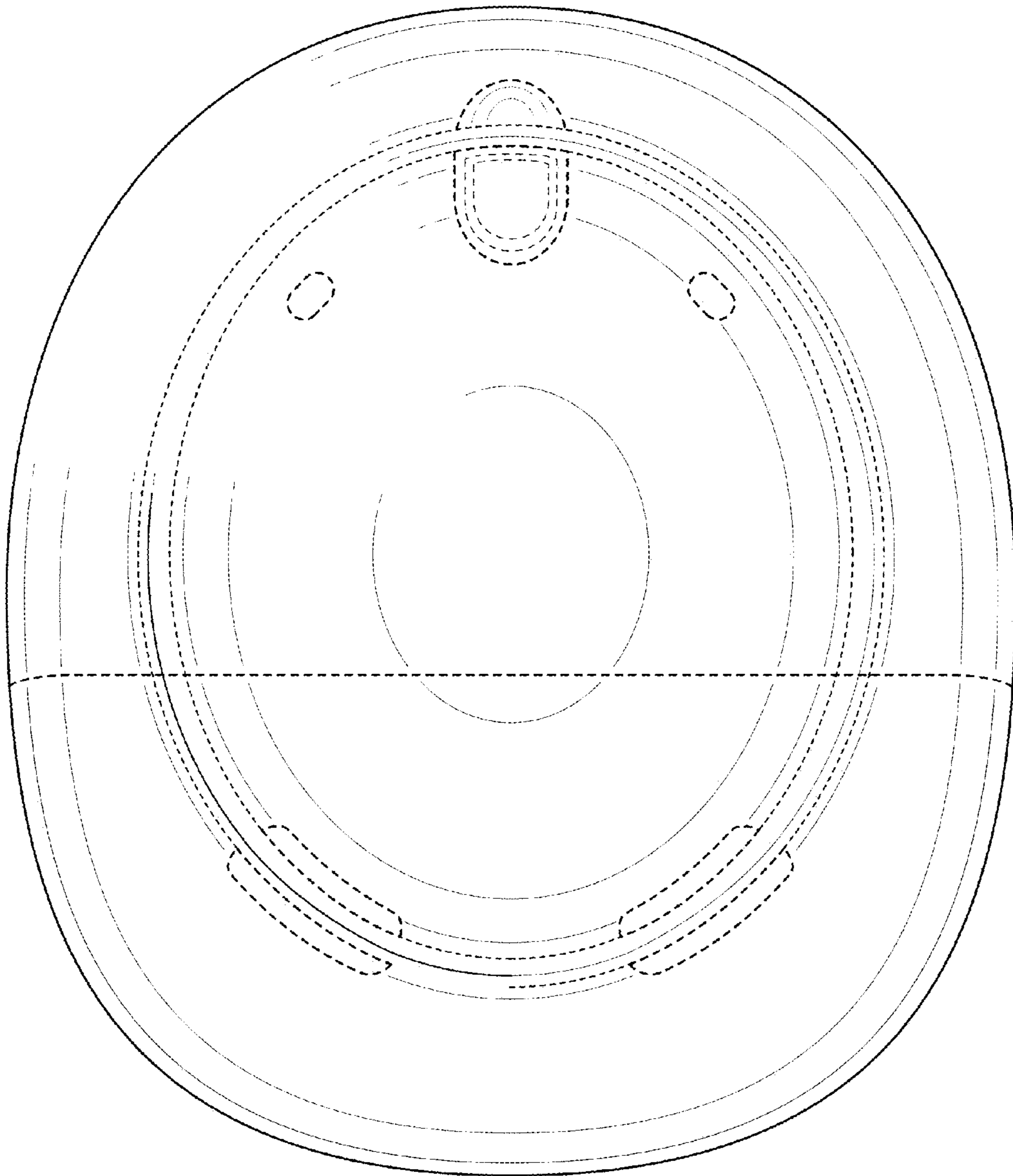


FIG. 9

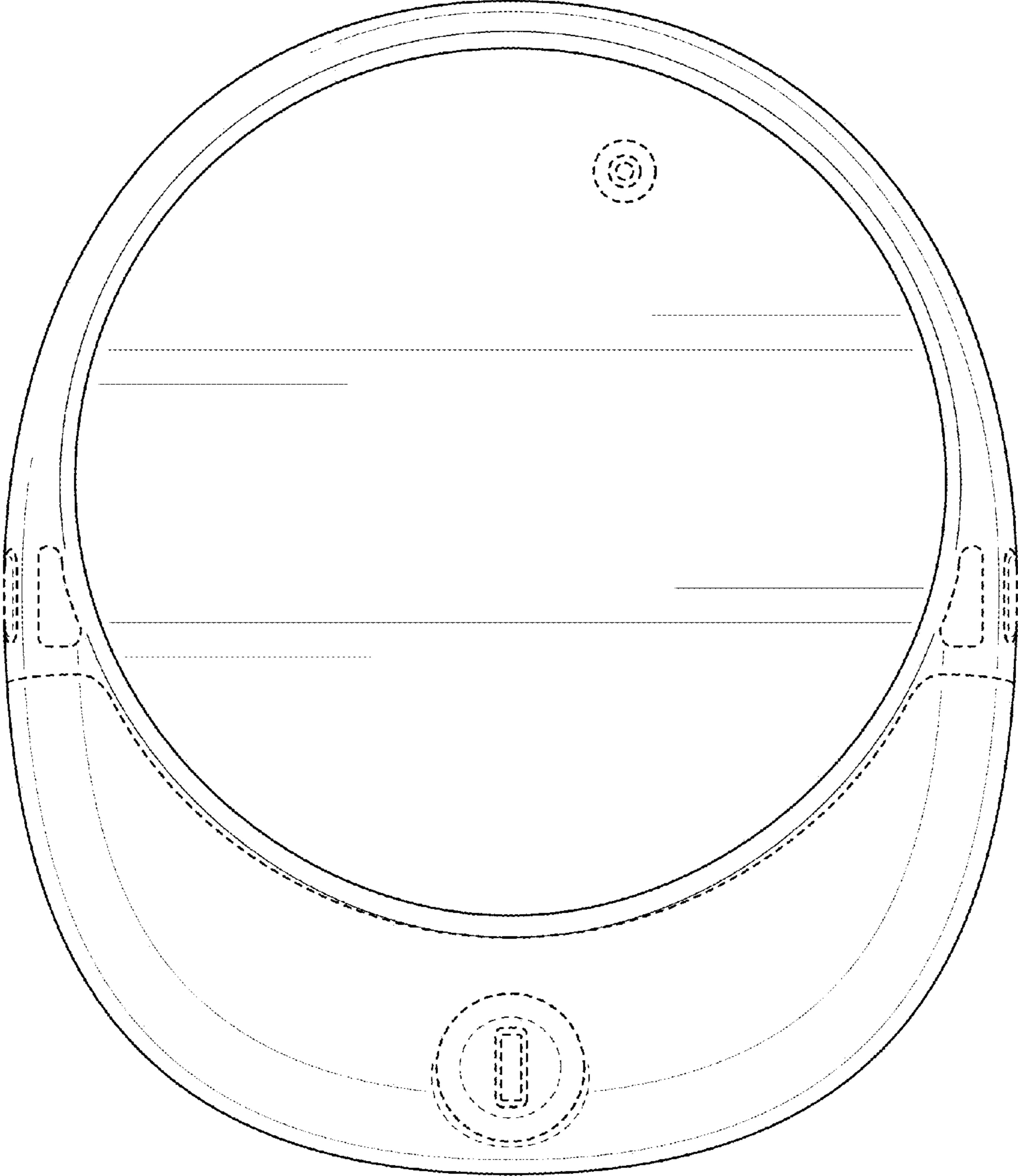


FIG. 10

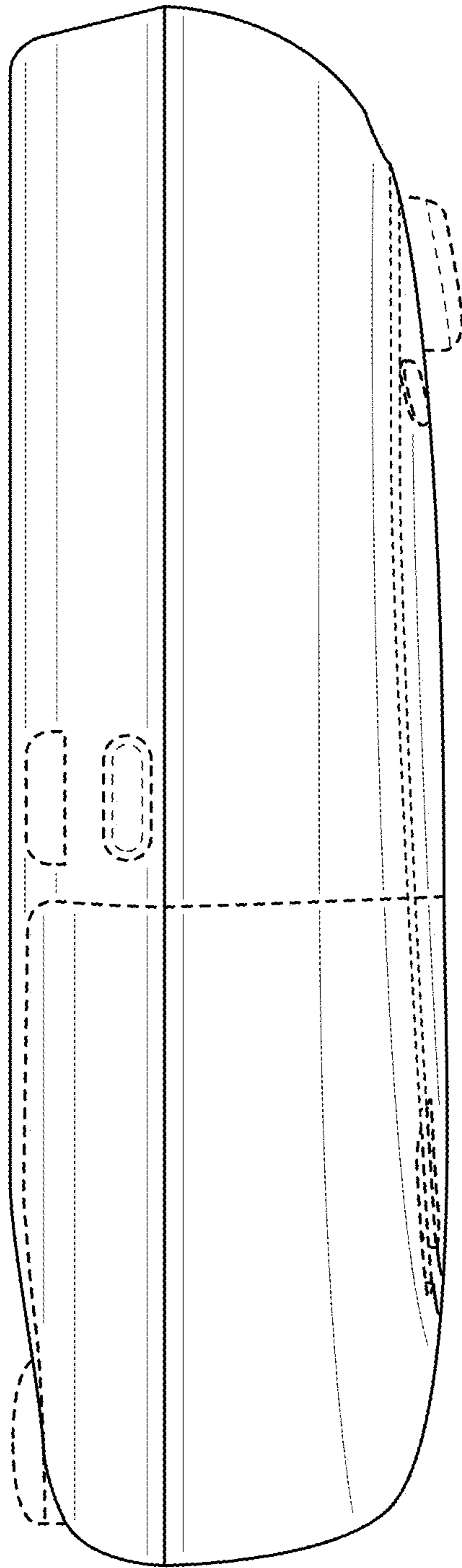


FIG. 11

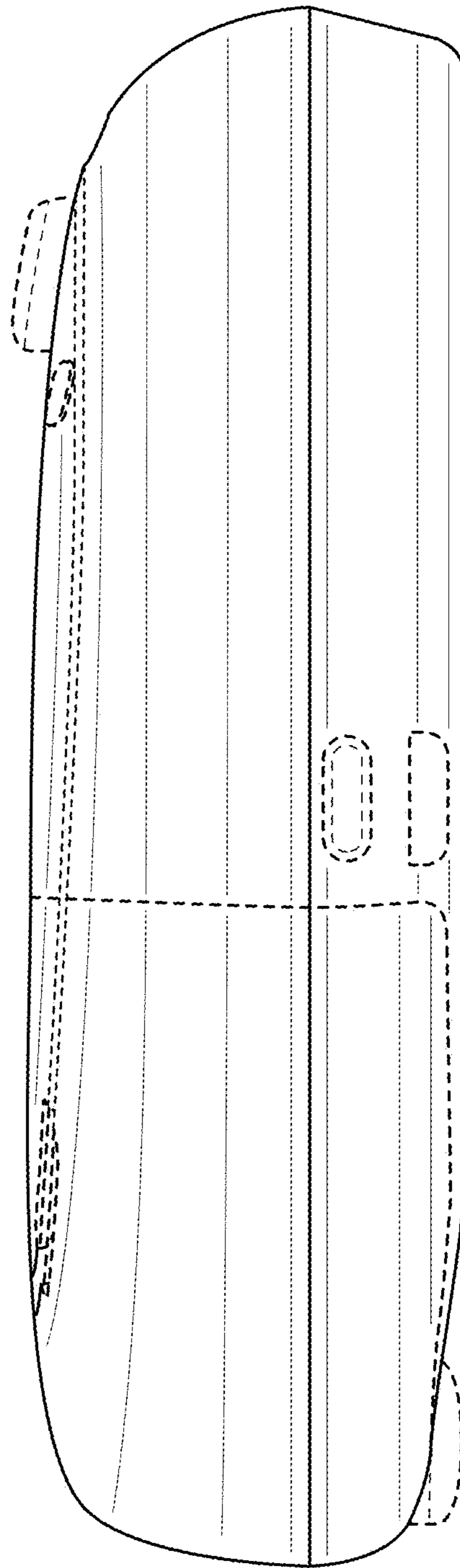


FIG. 12

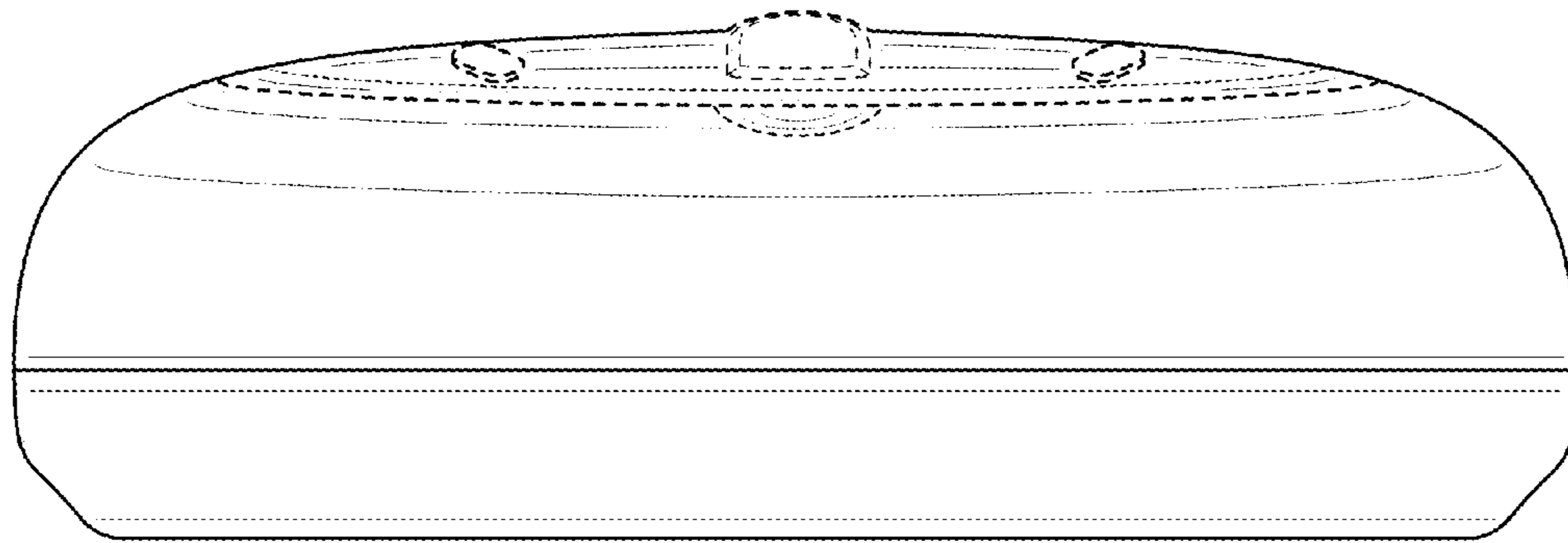


FIG. 13

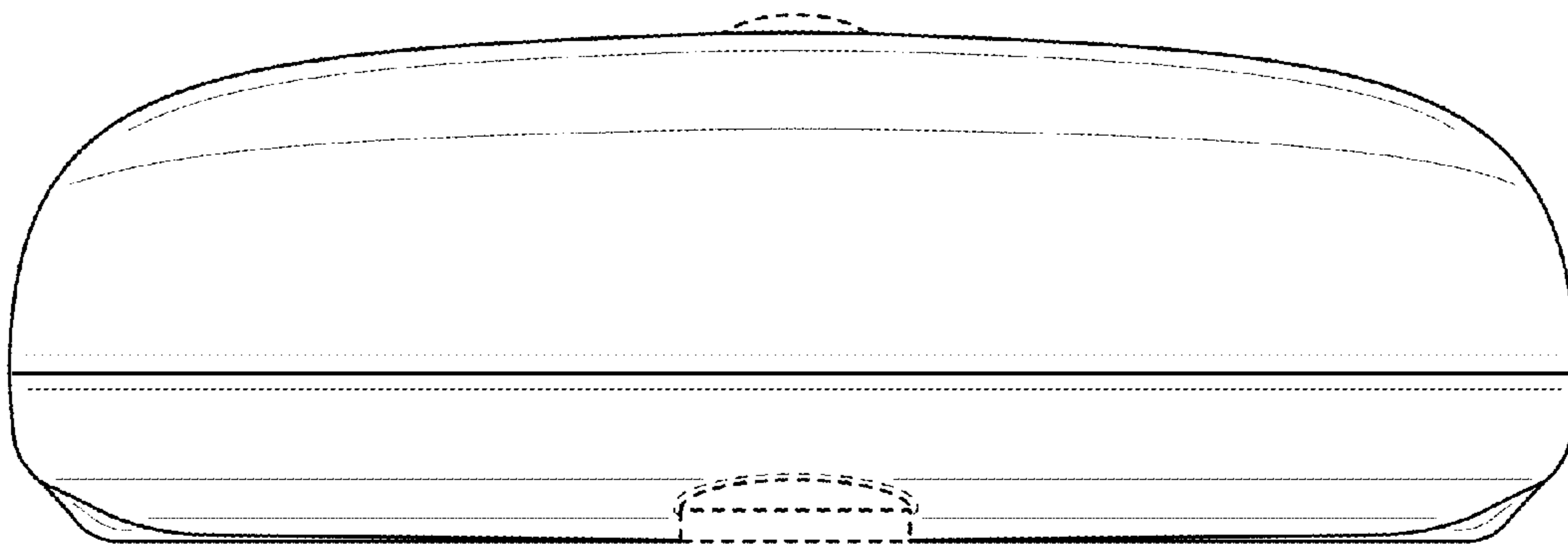


FIG. 14