



US00D760390S

(12) **United States Design Patent**
Blomquist et al.

(10) **Patent No.:** **US D760,390 S**
(45) **Date of Patent:** **** Jun. 28, 2016**

(54) **VENTILATOR**

(71) Applicant: **Maquet Critical Care AB**, Solna (SE)

(72) Inventors: **Karin Blomquist**, Sollentuna (SE);
Magnus Olsson, Enskede (SE); **Stina Juhlin**, Gustavsberg (SE)

(73) Assignee: **Maquet Critical Care AB**, Solna (SE)

(**) Term: **15 Years**

(21) Appl. No.: **29/527,884**

(22) Filed: **May 22, 2015**

(30) **Foreign Application Priority Data**

Nov. 25, 2014 (EM) 2584441

(51) **LOC (10) Cl.** **24-00**

(52) **U.S. Cl.**
USPC **D24/164**

(58) **Field of Classification Search**
USPC D24/164, 185, 158, 110, 172, 162;
600/407; 128/202.27; 108/147.19;
D34/14
CPC A61B 5/0002; A61M 16/0051; A61G
12/001

See application file for complete search history.

(56) **References Cited**

U.S. PATENT DOCUMENTS

7,455,062 B2 * 11/2008 Roehl A61M 16/0051
128/202.27
7,594,668 B2 * 9/2009 Arceta A61G 12/001
108/147.19

D643,535 S * 8/2011 Ross D24/164
D702,840 S * 4/2014 Blomquist D24/164
D702,842 S * 4/2014 Hyde D24/185
D708,733 S * 7/2014 Ng D24/110
D720,854 S * 1/2015 Kim D24/158
D722,696 S * 2/2015 Blomquist D24/164
D730,011 S * 5/2015 McRorie D34/14
D739,538 S * 9/2015 Bernal D24/185
2005/0288571 A1 * 12/2005 Perkins A61B 5/0002
600/407

* cited by examiner

Primary Examiner — Holly Baynham

Assistant Examiner — Rhea Shields

(74) *Attorney, Agent, or Firm* — Schiff Hardin LLP

(57) **CLAIM**

The ornamental design for a ventilator, as shown and described.

DESCRIPTION

FIG. 1 is a perspective of a ventilator core taken from a direction between a front side and a right side of the ventilator core;

FIG. 2 is a front elevational view of the ventilator of FIG. 1; FIG. 3 is a back elevational view of the ventilator of FIG. 1; FIG. 4 is a left side elevational view of the ventilator of FIG. 1;

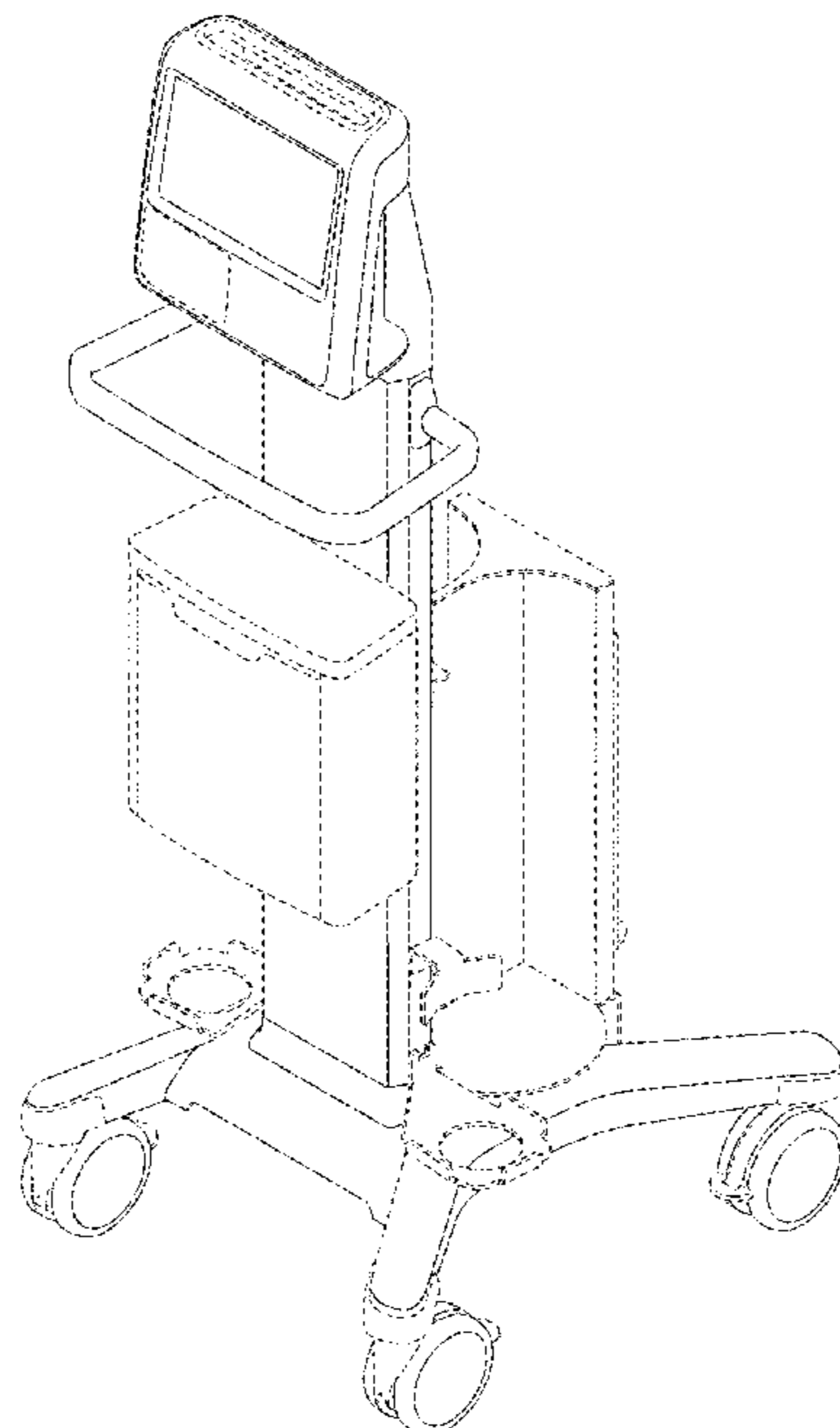
FIG. 5 is a right side elevational view of the ventilator of FIG. 1;

FIG. 6 is a top plan view of the ventilator of FIG. 1; and,

FIG. 7 is a bottom plan view of the ventilator of FIG. 1.

In the drawings, the broken lines are for the purpose of illustrating environment only and form no part of the claimed design.

1 Claim, 6 Drawing Sheets



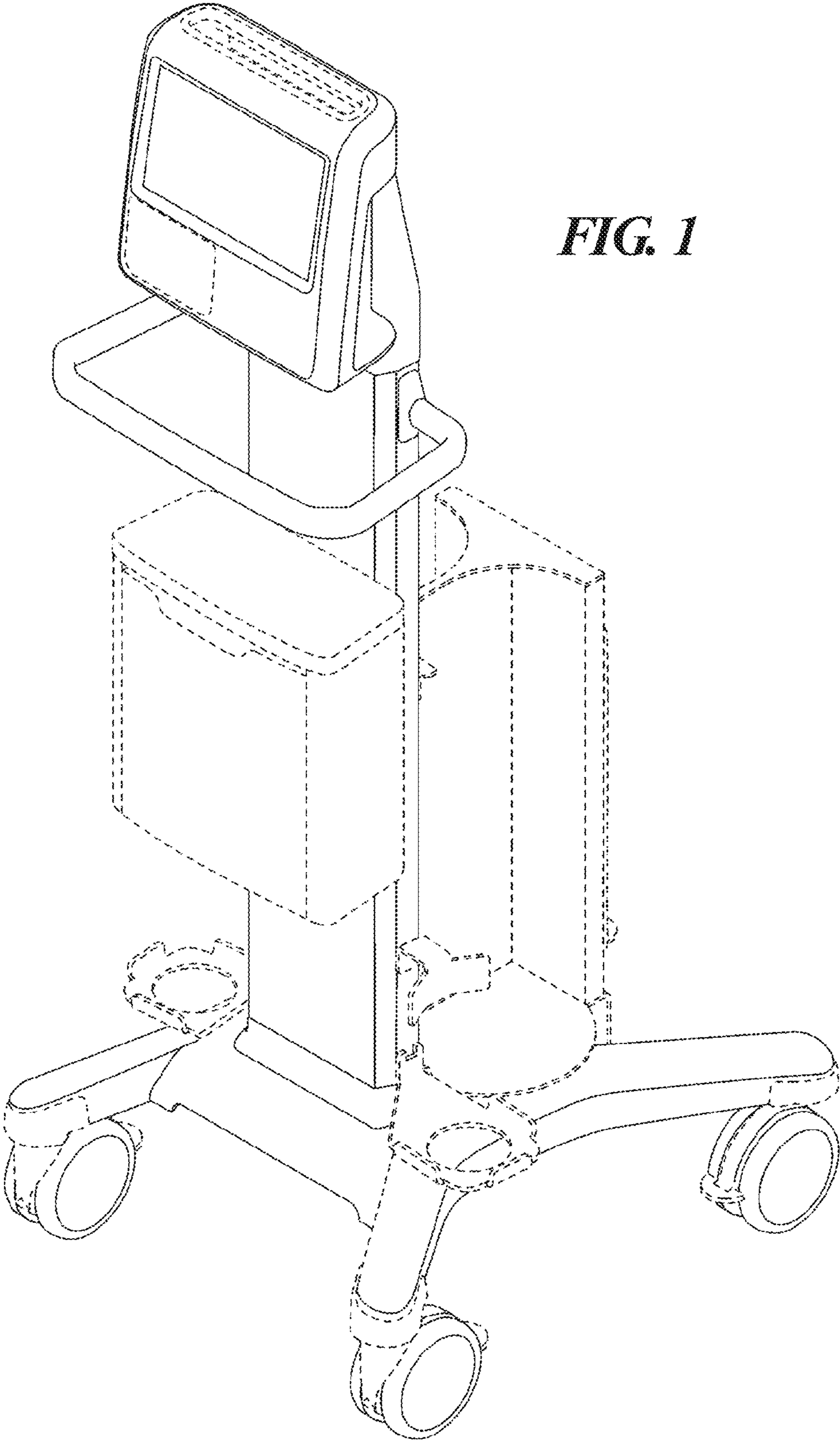


FIG. 1

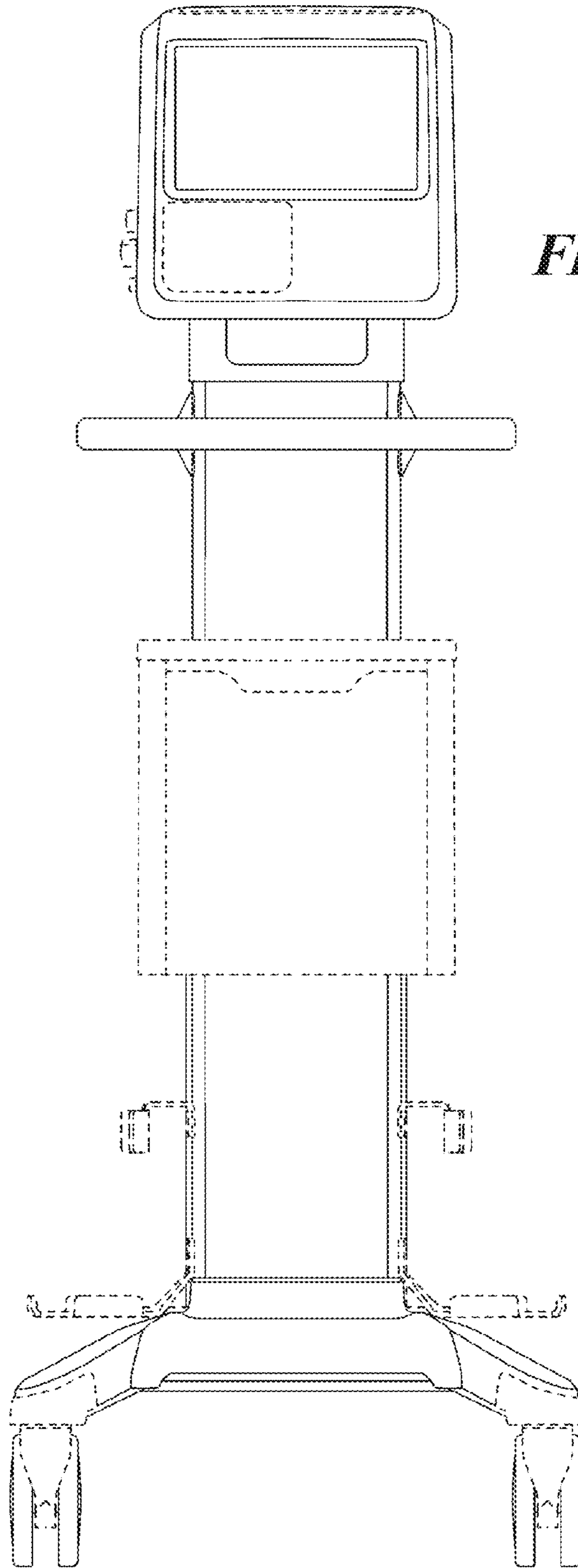


FIG. 2

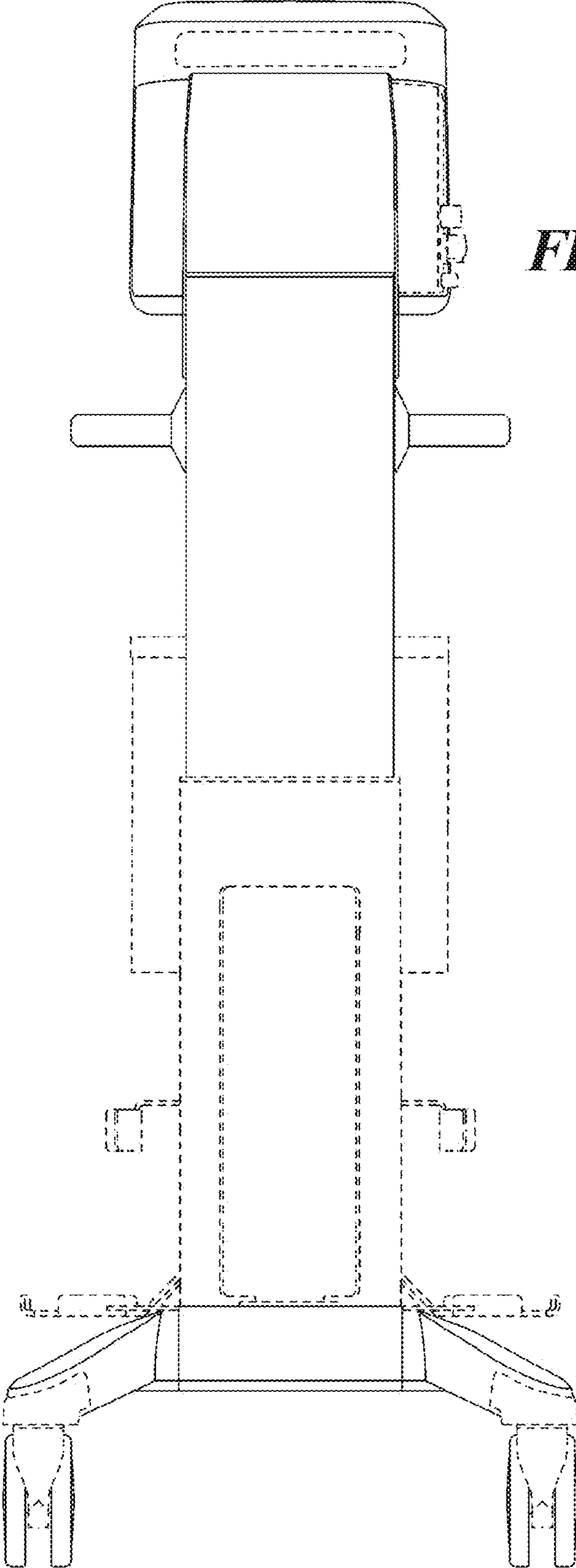
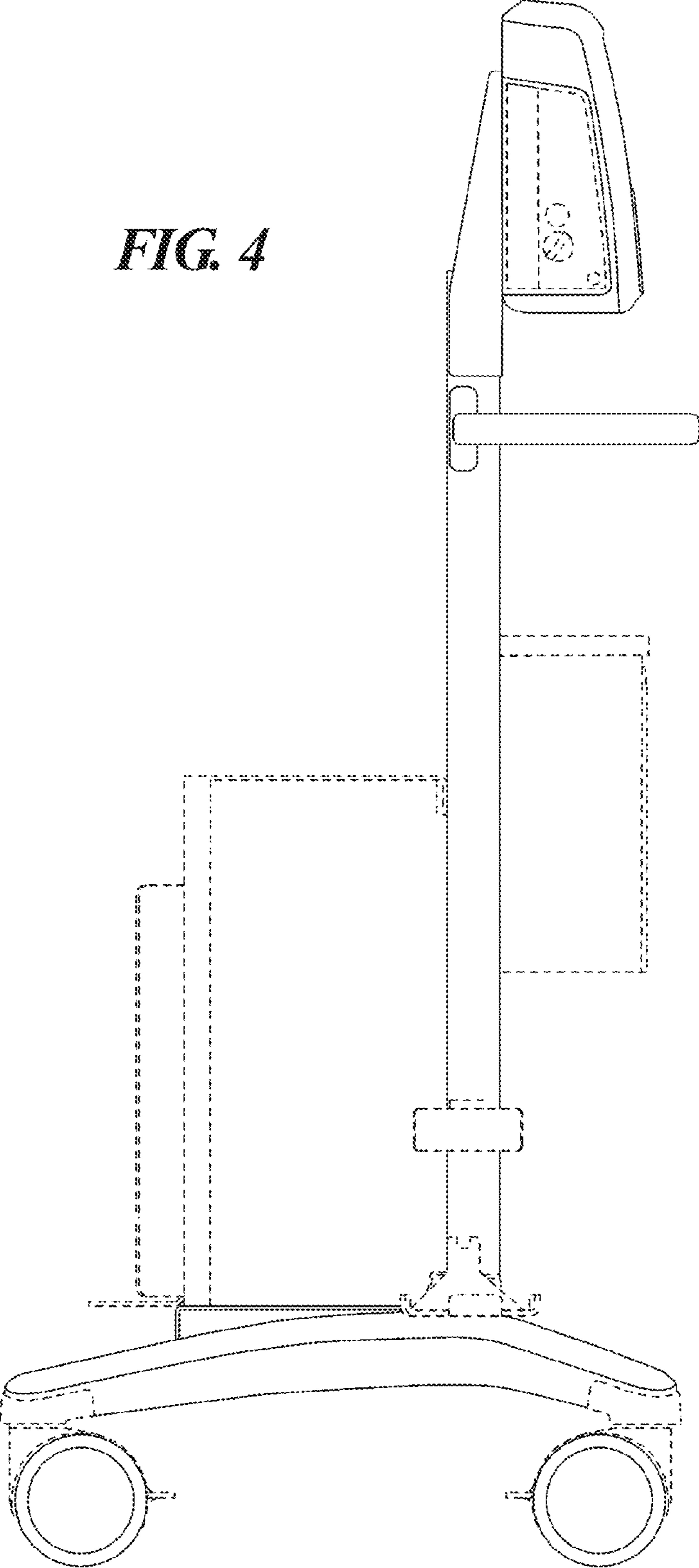


FIG. 3

FIG. 4



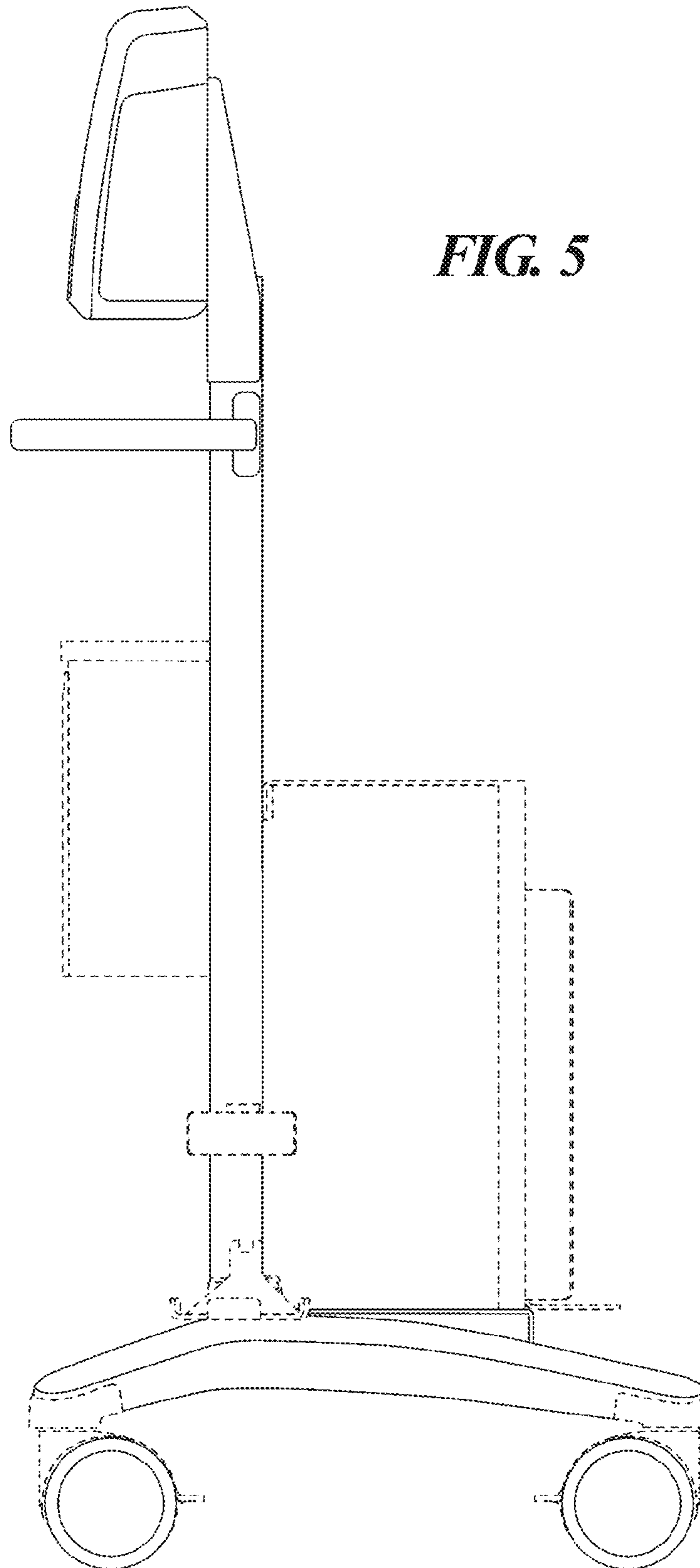


FIG. 6

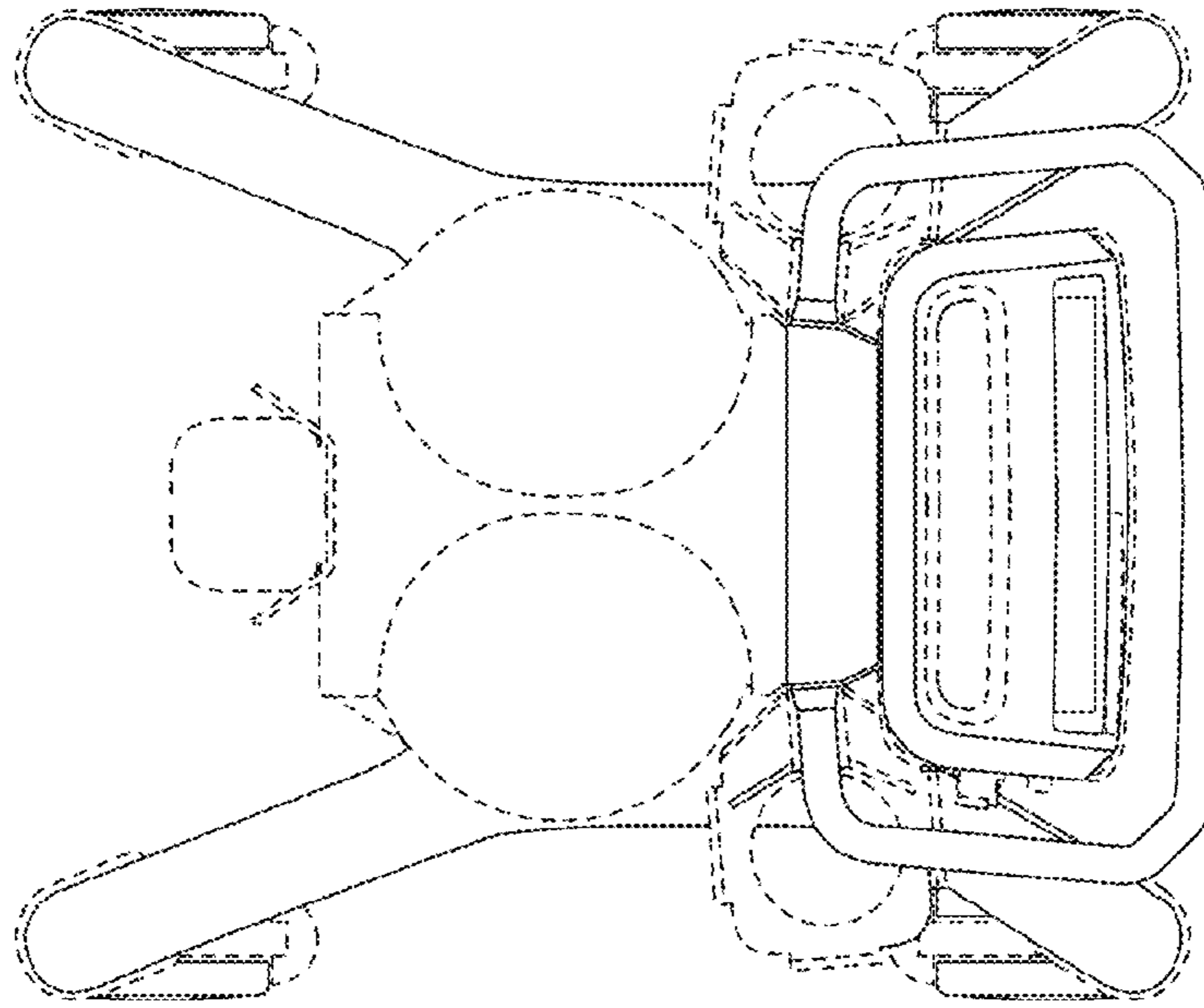
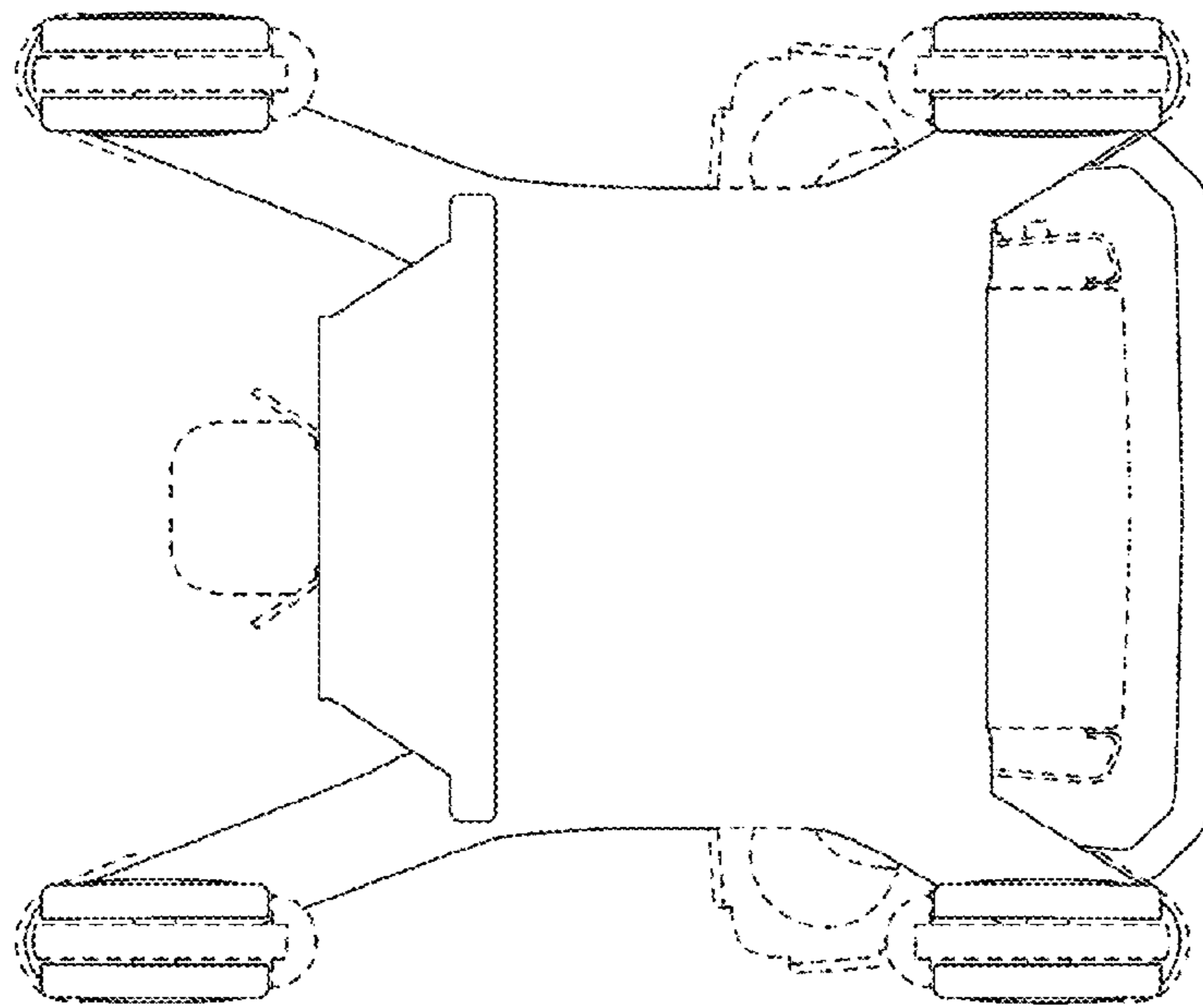


FIG. 7



UNITED STATES PATENT AND TRADEMARK OFFICE
CERTIFICATE OF CORRECTION

PATENT NO. : D760,390 S
APPLICATION NO. : 29/527884
DATED : June 28, 2016
INVENTOR(S) : Karin Blomquist et al.

Page 1 of 7

It is certified that error appears in the above-identified patent and that said Letters Patent is hereby corrected as shown below:

In the Drawings

Kindly substitute the attached set of high-quality drawings of Figures 1-7 for the reduced quality drawings of Figures 1-7.

Signed and Sealed this
Ninth Day of January, 2018



Joseph Matal

*Performing the Functions and Duties of the
Under Secretary of Commerce for Intellectual Property and
Director of the United States Patent and Trademark Office*

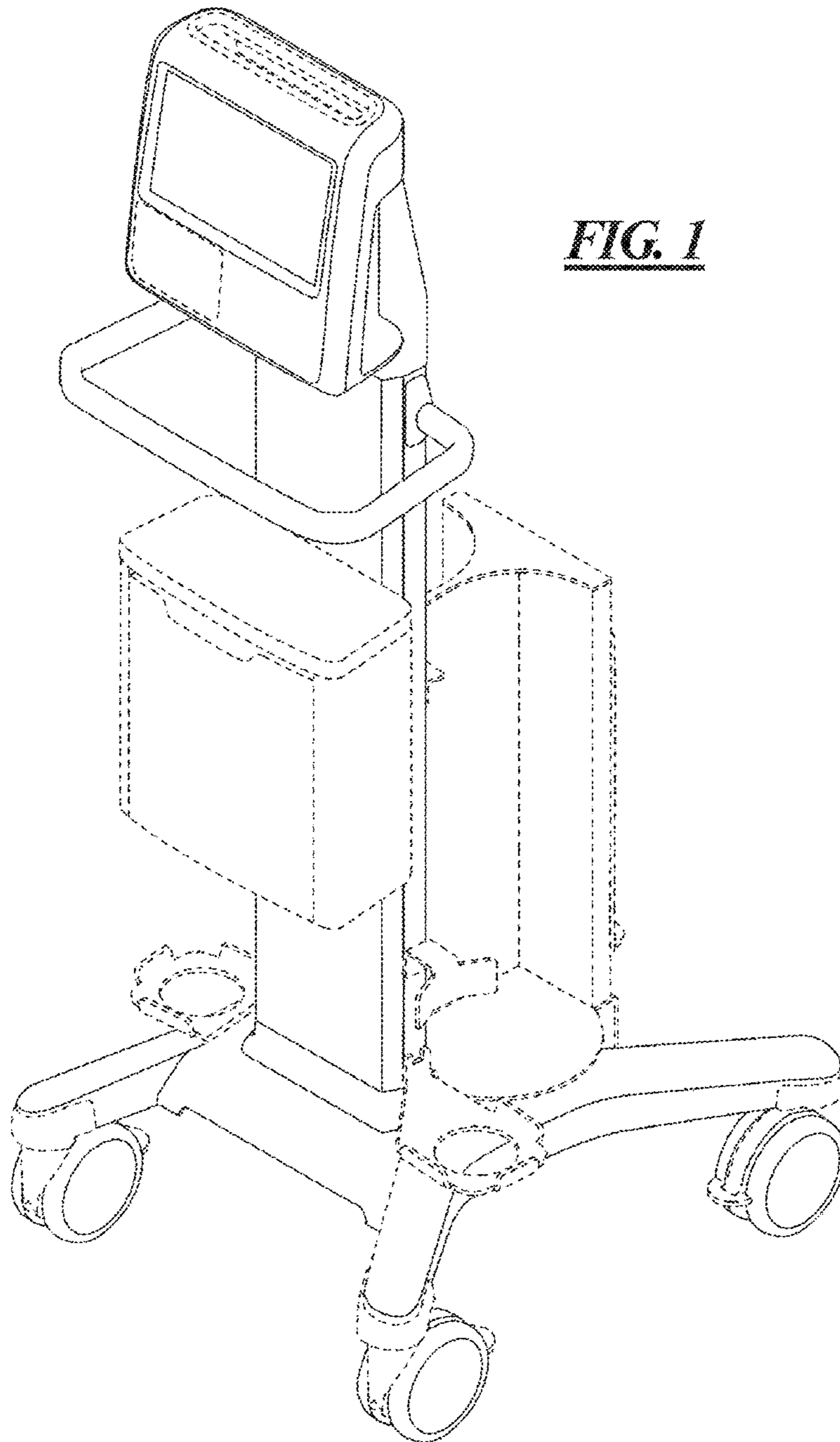


FIG. 1

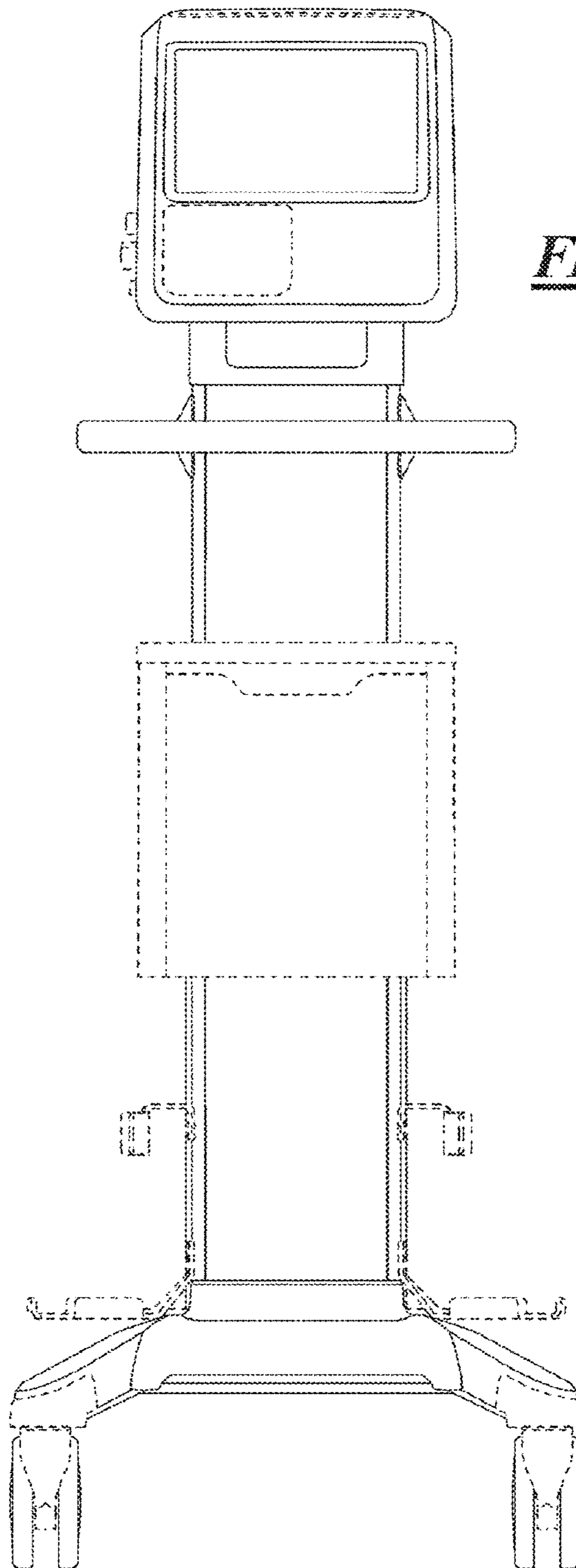


FIG. 2

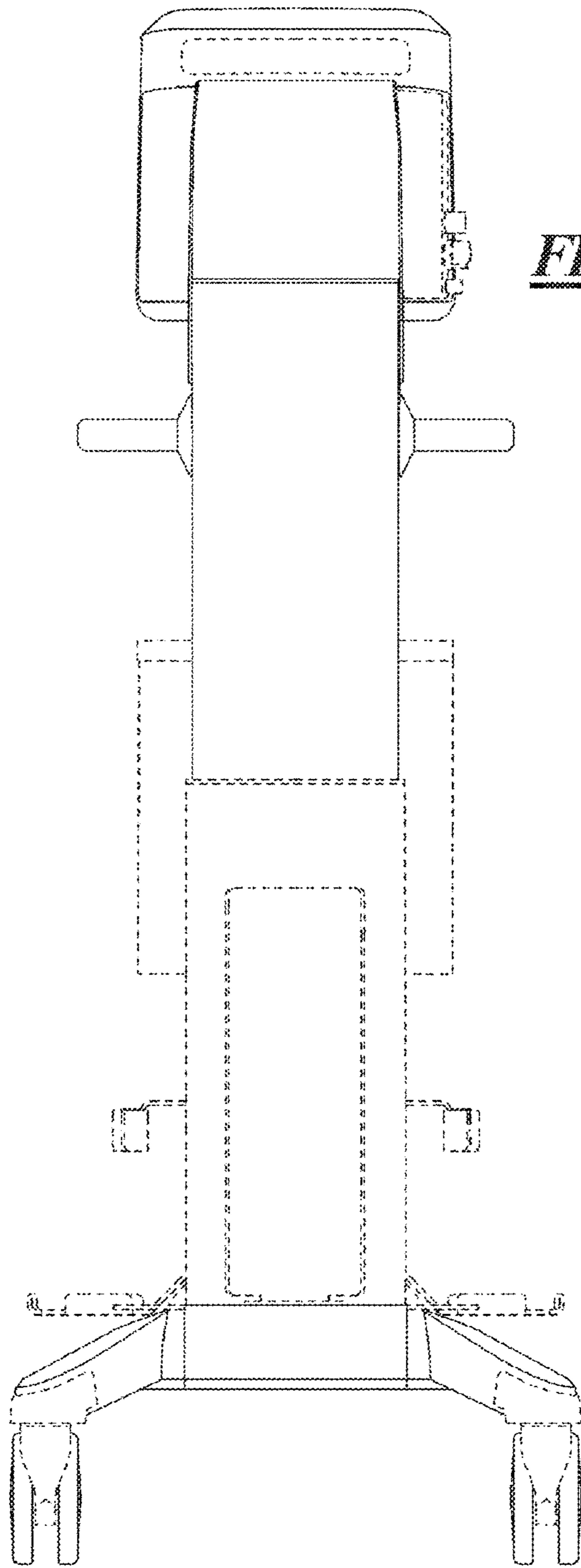
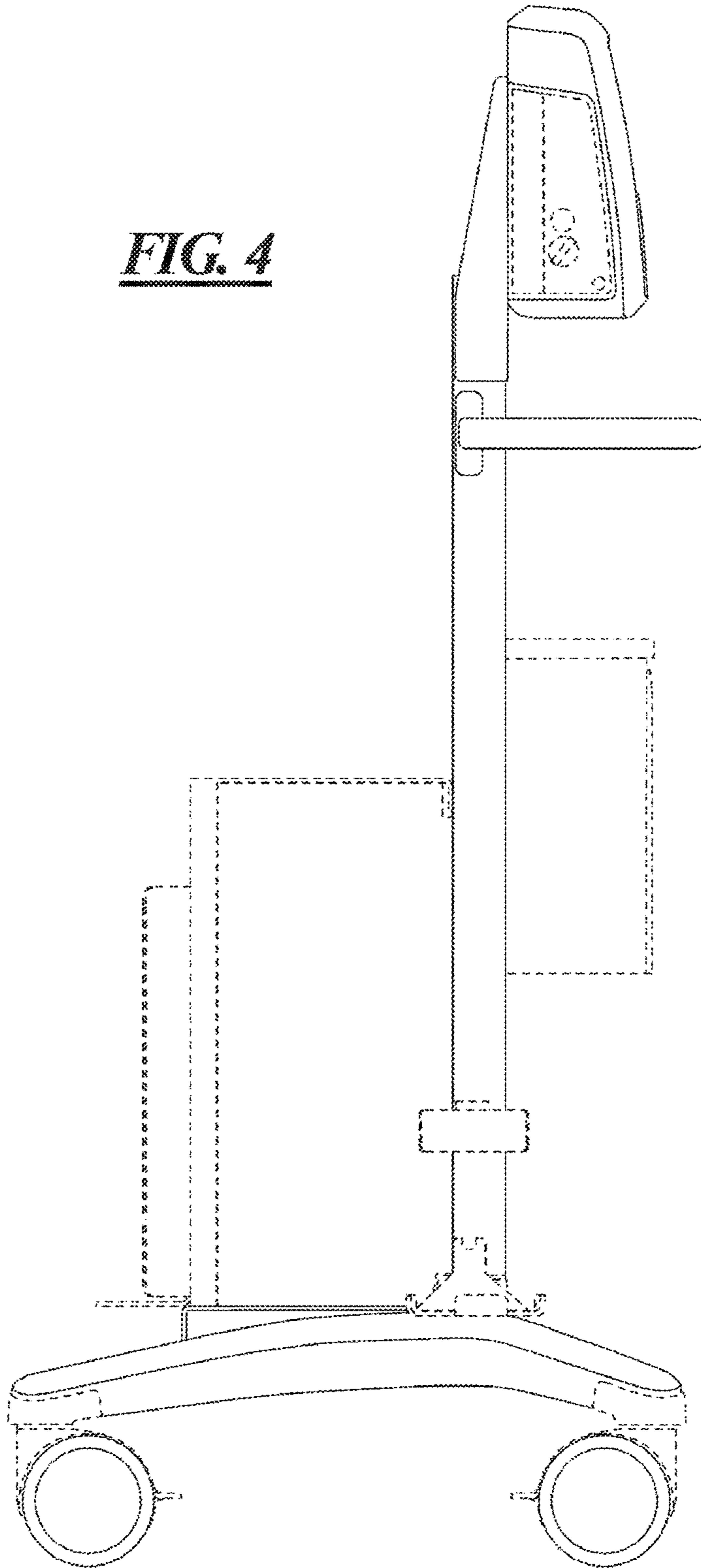


FIG. 3

FIG. 4



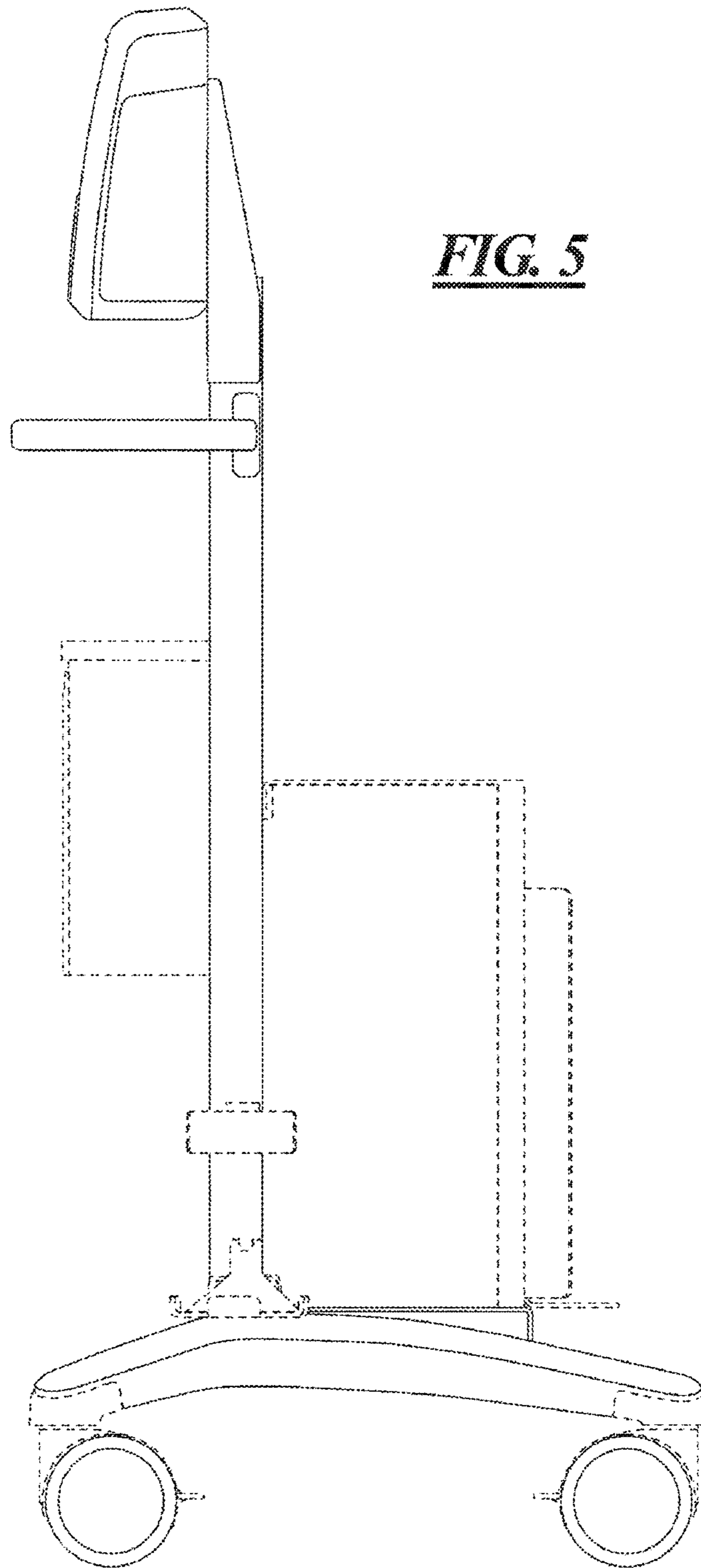


FIG. 5

FIG. 6

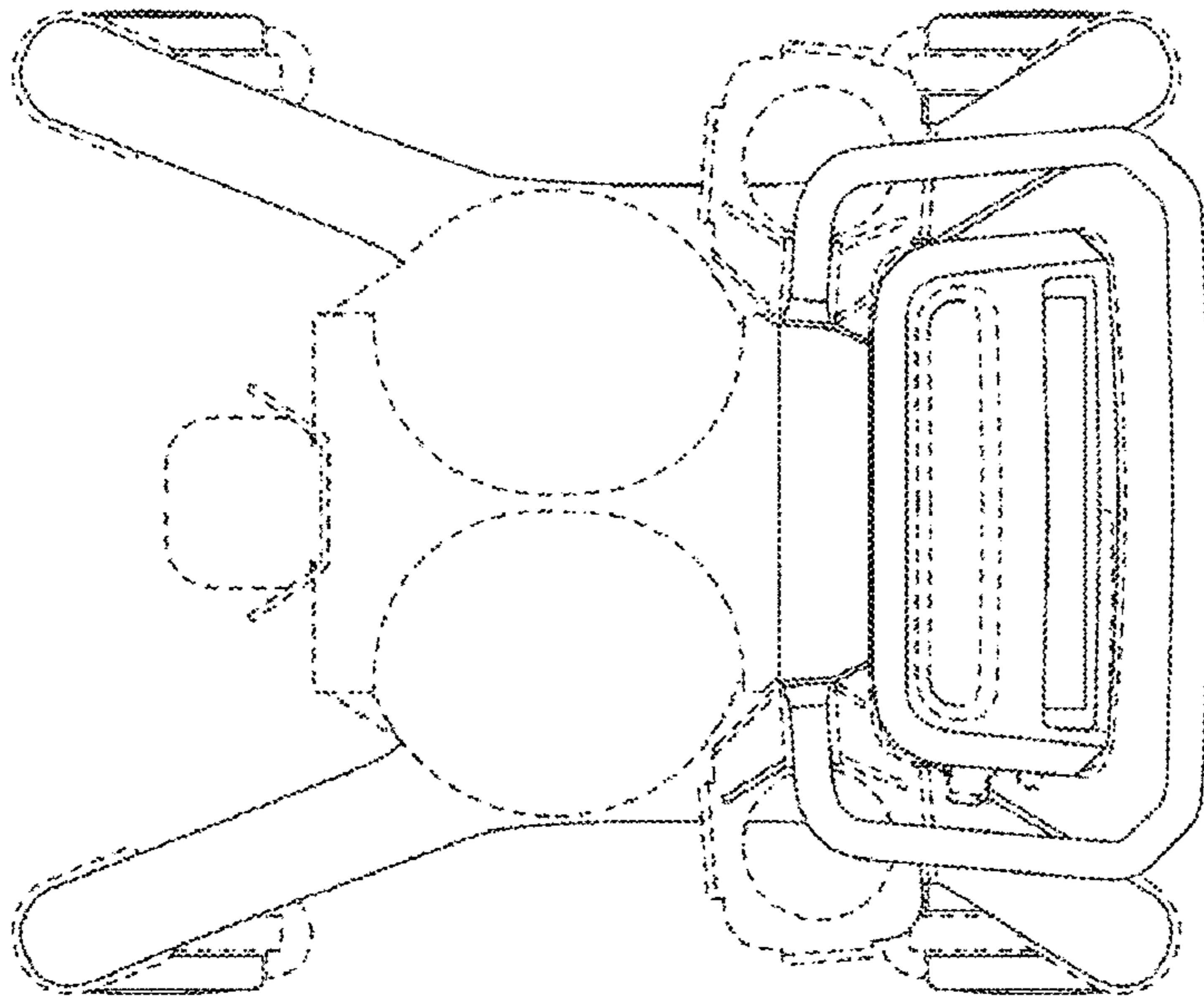


FIG. 7

