



US00D760389S

(12) **United States Design Patent**  
**Burdess**

(10) **Patent No.:** **US D760,389 S**  
(45) **Date of Patent:** **\*\* Jun. 28, 2016**

(54) **LINGUAL DEBONDING PLIER HEAD**

3,986,265 A \* 10/1976 Cusato ..... A61C 7/04  
156/718

(71) Applicant: **DB Orthodontics Ltd**, Silsden, West  
Yorkshire (GB)

5,966,815 A \* 10/1999 Sheikh ..... A61C 7/02  
30/124

(72) Inventor: **David Burdess**, Silsden (GB)

6,382,965 B1 \* 5/2002 Ruiz-Vela ..... A61C 7/02  
433/4

(73) Assignee: **DB Orthodontics Ltd.**, Silsden, West  
Yorkshire (GB)

D566,840 S \* 4/2008 Golden ..... D24/153  
D734,852 S \* 7/2015 Lim ..... D24/153  
D742,516 S \* 11/2015 Burdess ..... D24/153  
2002/0146665 A1 \* 10/2002 Tamura ..... A61C 7/04  
433/159

(\*\*) Term: **14 Years**

\* cited by examiner

(21) Appl. No.: **29/495,999**

*Primary Examiner* — Wan Laymon

(22) Filed: **Jul. 8, 2014**

(74) *Attorney, Agent, or Firm* — Gesmer Updegrove LLP

(30) **Foreign Application Priority Data**

Feb. 3, 2014 (EP) ..... 002397075-0001

(51) **LOC (10) Cl.** ..... **24-02**

(52) **U.S. Cl.**  
USPC ..... **D24/153**

(58) **Field of Classification Search**

USPC ..... D24/152-154, 147-148, 176;  
D8/51-52; 81/300

CPC ..... A61C 7/02; A61C 7/04; A61C 7/023  
See application file for complete search history.

(56) **References Cited**

**U.S. PATENT DOCUMENTS**

2,954,606 A \* 10/1960 Peak ..... A61C 7/04  
433/4

3,922,781 A \* 12/1975 Tippy ..... A61C 7/04  
30/124

(57) **CLAIM**

The ornamental design for a lingual debonding plier head, as shown and described.

**DESCRIPTION**

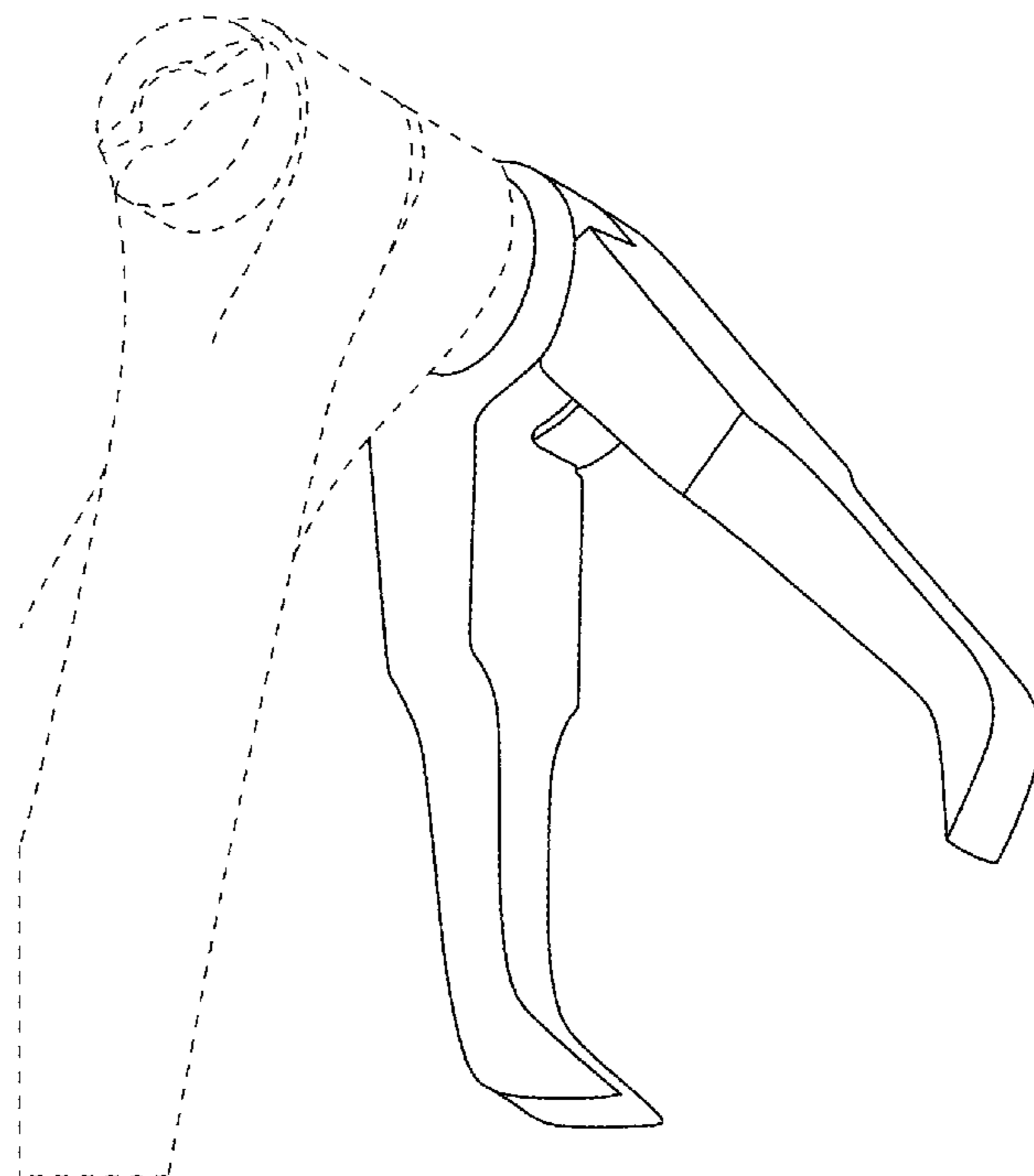
FIG. 1 is a front view of the lingual debonding plier head;  
FIG. 2 is a back perspective view of the lingual debonding  
plier head of FIG. 1;

FIG. 3 is a plan view of the lingual debonding plier head of  
FIG. 1; and,

FIG. 4 is a bottom view of the lingual debonding plier head of  
FIG. 1.

The broken line shown in the figures is included for the  
purpose of illustrating portions of the lingual debonding plier  
head and forms no part of the claimed design.

**1 Claim, 4 Drawing Sheets**



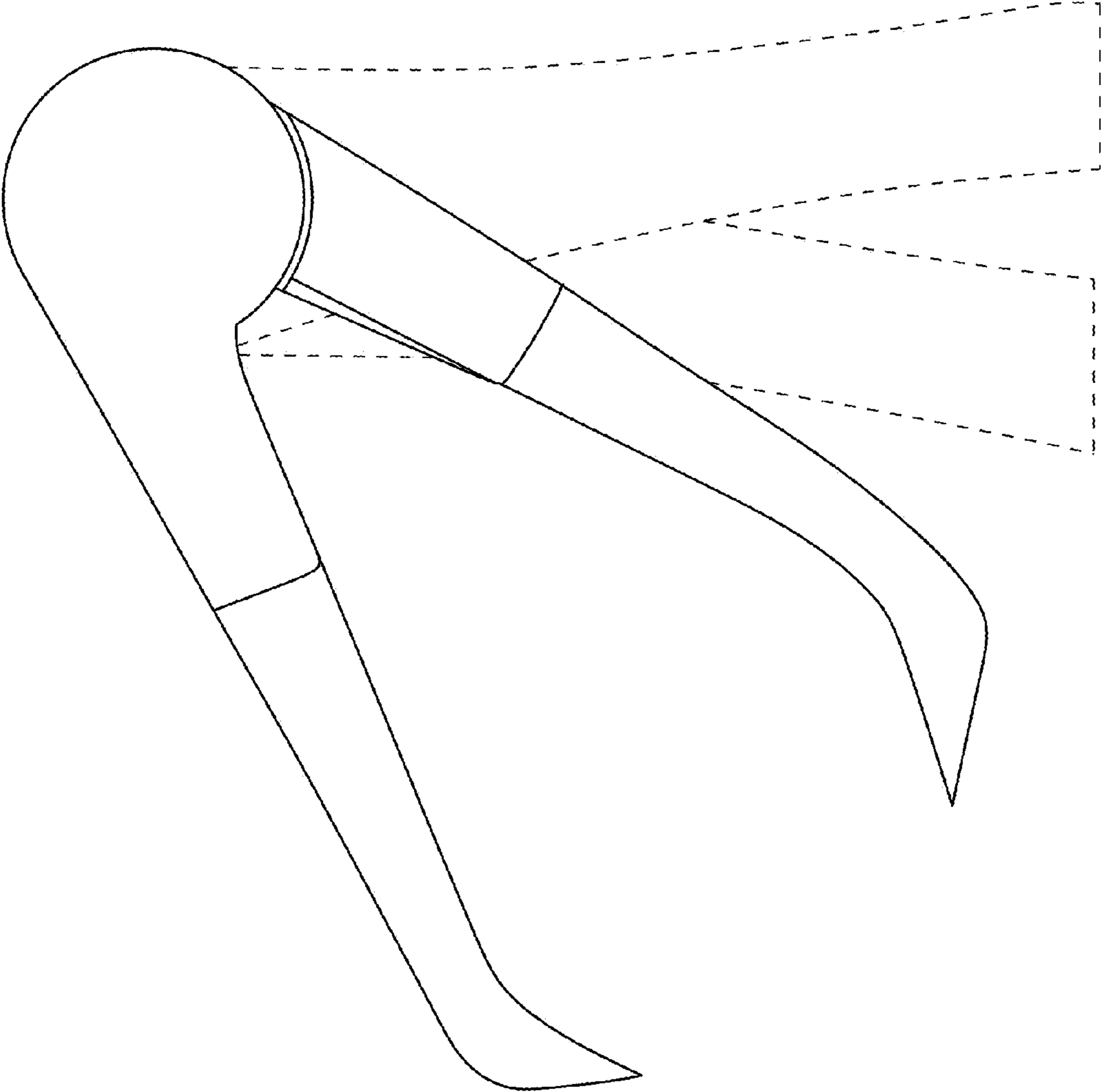


FIG. 1

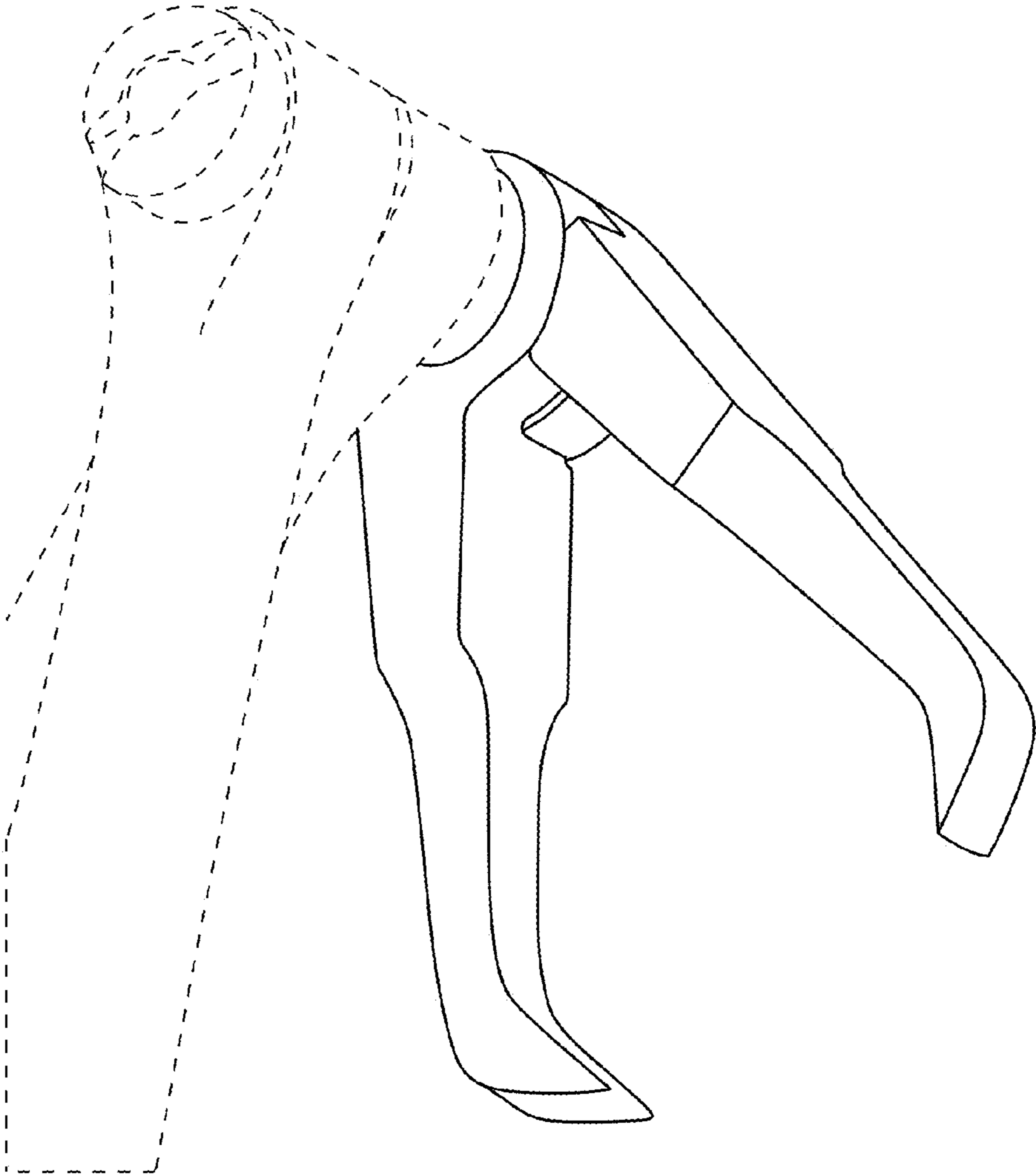


FIG. 2

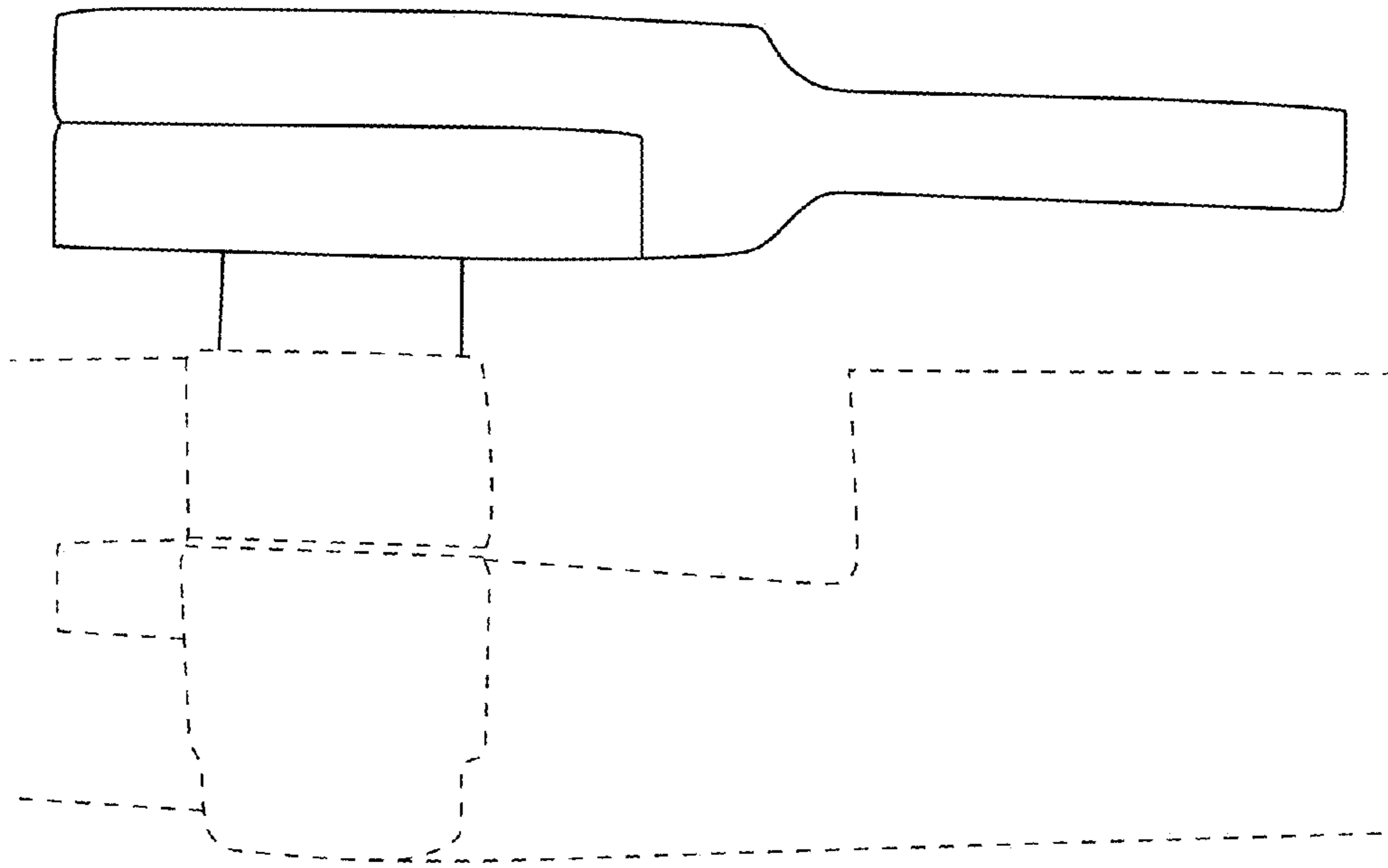


FIG. 3

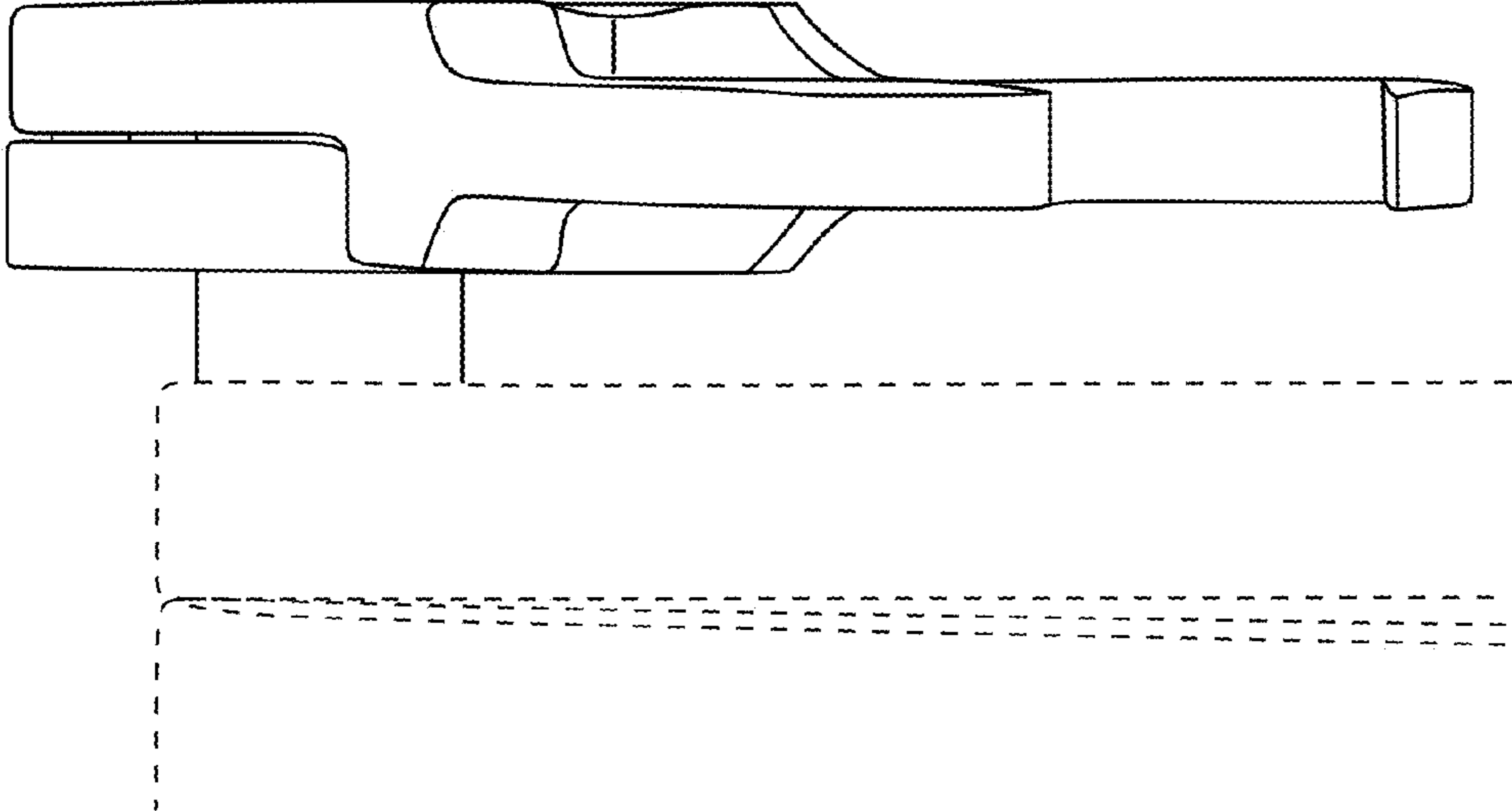


FIG. 4