

US00D760388S

(12) **United States Design Patent**
Slawson et al.

(10) **Patent No.:** **US D760,388 S**
(45) **Date of Patent:** **** Jun. 28, 2016**

- (54) **MEDICAL DEVICE**
- (71) Applicant: **Welch Allyn, Inc.**, Skaneateles Falls, NY (US)
- (72) Inventors: **Steve Slawson**, Skaneateles Falls, NY (US); **John Haberstock**, Skaneateles Falls, NY (US)
- (73) Assignee: **WELCH ALLYN, INC.**, Skaneateles Falls, NY (US)
- (**) Term: **14 Years**
- (21) Appl. No.: **29/498,120**
- (22) Filed: **Jul. 31, 2014**
- (51) **LOC (10) Cl.** **24-02**
- (52) **U.S. Cl.**
USPC **D24/137**
- (58) **Field of Classification Search**
USPC D24/137, 138, 150, 172; 351/218, 221, 351/205, 206; 606/4
CPC A61B 1/227; A61B 3/1208; H02J 7/0045; H01M 2/1055; H01M 10/46; H01M 2/1005
See application file for complete search history.

D618,794	S *	6/2010	Onuma	D24/137
D619,708	S *	7/2010	Ellman	D24/137
7,862,173	B1 *	1/2011	Ellman	A61B 3/1208 351/217
D709,191	S *	7/2014	Wood	D24/137
2004/0039251	A1 *	2/2004	Roberts	A61B 1/227 600/178

OTHER PUBLICATIONS

3.5 V Diagnostic Oscopes [online] [retrieved Jun. 10, 2014]. Retrieved from the Internet: <URL: <http://intl.welchallyn.com/apps/products/product.jsp?id=11-ac-100-0000000001141>>. (2011) 1 page.

PocketScope Oscope with Throat Illuminator [online] [retrieved Jun. 10, 2014]. Retrieved from the Internet: <URL: <http://intl.welchallyn.com/apps/products/product.jsp?id=11-ac-100-0000000001148>>. (2011) 1 page.

(Continued)

Primary Examiner — Wan Laymon
Assistant Examiner — Mark Booker

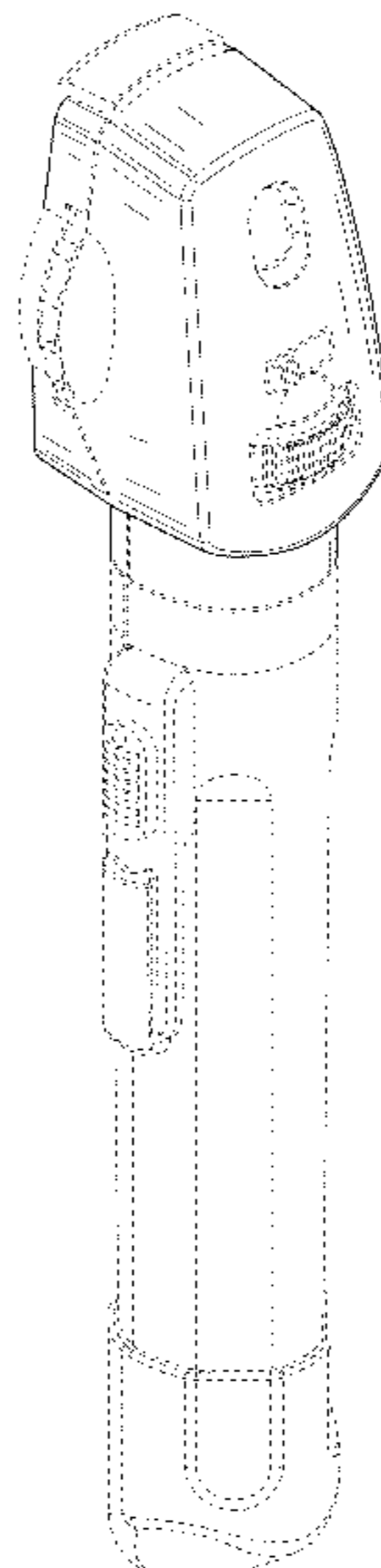
(57) **CLAIM**
The ornamental design for a medical device, as shown and described.

DESCRIPTION

FIG. 1 is a perspective view of a medical device showing our new design;
FIG. 2 is a front elevation view thereof;
FIG. 3 is a rear elevation view thereof;
FIG. 4 is a right side elevation view thereof;
FIG. 5 is a left side elevation view thereof;
FIG. 6 is a top plan view thereof; and,
FIG. 7 is a bottom plan view thereof.
Broken lines shown immediately adjacent shaded areas represent bounds of the claimed design and unclaimed features. All other broken lines are directed to unclaimed features. The broken lines form no part of the claimed design.

1 Claim, 6 Drawing Sheets

- (56) **References Cited**
- U.S. PATENT DOCUMENTS
- D207,372 S * 4/1967 Pulos 600/200
- D243,973 S * 4/1977 Pulos D24/137
- 5,200,772 A * 4/1993 Perkins A61B 3/1208
351/213
- 5,202,710 A * 4/1993 Perkins A61B 3/032
351/211
- D379,514 S * 5/1997 Laun D24/137
- D423,668 S * 4/2000 Coe D24/137
- D429,333 S * 8/2000 Sanders D24/137
- 6,130,520 A * 10/2000 Wawro A61B 1/227
320/114
- D566,838 S * 4/2008 Slawson D24/137
- D594,555 S * 6/2009 Hsu D24/137



(56)

References Cited

OTHER PUBLICATIONS

Welch Allyn PocketScope Otoscope w/“AA” Handle and Soft Case, 1/Ea, 22821 [online] [retrieved Jun. 10, 2014]. Retrieved from the Internet: <URL: http://www.amazon.com/Welch-Allyn-PocketScope-Otoscope-22821/dp/B000ROJ8UW/re=pd_sim_hpc_3?ie=UTF8&refRID=13090GMJV3SHNBVAQPKS>.

(undated) 2 pages.

3.5 V Standard Ophthalmoscope [online] [retrieved Jun. 10, 2014]. Retrieved from the Internet: <URL: <http://intel.welchallyn.com/apps/products/product.jsp?id=11-ac-100-000000001137>>. (2011) 1 page.

PocketScope Ophthalmoscope [online] [retrieved Jun. 10, 2014]. Retrieved from the Internet: <URL: <http://intel.welchallyn.com/>

[apps/products/product.jsp?id=11-ac-100-000000001139](http://intel.welchallyn.com/apps/products/product.jsp?id=11-ac-100-000000001139)>. (2011) 1 page.

Welch Allyn 2.5v PocketScope Ophthalmoscope with AA Handle (Model 12820) [online] [retrieved Jun. 10, 2014]. Retrieved from the Internet: <URL: [http://www.amazon.com/Welch-allyn-PocketScope-Ophthalmoscope-Handle/dp/B002MBRHROQ/ref=pd_sim_sbs_hpc_1?ie=UTF8&refRID=0KV7EFBWEAQ08K . . .](http://www.amazon.com/Welch-allyn-PocketScope-Ophthalmoscope-Handle/dp/B002MBRHROQ/ref=pd_sim_sbs_hpc_1?ie=UTF8&refRID=0KV7EFBWEAQ08K...)>. (undated) 2 pages.

Welch Allyn Otoscope/ophthalmoscope Diagnostic Set MOD 95001 [online] [retrieved Jun. 10, 2014]. Retrieved from the Internet: <URL: http://www.amazon.com/Welch-Allyn-ophthalmoscope-MOD-95001/dp/B000RDXUUDS/ref=pd_sxp_grid_pt_0_1>. (undated) 2 pages.

* cited by examiner

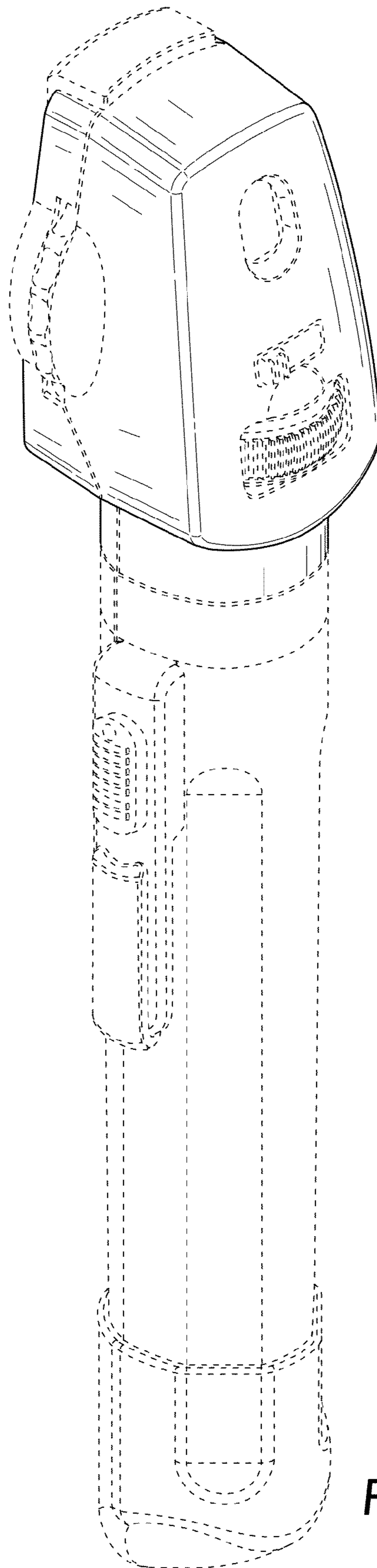


FIG. 1

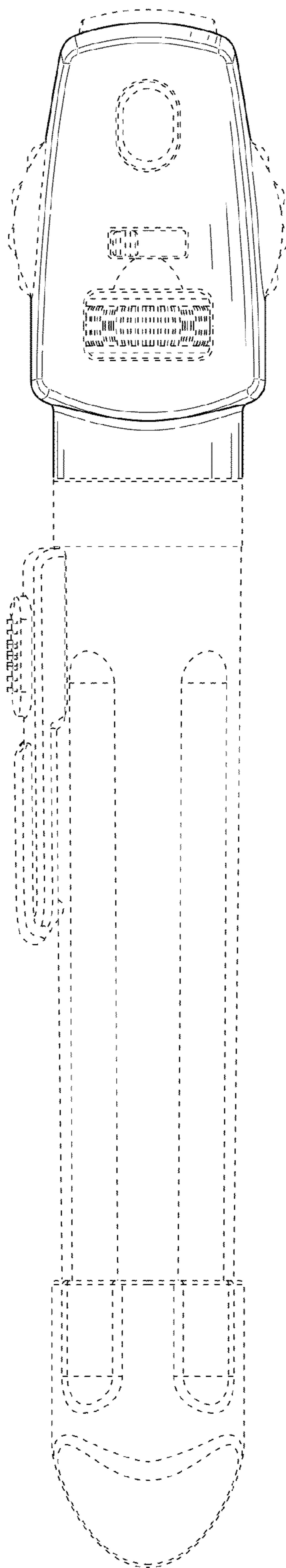


FIG. 2

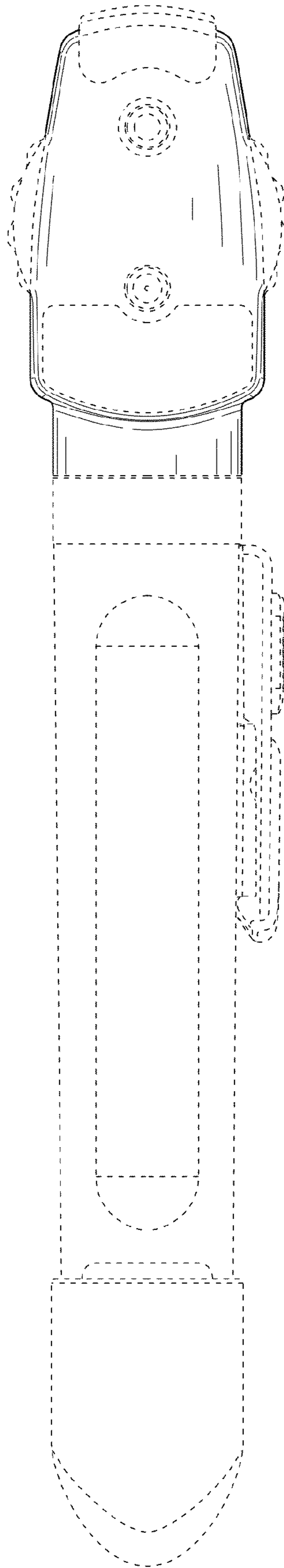


FIG. 3

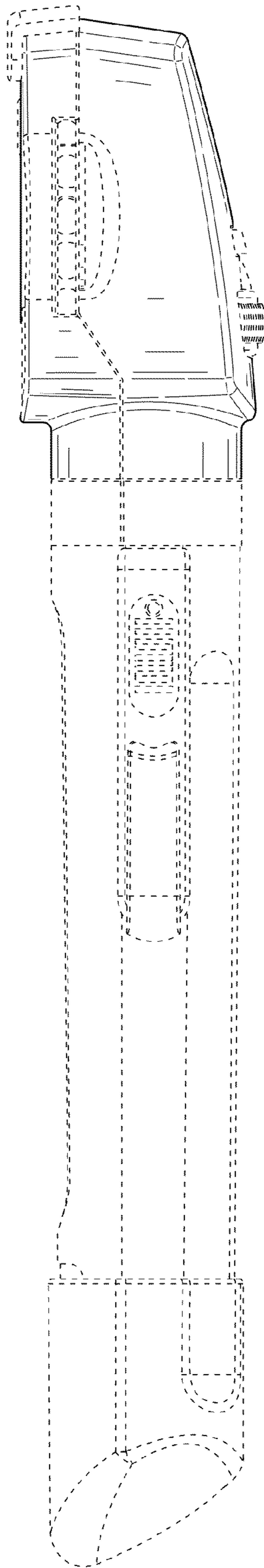


FIG. 4

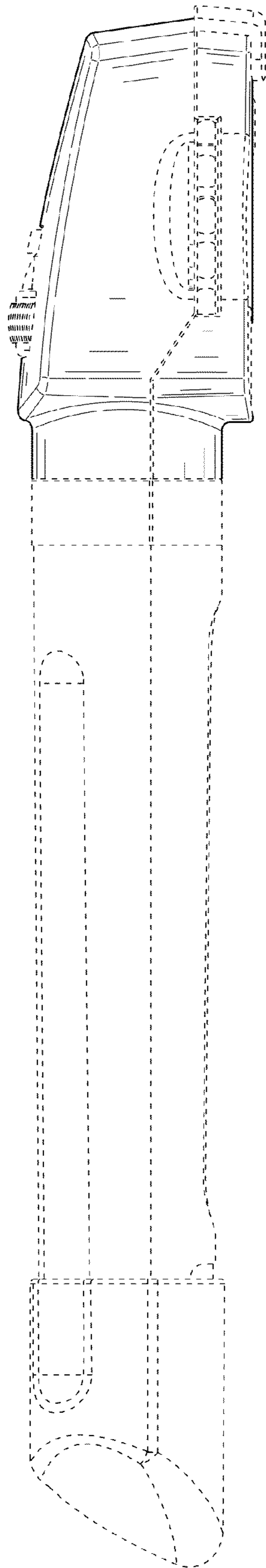


FIG. 5

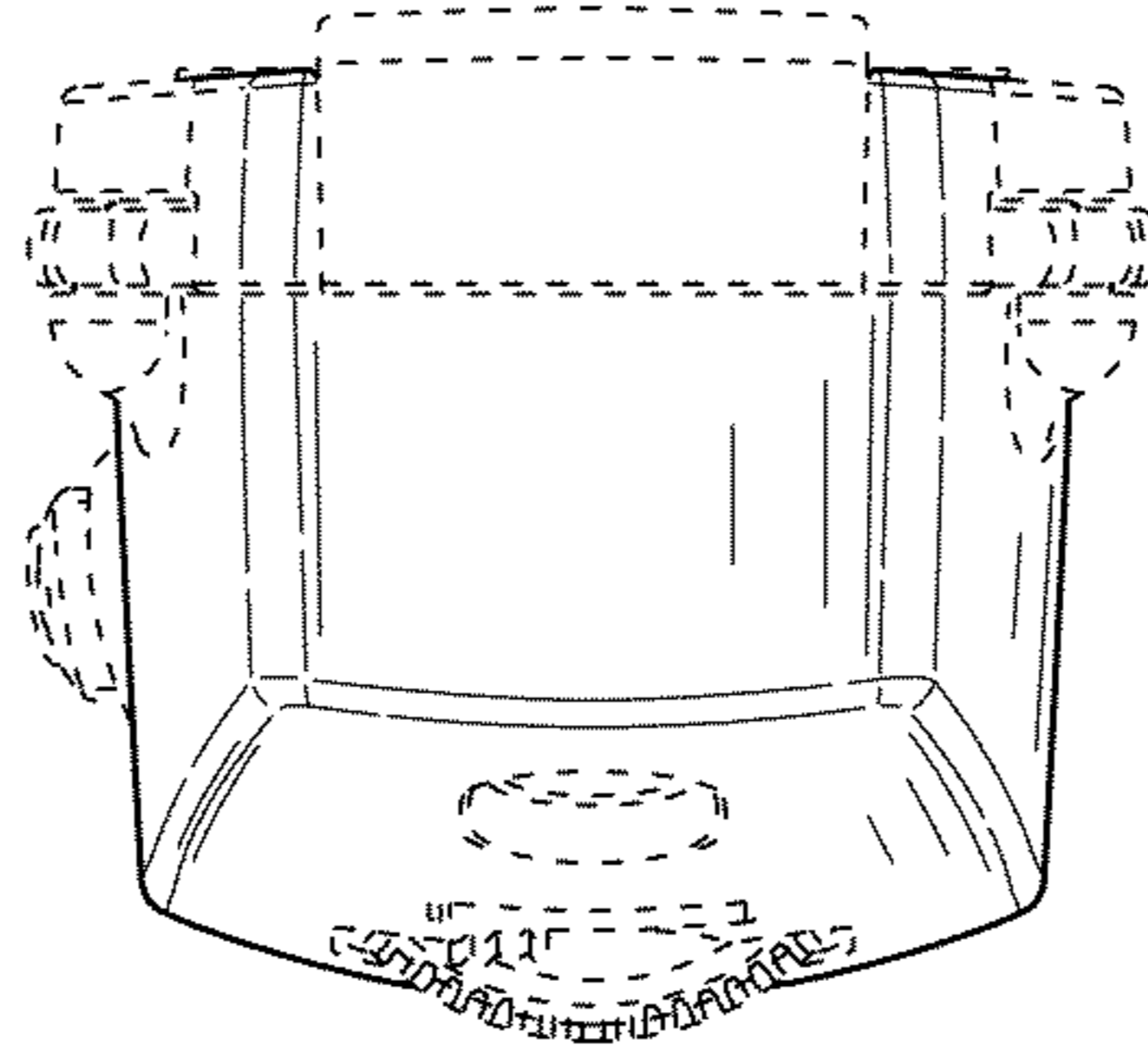


FIG. 6

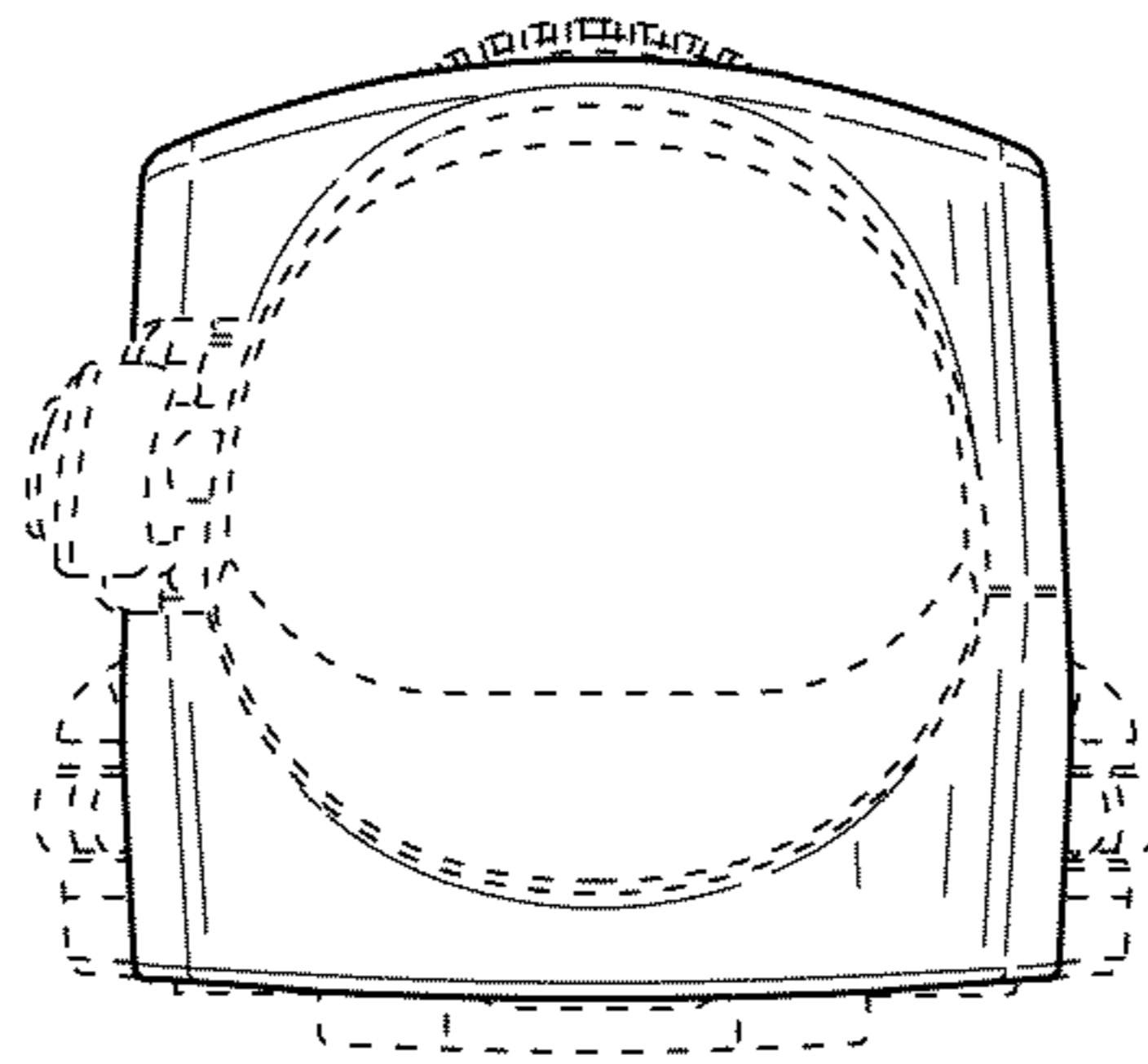


FIG. 7