



US00D760385S

(12) **United States Design Patent**  
**McKee**

(10) **Patent No.:** **US D760,385 S**  
(45) **Date of Patent:** **\*\* Jun. 28, 2016**

(54) **ENDOTRACHEAL TUBE BITE BLOCK**

(71) Applicant: **Mark McKee**, Denver, CO (US)

(72) Inventor: **Mark McKee**, Denver, CO (US)

(\*\*) Term: **14 Years**

(21) Appl. No.: **29/525,986**

(22) Filed: **May 5, 2015**

(51) **LOC (10) Cl.** ..... **24-02**

(52) **U.S. Cl.**  
USPC ..... **D24/128**

(58) **Field of Classification Search**  
USPC ..... D24/127-131, 112-114, 133, 186, 108;  
606/181, 185; 604/264, 523-528, 272,  
604/187, 158, 164.01-164.11, 181, 184,  
604/227; 600/101, 139, 143; 128/200.24,  
128/207.14, 207.15, 200.26  
CPC ..... A61M 16/0493; A61M 16/0488  
See application file for complete search history.

D348,099	S	6/1994	Terrian	
5,649,534	A	7/1997	Briggs, III	
5,862,801	A *	1/1999	Wells	A61M 16/0493
				128/200.26
6,390,094	B1 *	5/2002	Slionski	A61M 16/20
				128/207.14
D609,807	S *	2/2010	Hashimoto	D24/133
D625,805	S *	10/2010	Hereford	D24/108
8,001,964	B2	8/2011	McDonald	
8,631,795	B1	1/2014	McMurray	
8,636,009	B2 *	1/2014	Angel	A61F 2/04
				128/207.14
D701,304	S *	3/2014	Lair	D24/129
D713,028	S *	9/2014	Yevmenenko	D24/130
2003/0217744	A1	11/2003	Sugai	
2011/0180065	A1	7/2011	Hajgato	
2016/0051782	A1 *	2/2016	Reed	A61M 16/0493
				128/207.14

\* cited by examiner

*Primary Examiner* — David Muller

(57) **CLAIM**  
I claim the ornamental design for an endotracheal tube bite block, as shown and described.

(56) **References Cited**

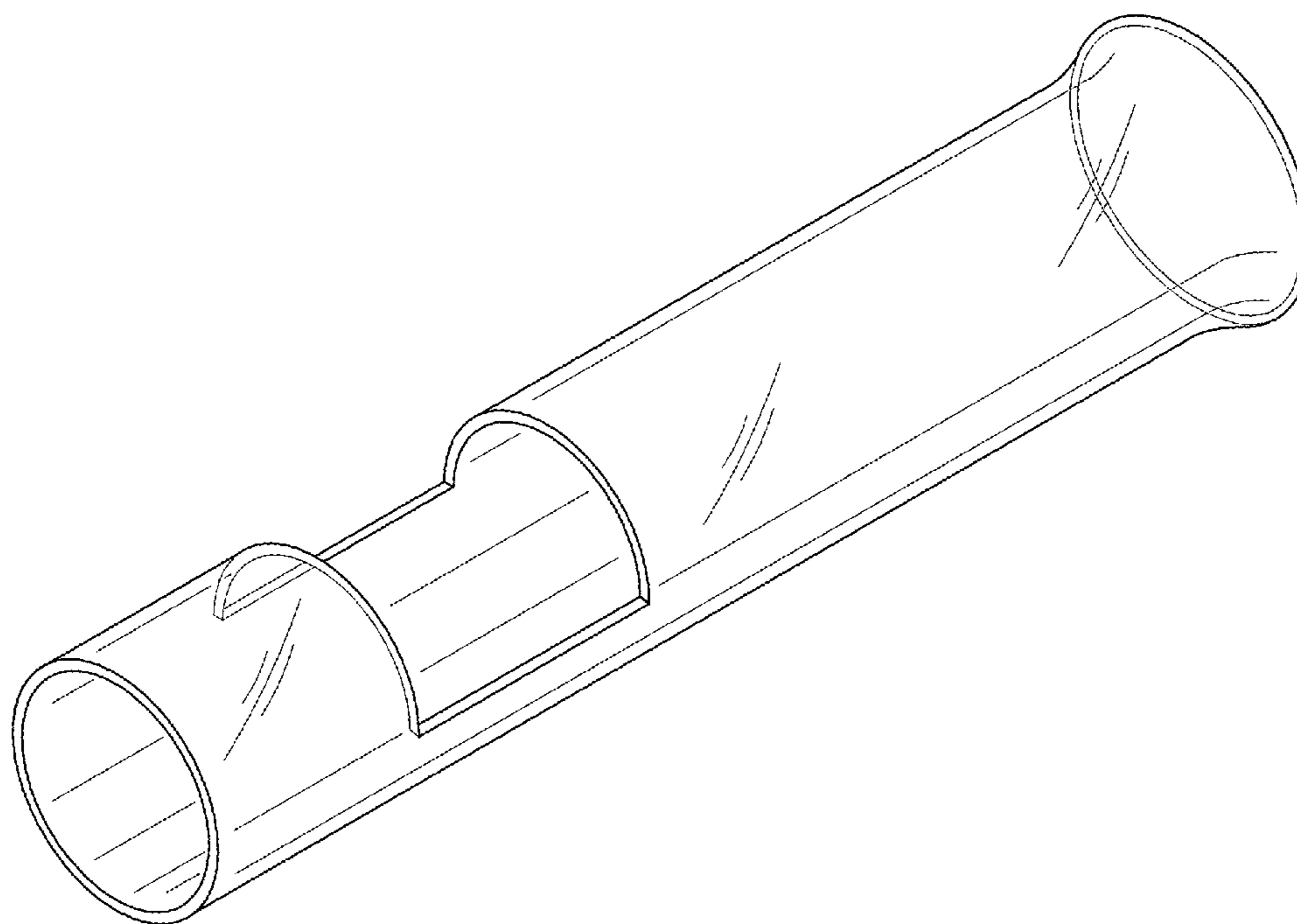
**U.S. PATENT DOCUMENTS**

3,508,543	A *	4/1970	Aulicono	A61M 16/0048
				128/202.28
D289,331	S *	4/1987	Briggs	D24/164
4,896,667	A *	1/1990	Magnuson	A61M 16/0488
				128/207.14
5,105,807	A *	4/1992	Kahn	A61M 25/02
				128/200.26
5,184,610	A *	2/1993	Marten	A61M 16/0465
				128/200.26

**DESCRIPTION**

FIG. 1 is a left side elevation view of the endotracheal tube bite block;  
FIG. 2 is a front elevation view thereof;  
FIG. 3 is a rear elevation view thereof;  
FIG. 4 is a top plan view thereof;  
FIG. 5 is a bottom plan view thereof; and,  
FIG. 6 is a perspective view thereof.

**1 Claim, 3 Drawing Sheets**



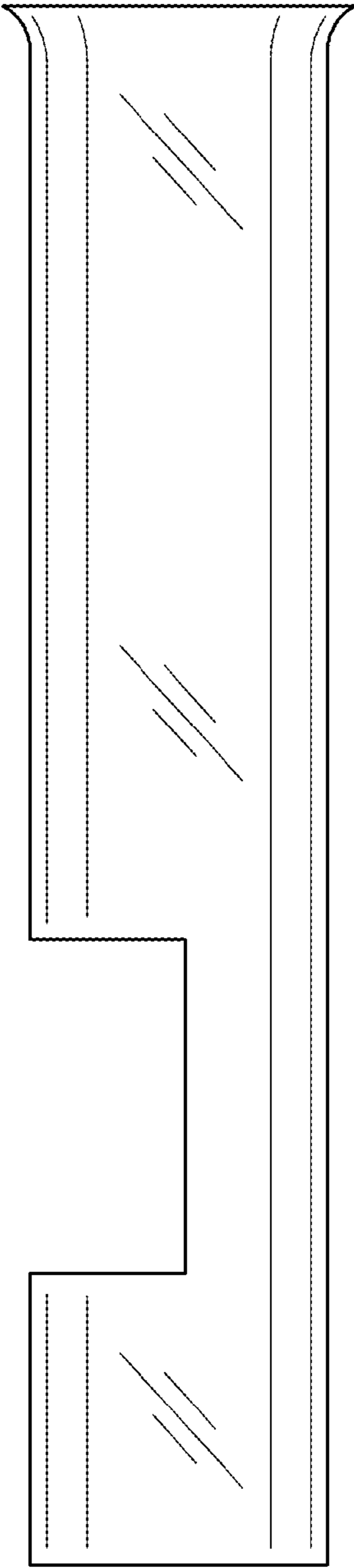


FIG. 1

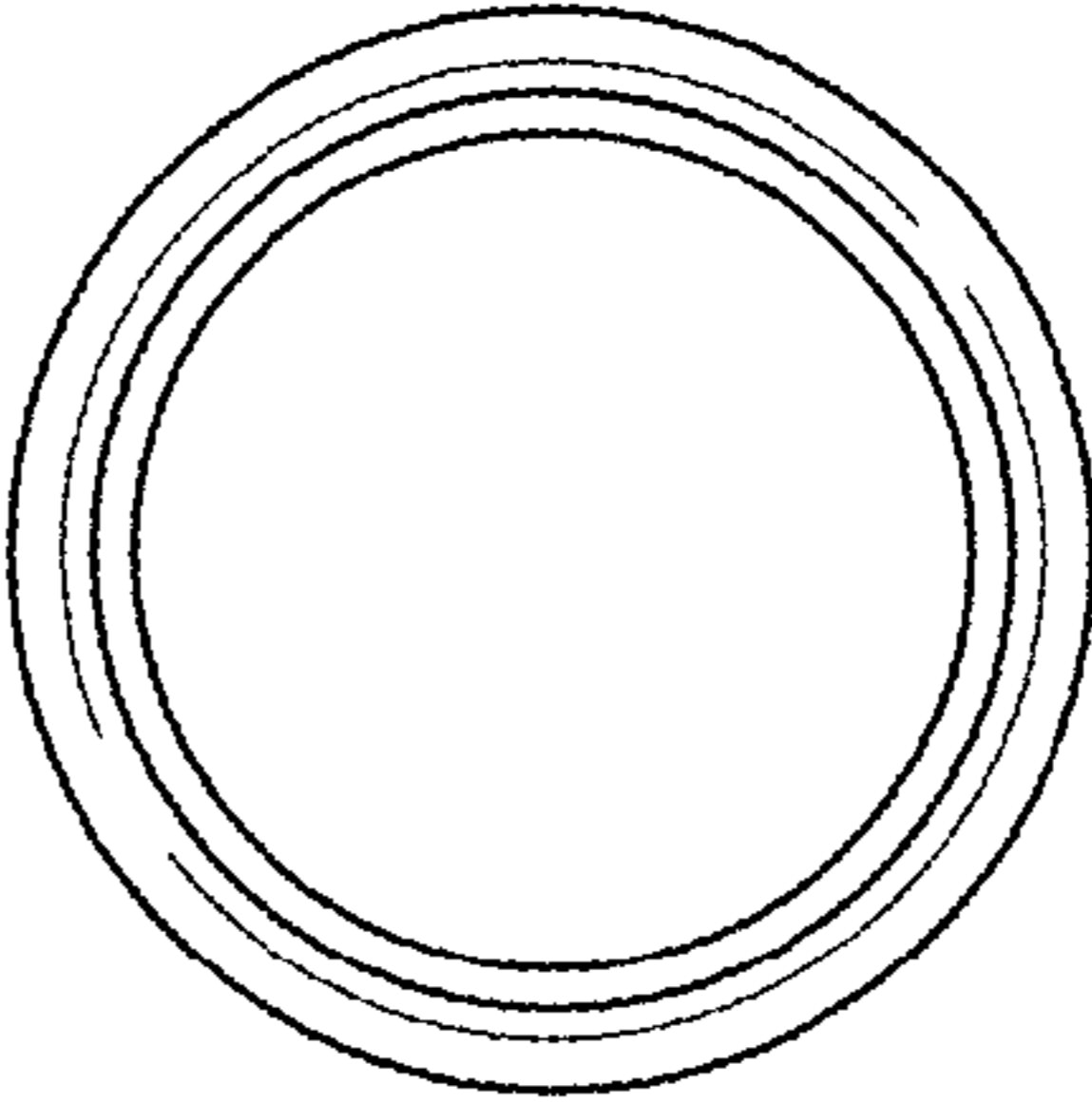


FIG. 2

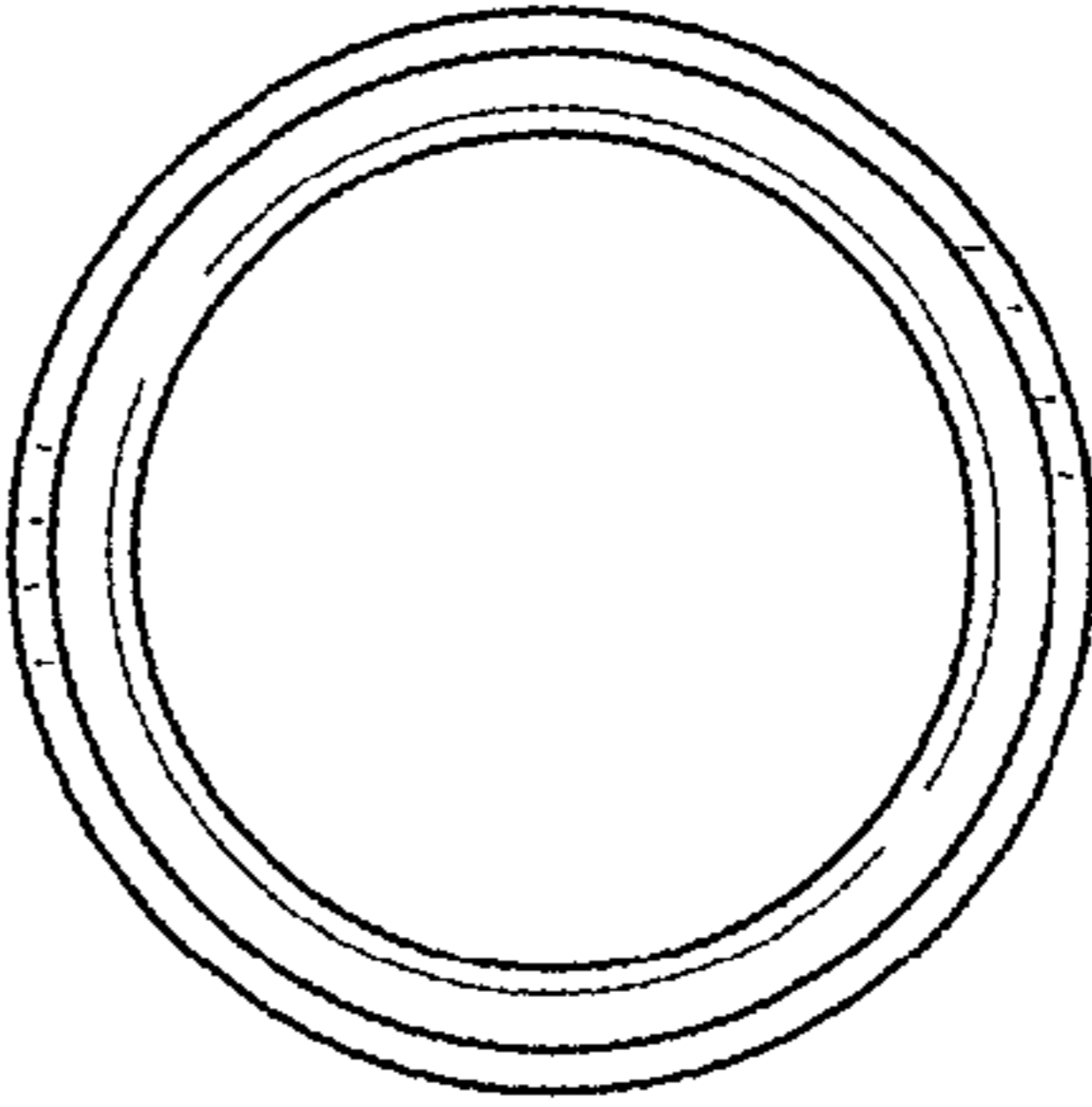


FIG. 3

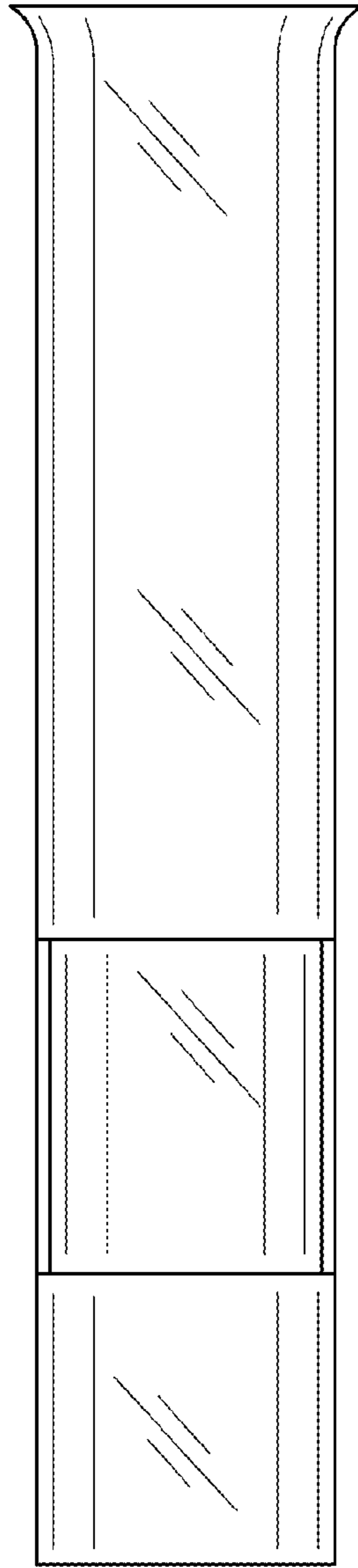


FIG. 4

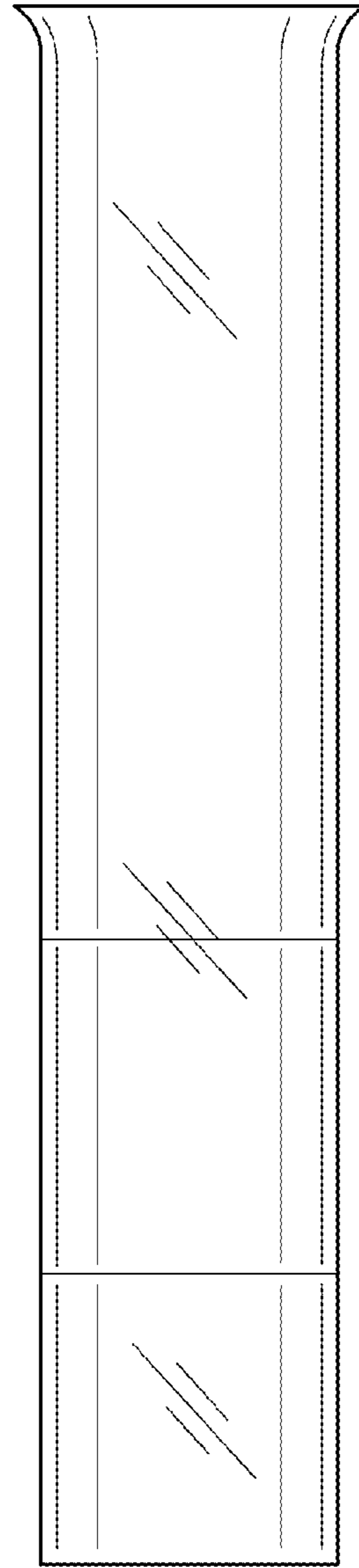


FIG. 5

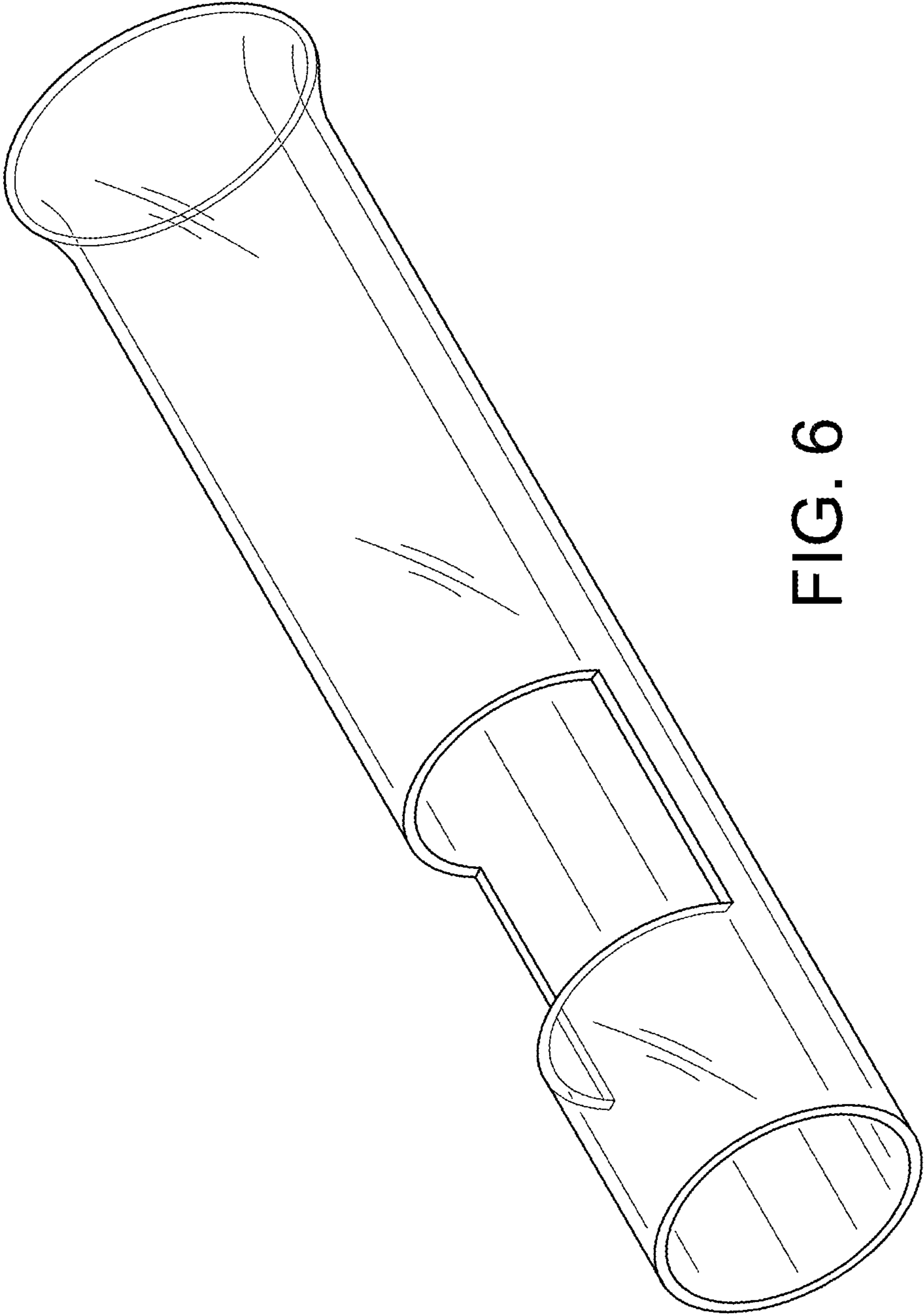


FIG. 6