



US00D760384S

(12) **United States Design Patent**
Niunoya et al.

(10) **Patent No.:** **US D760,384 S**
(45) **Date of Patent:** **** Jun. 28, 2016**

(54) **CAP FOR A BLOOD COLLECTION TUBE**

(71) Applicant: **SEKISUI MEDICAL CO., LTD.**,
Tokyo (JP)

(72) Inventors: **Masatoshi Niunoya**, Shunan (JP);
Ryusuke Okamoto, Shunan (JP)

(73) Assignee: **SEKISUI MEDICAL CO., LTD.**,
Tokyo (JP)

(**) Term: **14 Years**

(21) Appl. No.: **29/503,779**

(22) Filed: **Sep. 29, 2014**

(30) **Foreign Application Priority Data**

Mar. 31, 2014 (JP) 2014-006936

(51) **LOC (10) Cl.** **24-02**

(52) **U.S. Cl.**
USPC **D24/127**

(58) **Field of Classification Search**
USPC D24/127-131, 112-114, 133, 186;
606/181, 185; 604/264, 523-528, 272,
604/187, 158, 164.01-164.11, 181, 184,
604/227; 600/101, 139, 143; 128/200.24,
128/207.14, 207.15
CPC . A61M 25/065; A61M 5/42; A61M 25/0612;
A61M 25/00; A61M 27/00; A61M 39/00;
A61M 25/0043; A61M 25/0067; A61M
25/0097; A61F 2/958
See application file for complete search history.

(56) **References Cited**

U.S. PATENT DOCUMENTS

D568,468 S * 5/2008 Sudo D24/130
D612,939 S * 3/2010 Boone et al. D24/133
D631,542 S * 1/2011 DeGross et al. D24/129

D632,389 S * 2/2011 Maeda et al. D24/130
D665,498 S * 8/2012 Tamura et al. D24/130
8,317,812 B2 * 11/2012 Lum 606/181
D674,895 S * 1/2013 Rubin D24/129
D688,796 S * 8/2013 Niunoya et al. D24/127
D701,304 S * 3/2014 Lair et al. D24/129
D710,498 S * 8/2014 Koshidaka D24/130
D717,948 S * 11/2014 Strong et al. D24/130
D722,689 S * 2/2015 Miceli et al. D24/127
D733,291 S * 6/2015 Wang D24/129

* cited by examiner

Primary Examiner — David Muller

(74) *Attorney, Agent, or Firm* — Cheng Law Group, PLLC

(57) **CLAIM**

An ornamental design for a cap for a blood collection tube, as shown and described.

DESCRIPTION

FIG. 1 is a front elevational view of a cap for a blood collection tube, showing our new design;
FIG. 2 is a rear elevational view thereof;
FIG. 3 is a right side elevational view thereof, with the left side elevational view being identical thereto;
FIG. 4 is a top plan view thereof;
FIG. 5 is a bottom plan view thereof;
FIG. 6 is a perspective view thereof;
FIG. 7 is a cross sectional view taken along line 7-7 of FIG. 4;
FIG. 8 is a perspective view of a blood collection tube with the cap attached;
FIG. 9 is a top plan view of a stopper member of the cap, the stopper member shown separately for ease of illustration;
FIG. 10 is a front elevational view thereof;
FIG. 11 is a right side elevational view thereof;
FIG. 12 is a perspective view thereof; and,
FIG. 13 is a bottom plan view thereof.
The blood collection tube shown in broken lines in FIG. 8 does not form part of the claimed design.

1 Claim, 13 Drawing Sheets

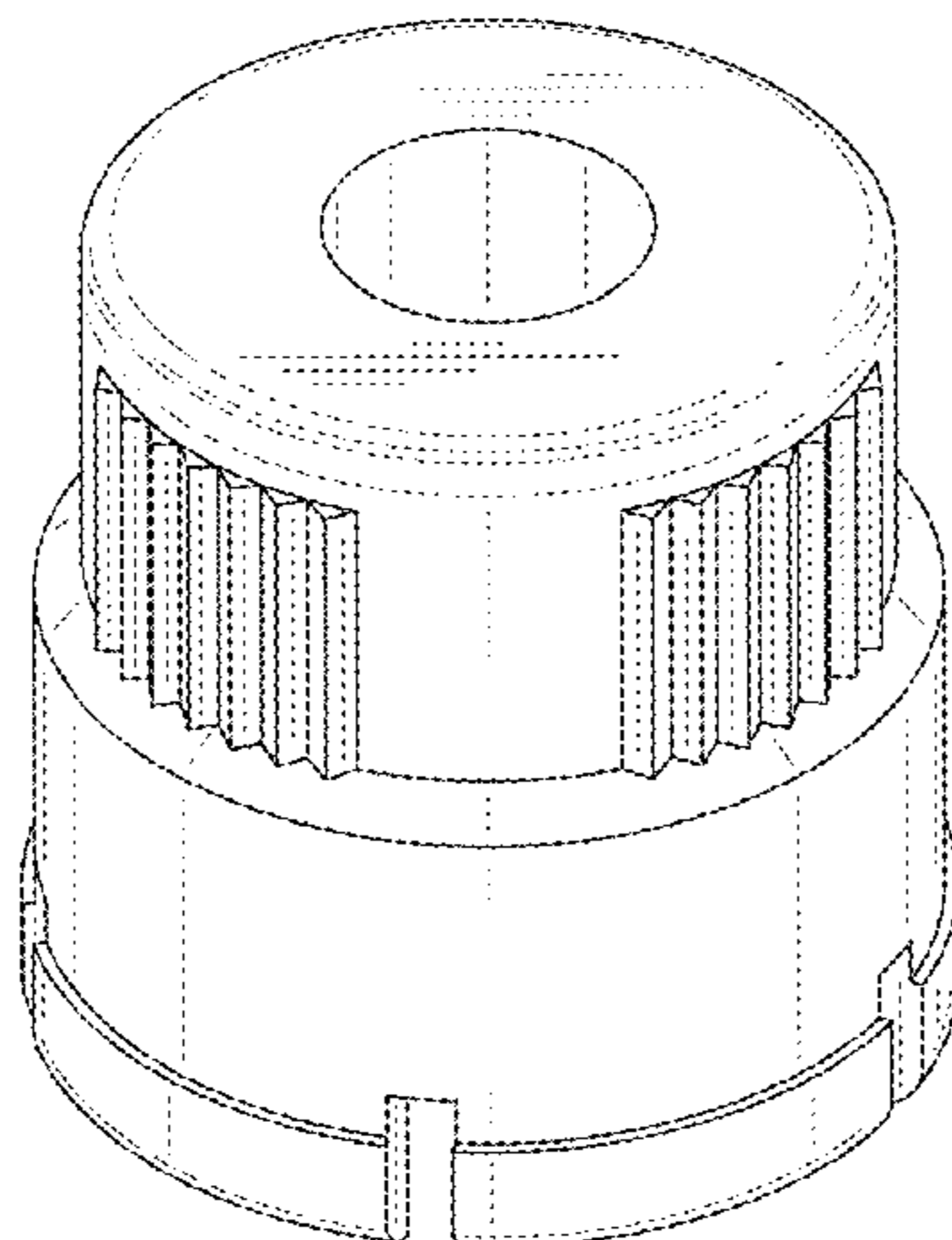


FIG. 1

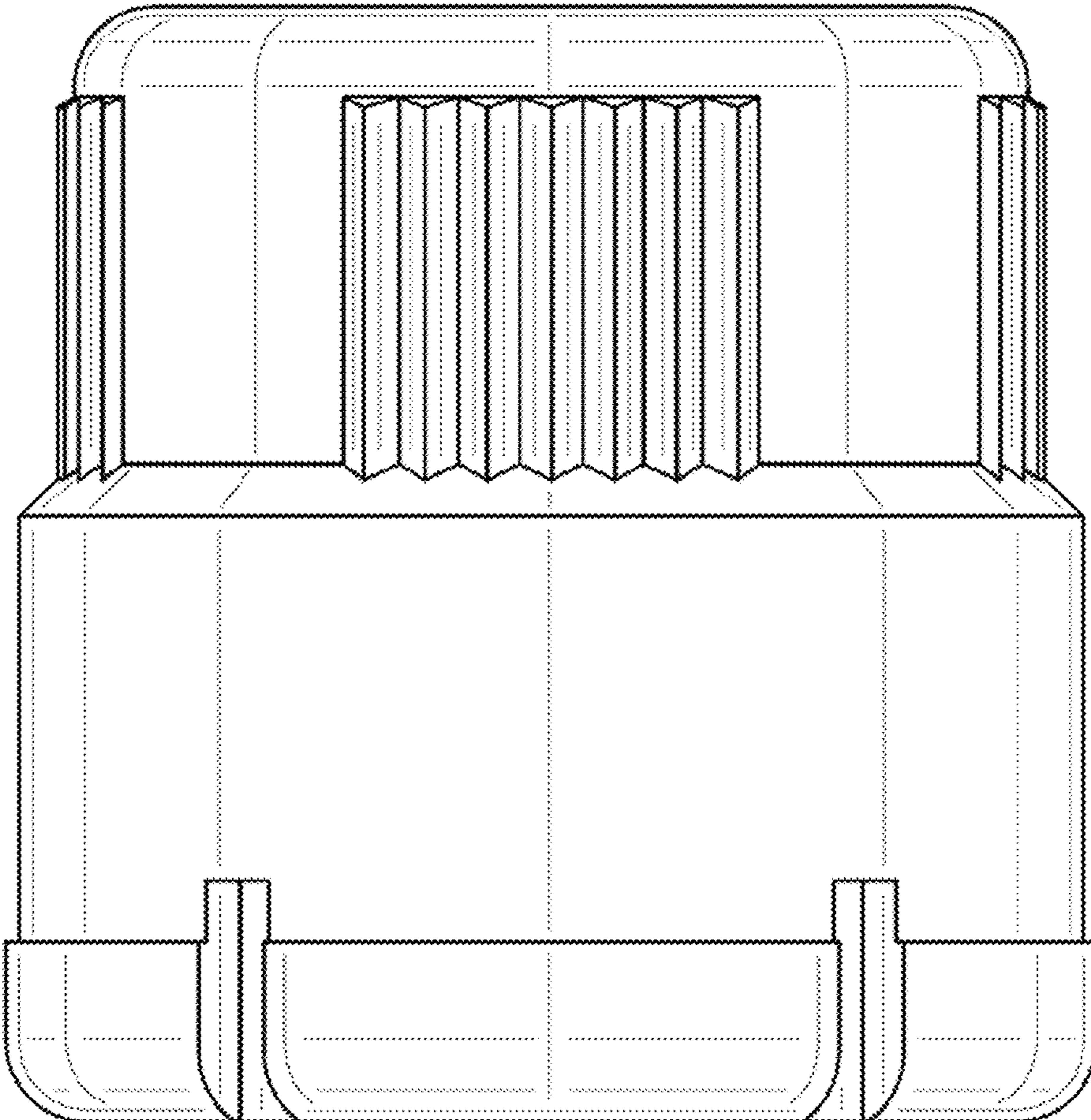


FIG. 2

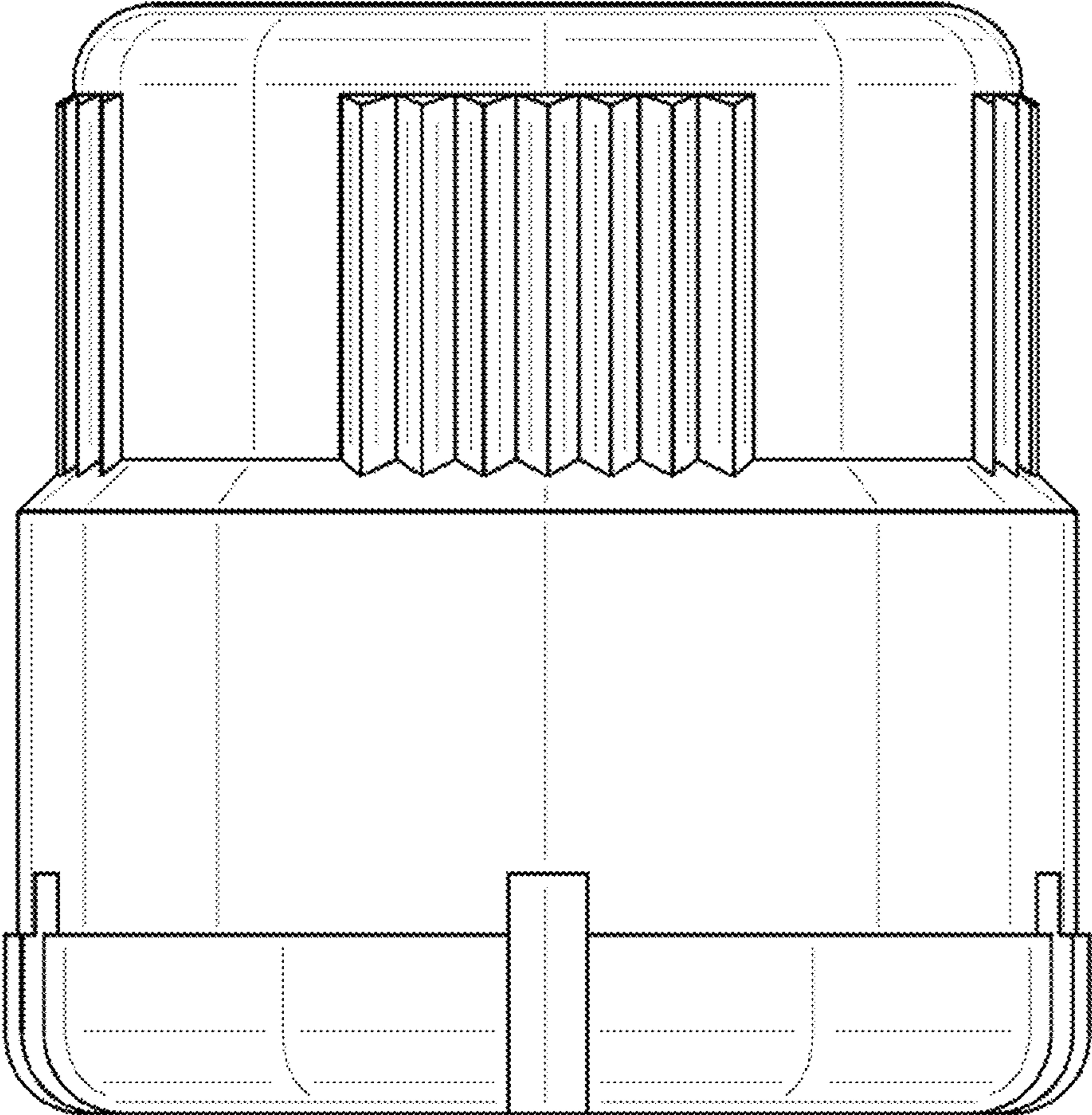


FIG. 3

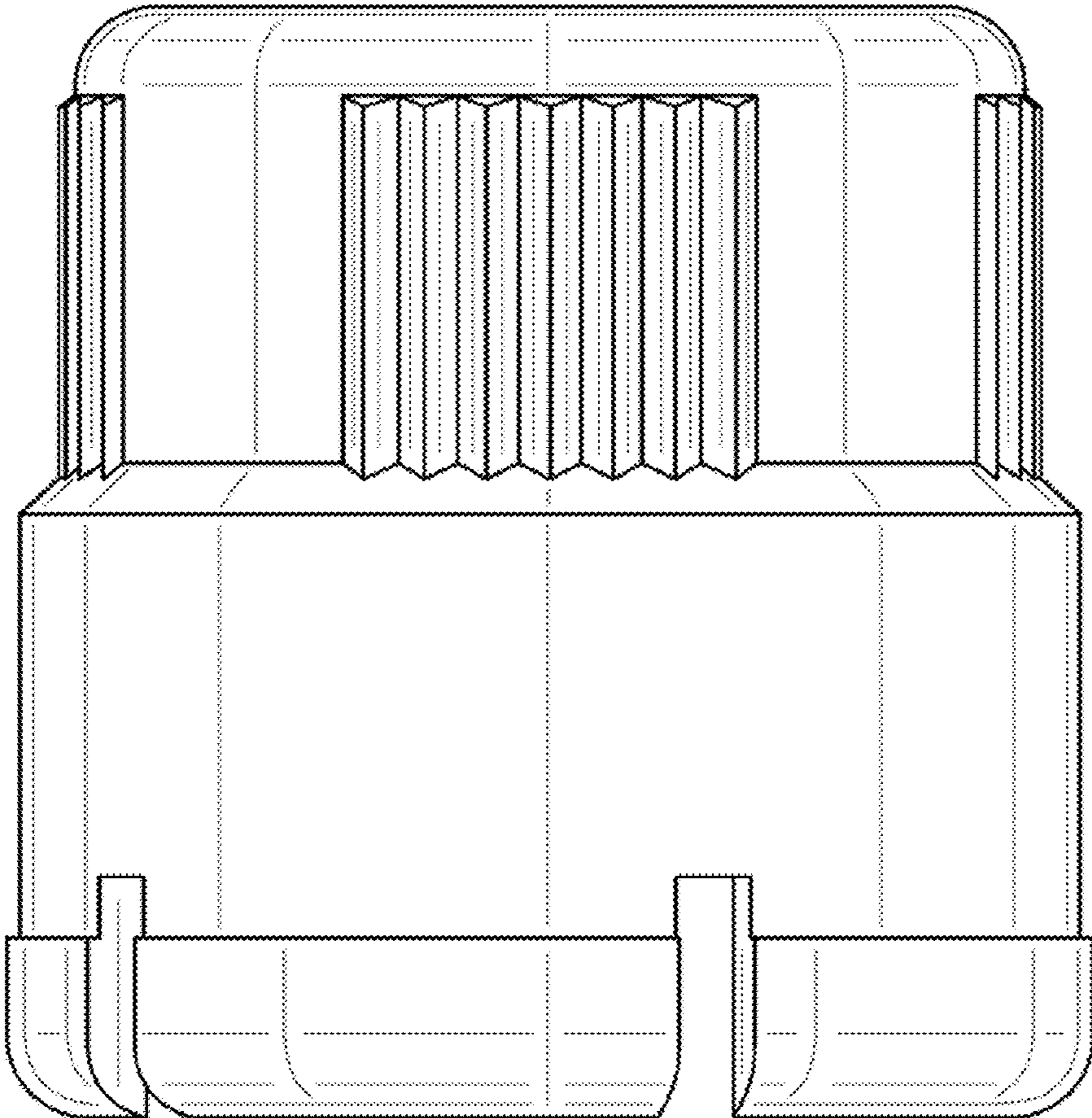


FIG. 4

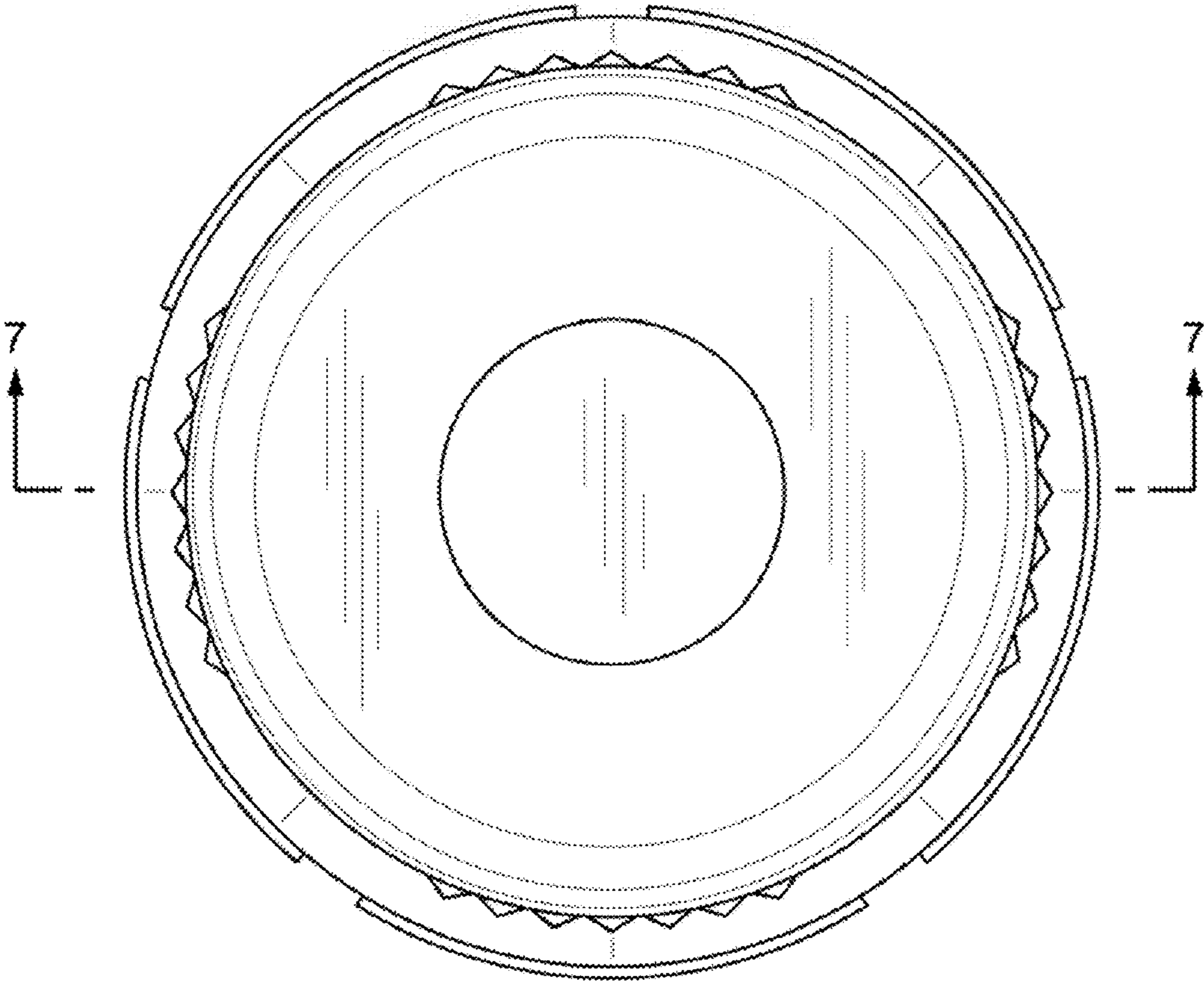


FIG. 5

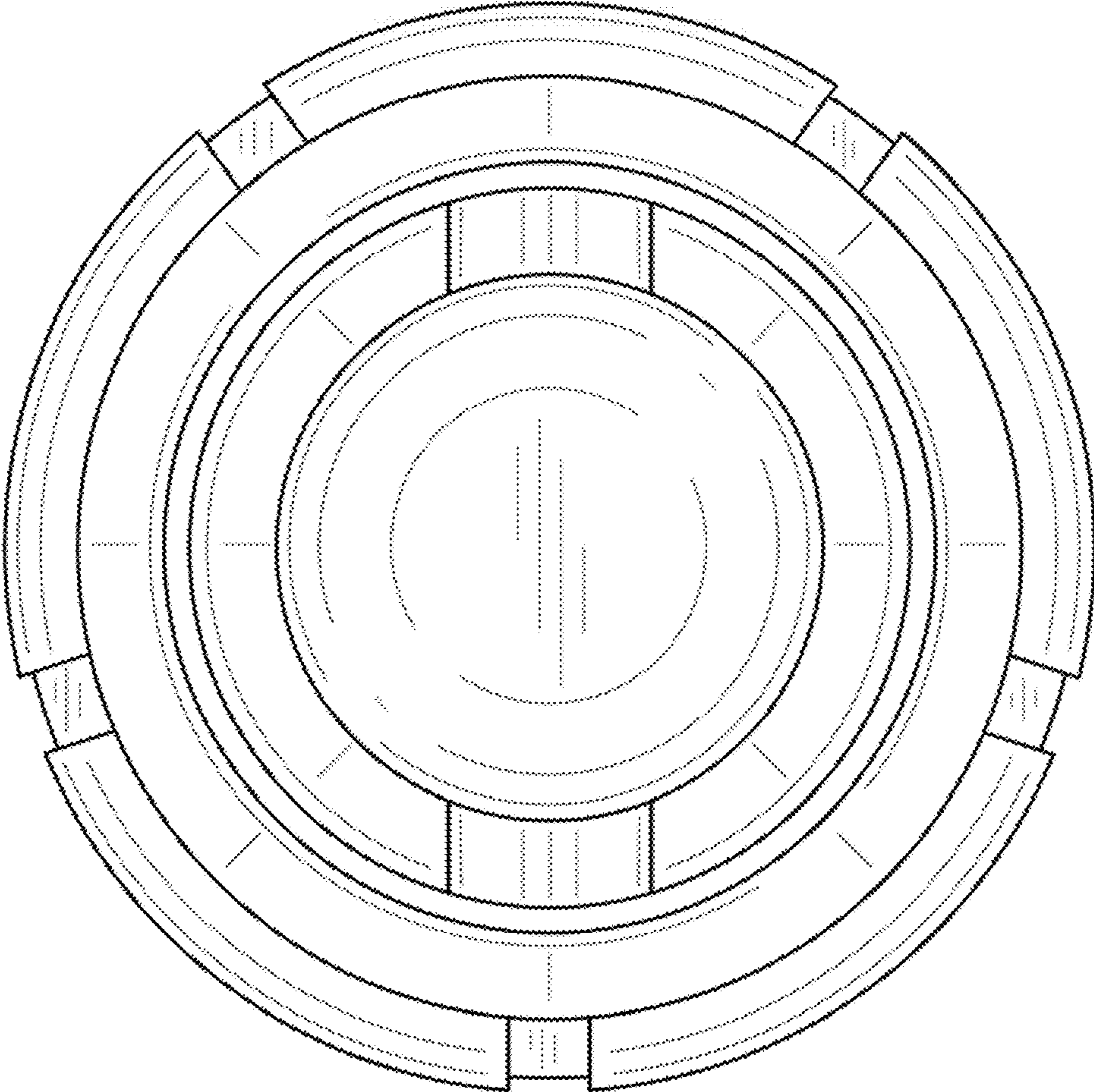


FIG. 6

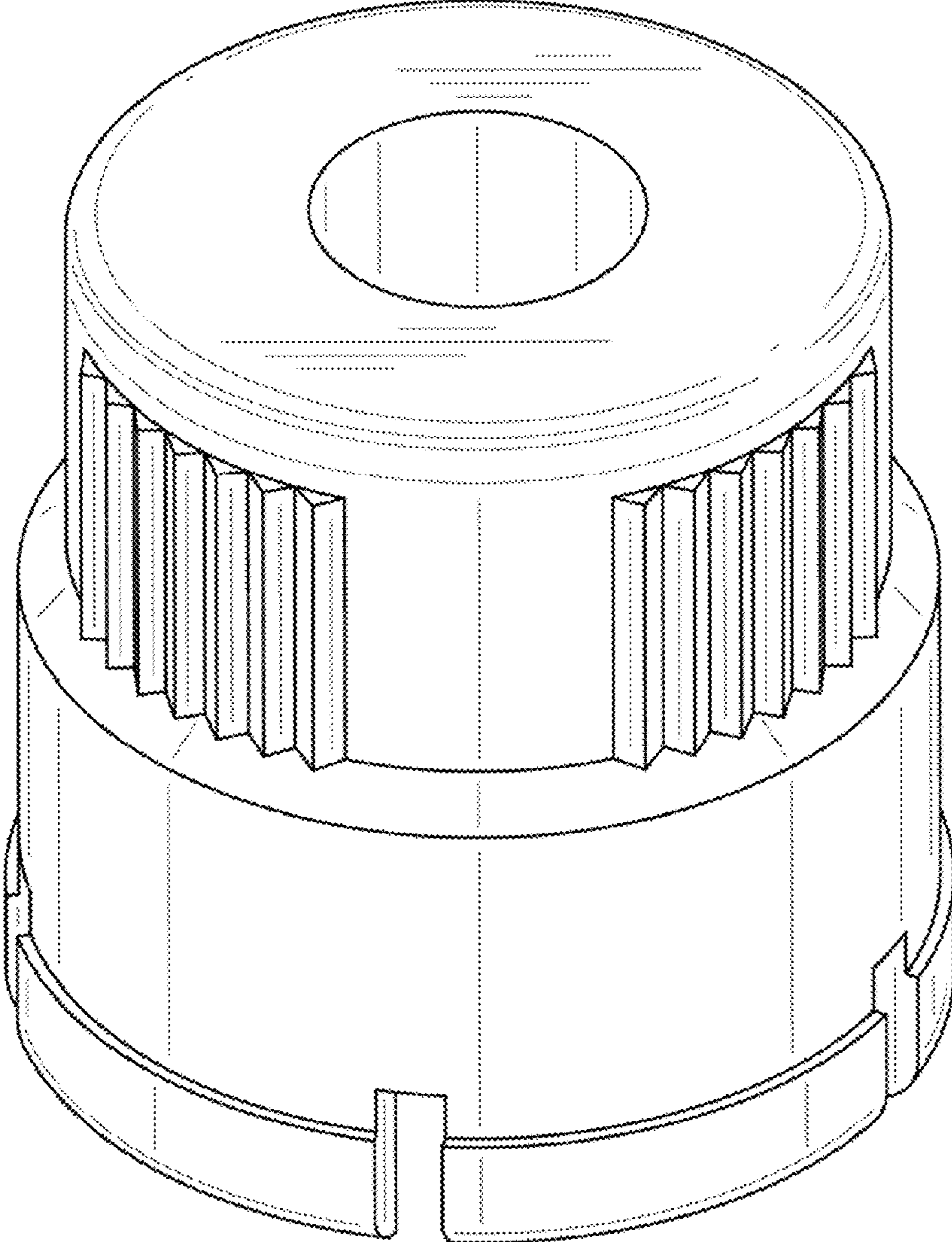


FIG. 7

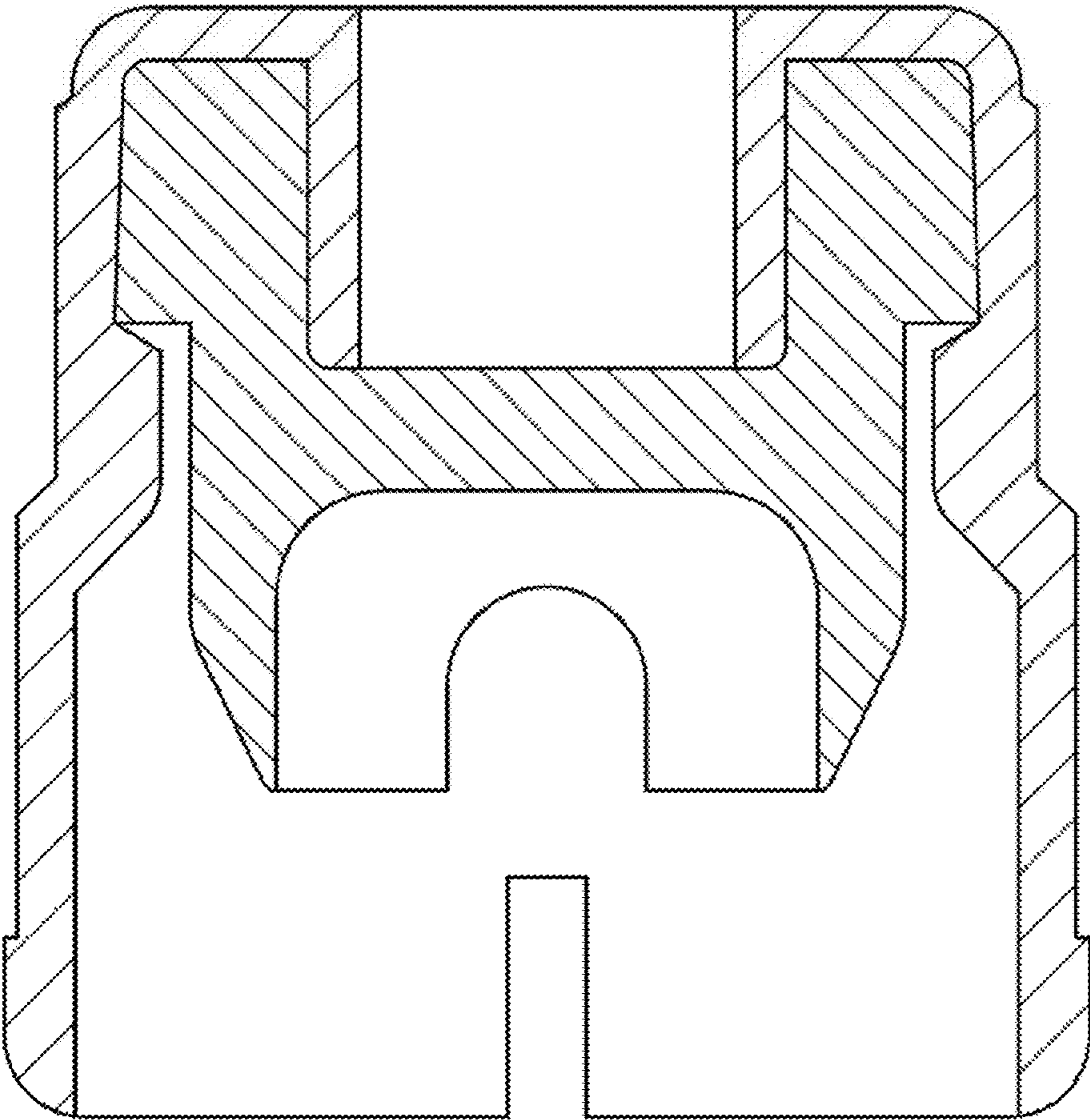


FIG. 8

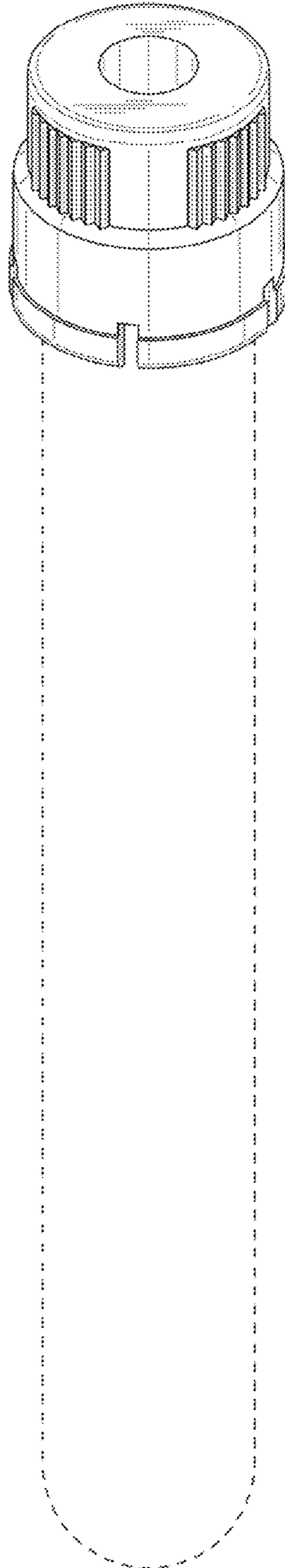


FIG. 9

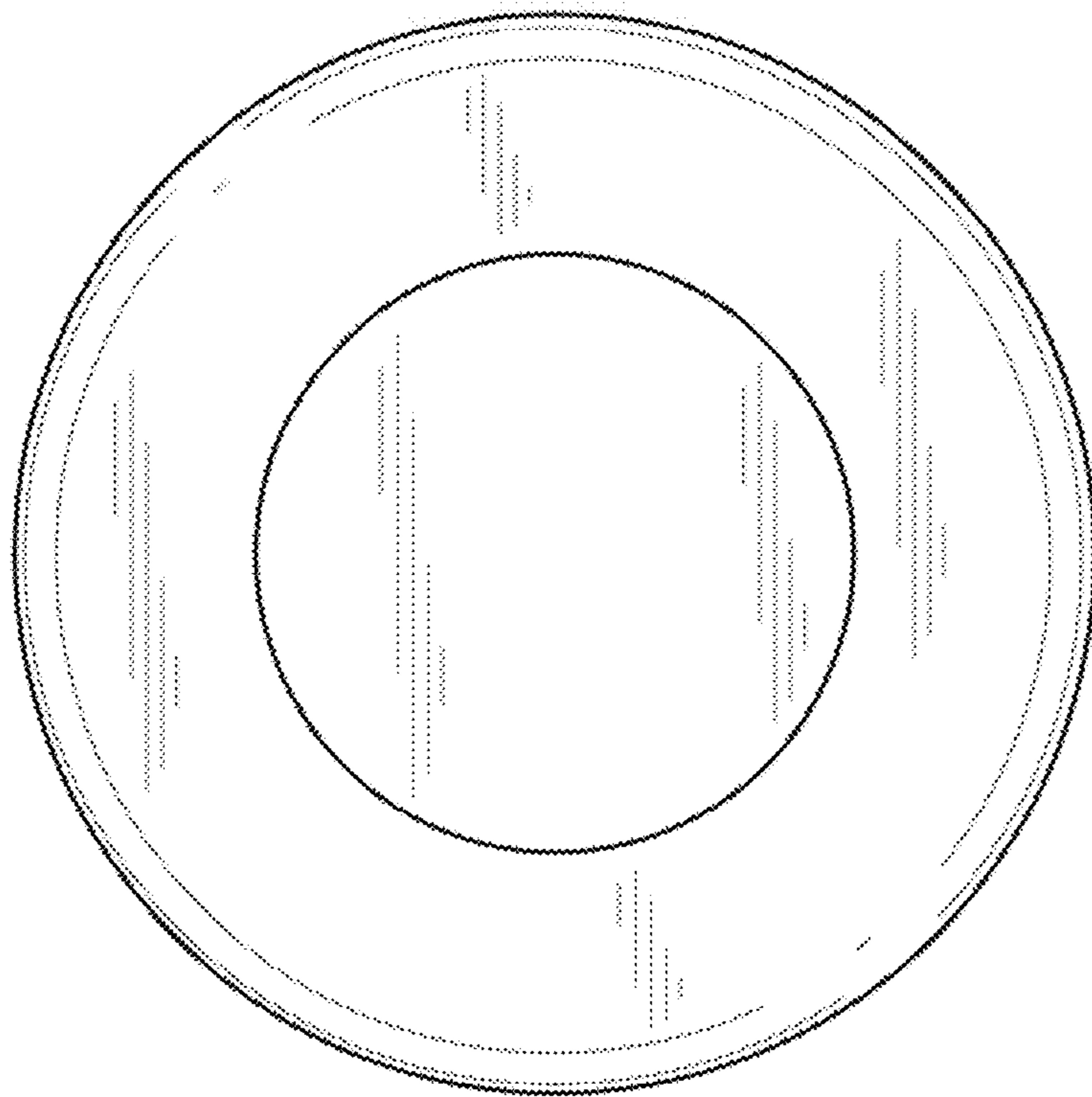


FIG. 10

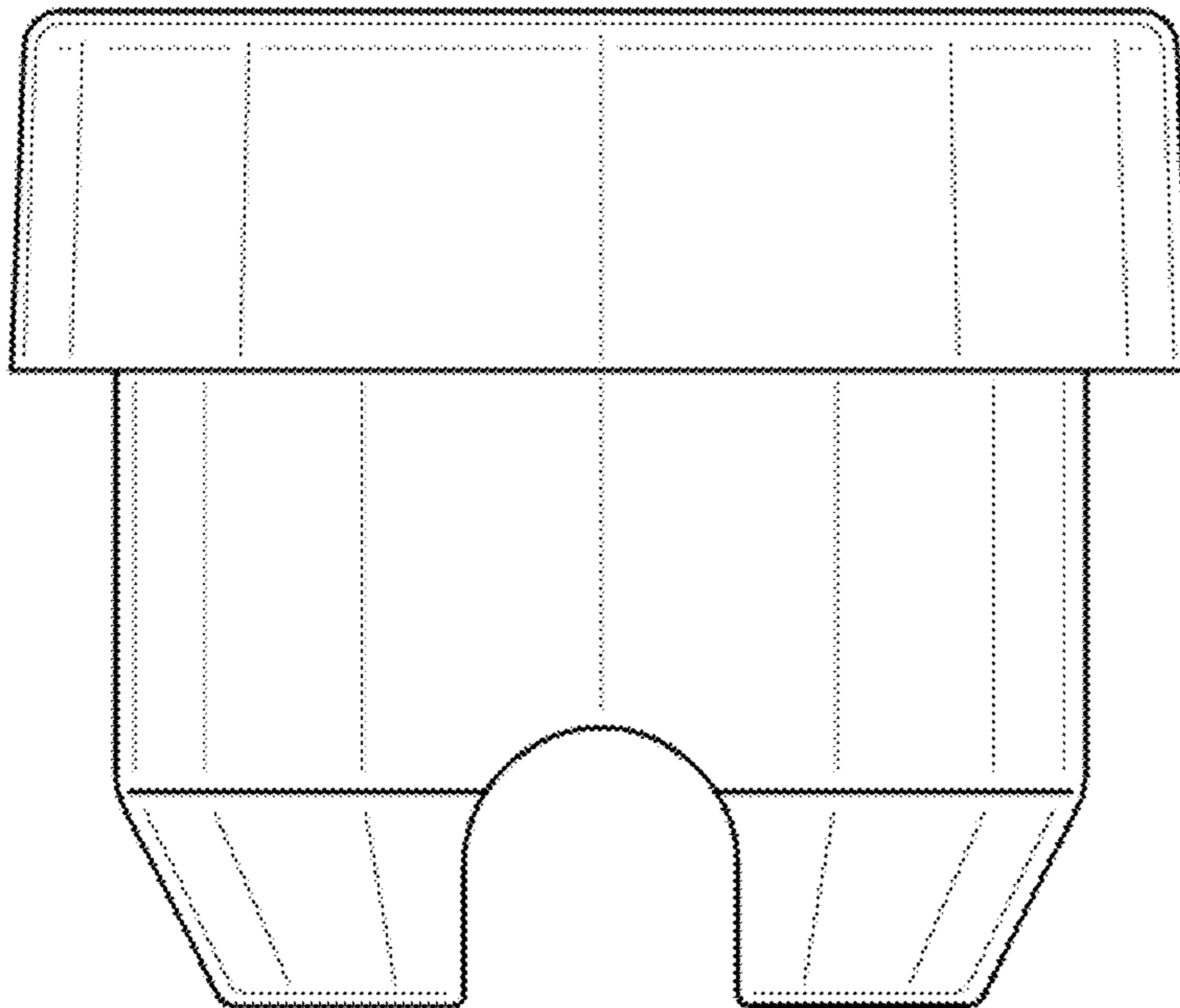


FIG. 11

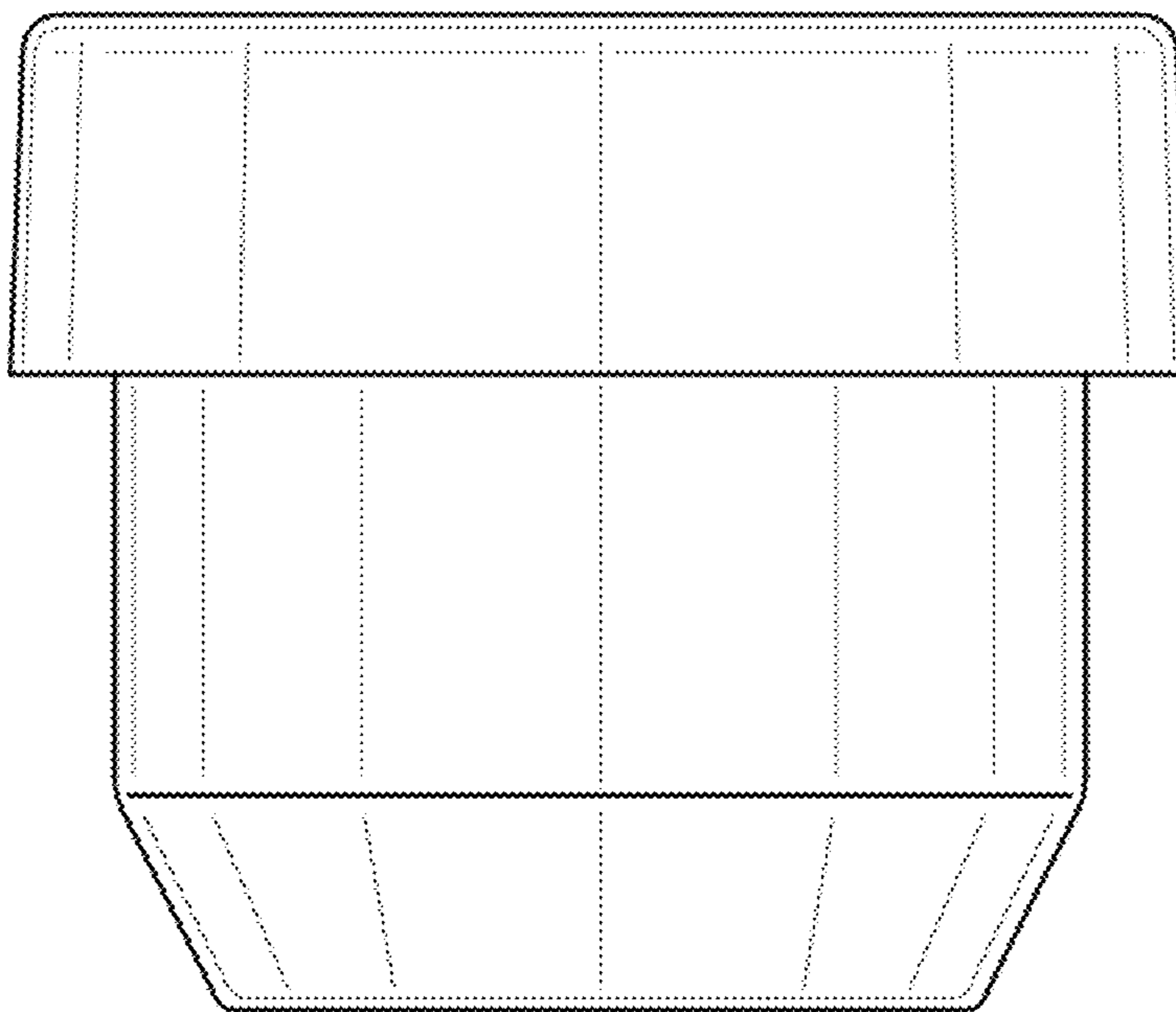


FIG. 12

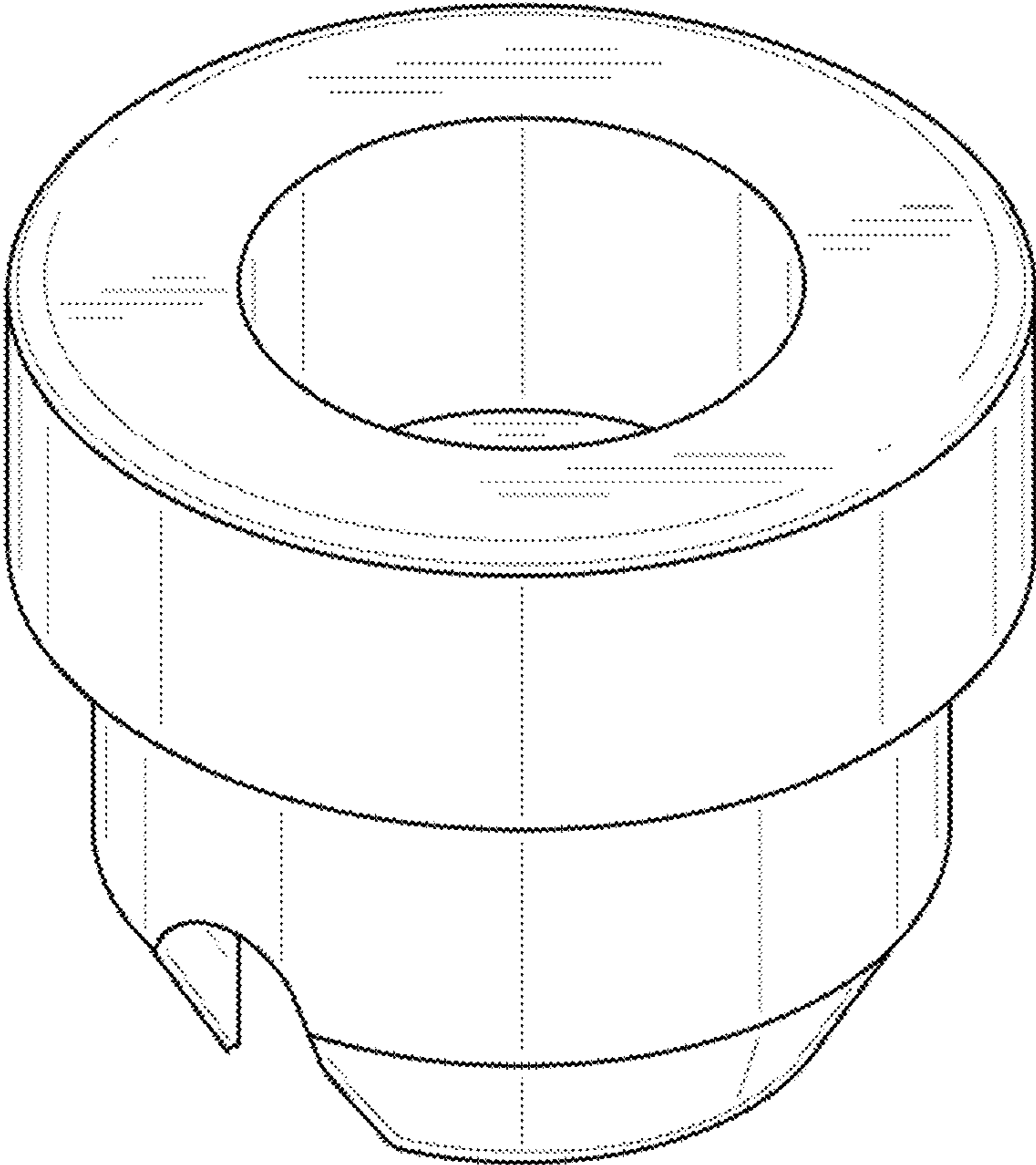


FIG. 13

