

US00D760382S

(12) **United States Design Patent**
Eisele et al.

(10) **Patent No.:** **US D760,382 S**
(45) **Date of Patent:** **** Jun. 28, 2016**

- (54) **DRENCHER**
- (71) Applicant: **Henke-Sass, Wolf GmbH**, Tuttlingen (DE)
- (72) Inventors: **Melanie Eisele**, Wurmlingen (DE);
Stefan Knefel, Steisslingen (DE)
- (73) Assignee: **HENKE-SASS, WOLF GMBH**, Tuttlingen (DE)
- (**) Term: **14 Years**
- (21) Appl. No.: **29/479,516**
- (22) Filed: **Jan. 16, 2014**

- (30) **Foreign Application Priority Data**
- Jul. 17, 2013 (EM) 002276147
- (51) **LOC (10) Cl.** **24-02**
- (52) **U.S. Cl.**
- USPC **D24/113**
- (58) **Field of Classification Search**
- USPC D24/112-114, 108, 133, 130, 127, 186;
606/181, 185; 604/264, 272, 187, 181,
604/184, 227
- CPC A61D 7/00; A61M 5/204; A61M 5/315
- See application file for complete search history.

- (56) **References Cited**
- U.S. PATENT DOCUMENTS**
- D383,839 S * 9/1997 Sullivan D24/113
- 6,024,728 A * 2/2000 Schulz 604/224
- D497,204 S * 10/2004 Von Amende et al. D24/113
- 6,989,000 B2 * 1/2006 Schreijag et al. 604/68

- 7,341,574 B2 * 3/2008 Schreijag 604/224
- D575,865 S * 8/2008 Keuffel et al. D24/113
- D636,872 S * 4/2011 Marescaux et al. D24/133
- D651,311 S * 12/2011 Triplett D24/133
- D668,330 S * 10/2012 Rueckert et al. D24/114
- 2007/0069672 A1 * 3/2007 Glasgow et al. 318/280
- 2010/0145283 A1 * 6/2010 Walker et al. 604/192
- 2012/0130344 A1 * 5/2012 Ebbett et al. 604/506
- 2012/0226261 A1 * 9/2012 Barnett et al. 604/514

OTHER PUBLICATIONS

Reddot 21, Eco-Matic Drecher for Veterinary medicine, Jul. 16, 2014, <http://www.red-dot-21.com/products/eco-matic-drecher-syring-20360>.*

* cited by examiner

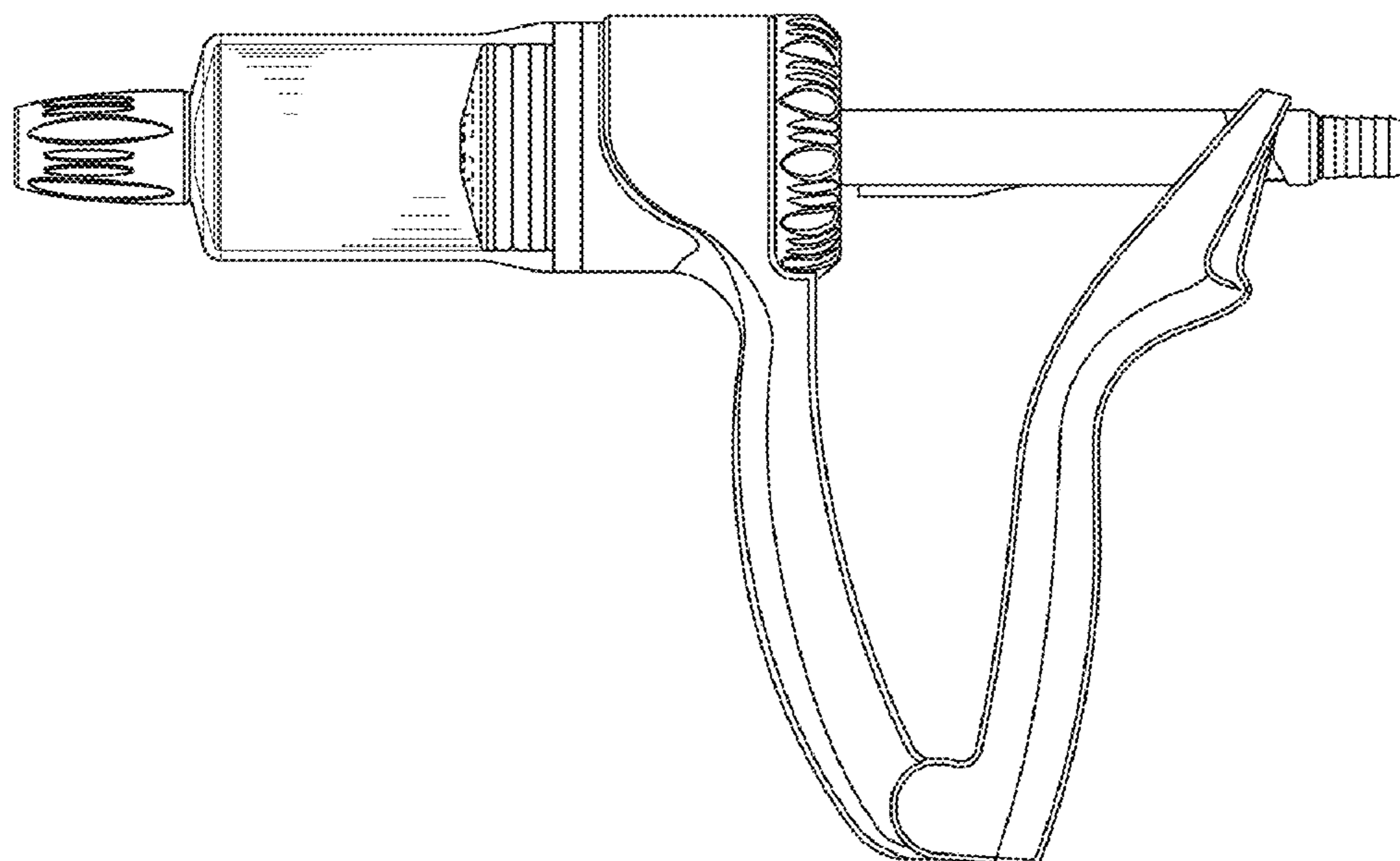
Primary Examiner — David Muller
Assistant Examiner — Nathan Johnston
(74) *Attorney, Agent, or Firm* — Christensen Fonder P.A.

- (57) **CLAIM**
- We claim the ornamental design for a drencher, as shown and described.

DESCRIPTION

FIG. 1 is a side elevation view of the drencher, the view from the opposite side being a mirror image thereof.
FIG. 2 is a front elevation view thereof.
FIG. 3 is a rear elevation view thereof.
FIG. 4 is a top plan view thereof; and,
FIG. 5 is a bottom plan view thereof.
The portions shown as dashed lines are environmental and form no part of the claimed invention.

1 Claim, 2 Drawing Sheets



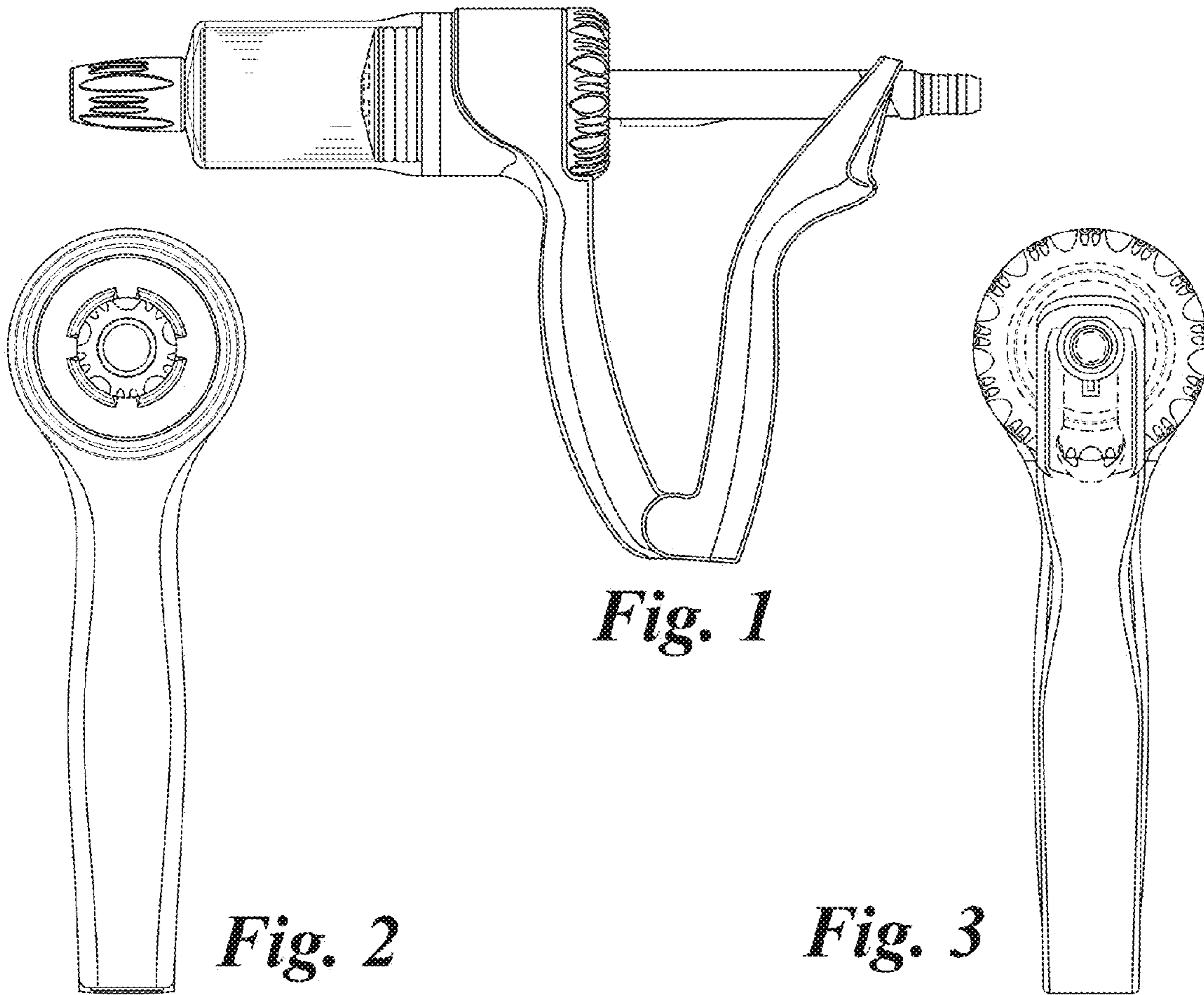


Fig. 1

Fig. 2

Fig. 3

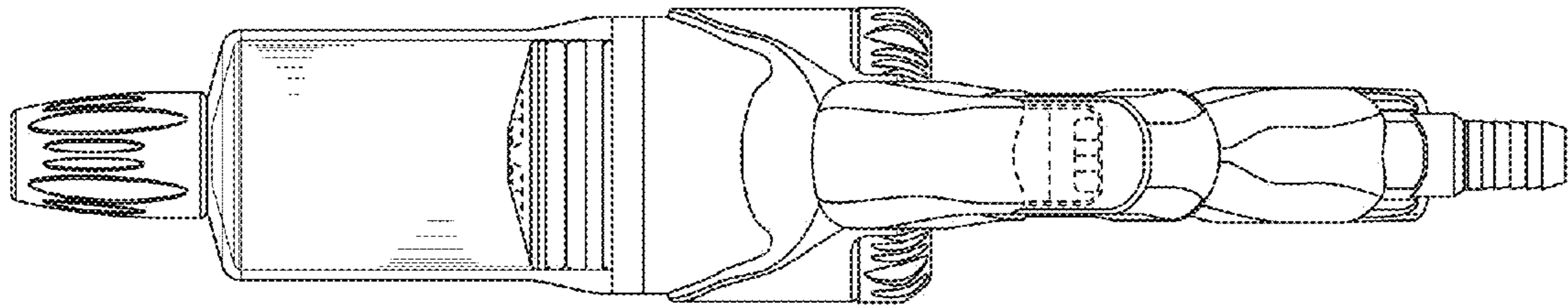


Fig. 4

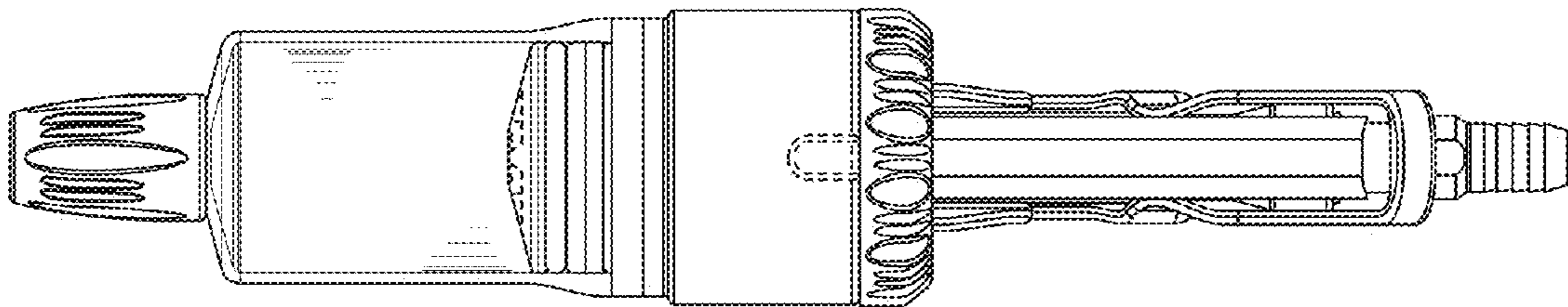


Fig. 5