



US00D760381S

(12) **United States Design Patent**
Fox

(10) **Patent No.:** **US D760,381 S**
(45) **Date of Patent:** **** Jun. 28, 2016**

- (54) **ORBITAL INJECTION CANNULA**
- (71) Applicant: **Donald Fox**, New York, NY (US)
- (72) Inventor: **Donald Fox**, New York, NY (US)
- (**) Term: **14 Years**
- (21) Appl. No.: **29/494,961**
- (22) Filed: **Jun. 25, 2014**
- (51) **LOC (10) Cl.** **24-02**
- (52) **U.S. Cl.**
USPC **D24/112**
- (58) **Field of Classification Search**
USPC D24/112–114, 108, 130, 127, 133, 186;
606/181, 185; 604/264, 523–528, 272,
604/164.01–164.11, 187, 93.01; 600/101,
600/139, 143; 128/200.24, 207.14, 207.15
CPC . A61M 25/065; A61M 5/42; A61M 25/0612;
A61M 25/00; A61M 39/00; A61M 27/00;
A61M 25/0043; A61M 25/0067; A61M
25/0097; A61F 2/958
See application file for complete search history.

(56) **References Cited**

U.S. PATENT DOCUMENTS

4,265,231	A	5/1981	Scheller, Jr. et al.	
D345,417	S *	3/1994	Sharipov	D24/108
6,135,984	A	10/2000	Dishler	
D450,382	S *	11/2001	Nestenberg	D24/112
6,413,245	B1	7/2002	Yaacobi et al.	
D543,626	S	5/2007	Watschke et al.	
7,357,773	B2	4/2008	Watschke	
7,547,323	B2	6/2009	Lavigne	
D616,087	S	5/2010	Brigatti et al.	

(Continued)

OTHER PUBLICATIONS

Guttman, Cheryl. "Cannula Approach Using Posterior Delivery Brings Unparalleled Safety." *Ophthalmology Times*; Mar 1, 2003; 28, 5; ProQuest Central, p. 22.

(Continued)

Primary Examiner — David Muller
(74) *Attorney, Agent, or Firm* — Kim Winston LLP

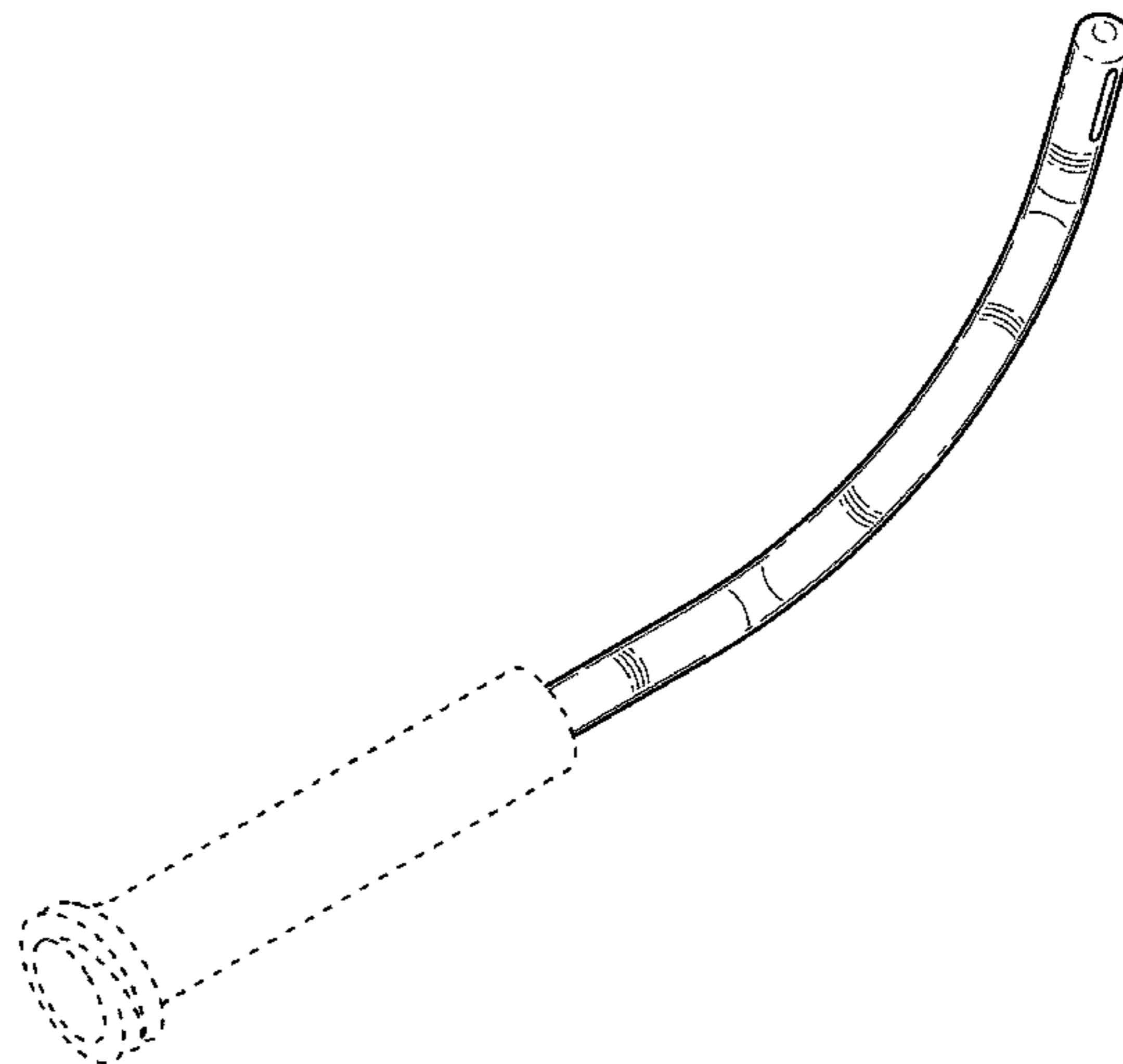
(57) **CLAIM**

The ornamental design for an orbital injection cannula, as shown and described.

DESCRIPTION

FIG. 1 is a first perspective view of an orbital injection cannula in accordance with a first embodiment of the new design; FIG. 2 is a second perspective view of the orbital injection cannula of FIG. 1; FIG. 3 is a third perspective view of the orbital injection cannula of FIG. 1; FIG. 4 is a left side elevation view thereof; FIG. 5 is a right side elevation view thereof; FIG. 6 is a front elevation view thereof; FIG. 7 is a rear elevation view thereof; FIG. 8 is a top plan view thereof; FIG. 9 is a bottom plan view thereof; FIG. 10 is a first perspective view of an orbital injection cannula in accordance with a second embodiment of the new design; FIG. 11 is a second perspective view of the orbital injection cannula of FIG. 10; FIG. 12 is a third perspective view of the orbital injection cannula of FIG. 10; FIG. 13 is a left side elevation view thereof; FIG. 14 is a right side elevation view thereof; FIG. 15 is a front elevation view thereof; FIG. 16 is a rear elevation view thereof; FIG. 17 is a top plan view thereof; and, FIG. 18 is a bottom plan view thereof. FIGS. 1-9 show a right orbital injection cannula. A left orbital injection cannula is shown in FIGS. 10-18, and is a mirror image of the right orbital injection cannula. The broken lines in the drawing figures illustrate portions of the orbital injection cannula which form no part of the claimed design.

1 Claim, 8 Drawing Sheets



(56)

References Cited

U.S. PATENT DOCUMENTS

D616,088 S 5/2010 Brigatti et al.
D616,540 S 5/2010 Brigatti et al.
D617,448 S * 6/2010 Singh D24/112
D642,680 S * 8/2011 Brucker D24/133
8,096,972 B2 1/2012 Varner et al.
D670,381 S * 11/2012 Dapri D24/133
D674,082 S * 1/2013 Efinger D24/108
8,430,804 B2 4/2013 Brigatti et al.
D685,466 S * 7/2013 Moshinsky D24/130
D703,813 S * 4/2014 Bolia D24/133
D703,814 S * 4/2014 Bolia D24/133

D703,815 S * 4/2014 Bolia D24/133
D704,335 S * 5/2014 Bolia D24/133
D708,741 S * 7/2014 Harrison D24/133
2003/0212305 A1 11/2003 Anderson et al.
2006/0223026 A1 10/2006 Kuroiwa et al.
2008/0306468 A1* 12/2008 Tamai A61M 25/09
604/528

OTHER PUBLICATIONS

Kumar et al. "Complications of Ophthalmic Regional Blocks: Their Treatment and Prevention," Ophthalmologica 2006; 220:73-82.

* cited by examiner

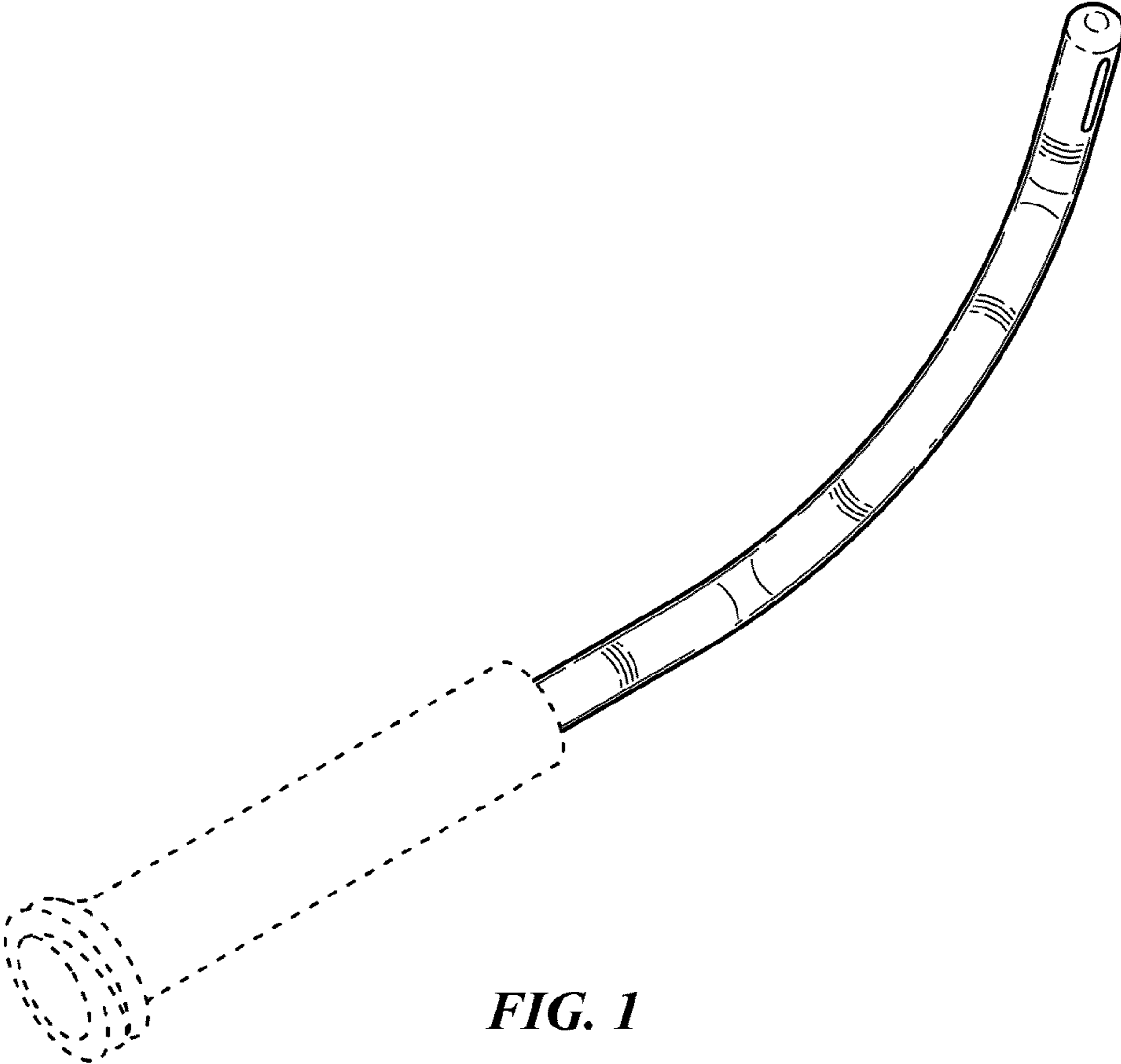


FIG. 1

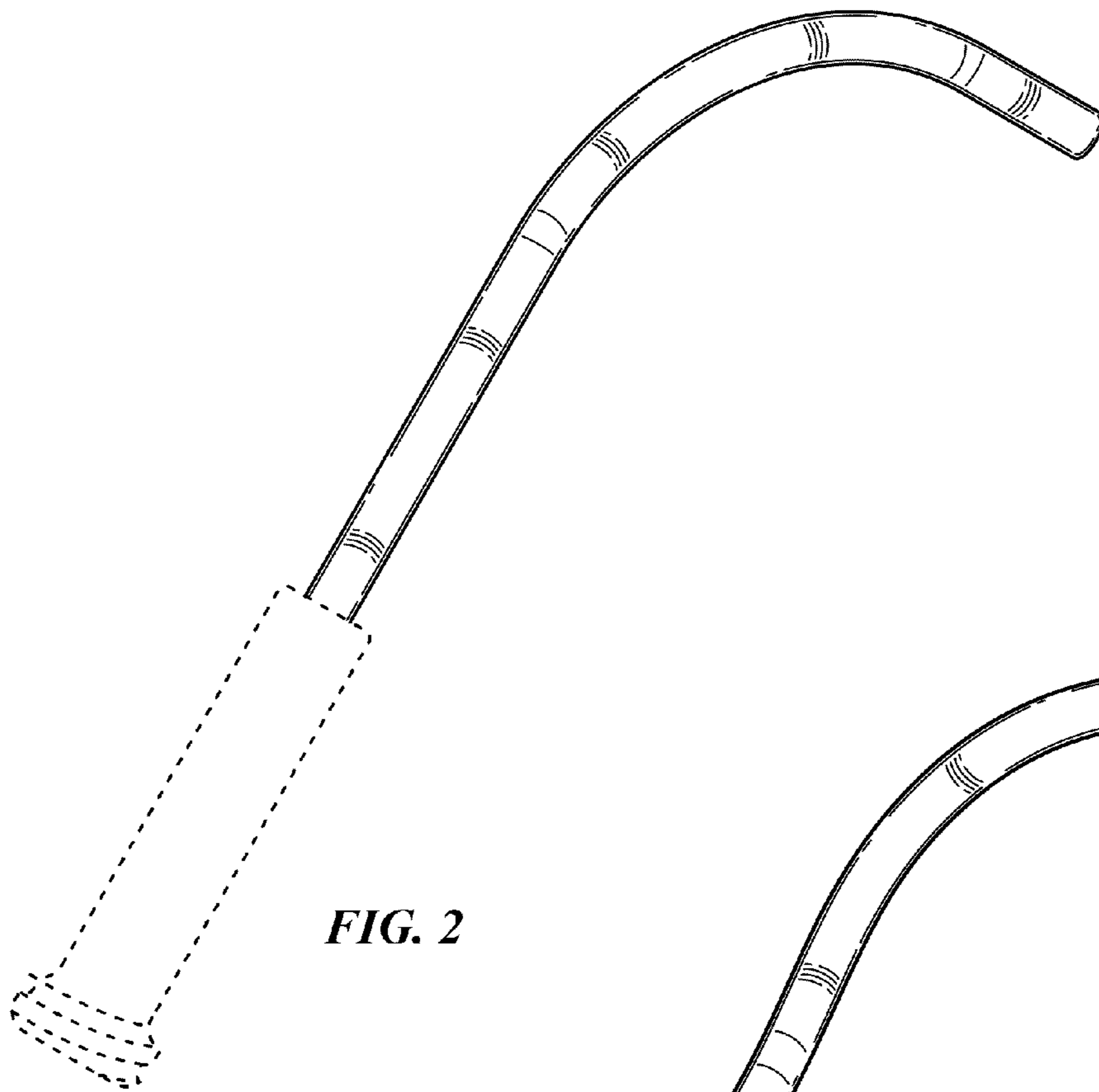


FIG. 2

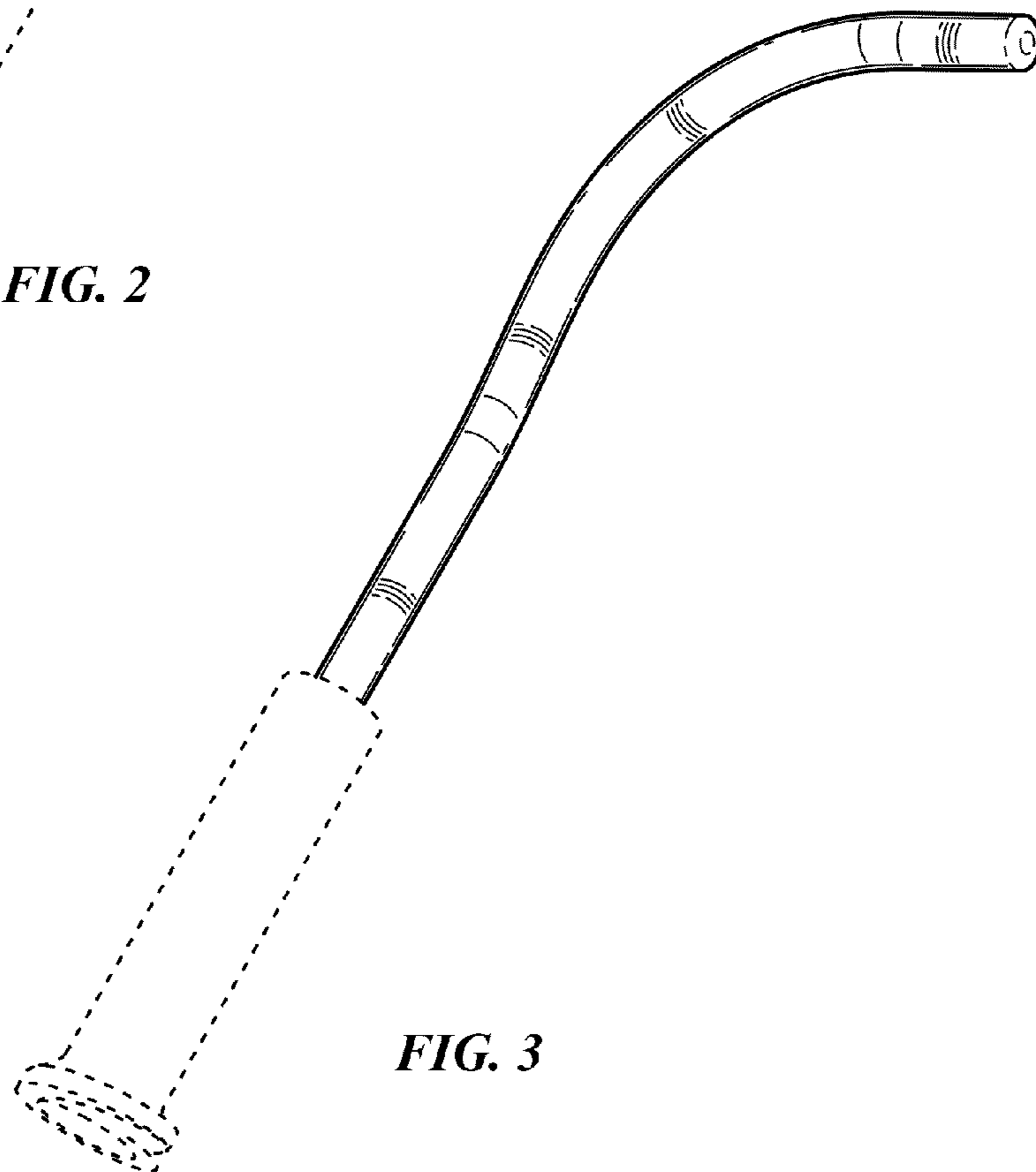


FIG. 3

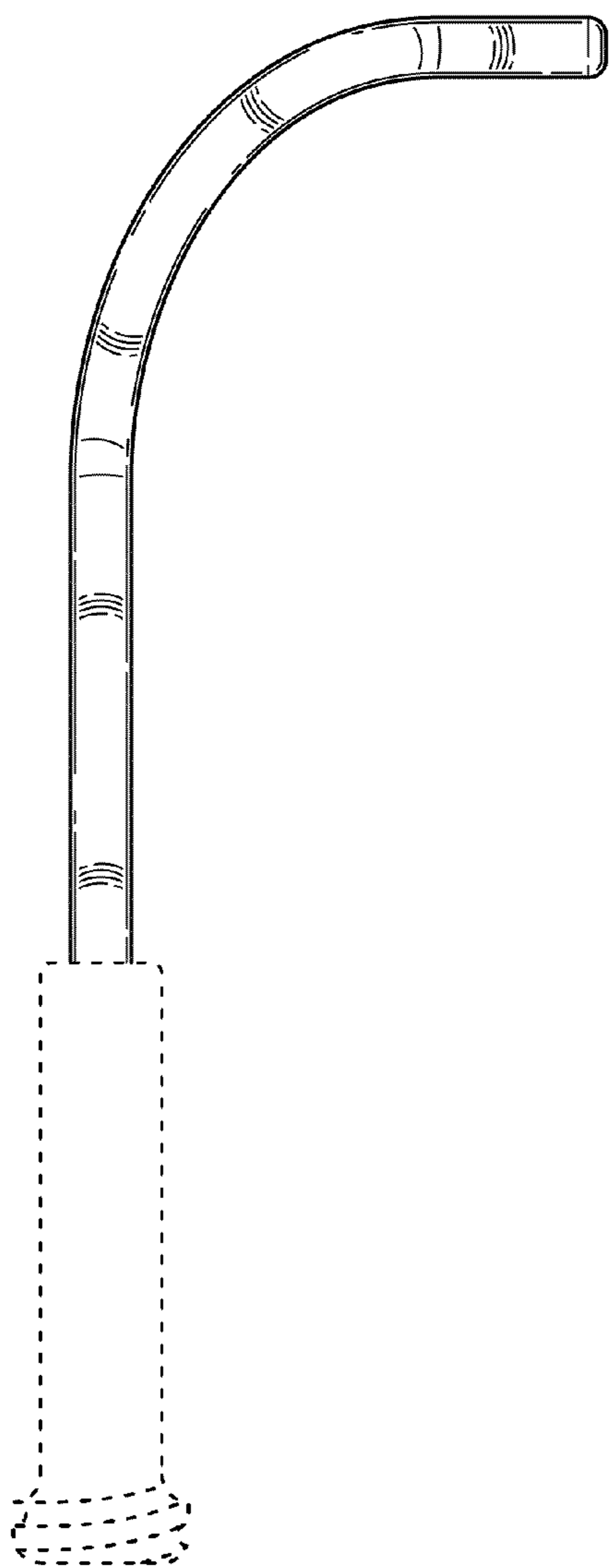


FIG. 4

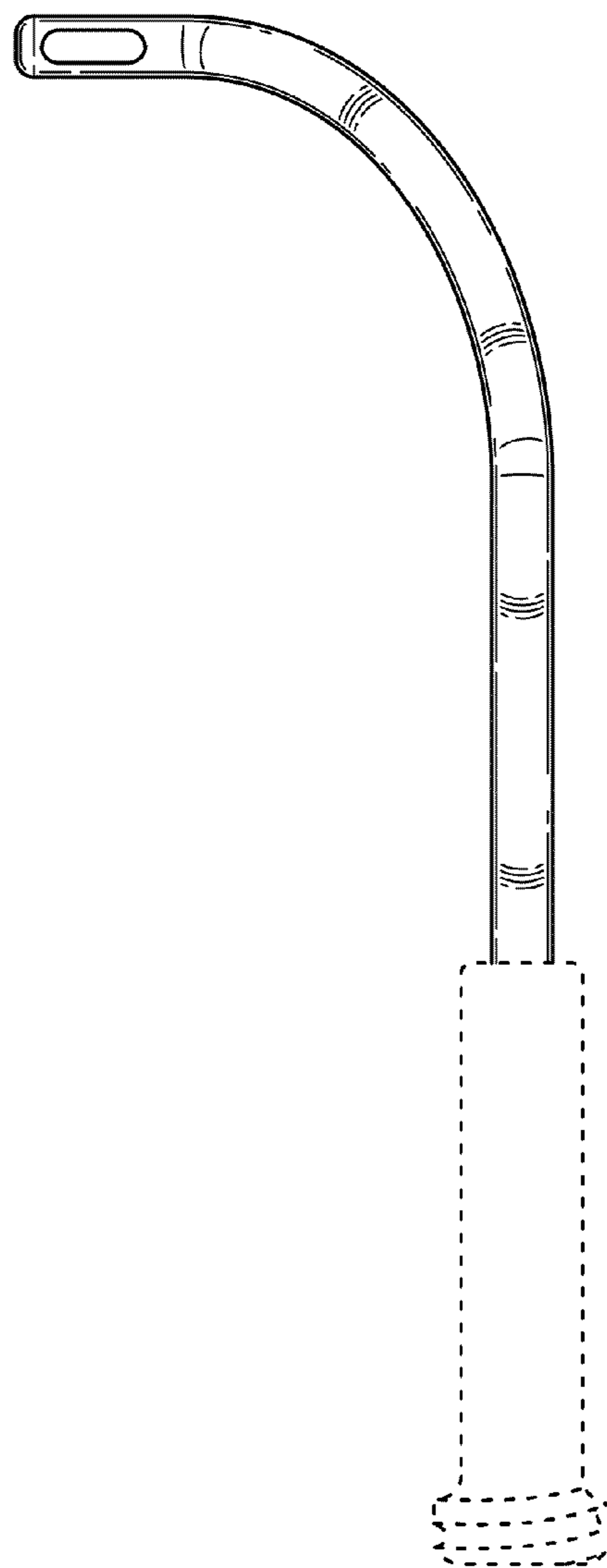


FIG. 5

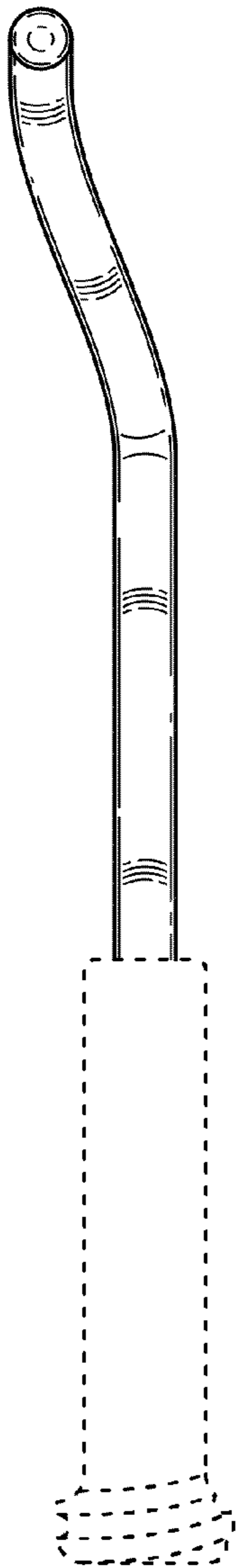


FIG. 6

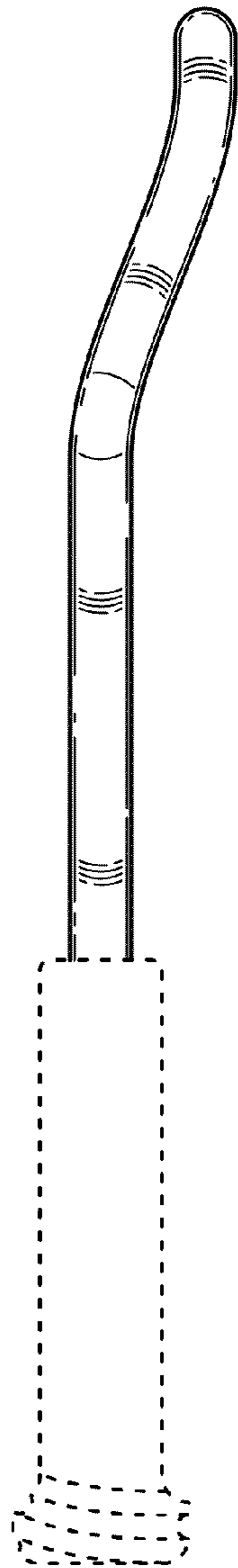


FIG. 7

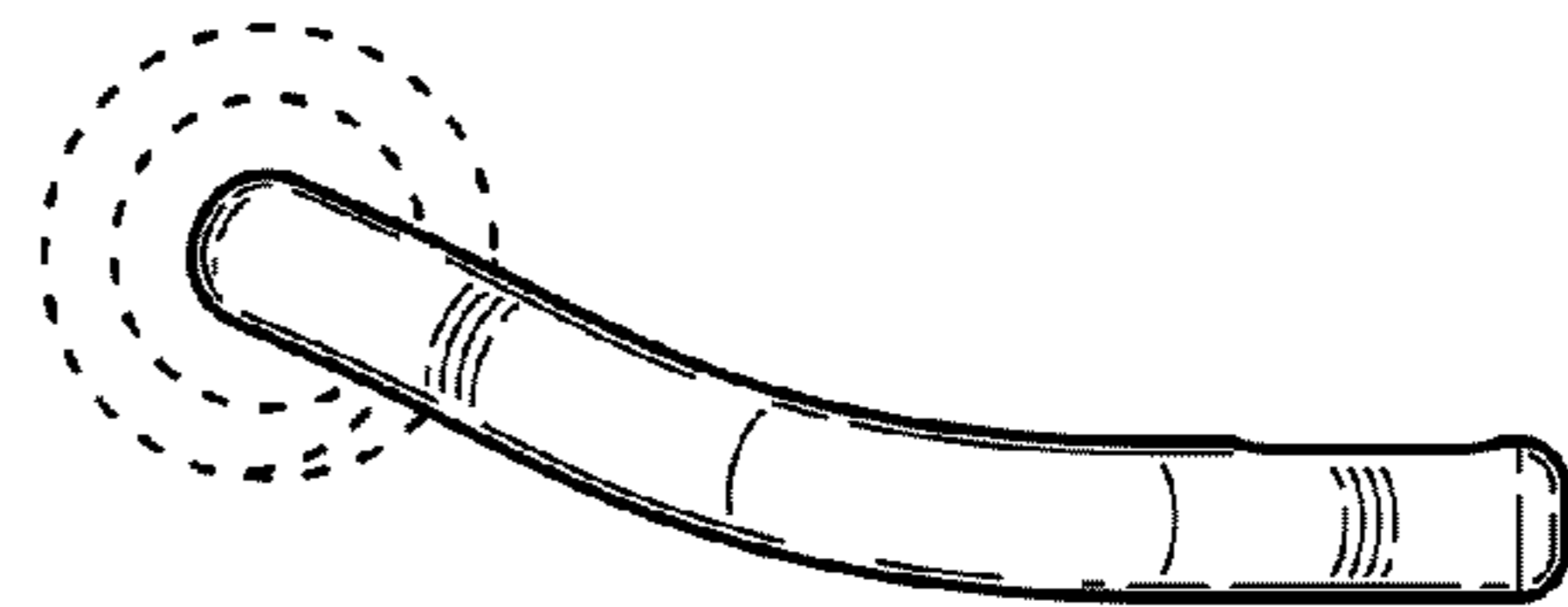


FIG. 8

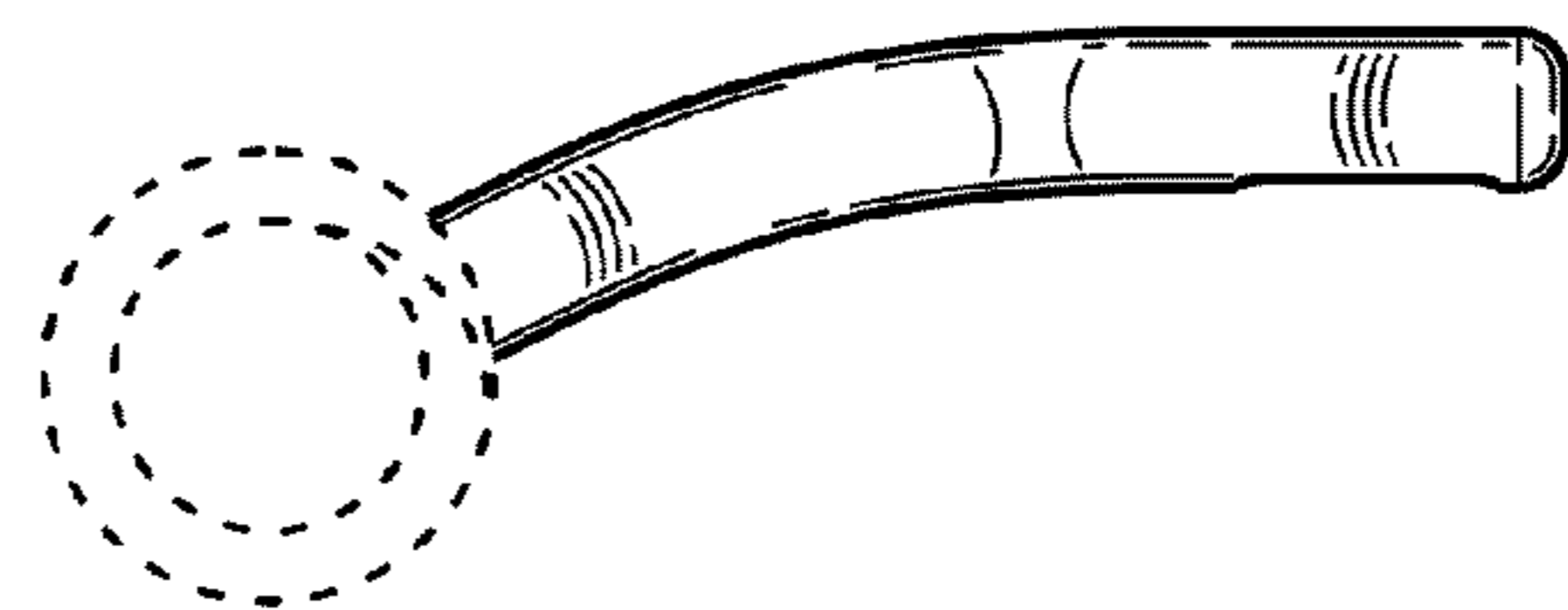


FIG. 9

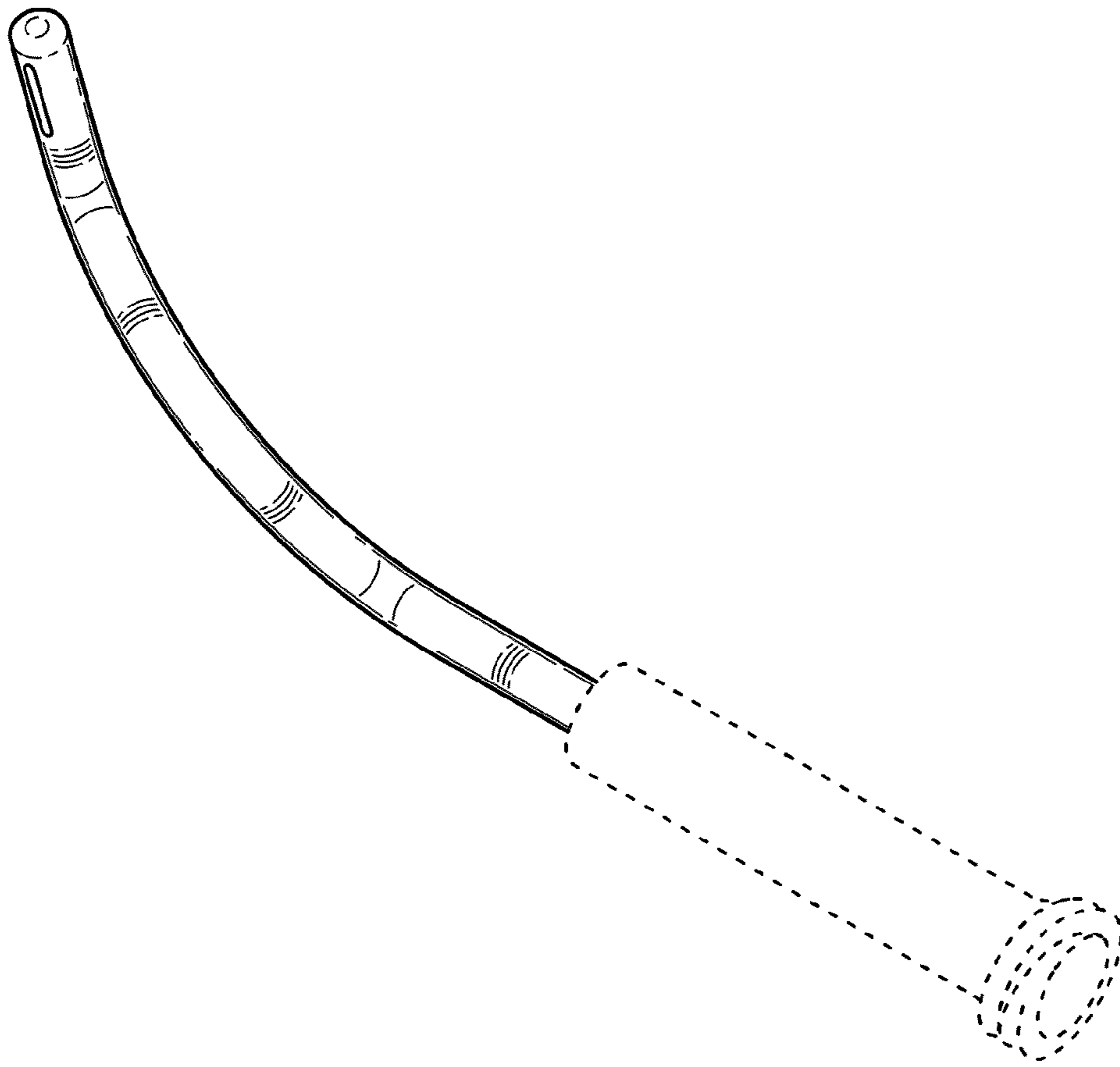
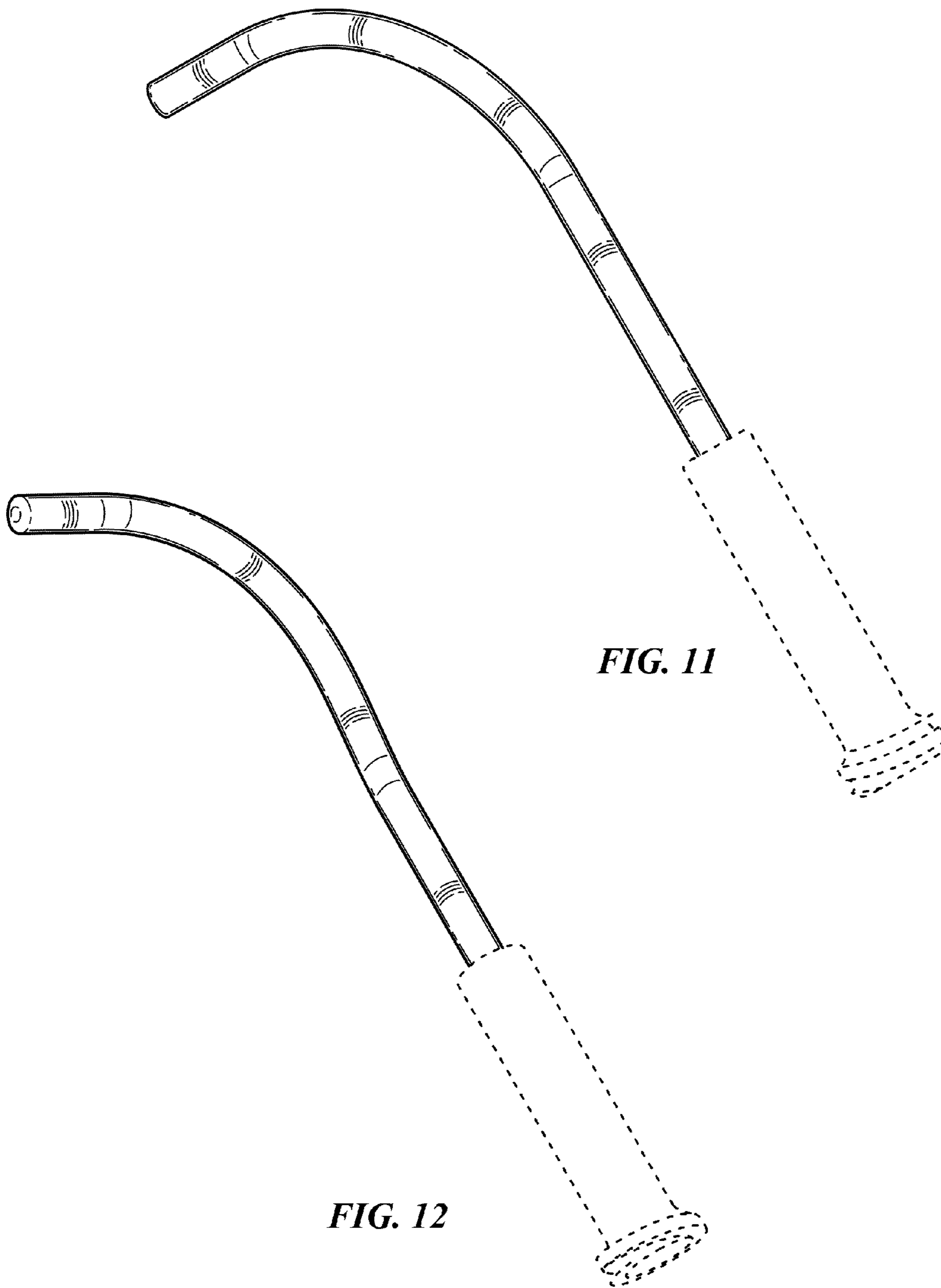


FIG. 10



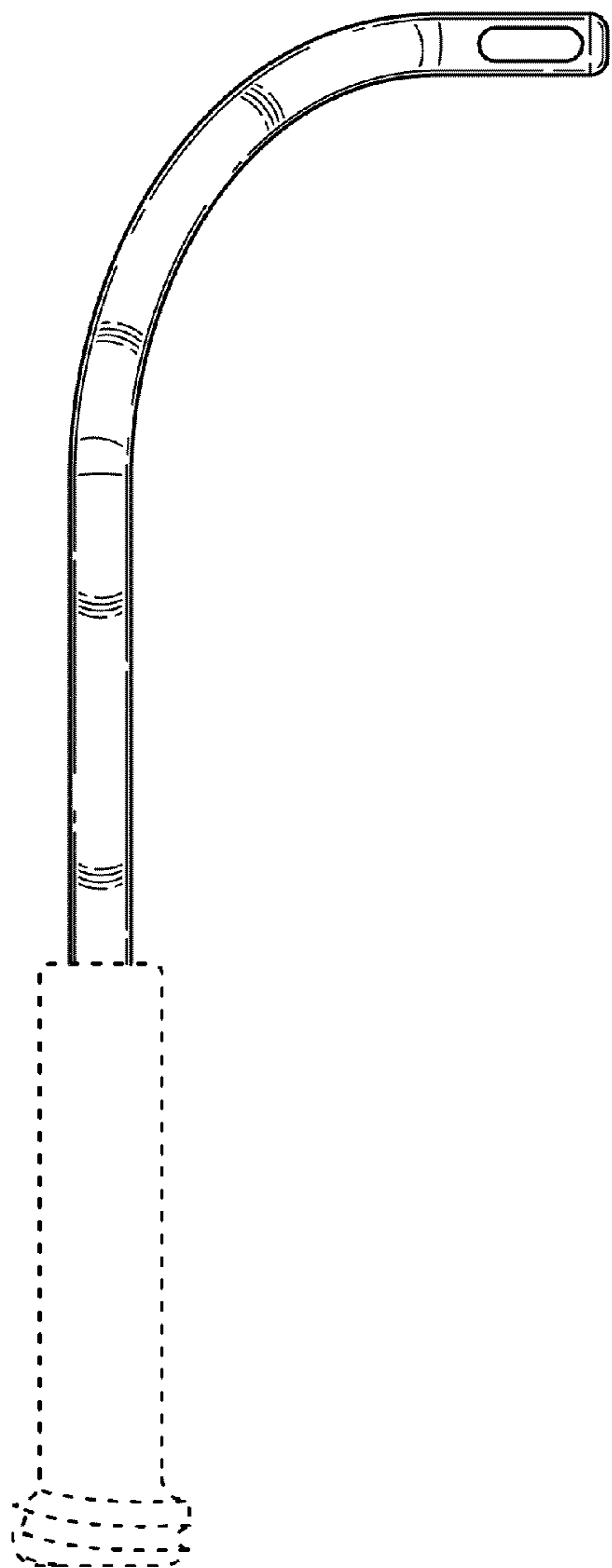


FIG. 14

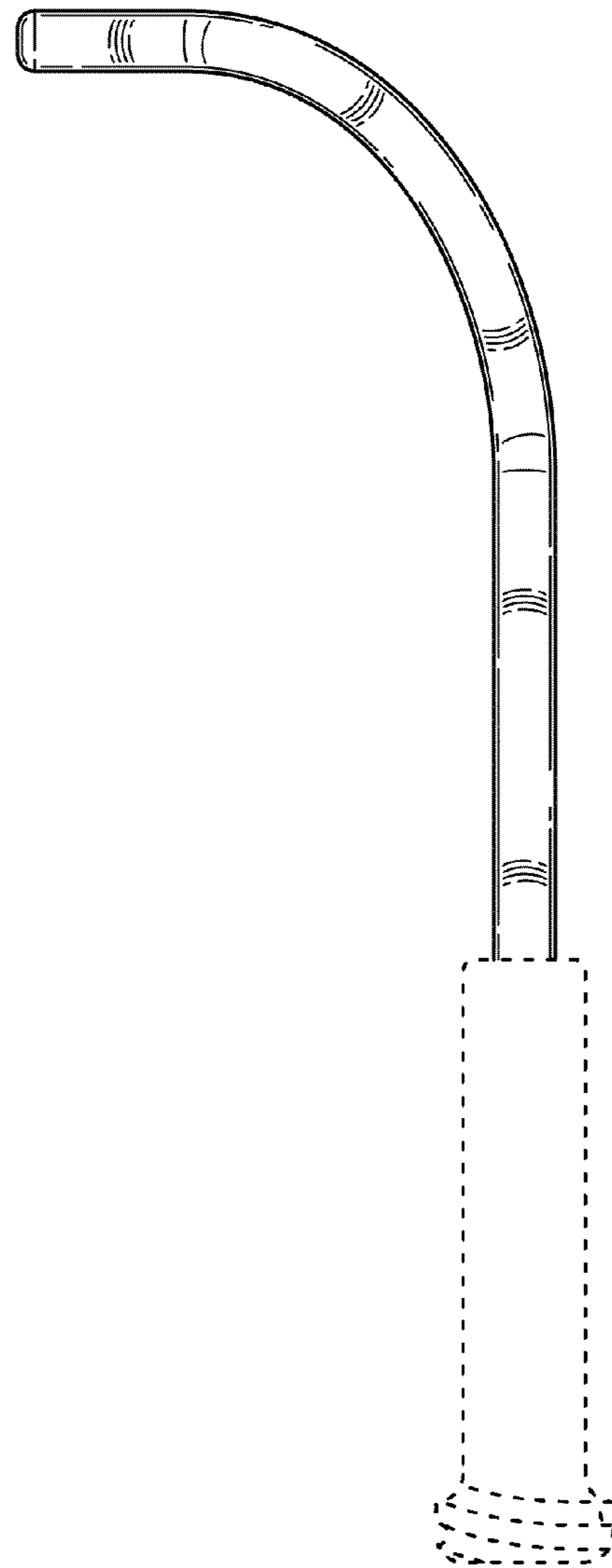


FIG. 13

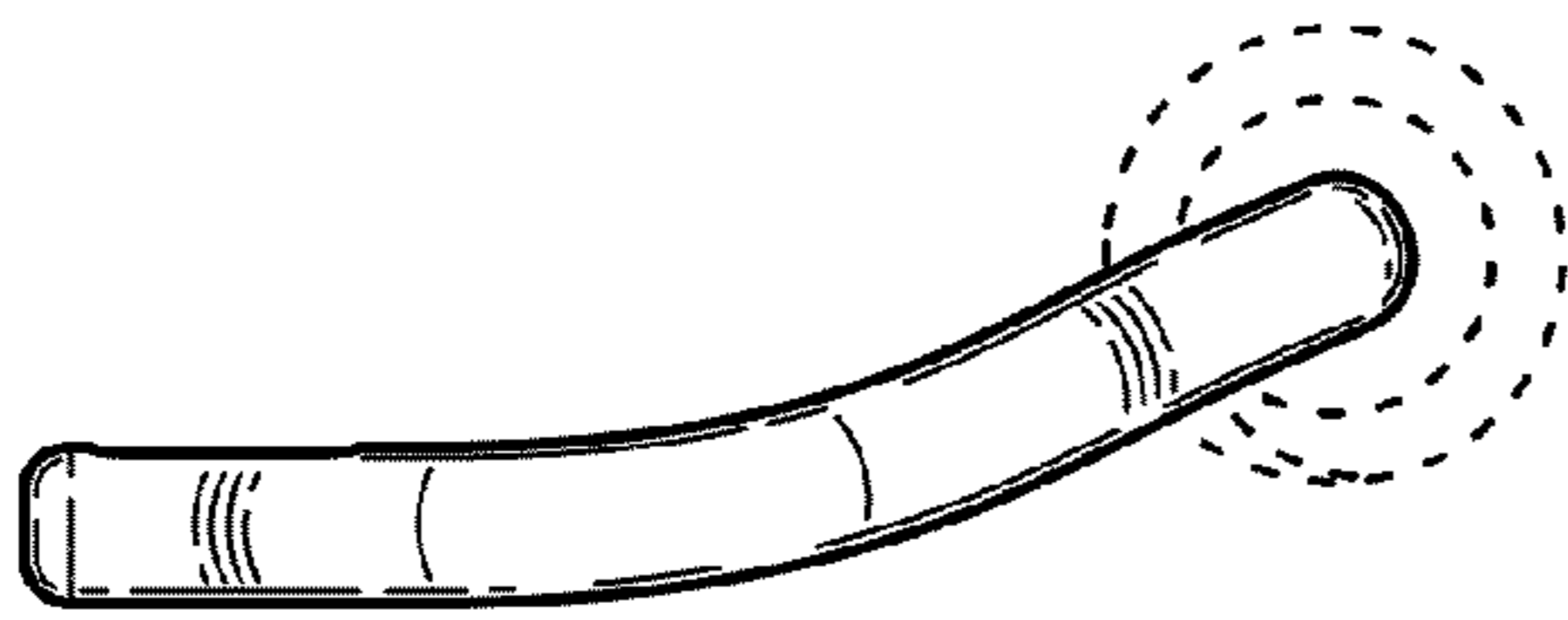


FIG. 17

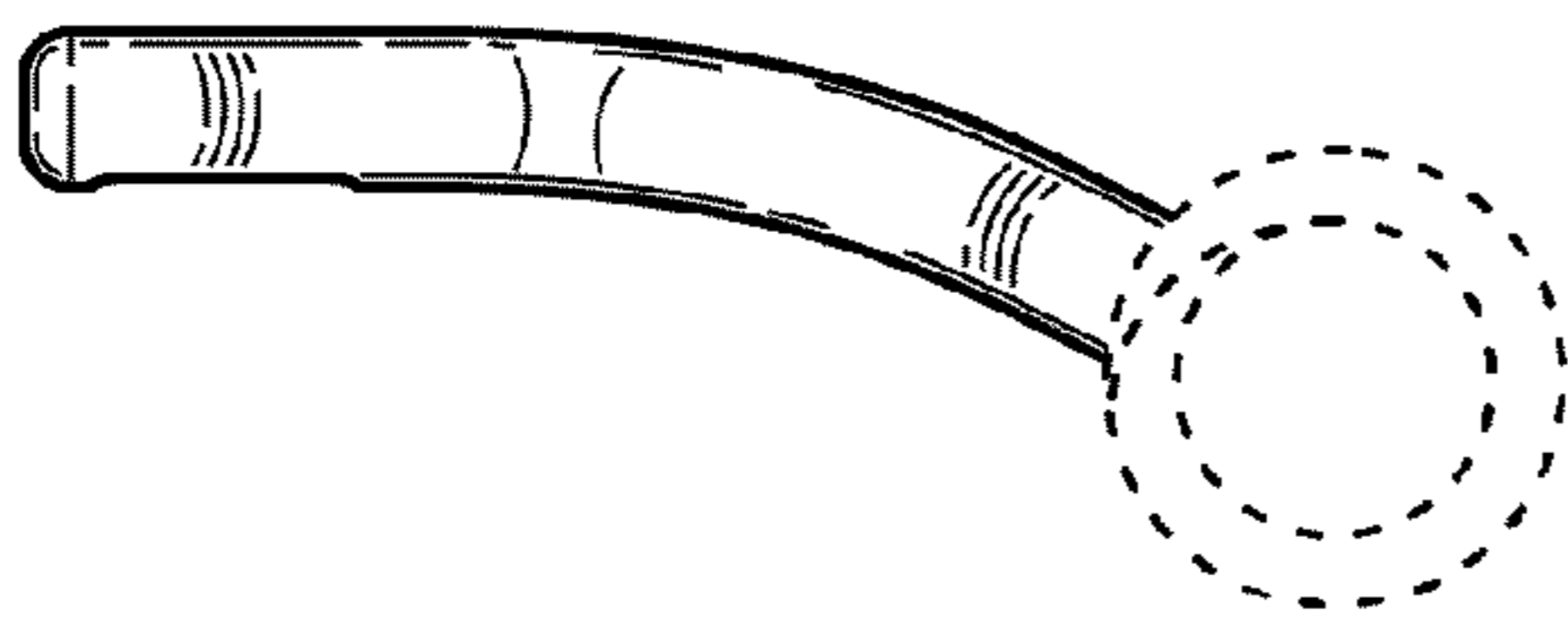


FIG. 18

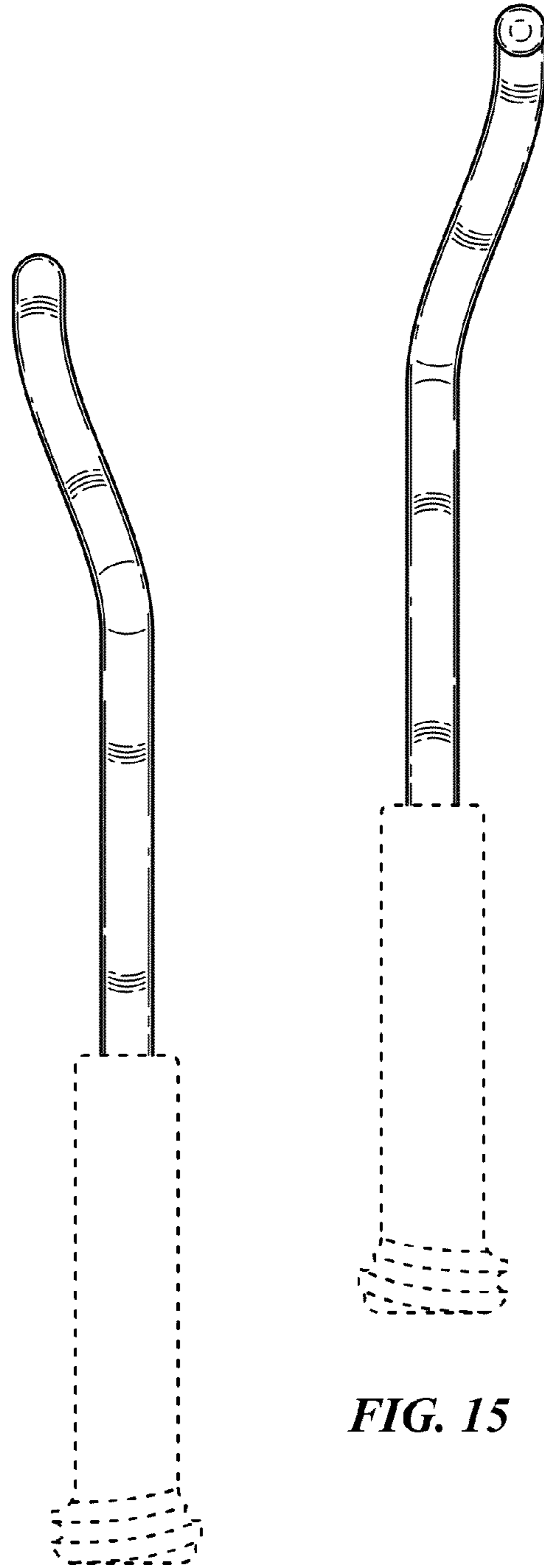


FIG. 15

FIG. 16