



US00D760378S

(12) **United States Design Patent**
Walker et al.

(10) **Patent No.:** **US D760,378 S**
(45) **Date of Patent:** **** Jun. 28, 2016**

(54) **RESPIRATOR MASK FACE SEAL**
(71) Applicant: **3M INNOVATIVE PROPERTIES COMPANY**, St. Paul, MN (US)

4,454,881 A 6/1984 Huber
4,739,755 A * 4/1988 White A62B 18/02
128/206.12
4,827,924 A * 5/1989 Japuntich A62B 23/02
128/206.12

(Continued)

(72) Inventors: **Garry J. Walker**, Stockton-on-Tees (GB); **Peter Masters**, Blyth (GB)

FOREIGN PATENT DOCUMENTS

(73) Assignee: **3M Innovative Properties Company**, St. Paul, MN (US)

EP 1614361 1/2006
GB 2163056 2/1986

(Continued)

(**) Term: **14 Years**

OTHER PUBLICATIONS

(21) Appl. No.: **29/516,295**

“Moldex Series 3000 Reusable Mask FFP3”, [retrieved from the internet on Feb. 25, 2015] URL < <https://www.tradetoolstore.com/moldex-series-3000-reusable-mask-ffp3-d-ventex-valve-blister-pack-mol3405bp.html> >.

(Continued)

(22) Filed: **Jan. 30, 2015**

(51) **LOC (10) Cl.** **29-02**

(52) **U.S. Cl.**
USPC **D24/110.1**

Primary Examiner — Barbara Fox
Assistant Examiner — Lilyana Bekic
(74) *Attorney, Agent, or Firm* — Melanie G. Gover

(58) **Field of Classification Search**

USPC D24/110.1–110.4, 110.6, 127;
D29/105, 107, 108, 110
CPC A62B 18/00; A62B 18/02; A62B 18/025;
A62B 18/08; A62B 18/10; A62B 23/00;
A62B 23/02; A62B 23/025; A62B 23/06;
A41D 13/11; A61M 16/0622; A61M 16/0616;
A61M 16/0816; A61M 16/08; A61M 16/0633;
A61M 16/0666; A61M 2210/0618; A61M
16/0683

(57) **CLAIM**
The ornamental design for a respirator mask face seal, as shown and described.

See application file for complete search history.

DESCRIPTION

The subject matter disclosed herein is related to subject matter disclosed in PCT Patent Application No. PCT/US14/50847, which is incorporated herein by reference in its entirety.

FIG. 1 is a left front perspective view of a respirator mask face seal showing the design, the face seal shown attached to a respirator mask;

FIG. 2 is a front plan view thereof;

FIG. 3 is a front view of the respirator mask;

FIG. 4 is a top plan view of FIG. 1;

FIG. 5 is a bottom plan view thereof; and,

FIG. 6 is a left side view thereof, the right side being a mirror image of this view.

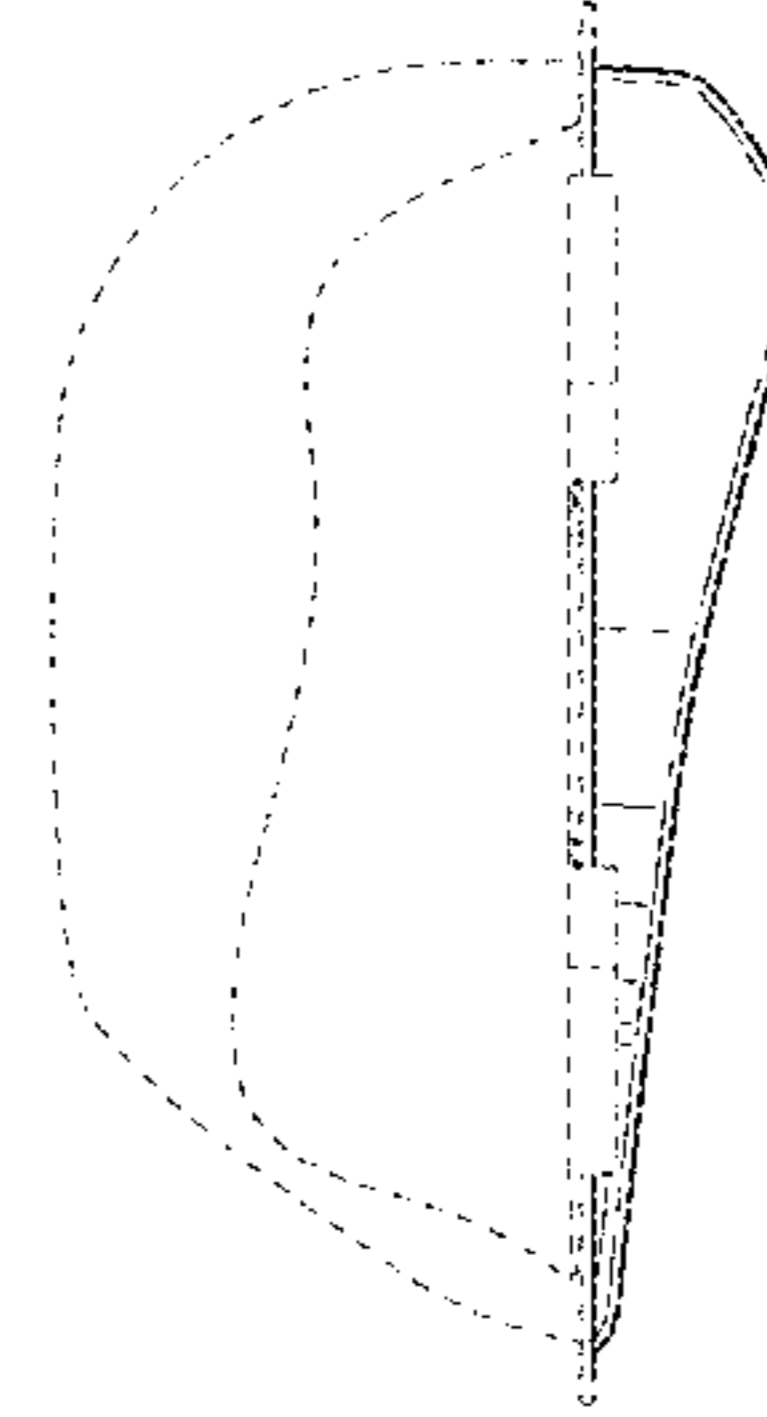
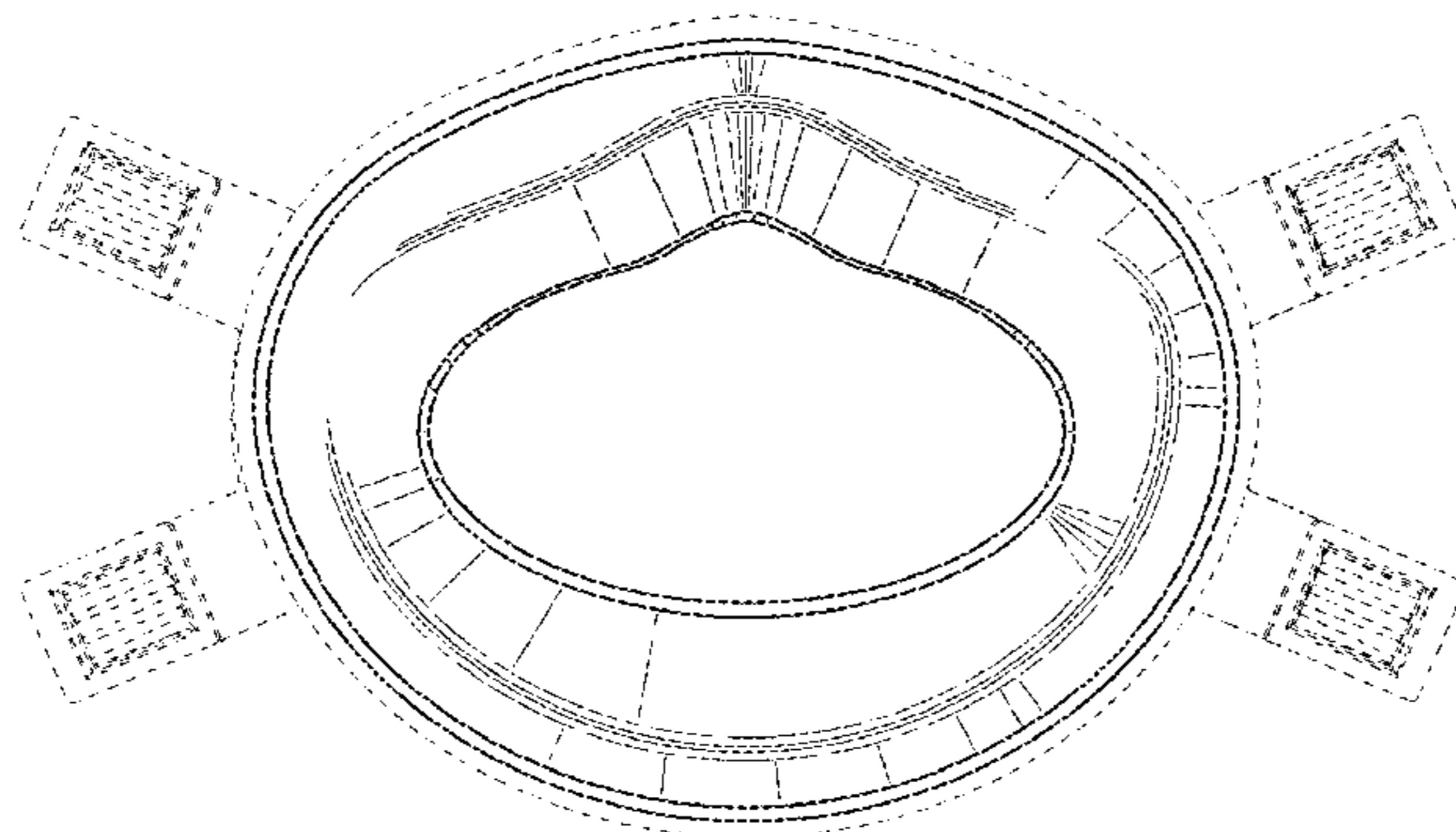
The broken line showing of the respirator mask illustrates the environment of the respirator mask face seal and forms no part of the claimed design.

(56) **References Cited**

U.S. PATENT DOCUMENTS

2,931,356 A * 4/1960 Schwarz A61M 16/06
128/206.24
3,097,642 A * 7/1963 Russell A61M 16/06
128/205.17
4,155,358 A * 5/1979 McAllister A62B 18/088
128/202.22
D271,432 S * 11/1983 Liao D24/110.1

1 Claim, 3 Drawing Sheets



(56)

References Cited

U.S. PATENT DOCUMENTS

4,850,347 A 7/1989 Skov
 D303,585 S * 9/1989 White D24/110.4
 4,873,972 A 10/1989 Magidson
 5,617,849 A * 4/1997 Springett A62B 27/00
 128/201.23
 D478,660 S * 8/2003 Mault D24/110.1
 D679,376 S * 4/2013 von Hollen D24/110.1
 2006/0090754 A1 * 5/2006 Mittelstadt A62B 9/04
 128/201.17
 2006/0266364 A1 11/2006 Turdjian
 2009/0320848 A1 * 12/2009 Steindorf A62B 23/025
 128/206.21
 2010/0199995 A1 8/2010 Howie
 2012/0125341 A1 * 5/2012 Gebrewold A62B 18/025
 128/206.12

2014/0190492 A1* 7/2014 Noh A41D 13/1161
 128/863
 2014/0216479 A1* 8/2014 Jeong A41D 13/1138
 128/863

FOREIGN PATENT DOCUMENTS

JP HJ1907230400 8/2009
 RU 86788 10/2013
 WO WO 99/30583 6/1999
 WO WO 2006/113163 10/2006
 WO WO 2015/026587 2/2015
 WO WO 2015/026588 2/2015
 WO WO 2015/026593 2/2015
 WO WO 2015/026595 2/2015

OTHER PUBLICATIONS

Disposable dust respirator Lambda line series DD11, 12 series, p. 5.

* cited by examiner

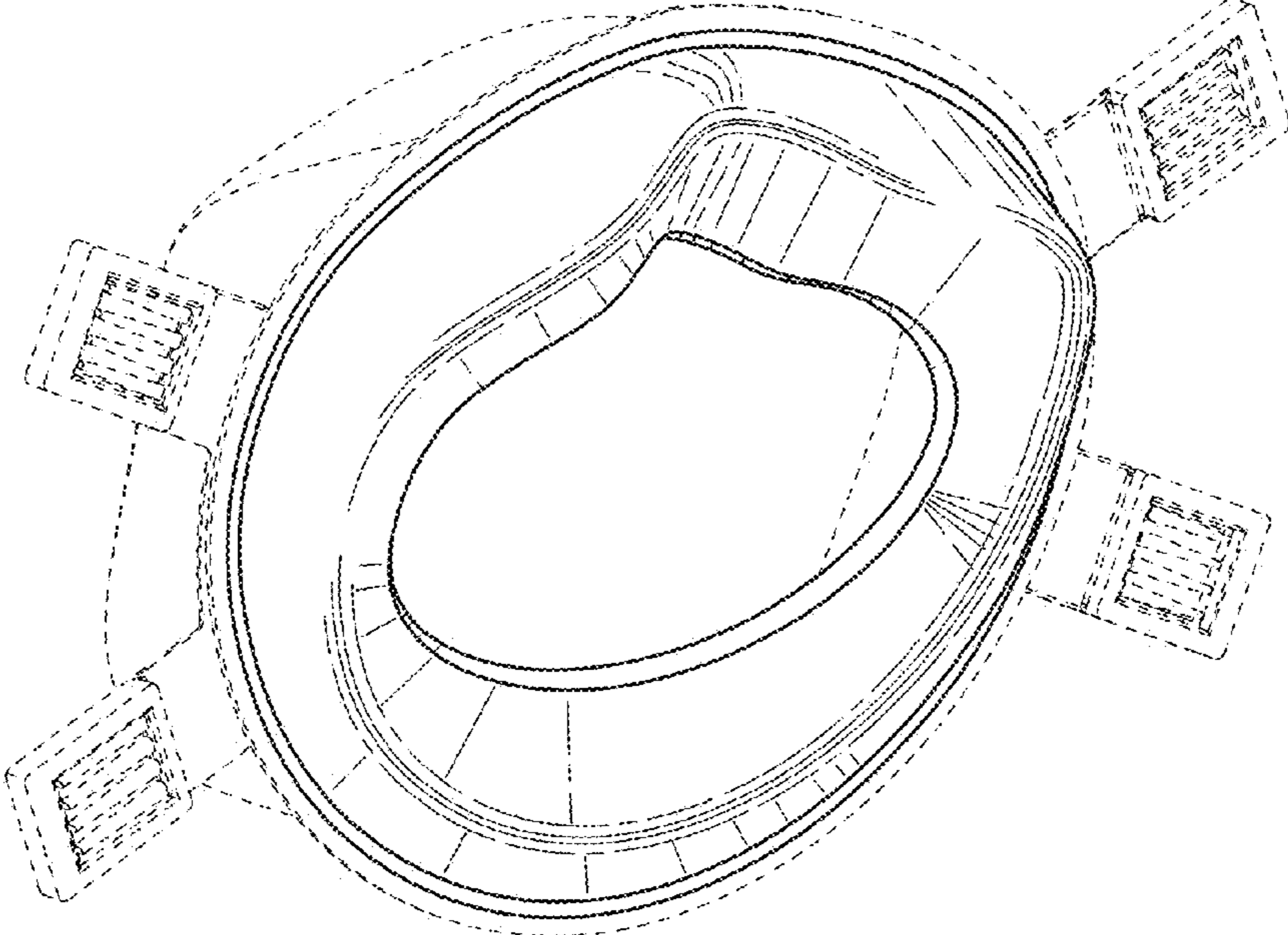


Fig. 1

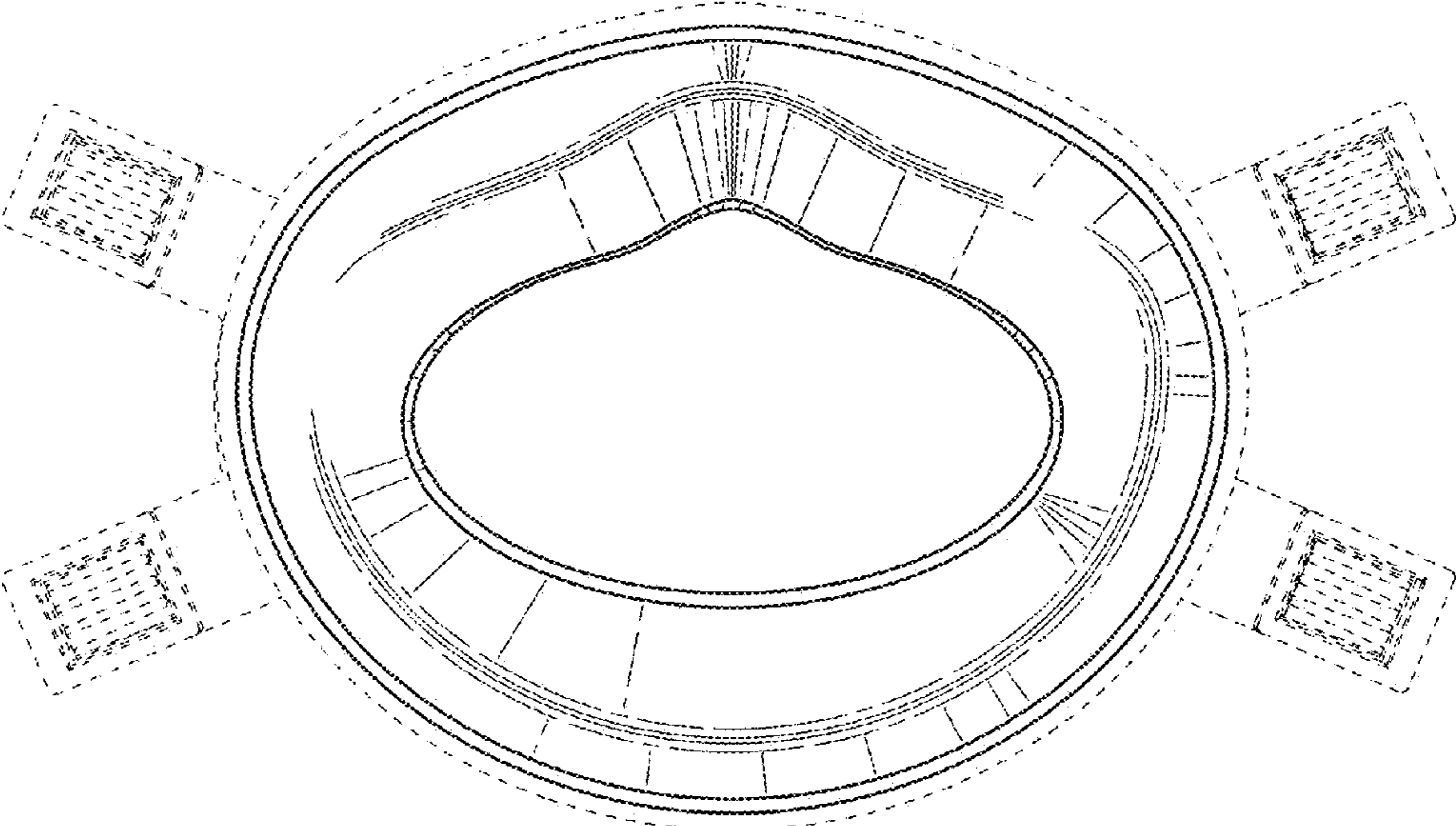


Fig. 2

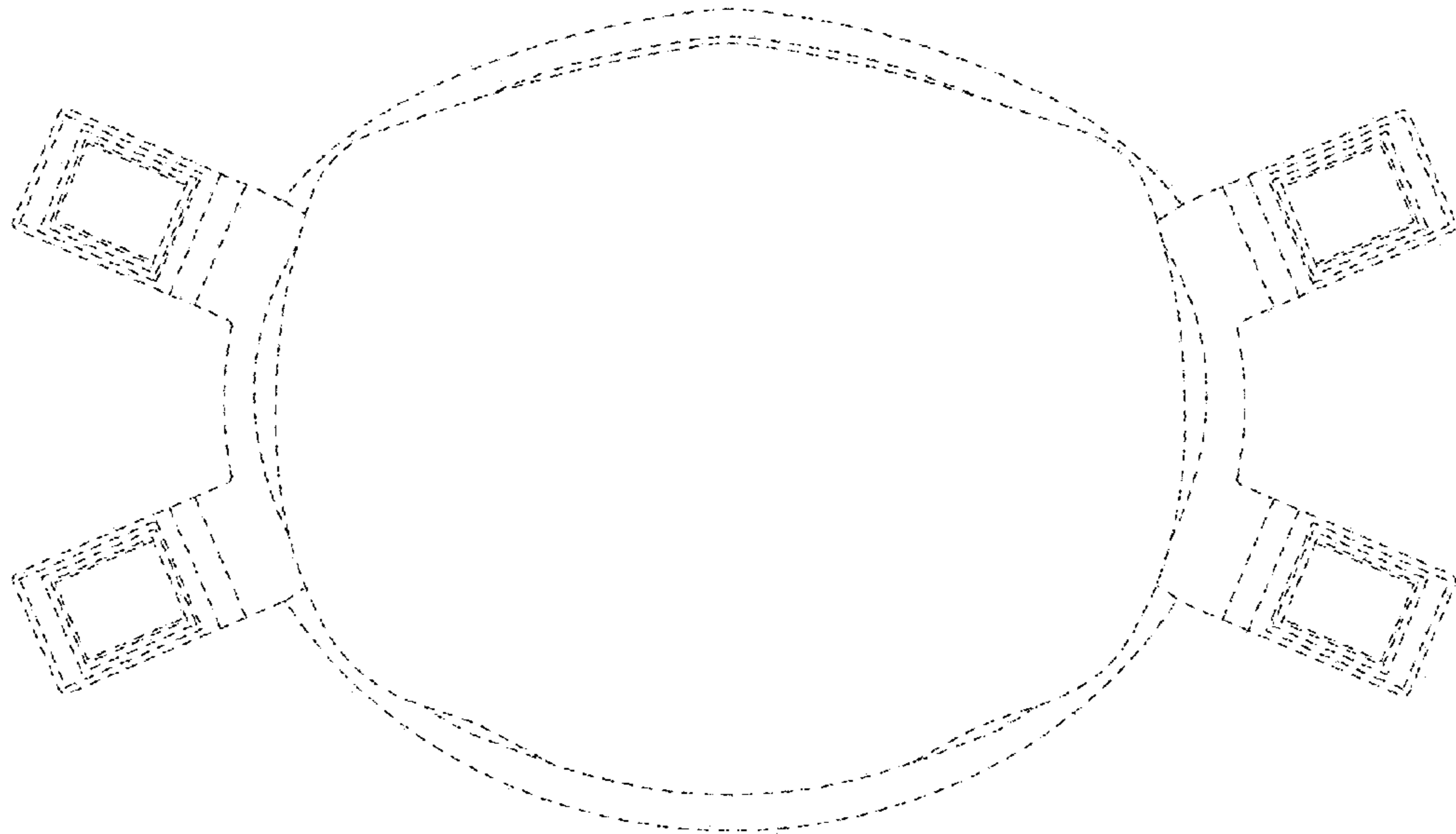


Fig. 3

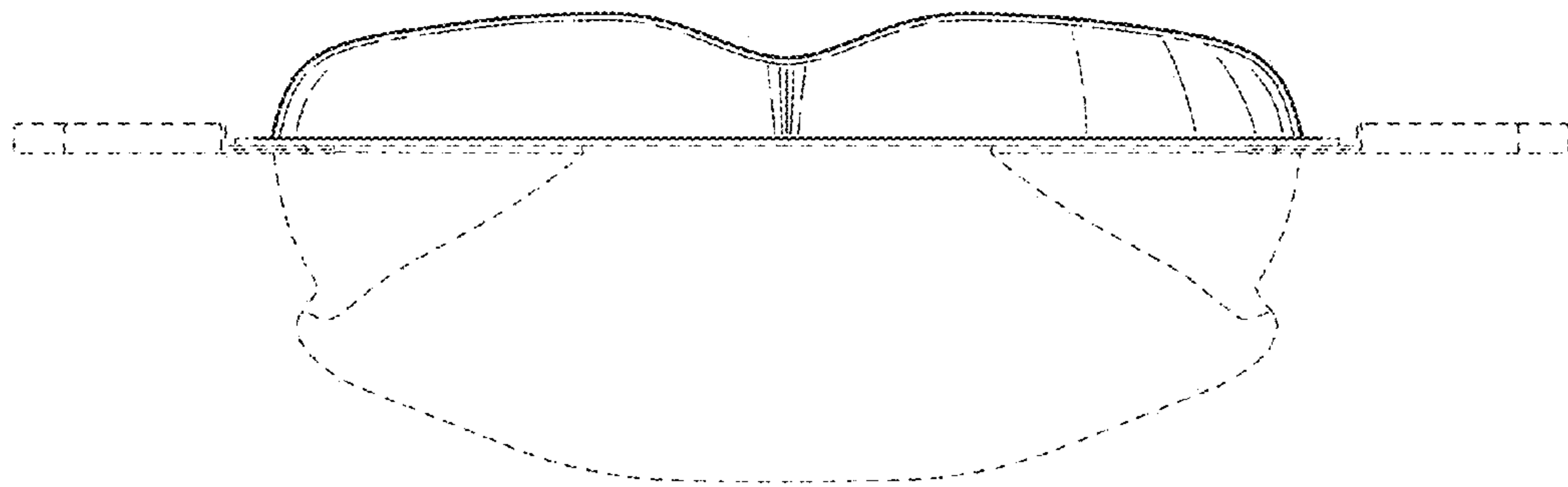


Fig. 4

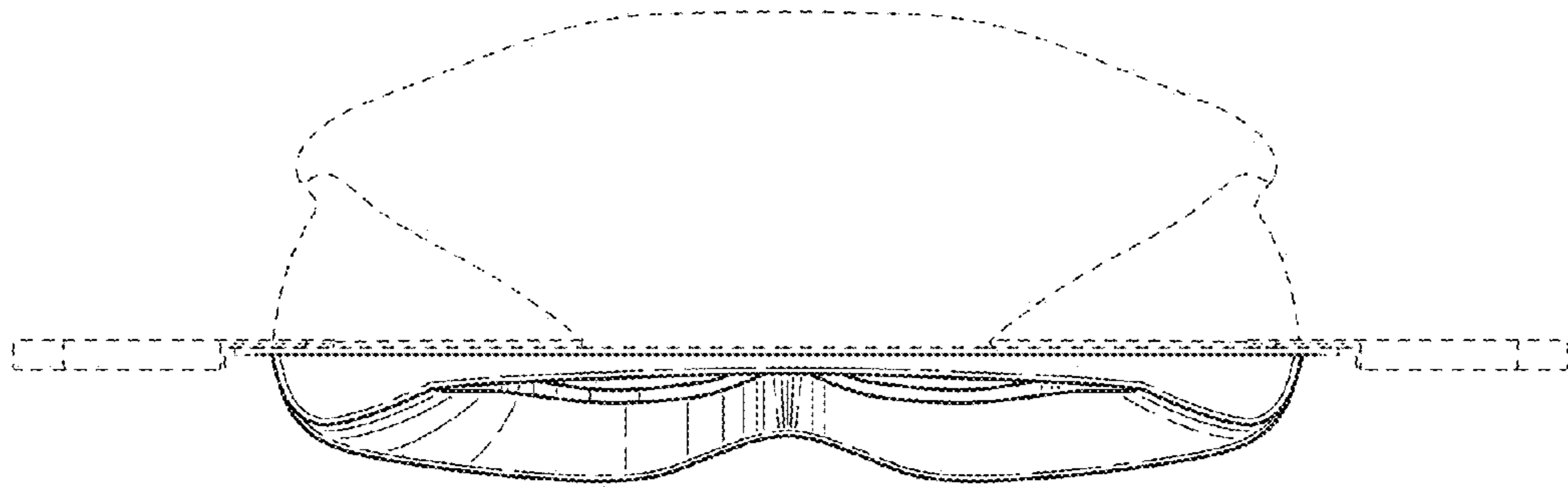


Fig. 5

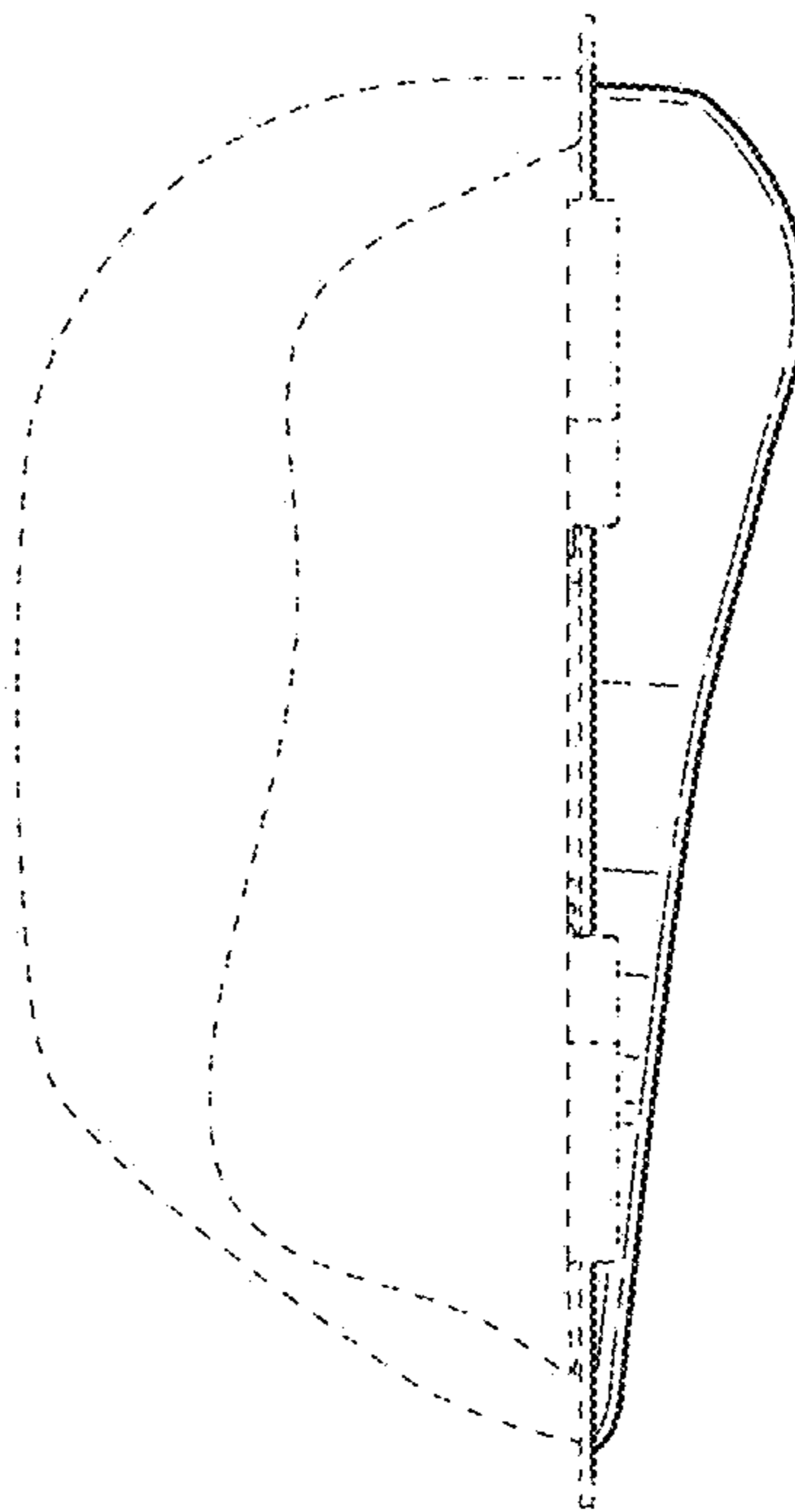


Fig. 6