



US00D760377S

(12) **United States Design Patent**
Walker et al.

(10) **Patent No.:** **US D760,377 S**
(45) **Date of Patent:** **** Jun. 28, 2016**

(54) **RESPIRATOR MASK FACE SEAL**

FOREIGN PATENT DOCUMENTS

(71) Applicant: **3M INNOVATIVE PROPERTIES COMPANY**, St. Paul, MN (US)

EP 1614361 1/2006
GB 2163056 2/1986

(Continued)

(72) Inventors: **Garry J. Walker**, Stockton-on-Tees (GB); **Peter Masters**, Blyth (GB)

OTHER PUBLICATIONS

(73) Assignee: **3M Innovative Properties Company**, St. Paul, MN (US)

“Moldex Series 3000 Reusable Mask FFP3”, [retrieved from the internet on Feb. 25, 2015] URL< <https://www.tradetoolstore.com/moldex-series-3000-reusable-mask-ffp3-d-ventex-valve-blister-pack-mol3405bp.html>>.

(Continued)

(**) Term: **14 Years**

(21) Appl. No.: **29/516,258**

(22) Filed: **Jan. 30, 2015**

Primary Examiner — Barbara Fox

Assistant Examiner — Lilyana Bekic

(51) **LOC (10) Cl.** **29-02**

(74) *Attorney, Agent, or Firm* — Melanie G. Gover

(52) **U.S. Cl.**

USPC **D24/110.1**

(58) **Field of Classification Search**

USPC D24/110.1–110.4, 110.6, 127;
D29/105, 107, 108, 110

CPC A62B 18/00; A62B 18/02; A62B 18/025;
A62B 18/08; A62B 18/10; A62B 23/00;
A62B 23/02; A62B 23/025; A62B 23/06;
A41D 13/11; A61M 16/0622; A61M 16/0616;
A61M 16/0816; A61M 16/08; A61M 16/0633;
A61M 16/0666; A61M 2210/0618; A61M
16/0683

See application file for complete search history.

(57) **CLAIM**

The ornamental design for a respirator mask face seal, as shown and described.

DESCRIPTION

FIG. 1 is a left front perspective view of a respirator mask face seal showing the new design, the face seal shown attached to a respirator mask;

FIG. 2 is a front plan view thereof;

FIG. 3 is a front view of the respirator mask;

FIG. 4 is a top plan view of FIG. 1;

FIG. 5 is a bottom plan view thereof; and,

FIG. 6 is a left side view thereof, the right side being a mirror image of this view.

The dash-dot-dash broken line separating the upper portion and the lower portion of the respirator mask face seal represents the bounds of the claimed design and forms no part thereof. The broken line showing of the respirator mask illustrates the environment and forms no part of the claimed design. All other broken lines in the drawings illustrate portions of the respirator mask face seal that form no part of the claimed design.

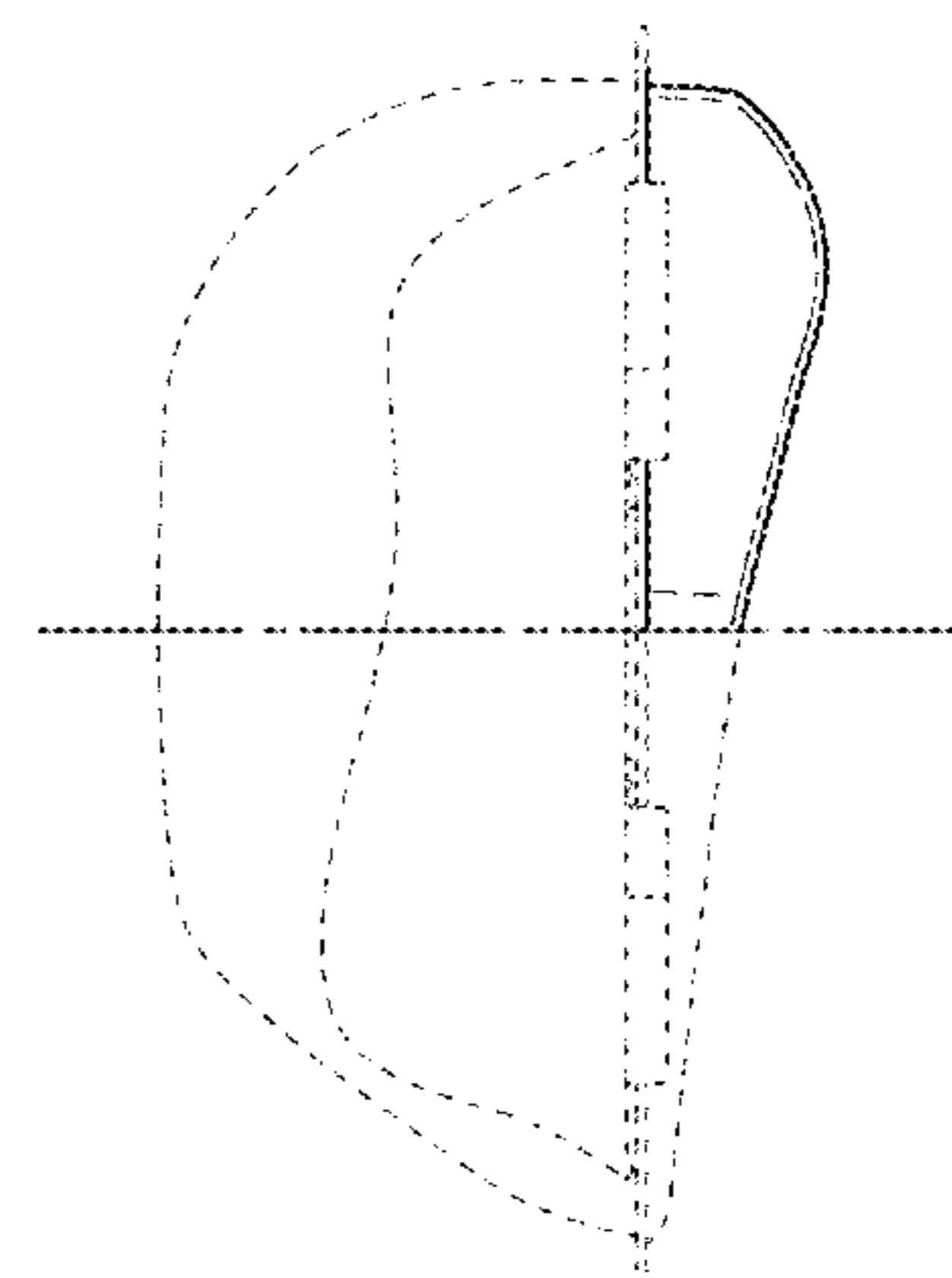
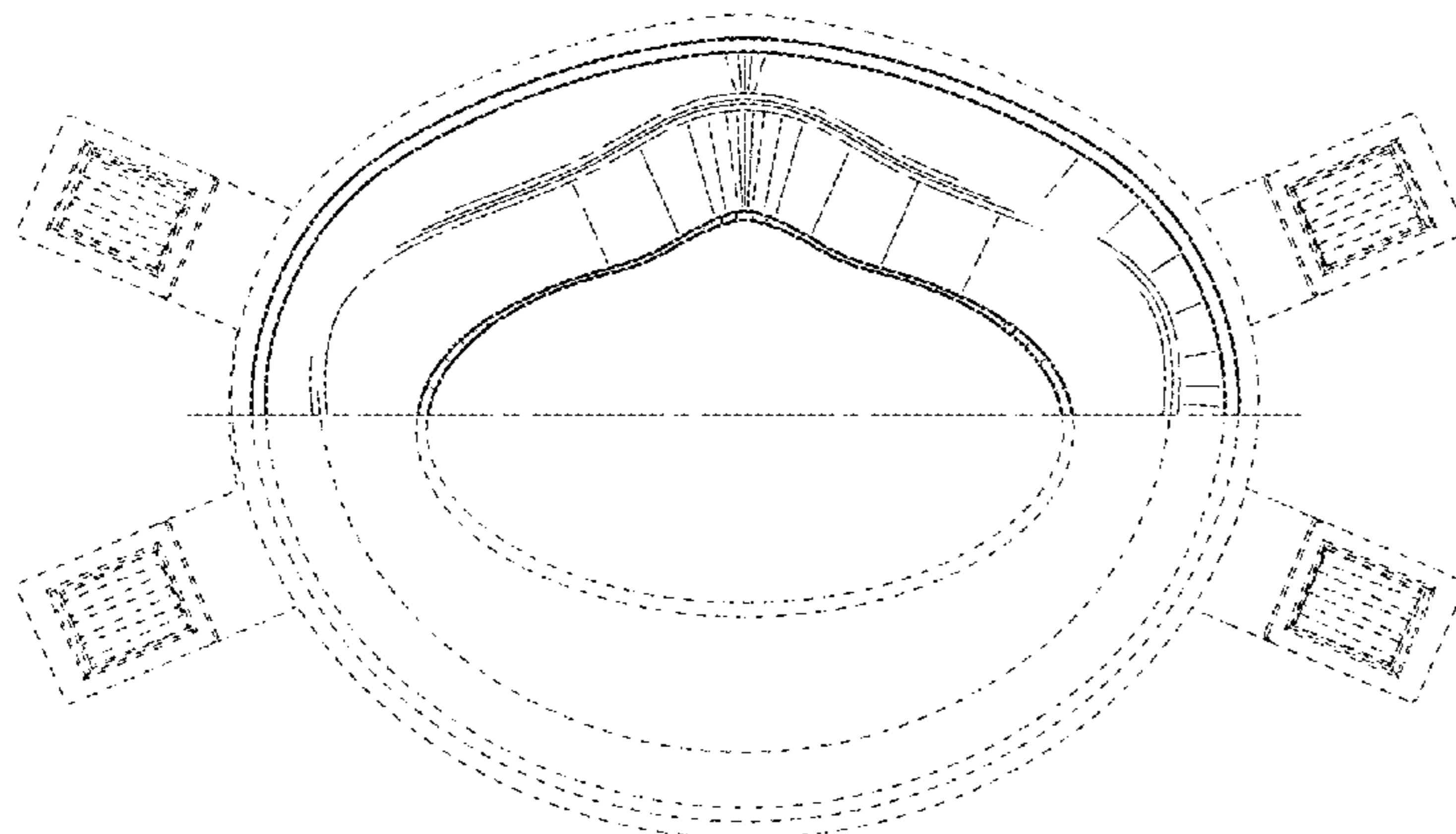
(56) **References Cited**

U.S. PATENT DOCUMENTS

D271,246 S * 11/1983 Matheson D24/110.1
4,454,881 A 6/1984 Huber
4,850,347 A 7/1989 Skov
4,873,972 A 10/1989 Magidson
D467,656 S * 12/2002 Mittelstadt D24/110.1
D499,803 S * 12/2004 Chang D24/110.1
D679,376 S * 4/2013 von Hollen D24/110.1
D679,377 S * 4/2013 von Hollen D24/110.1

(Continued)

1 Claim, 3 Drawing Sheets



(56)

References Cited

U.S. PATENT DOCUMENTS

D679,378 S * 4/2013 von Hollen D24/110.1
D692,123 S * 10/2013 D'Souza D24/110.1
2006/0266364 A1 11/2006 Turdjian
2010/0199995 A1 8/2010 Howie
2012/0125341 A1* 5/2012 Gebrewold A62B 18/025
128/206.12
2012/0125342 A1* 5/2012 Gebrewold A62B 18/025
128/206.12
2014/0158135 A1* 6/2014 Shyong A61M 16/06
128/206.21

FOREIGN PATENT DOCUMENTS

JP HJ 19072304 8/2009
RU 86788 10/2013

WO WO 99/30583 6/1999
WO WO 2006/113163 10/2006
WO WO 2015/026587 2/2015
WO WO 2015/026588 2/2015
WO WO 2015/026593 2/2015
WO WO 2015/026595 2/2015

OTHER PUBLICATIONS

Disposable Dust Respirator Lambda Line Series DD11, 12 Series, p.

5, Product Literature.

* cited by examiner

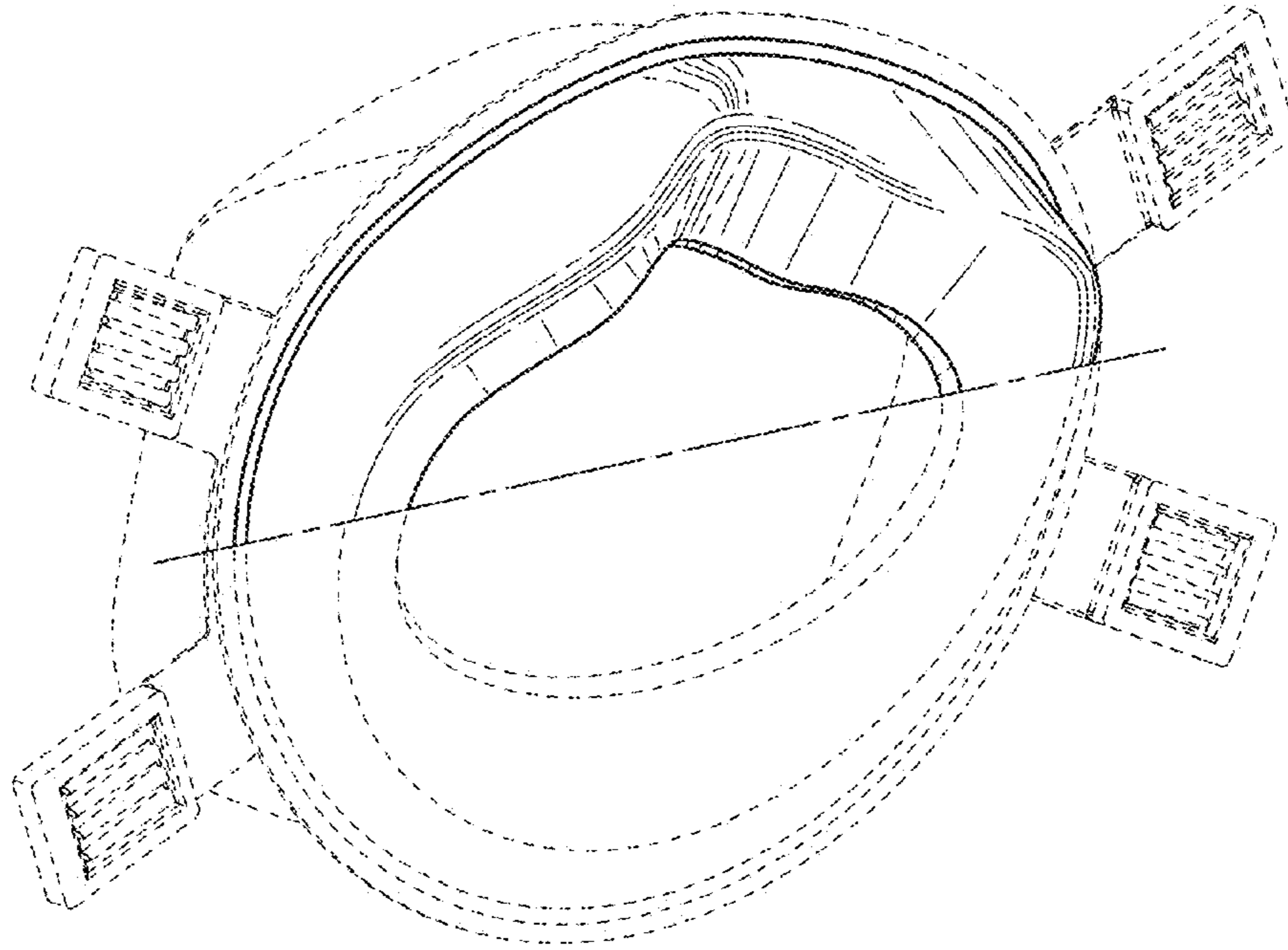


Fig. 1

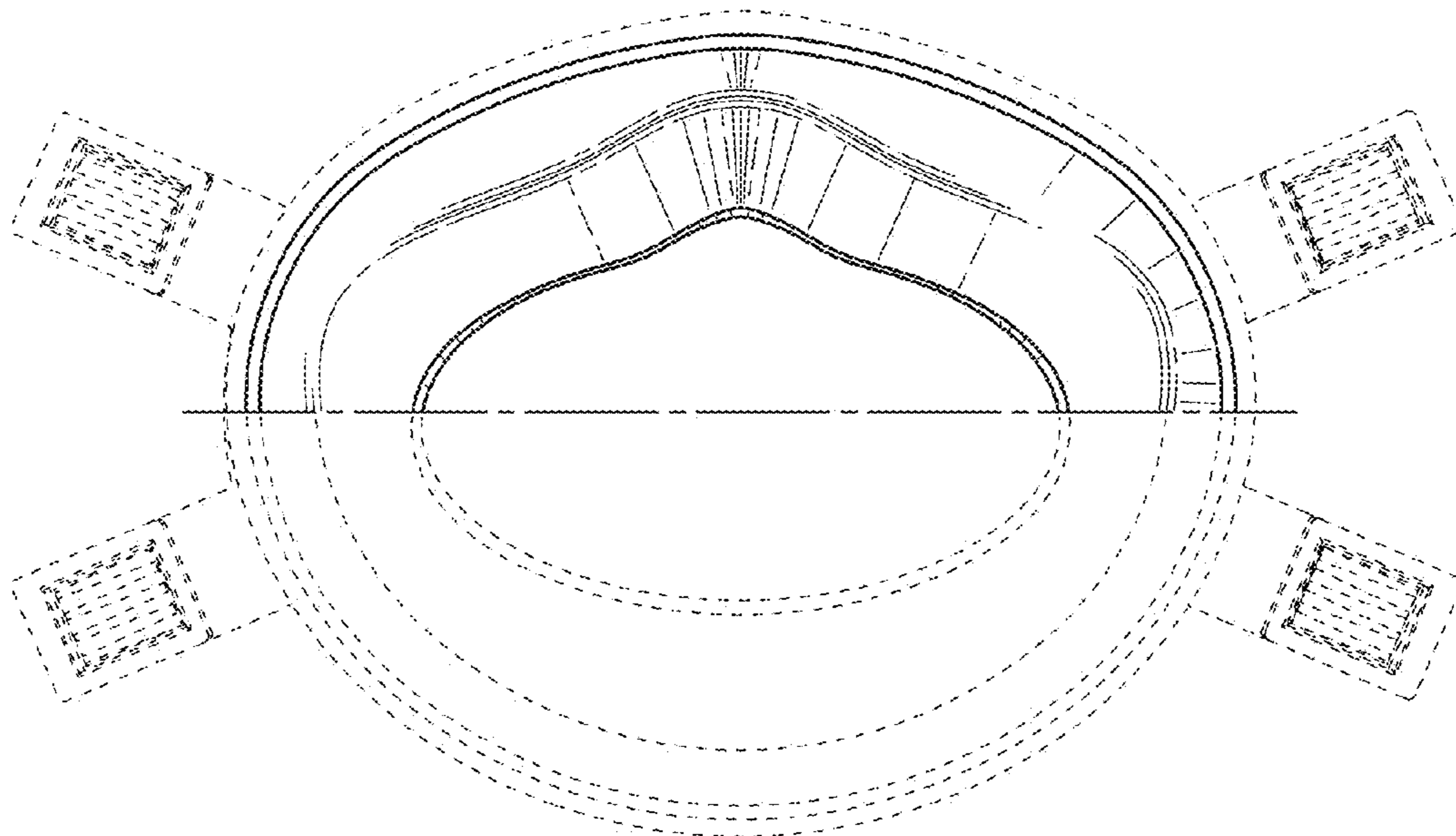


Fig. 2

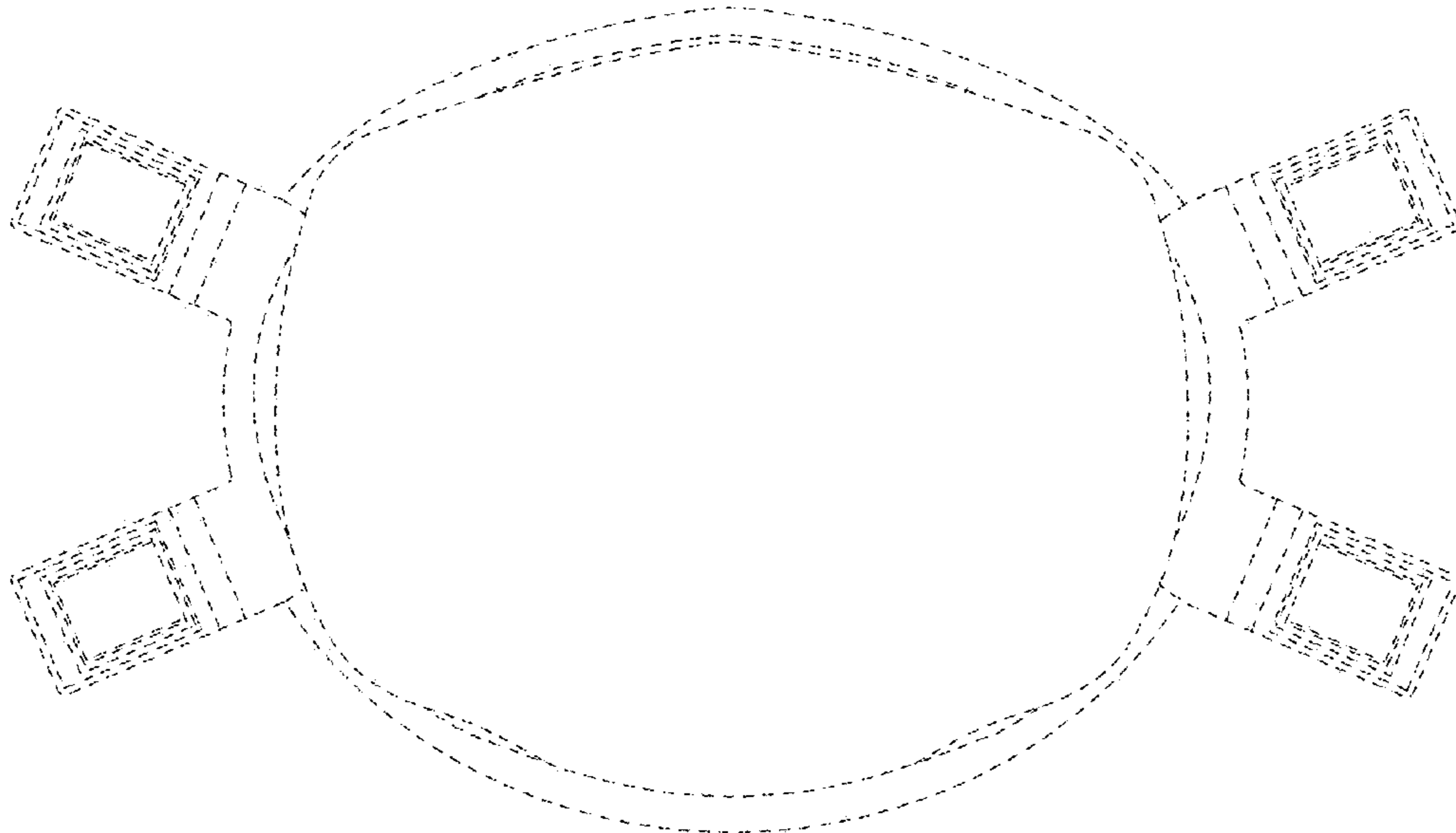


Fig. 3

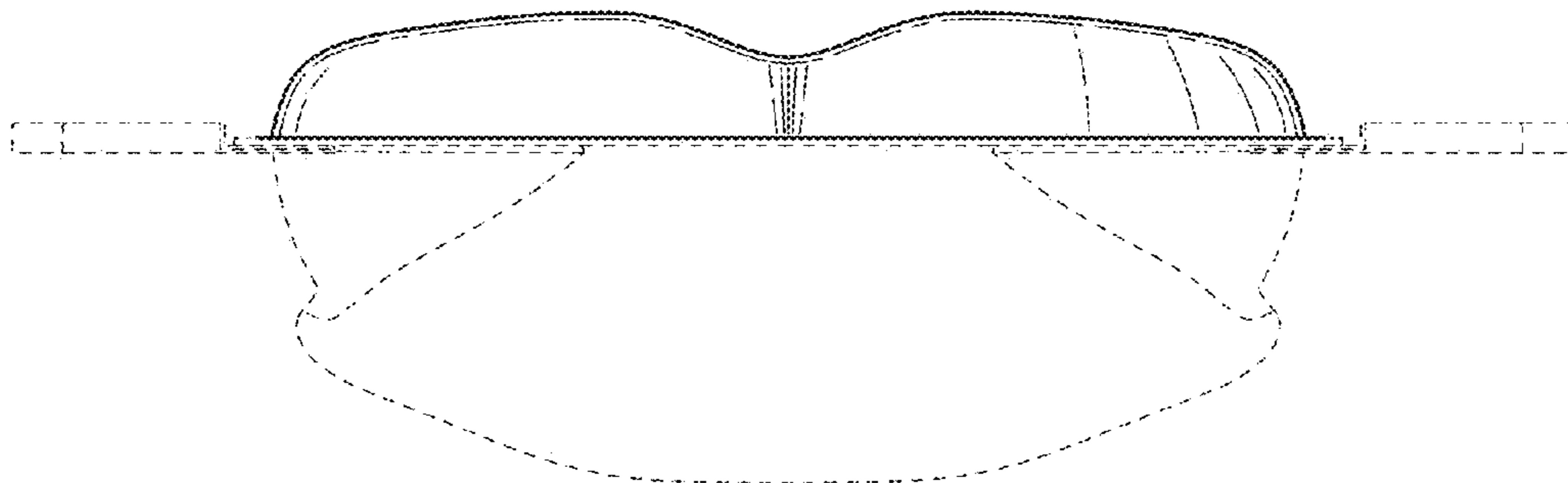


Fig. 4

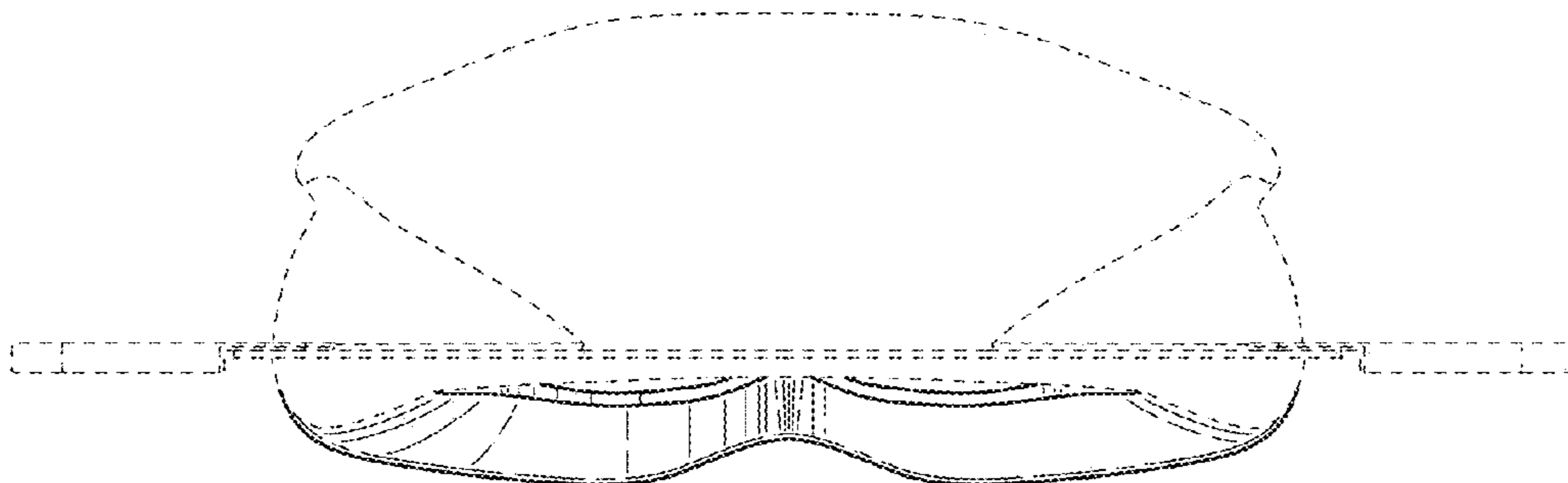


Fig. 5

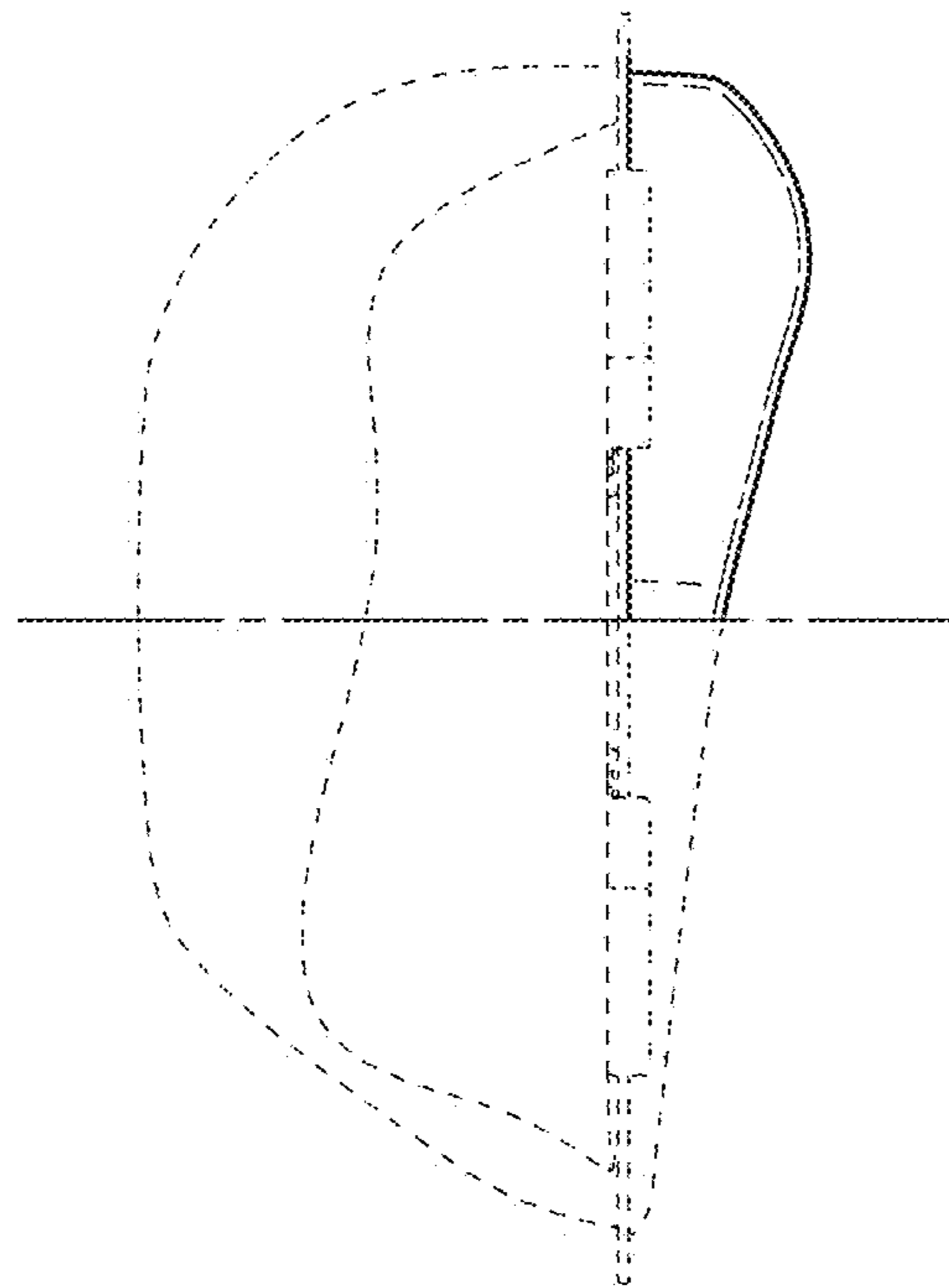


Fig. 6