



US00D760376S

(12) **United States Design Patent**  
**Korneliussen et al.**

(10) **Patent No.:** **US D760,376 S**  
(45) **Date of Patent:** **\*\* Jun. 28, 2016**

(54) **VENTILATING BAG WITH SAFETY VALVE**

(71) Applicant: **Laerdal Medical AS**, Stavanger (NO)

(72) Inventors: **Kjell Ove Korneliussen**, Sandnes (NO);  
**Jens Petter Ianke**, Sola (NO)

(73) Assignee: **Laerdal Medical AS**, Stavanger (NO)

(\*\*) Term: **14 Years**

(21) Appl. No.: **29/493,236**

(22) Filed: **Jun. 6, 2014**

(30) **Foreign Application Priority Data**

Jan. 6, 2014 (NO) ..... 20140004

(51) **LOC (10) Cl.** ..... **29-02**

(52) **U.S. Cl.**  
USPC ..... **D24/110; D24/110.1**

(58) **Field of Classification Search**  
USPC ..... D24/107, 108, 110, 110.1, 110.4–110.6,  
D24/127

CPC ..... A61M 16/0084; A61M 16/0078;  
A61M 16/08; A61M 16/208; A61M 16/0816;  
A61M 16/20; A61M 16/209; A62B 9/00  
See application file for complete search history.

(56) **References Cited**

**U.S. PATENT DOCUMENTS**

- 2,887,105 A \* 5/1959 Brown ..... A61M 16/0048  
128/203.11
- 3,726,274 A \* 4/1973 Bird ..... A61M 16/00  
128/205.24
- D234,637 S \* 3/1975 Flynn ..... D23/245
- D238,576 S \* 1/1976 Vidal ..... D23/209
- D300,270 S \* 3/1989 Rudolph ..... D24/110.6
- D300,271 S \* 3/1989 Rudolph ..... D24/110.6
- D300,272 S \* 3/1989 Rudolph ..... D24/110.6
- D300,273 S \* 3/1989 Rudolph ..... D24/110.6
- D300,274 S \* 3/1989 Rudolph ..... D24/110.6

- D303,586 S \* 9/1989 Rudolph ..... D24/110.6
- D305,165 S \* 12/1989 Rudolph ..... D24/110.6
- D306,086 S \* 2/1990 Rudolph ..... D24/110.6
- D355,030 S \* 1/1995 Baldwin ..... D24/110.6
- D357,532 S \* 4/1995 McCulloch ..... D24/110.5

(Continued)

**OTHER PUBLICATIONS**

“Artificial Resuscitator (Ambu Type Bag), Silicone, Autoclavable—Deluxe Quality (Infant),” Obtained from [http://www.narang.com/anaesthesia-equipments-products/silicone\\_autoclavable/AN230.php](http://www.narang.com/anaesthesia-equipments-products/silicone_autoclavable/AN230.php), Date retrieved Jun. 5, 2014, 3 pages.

(Continued)

*Primary Examiner* — Sheryl Lane

*Assistant Examiner* — Lilyana Bekic

(74) *Attorney, Agent, or Firm* — Blank Rome, LLP

(57) **CLAIM**

The ornamental design for a ventilating bag with safety valve, as shown and described.

**DESCRIPTION**

FIG. 1 is a perspective view from the top of a ventilating bag with safety valve showing our new design.

FIG. 2 is a perspective view from the bottom of the ventilating bag with safety valve.

FIG. 3 is an elevational view of a front side of the ventilating bag with safety valve, the back side view being a mirror image thereof.

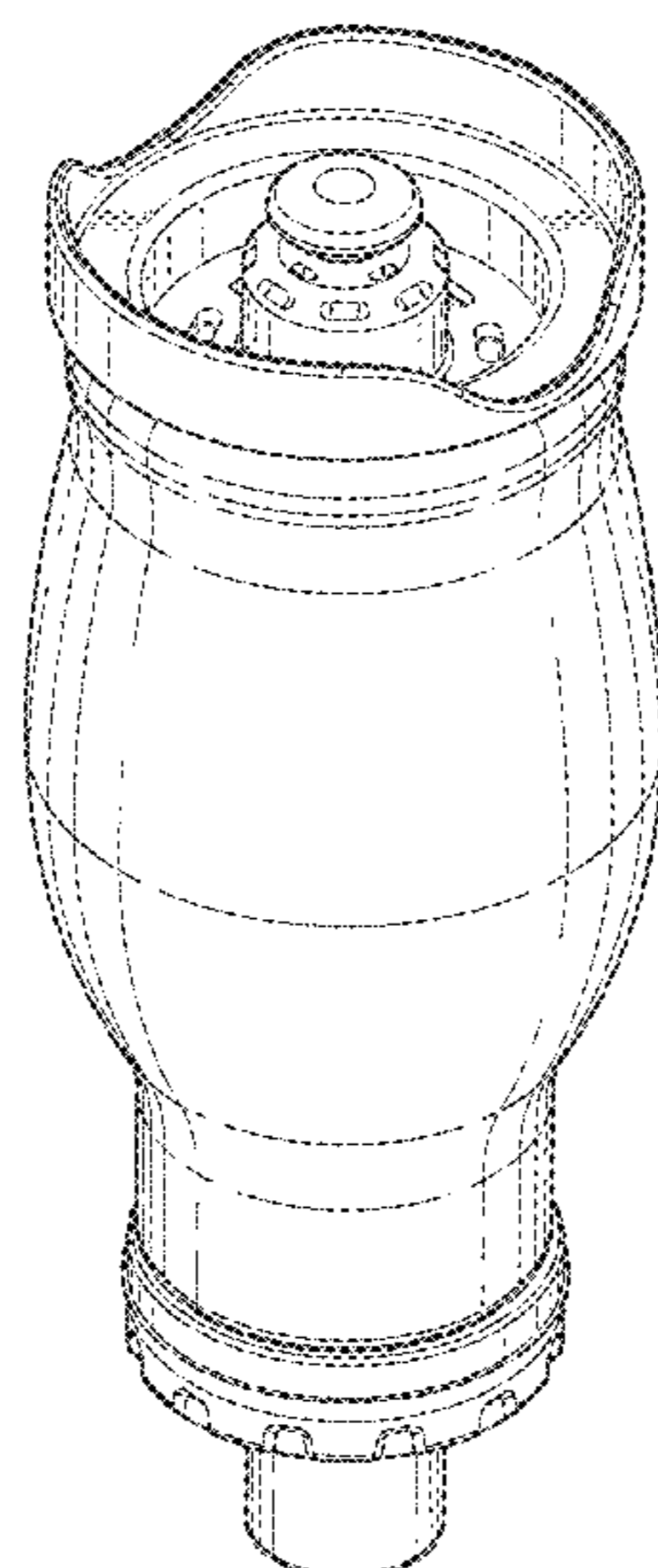
FIG. 4 is an elevational view of a right side of the ventilating bag with safety valve, the left side view being a mirror image thereof.

FIG. 5 is a plan view of a top end of the ventilating bag with safety valve; and,

FIG. 6 is a plan view of a bottom end of the ventilating bag with safety valve.

The dash-dot-dash broken lines represent the boundaries of the claim design and form no part thereof.

**1 Claim, 5 Drawing Sheets**



(56)

**References Cited**

U.S. PATENT DOCUMENTS

5,749,358 A \* 5/1998 Good ..... A61M 16/0078  
128/202.28  
5,762,063 A \* 6/1998 Coates ..... A61M 16/0084  
128/202.27  
5,803,074 A \* 9/1998 Pope ..... A61M 16/0084  
128/203.11  
5,996,579 A \* 12/1999 Coates ..... A61M 16/0084  
128/202.27  
D424,193 S \* 5/2000 Wohltmann, Jr. .... D24/110.6  
D429,330 S \* 8/2000 Hoenig ..... D24/110.6  
D519,632 S \* 4/2006 Bayron ..... D24/110.6  
8,281,788 B2 \* 10/2012 Thompson ..... A61H 31/004  
128/200.24  
D686,315 S \* 7/2013 Lee ..... D24/110.1  
D724,198 S \* 3/2015 Oostman ..... D24/110.1  
D727,493 S \* 4/2015 Biener ..... D24/110.6  
2004/0173214 A1 \* 9/2004 Tinker ..... A61M 16/06  
128/205.13  
2006/0191536 A1 \* 8/2006 Kroupa ..... A61M 16/0078  
128/205.13

2010/0192953 A1 \* 8/2010 Lee ..... A61M 16/0078  
128/205.13  
2014/0318545 A1 \* 10/2014 Ackerman ..... A61M 16/208  
128/205.14  
2015/0018694 A1 \* 1/2015 Gomo ..... A61M 16/0816  
600/484

OTHER PUBLICATIONS

“Doctors with Reiki—Kanaka Sick,” Obtained from <http://reikidoc.blogspot.com/2012/12/kanaka-sick.html>, Date retrieved Apr. 28, 2014, 5 pages.  
“Introducing The Bag II from Laerdal,” Laerdal Medical Corporation, 2008, date retrieved Jun. 5, 2014, 2 pages.  
“Laerdal Silicone Resuscitators—Directions for Use,” Laerdal Medical Corporation, 2010, date retrieved Jun. 5, 2014, 2 pages.  
“Manual Resuscitator(Ambu Bag)—Chennai,” Obtained from <http://trade.indiamart.com/details.mp?offer=3512957173>, Date retrieved Apr. 28, 2014, 3 pages.  
“The Bag II Disposable Resuscitator,” Laerdal Medical Corporation, 2010, date retrieved Jun. 5, 2014, 12 pages.  
“The Bag II from Laerdal,” Laerdal Medical Corporation, 2008, date retrieved Jun. 5, 2014, 2 pages.

\* cited by examiner

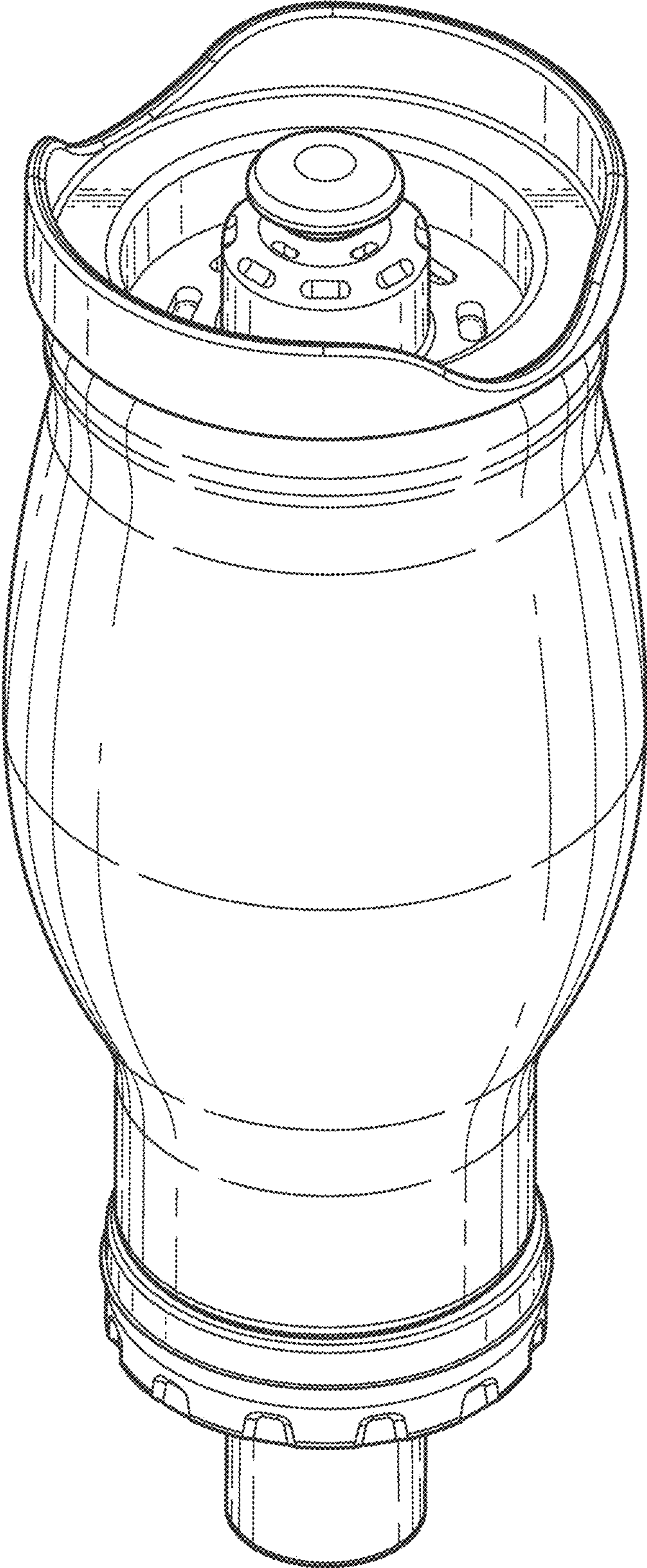
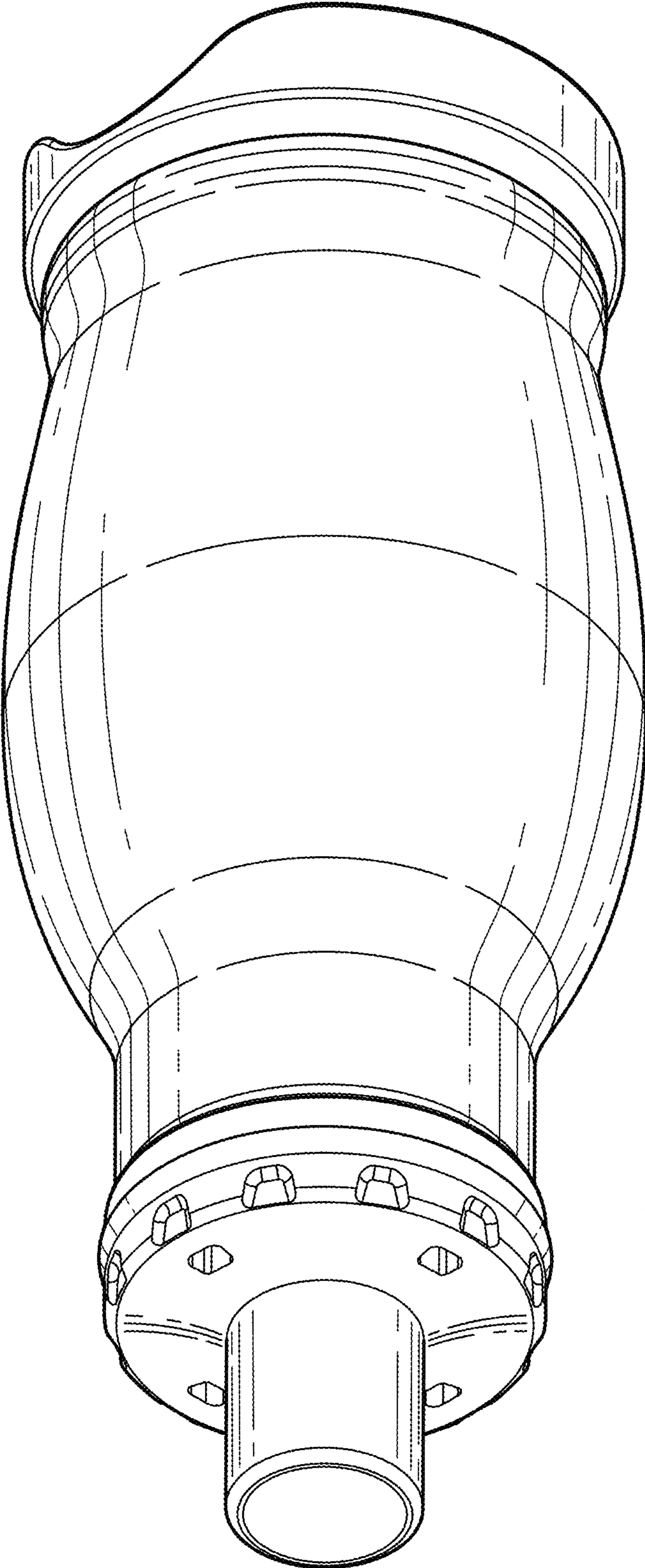
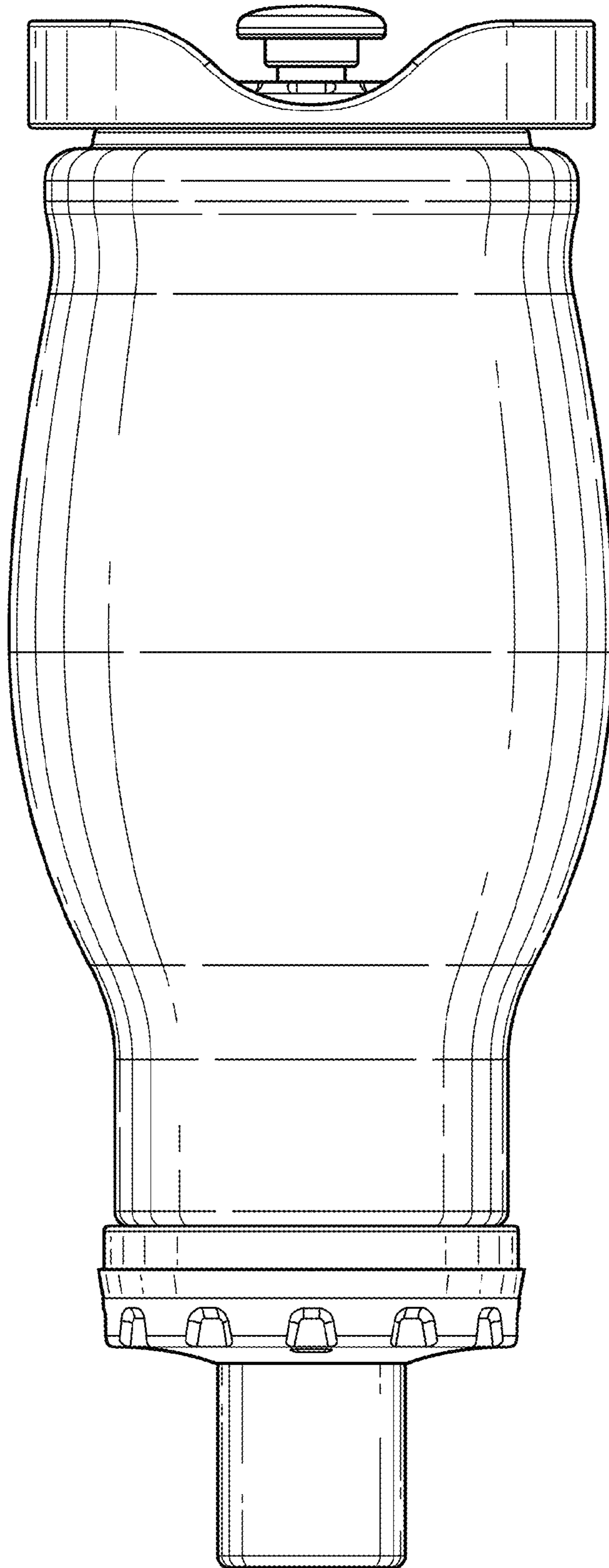


FIG. 1



**FIG. 2**



**FIG. 3**

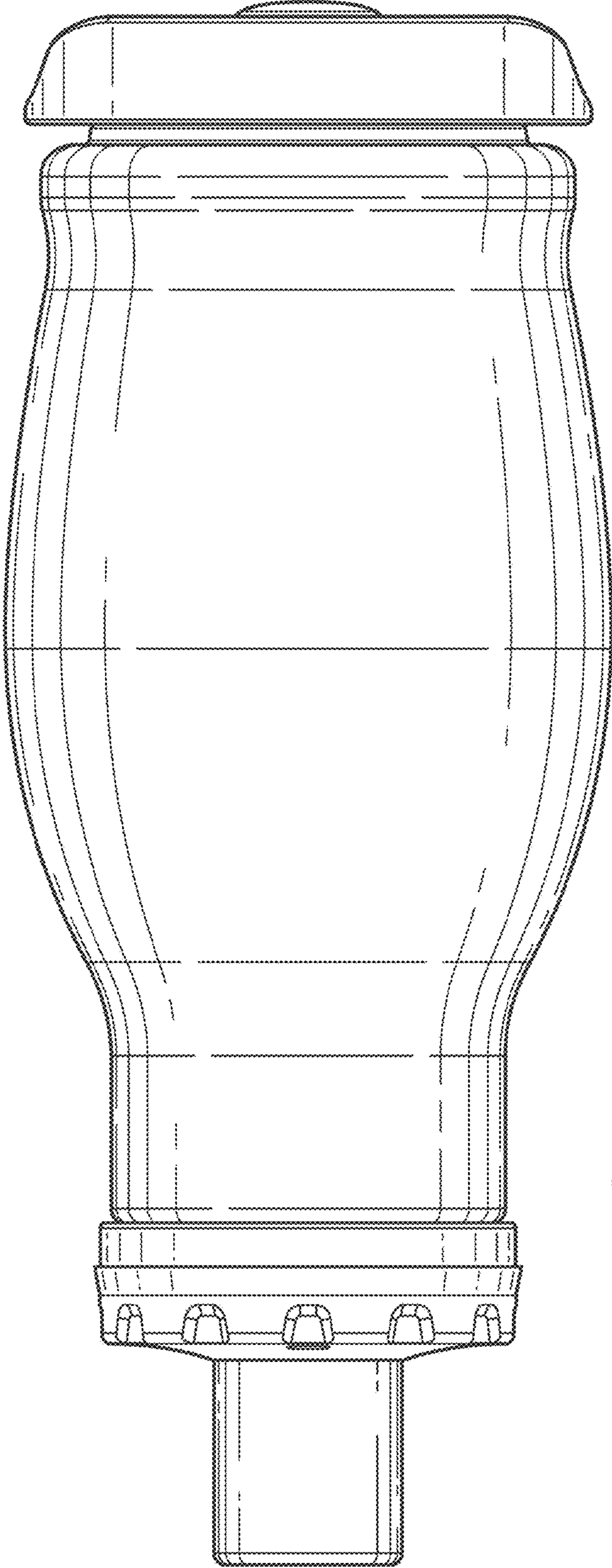


FIG. 4

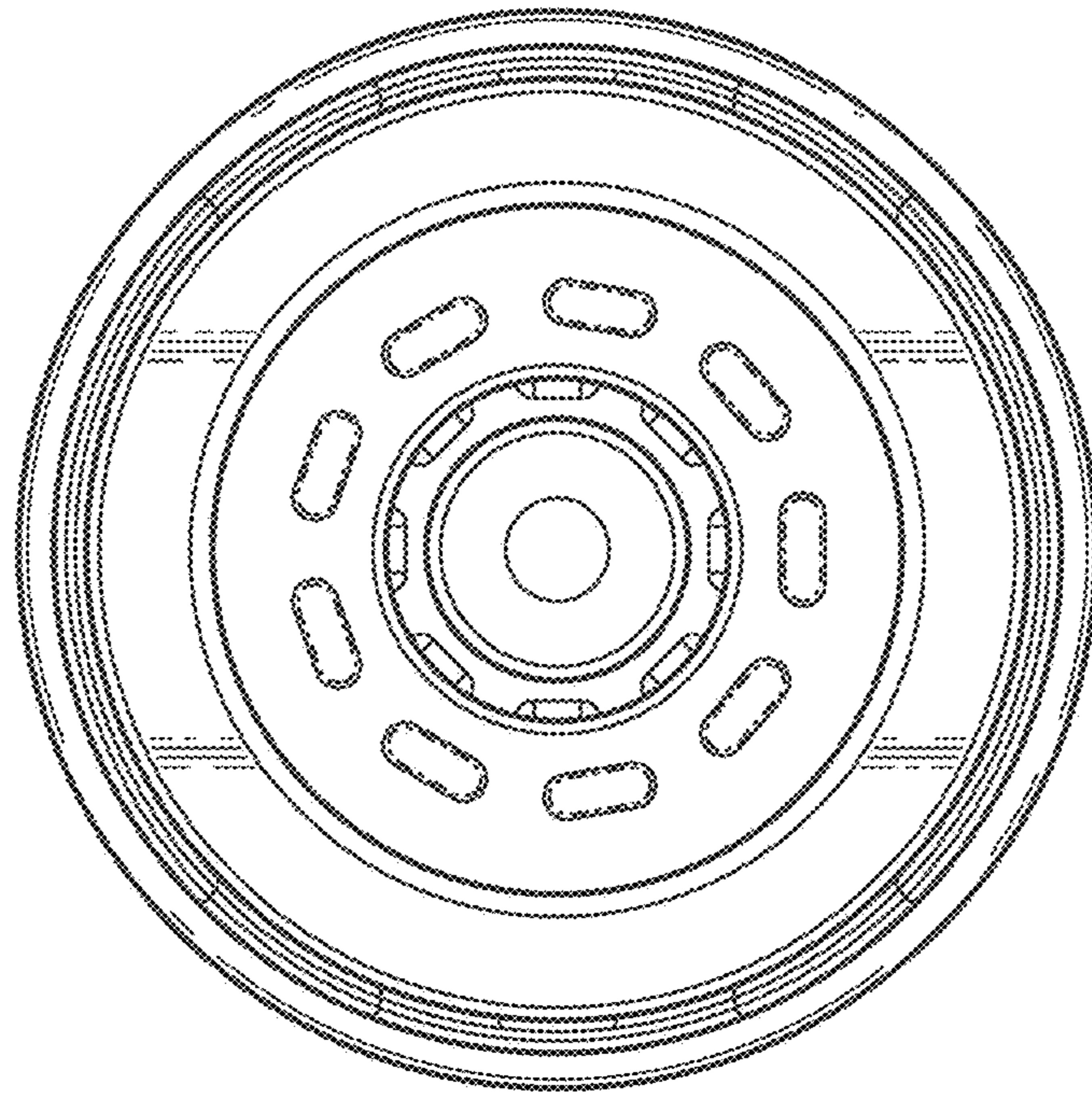


FIG. 5

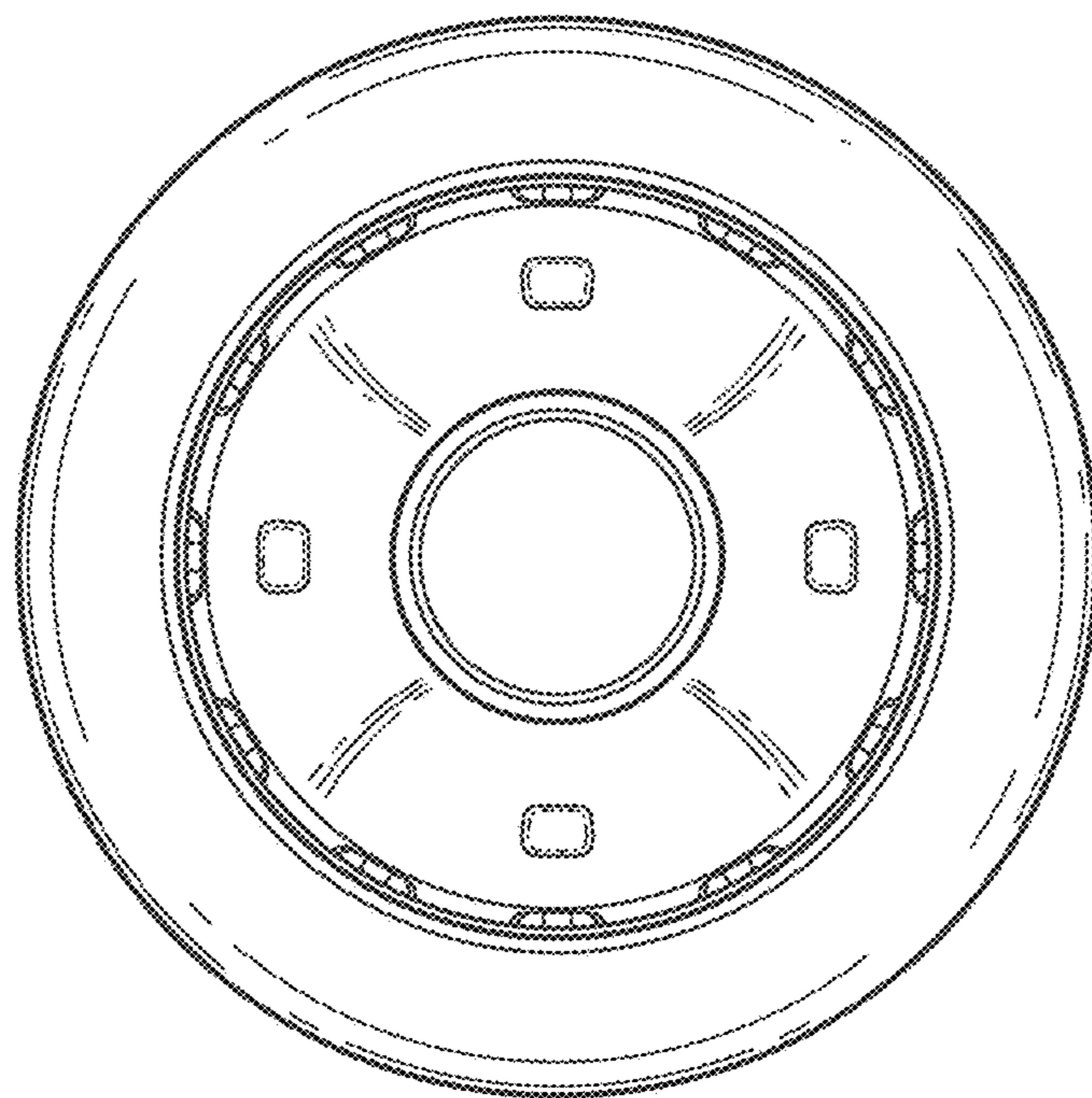


FIG. 6