



US00D760375S

(12) **United States Design Patent**
Ng et al.

(10) **Patent No.:** **US D760,375 S**
(45) **Date of Patent:** **** Jun. 28, 2016**

(54) **FILTER ASSEMBLY FOR VENTILATOR**

(71) Applicant: **ResMed Paris SAS**, Moissy Cramayel (FR)

(72) Inventors: **Eva Ng**, Sydney (AU); **Benjamin John Leavens**, Sydney (AU); **Kenneth Taylor**, Sydney (AU); **Jonathan Huw Thomas**, Sydney (AU)

(73) Assignee: **ResMed Paris SAS**, Moissy Cramayel (FR)

(**) Term: **14 Years**

(21) Appl. No.: **29/491,216**

(22) Filed: **May 19, 2014**

Related U.S. Application Data

(62) Division of application No. 29/398,887, filed on Aug. 5, 2011, now Pat. No. Des. 708,733.

(51) **LOC (10) Cl.** **29-02**

(52) **U.S. Cl.**
USPC **D24/110**

(58) **Field of Classification Search**
USPC D24/110, 127, 162, 164
CPC A61M 16/105; A61M 16/1055; A61M 16/106; A61M 16/1065; A61M 16/107; A61M 2205/7518; A61M 2205/7536
See application file for complete search history.

(56) **References Cited**

U.S. PATENT DOCUMENTS

4,172,709 A * 10/1979 Kippel et al. 96/416
D360,029 S * 7/1995 Yoshikawa D23/365
D420,118 S 2/2000 Radko et al.
6,261,333 B1 * 7/2001 Dickson 55/385.3

D459,477 S 6/2002 Stocks et al.
D467,335 S 12/2002 Lithgow et al.
6,619,287 B2 * 9/2003 Blackhurst et al. 128/205.12
D546,950 S 7/2007 Orth
9,010,321 B2 * 4/2015 Stenzler et al. 128/201.25
2006/0213518 A1 9/2006 DeVries et al.
2007/0215155 A1 9/2007 Marx et al.

OTHER PUBLICATIONS

Ng et al., Parent U.S. Appl. No. 29/398,887, filed Aug. 5, 2011.

* cited by examiner

Primary Examiner — Richelle G Shelton

(74) *Attorney, Agent, or Firm* — Nixon & Vanderhye P.C.

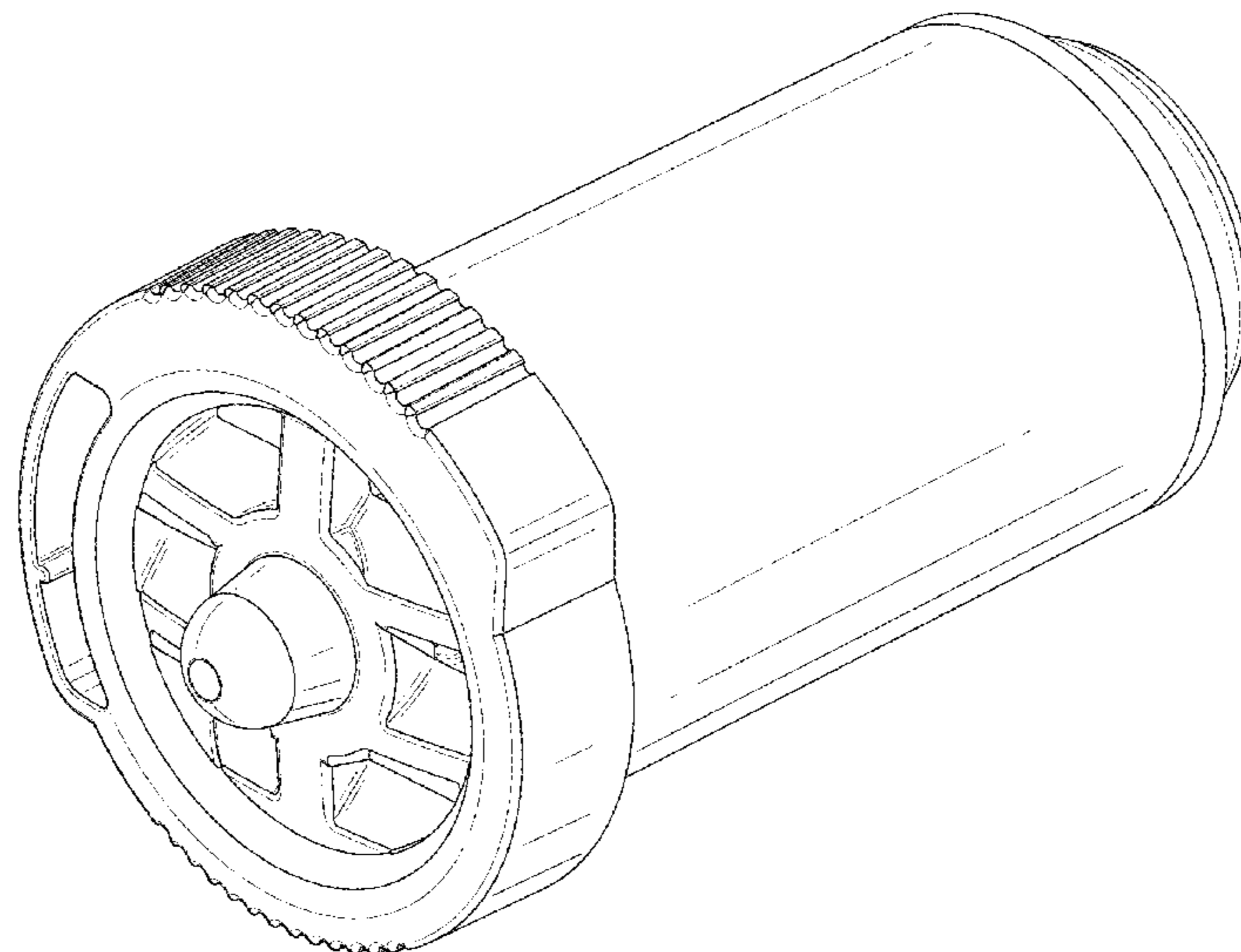
(57) **CLAIM**

The ornamental design for a filter assembly for ventilator, as shown and described.

DESCRIPTION

FIG. 1 is a front perspective view of a filter assembly for ventilator according to a first embodiment of our design; FIG. 2 is a front view thereof; FIG. 3 is a rear view thereof; FIG. 4 is a top view thereof; FIG. 5 is a bottom view thereof; FIG. 6 is a left side view thereof; FIG. 7 is a right side view thereof; FIG. 8 is a rear perspective view thereof; FIG. 9 is a front perspective view of the filter assembly of FIGS. 1-8 in its preload condition relative to a sample ventilator; and, FIG. 10 is a front perspective view thereof showing the filter assembly assembled to the sample ventilator. The broken line showing of portions of the article and of the ventilator is included for the purpose of illustrating subject matter excluded from the claimed design.

1 Claim, 6 Drawing Sheets



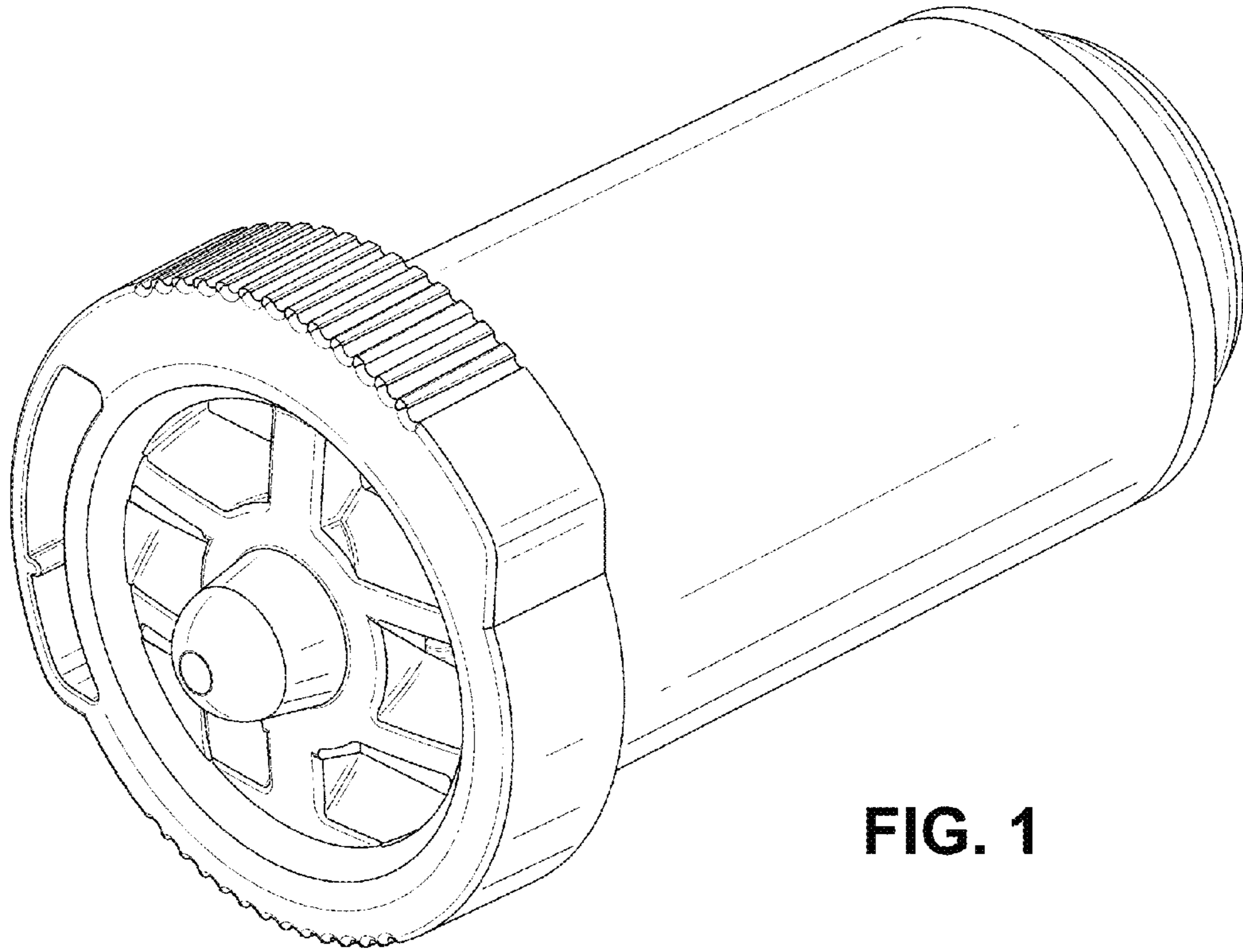


FIG. 1

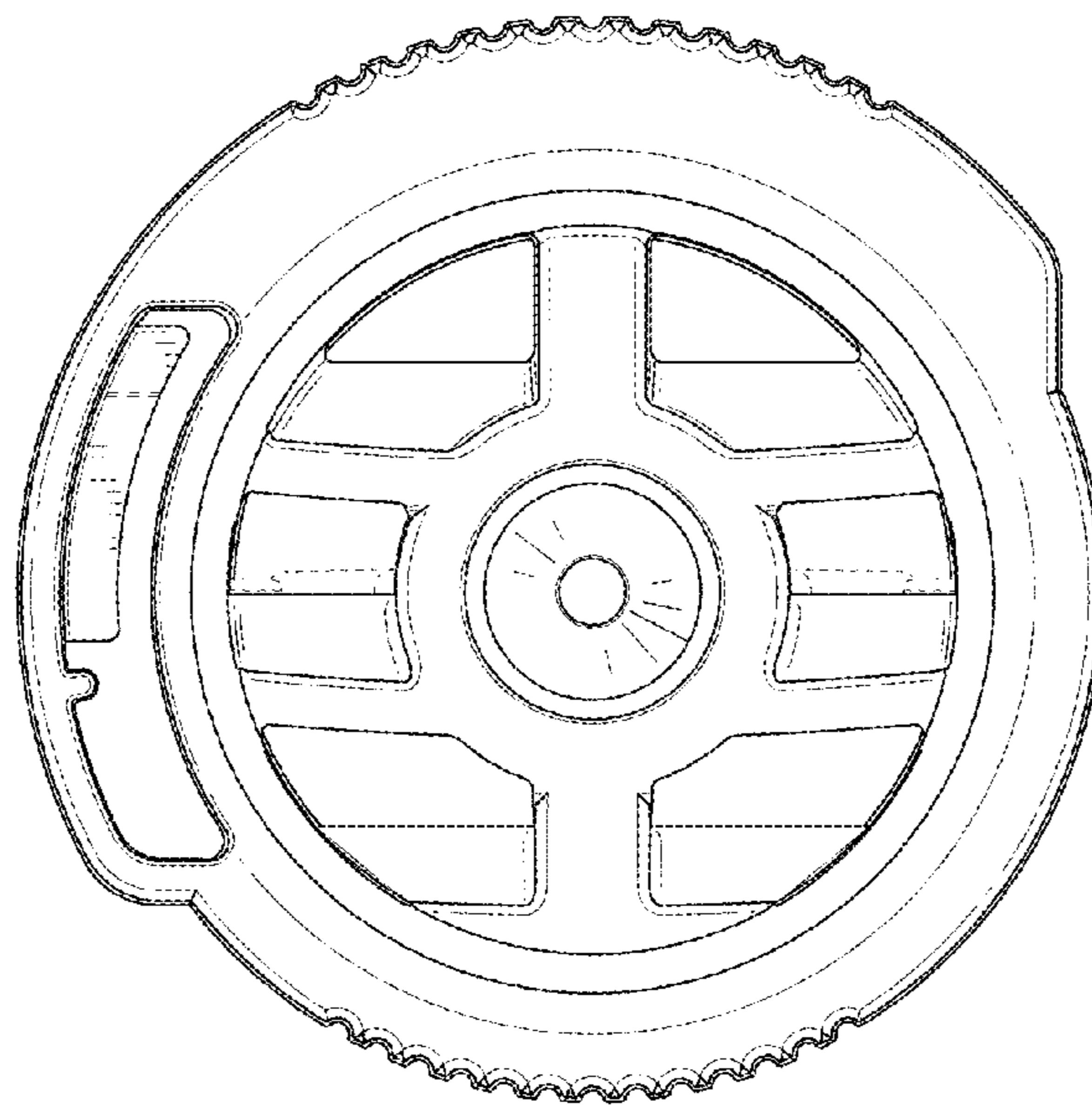


FIG. 2

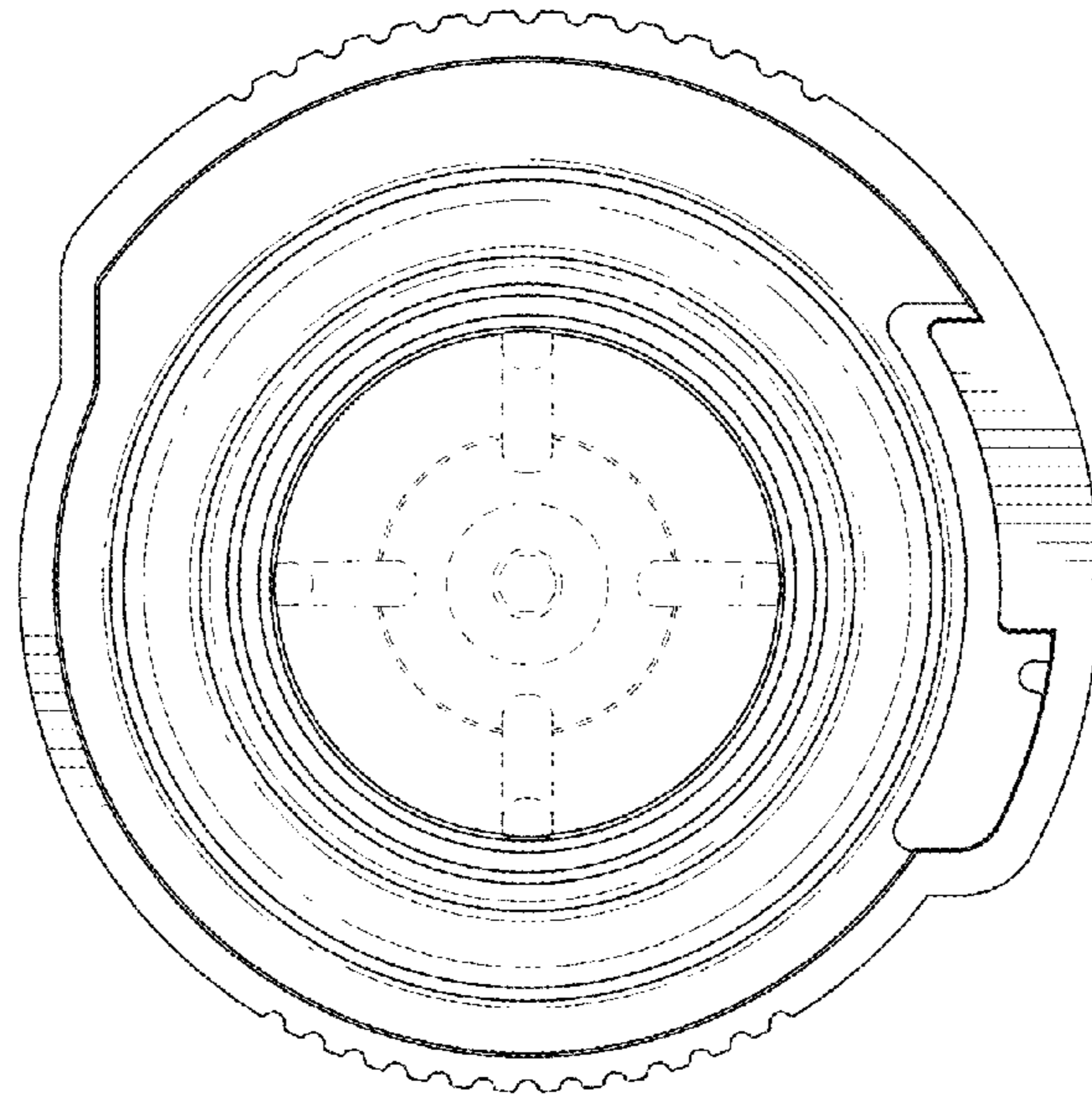


FIG. 3

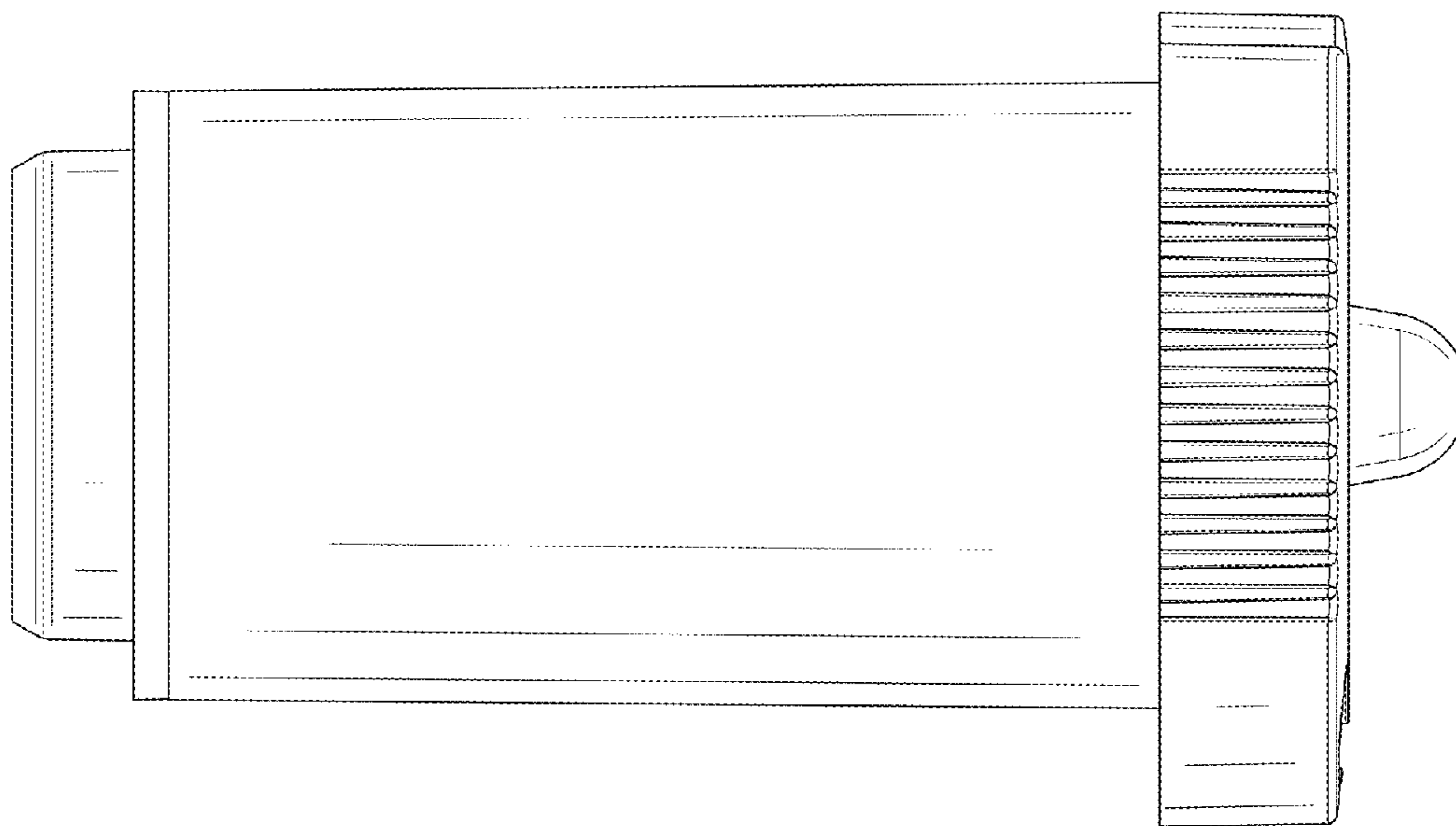


FIG. 4

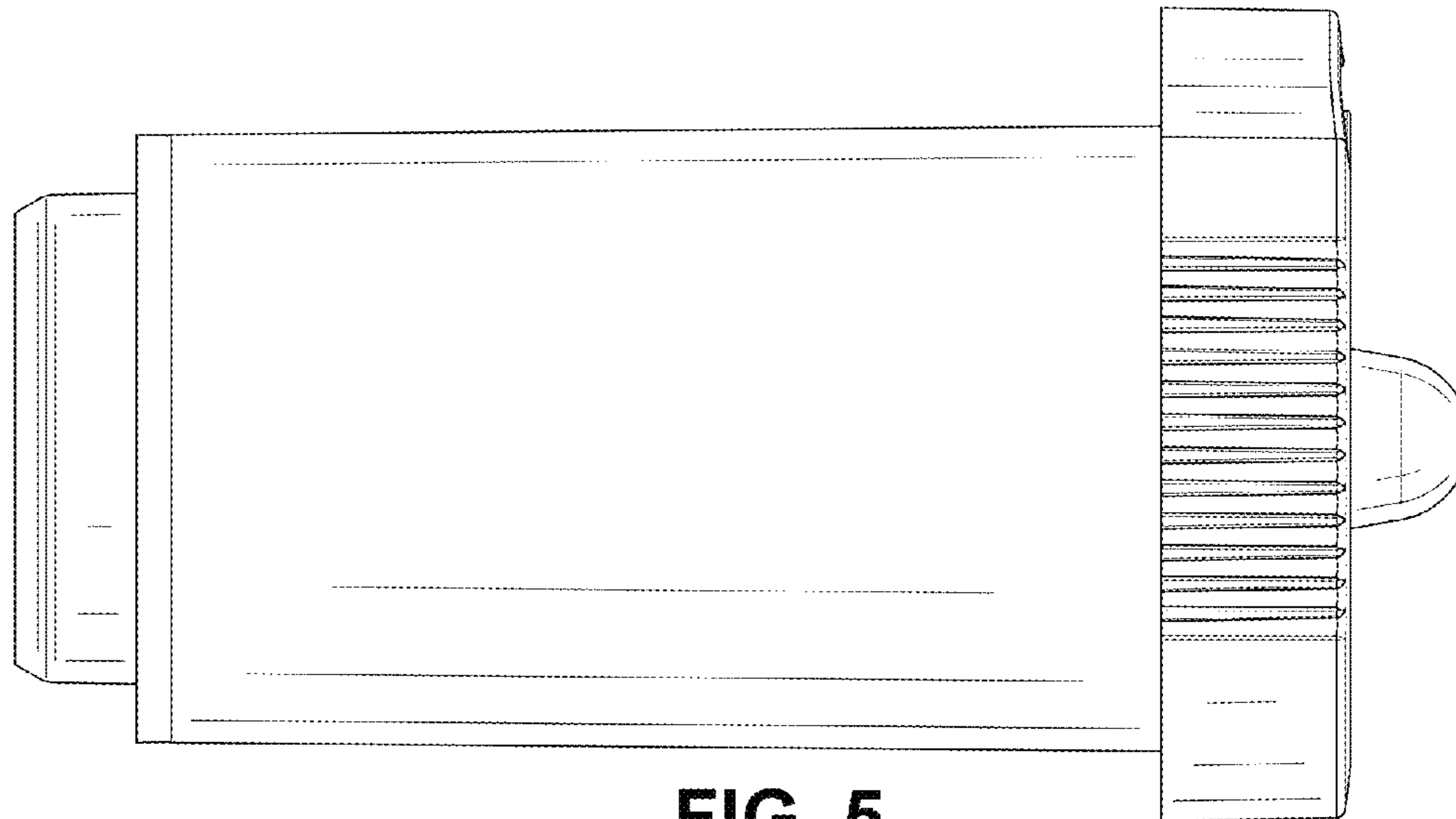


FIG. 5

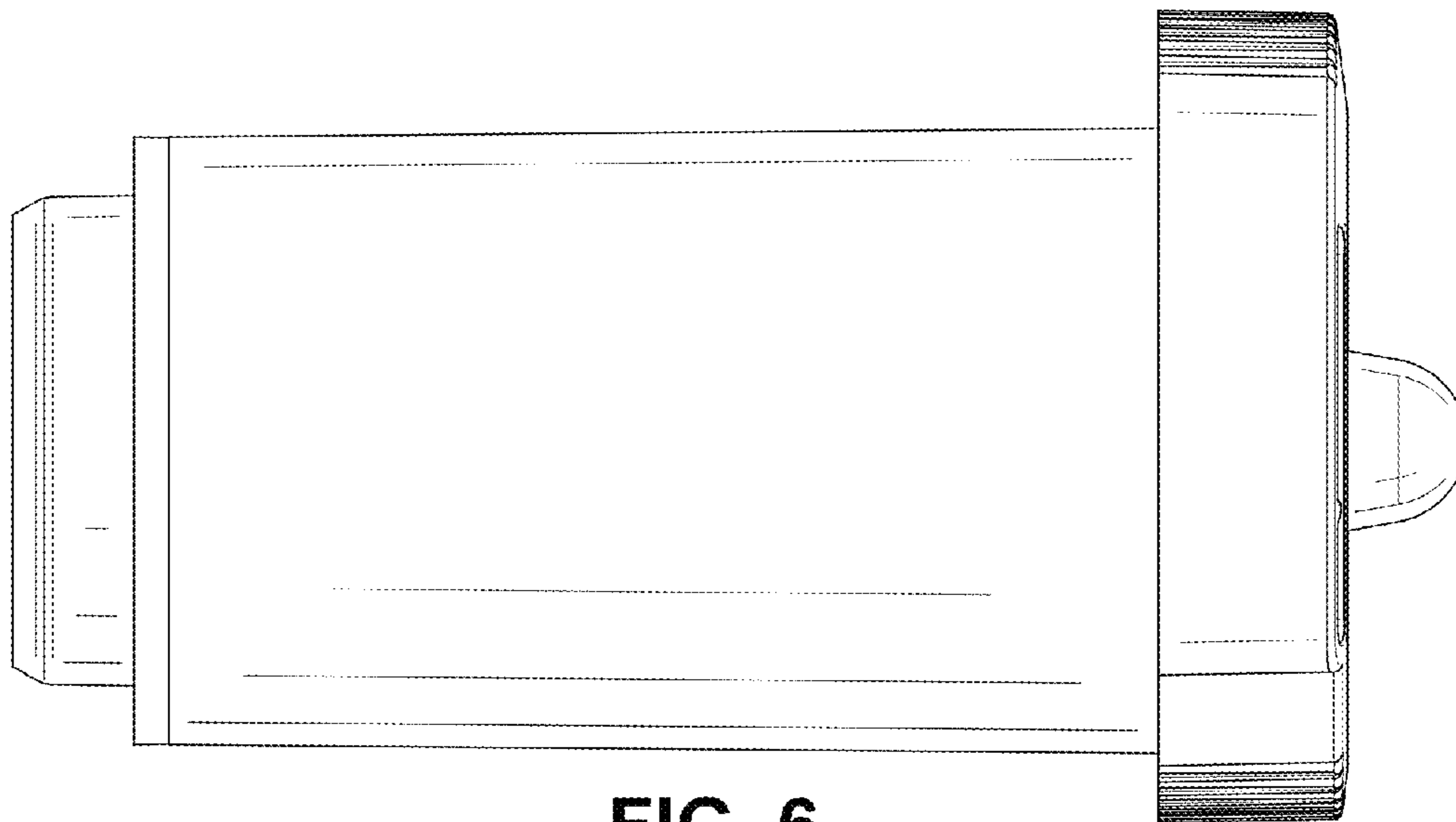


FIG. 6

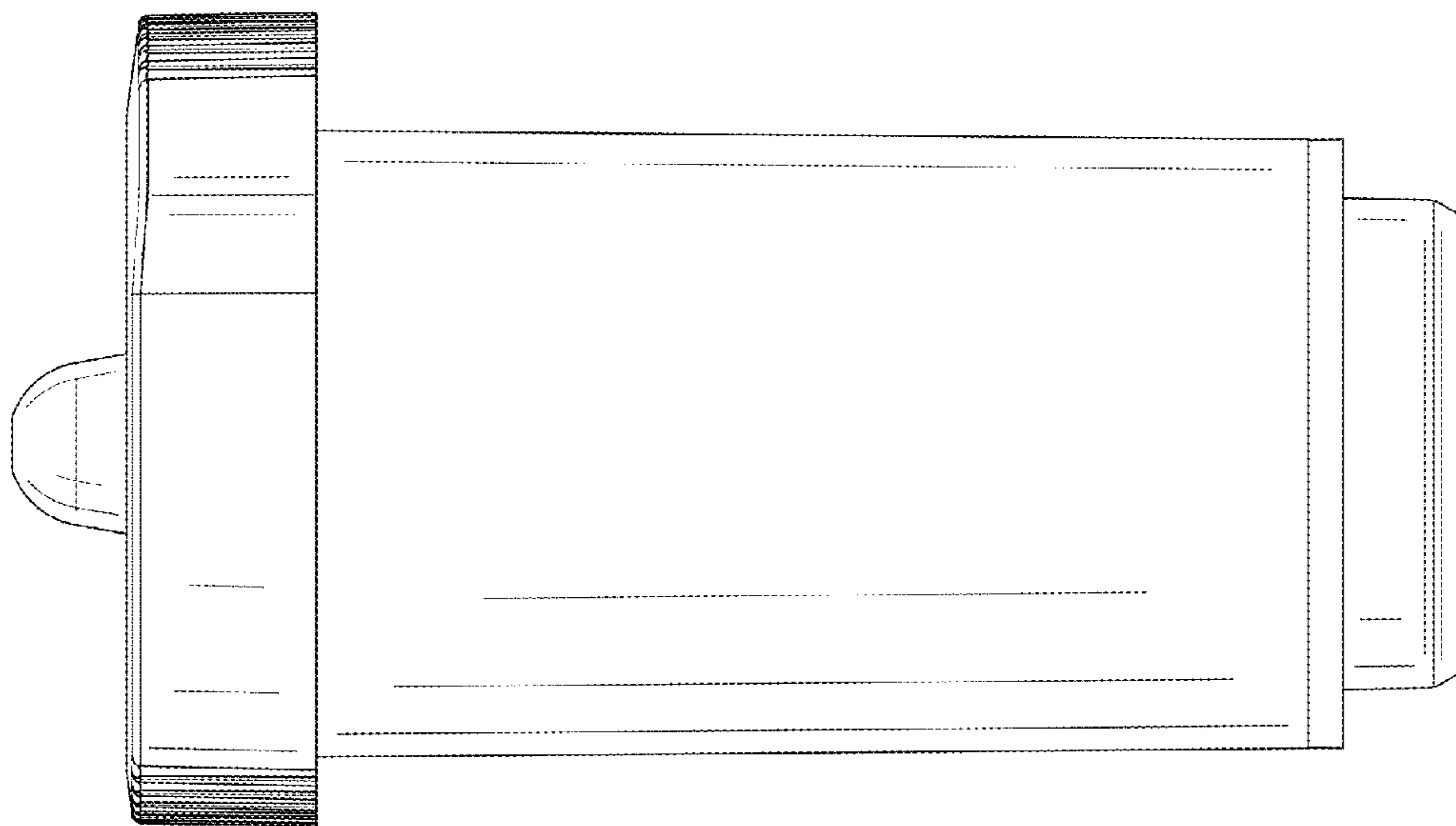


FIG. 7

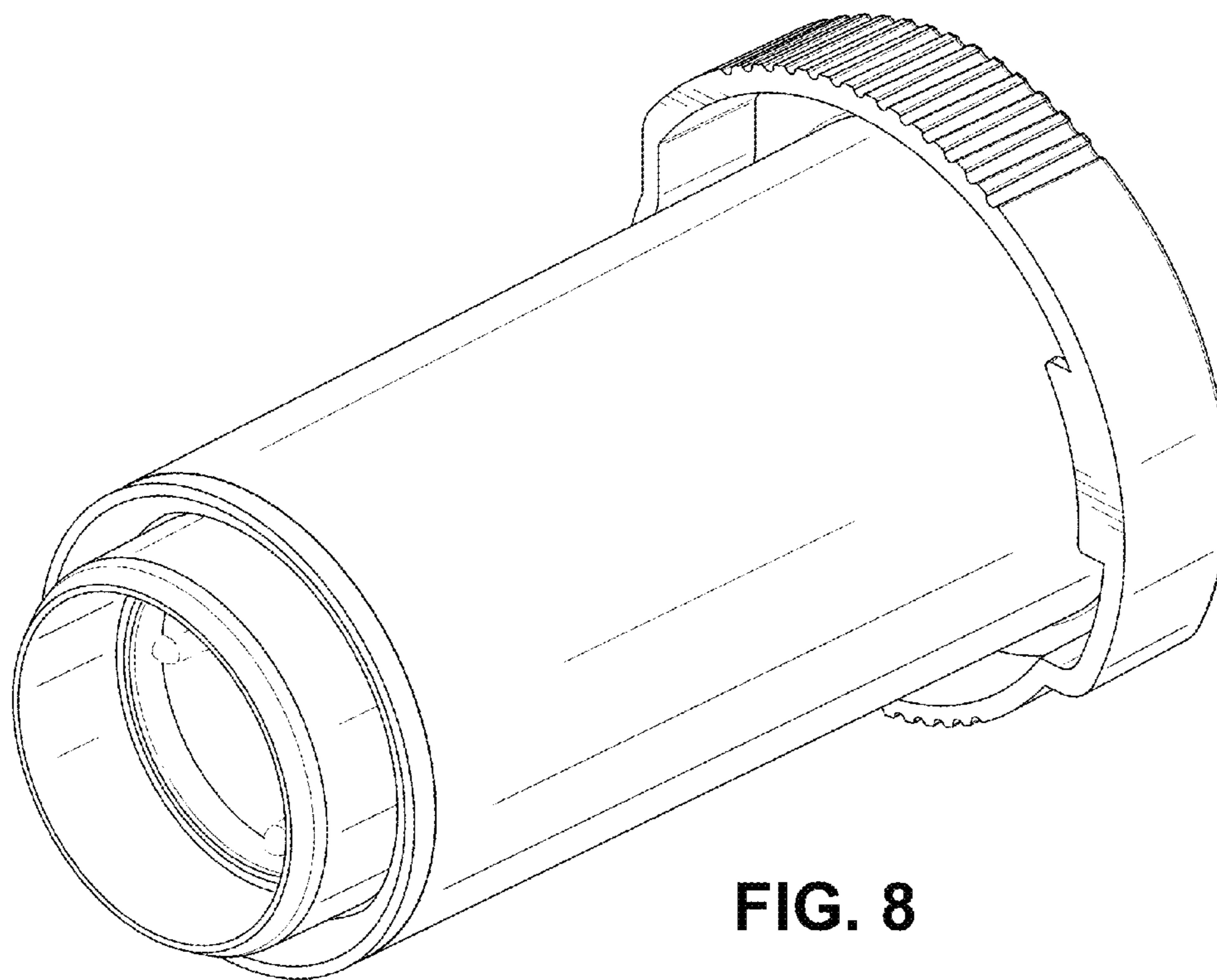


FIG. 8

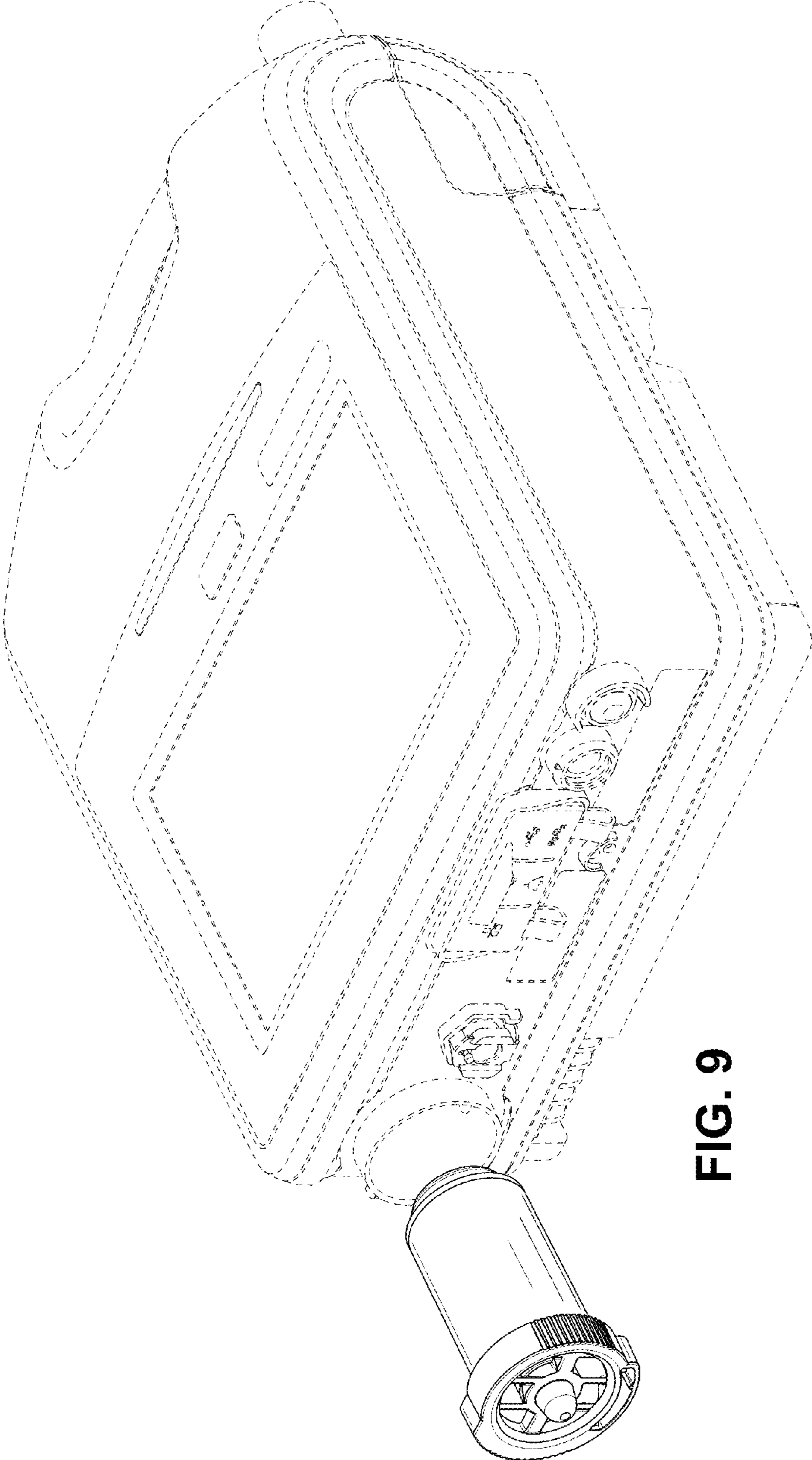


FIG. 9

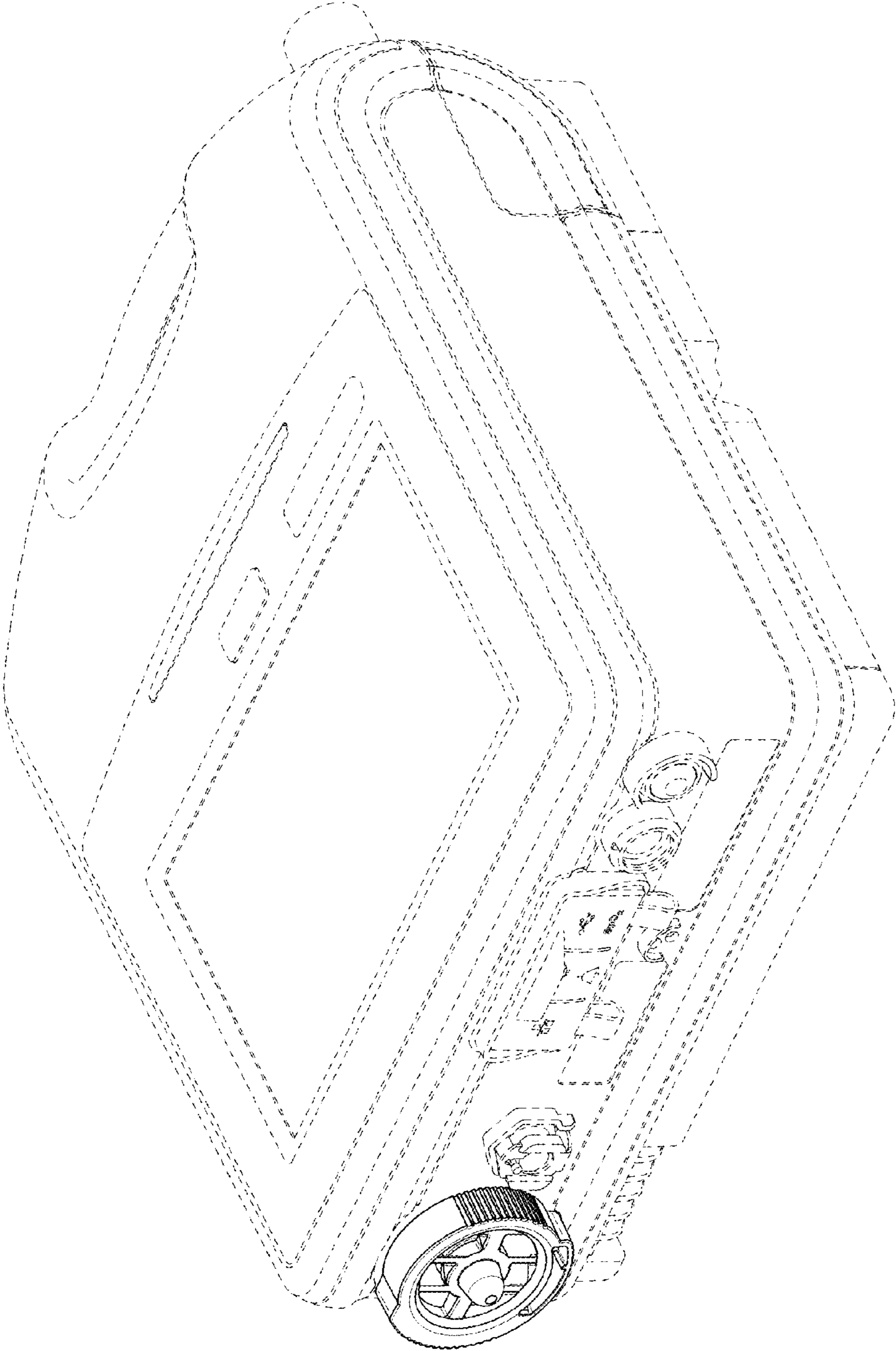


FIG. 10