



US00D760373S

(12) **United States Design Patent**  
**Bucha**

(10) **Patent No.:** **US D760,373 S**  
(45) **Date of Patent:** **\*\* Jun. 28, 2016**

- (54) **SCENTED NOSE PLUG**
- (71) Applicant: **Patricia Bucha**, Pittsburgh, PA (US)
- (72) Inventor: **Patricia Bucha**, Pittsburgh, PA (US)
- (\*\*) Term: **14 Years**
- (21) Appl. No.: **29/525,992**
- (22) Filed: **May 5, 2015**
- (51) **LOC (10) Cl.** ..... **24-04**
- (52) **U.S. Cl.**  
USPC ..... **D24/106**
- (58) **Field of Classification Search**  
USPC ..... D24/106  
CPC ... A62B 23/06; A61F 11/08; A61F 2011/085;  
A61F 11/10  
See application file for complete search history.

D479,319	S *	9/2003	Falco	.....	D24/106
6,701,924	B1	3/2004	Land, Jr.		
7,156,099	B1	1/2007	Jenkins		
D592,748	S *	5/2009	Boulton	.....	D24/108
7,676,051	B2 *	3/2010	Fischer	.....	H04R 25/02 181/135
7,972,293	B2	7/2011	Cullen		
D673,257	S	12/2012	Landaverde, Jr.		
2004/0065065	A1 *	4/2004	Van Patten	.....	A62B 23/06 55/385.1
2007/0221232	A1 *	9/2007	Jenkins	.....	A61F 11/08 128/864
2007/0240931	A1 *	10/2007	Killion	.....	H04R 1/1016 181/129
2009/0007919	A1 *	1/2009	Dolezal	.....	A61M 15/08 128/206.11
2009/0194107	A1	8/2009	Loeser		
2015/0047641	A1 *	2/2015	Frey	.....	A62B 23/06 128/206.11
2015/0190268	A1 *	7/2015	Creps	.....	A61F 5/08 606/199

\* cited by examiner

*Primary Examiner* — Ian Simmons  
*Assistant Examiner* — Richelle G Shelton

(56) **References Cited**  
U.S. PATENT DOCUMENTS

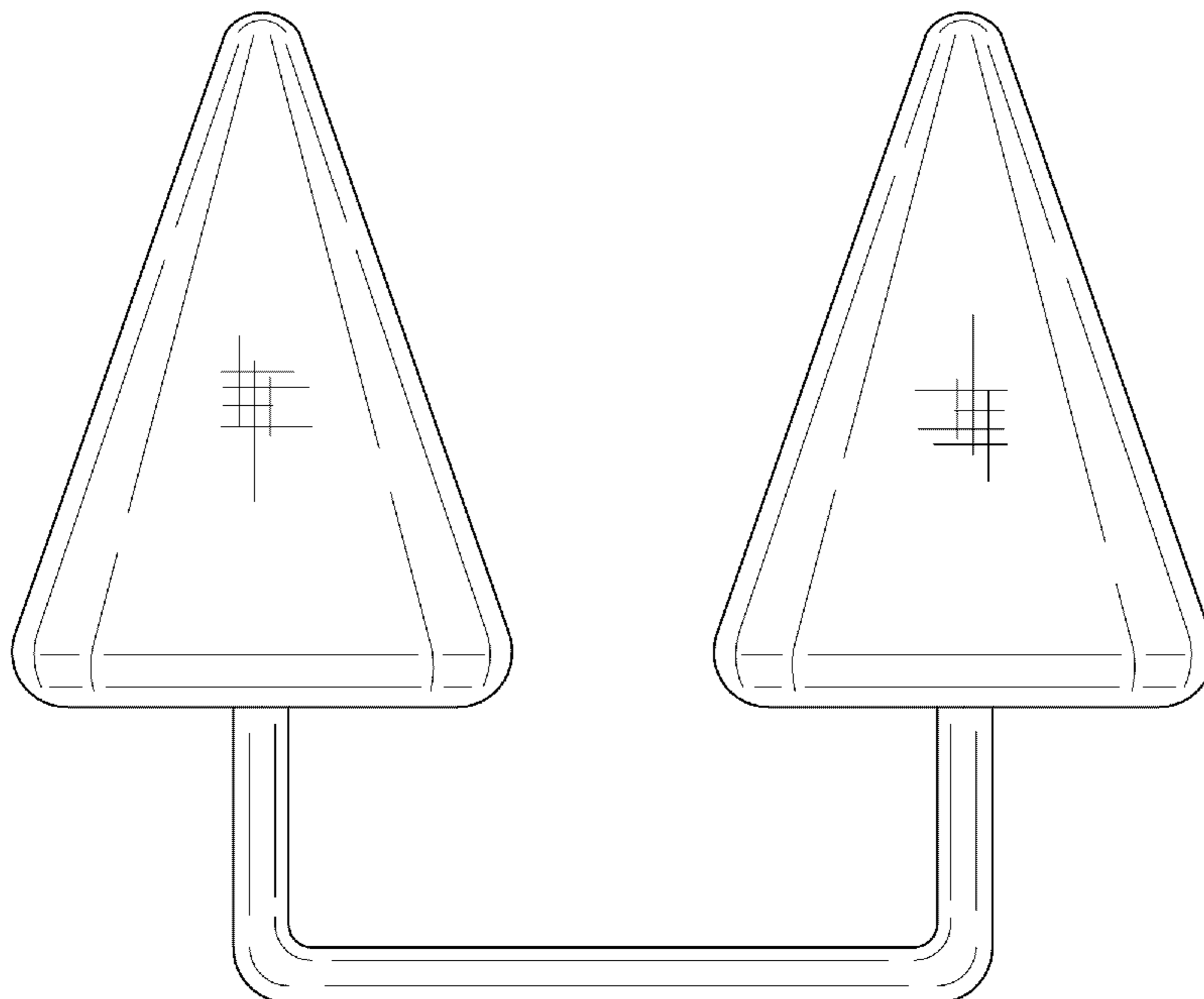
2,274,997	A *	3/1942	Thurman	.....	A61F 5/08 128/201.18
2,433,565	A *	12/1947	Korman	.....	A62B 23/06 128/204.12
2,538,339	A *	1/1951	Thomas	.....	A61F 11/08 128/864
2,824,558	A *	2/1958	Michael	.....	A61F 11/10 128/865
3,905,335	A	9/1975	Kapp		
4,314,553	A *	2/1982	Westerdal	.....	A61F 11/12 128/201.18
D273,614	S *	4/1984	Rolla	.....	D24/106
5,425,359	A	6/1995	Liou		
D408,526	S *	4/1999	Westerdal	.....	D24/106
D412,976	S *	8/1999	Westerdal	.....	D24/106

(57) **CLAIM**  
I claim the ornamental design for a scented nose plug, as shown and described.

**DESCRIPTION**

FIG. 1 is a front view of the scented nose plug.  
FIG. 2 is a side view of the claimed design.  
FIG. 3 is a top view of the claimed design.  
FIG. 4 is a bottom view of the claimed design; and,  
FIG. 5 is a perspective view of the claimed design.

**1 Claim, 4 Drawing Sheets**



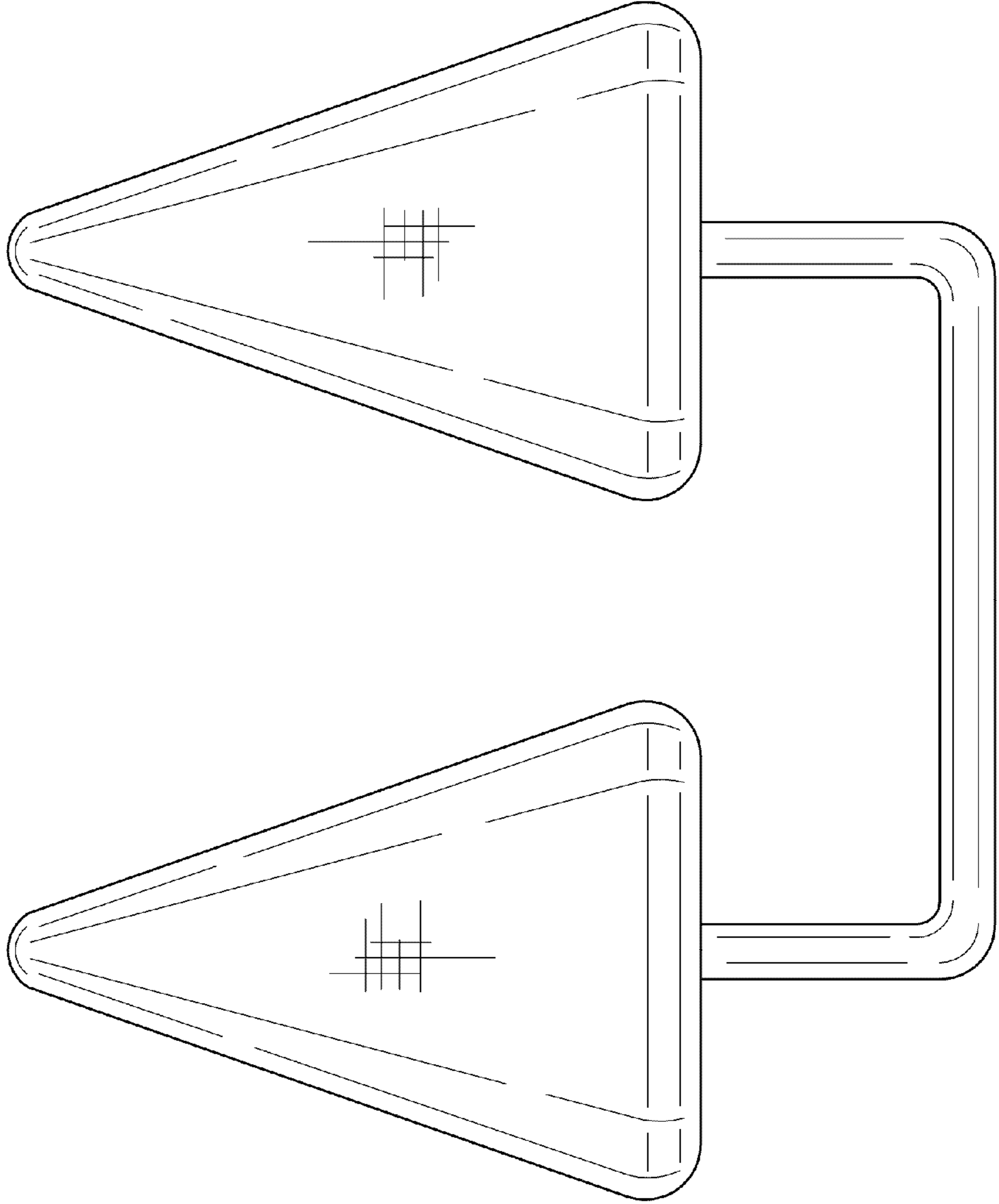


FIG. 1

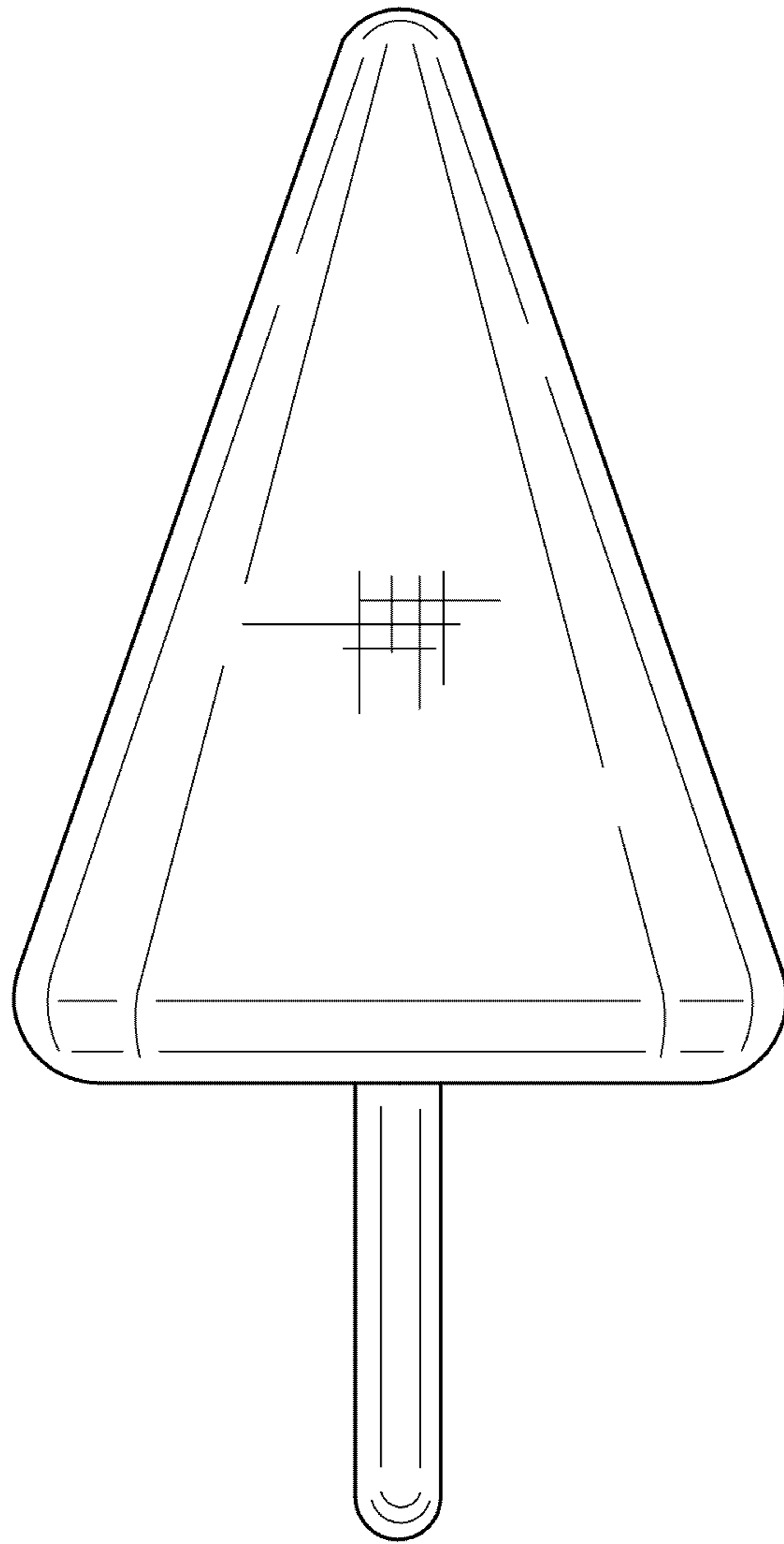


FIG. 2

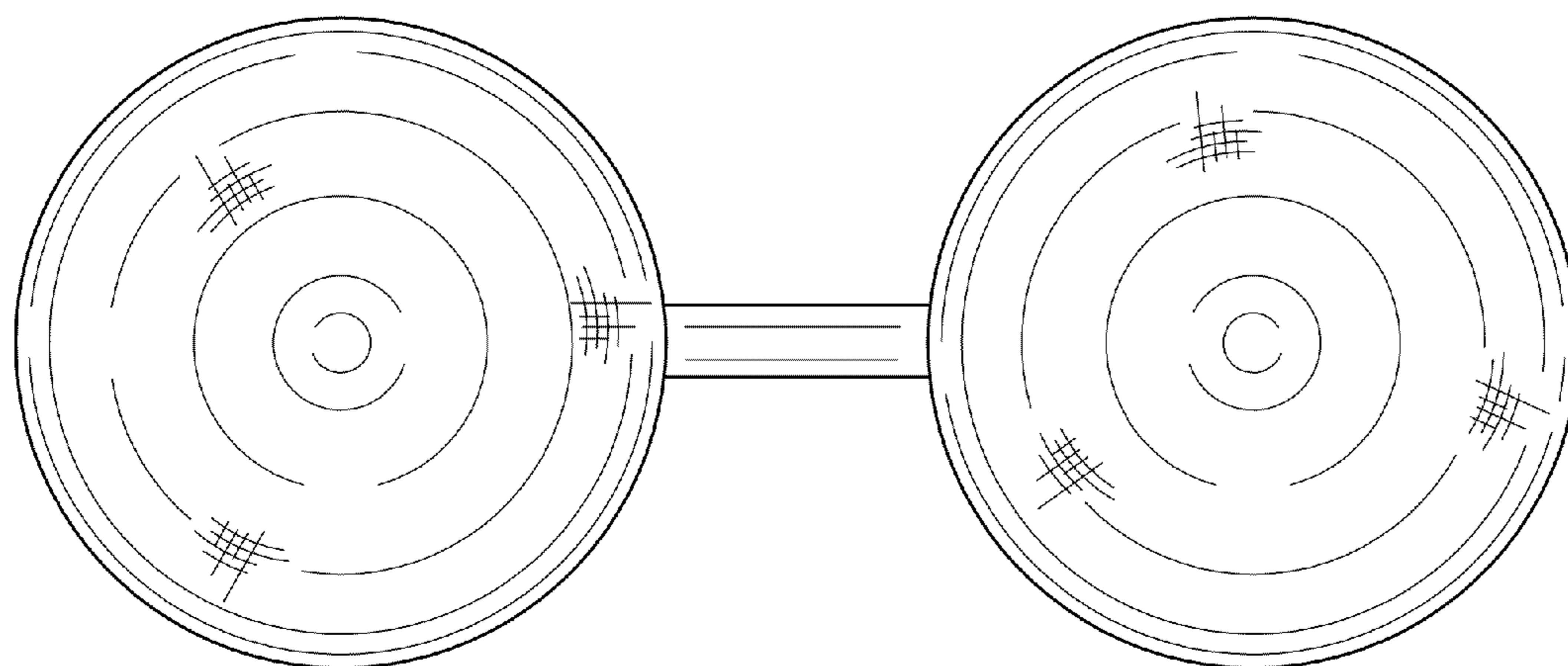


FIG. 3

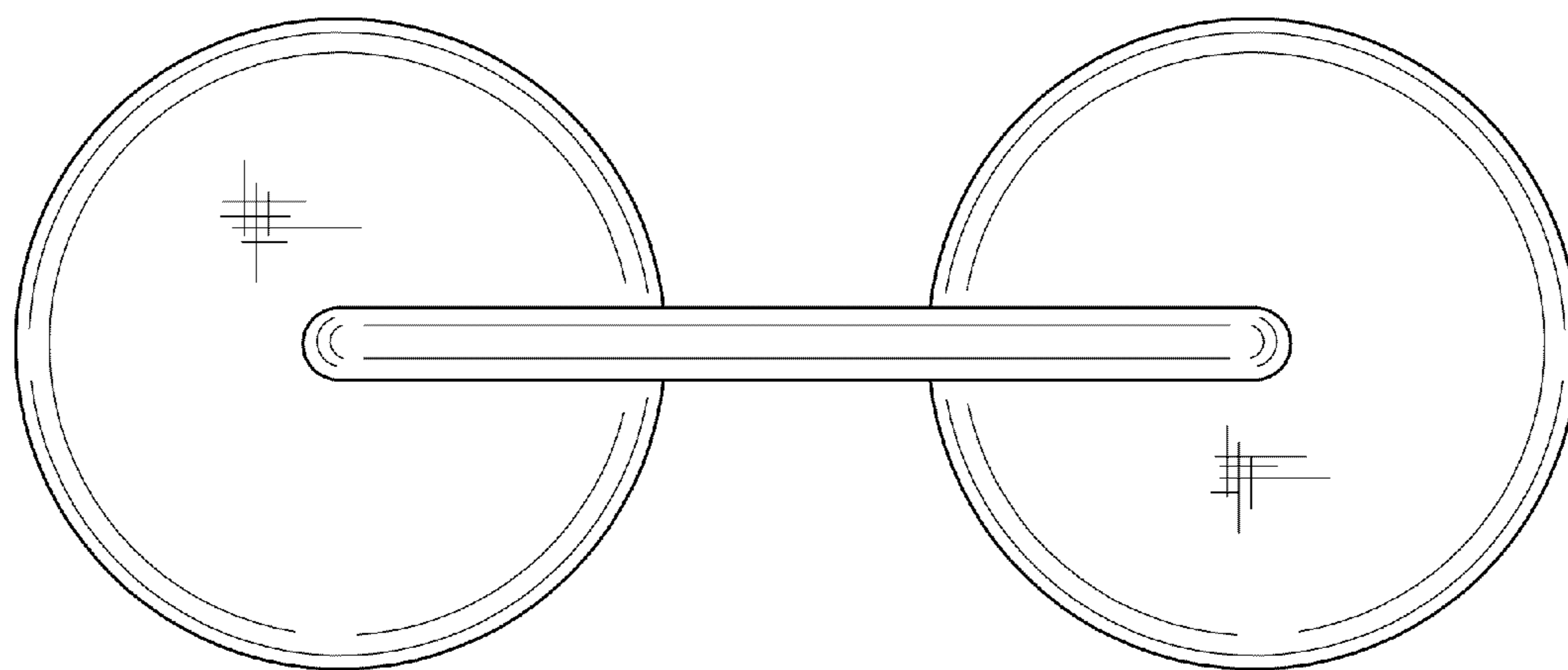


FIG. 4

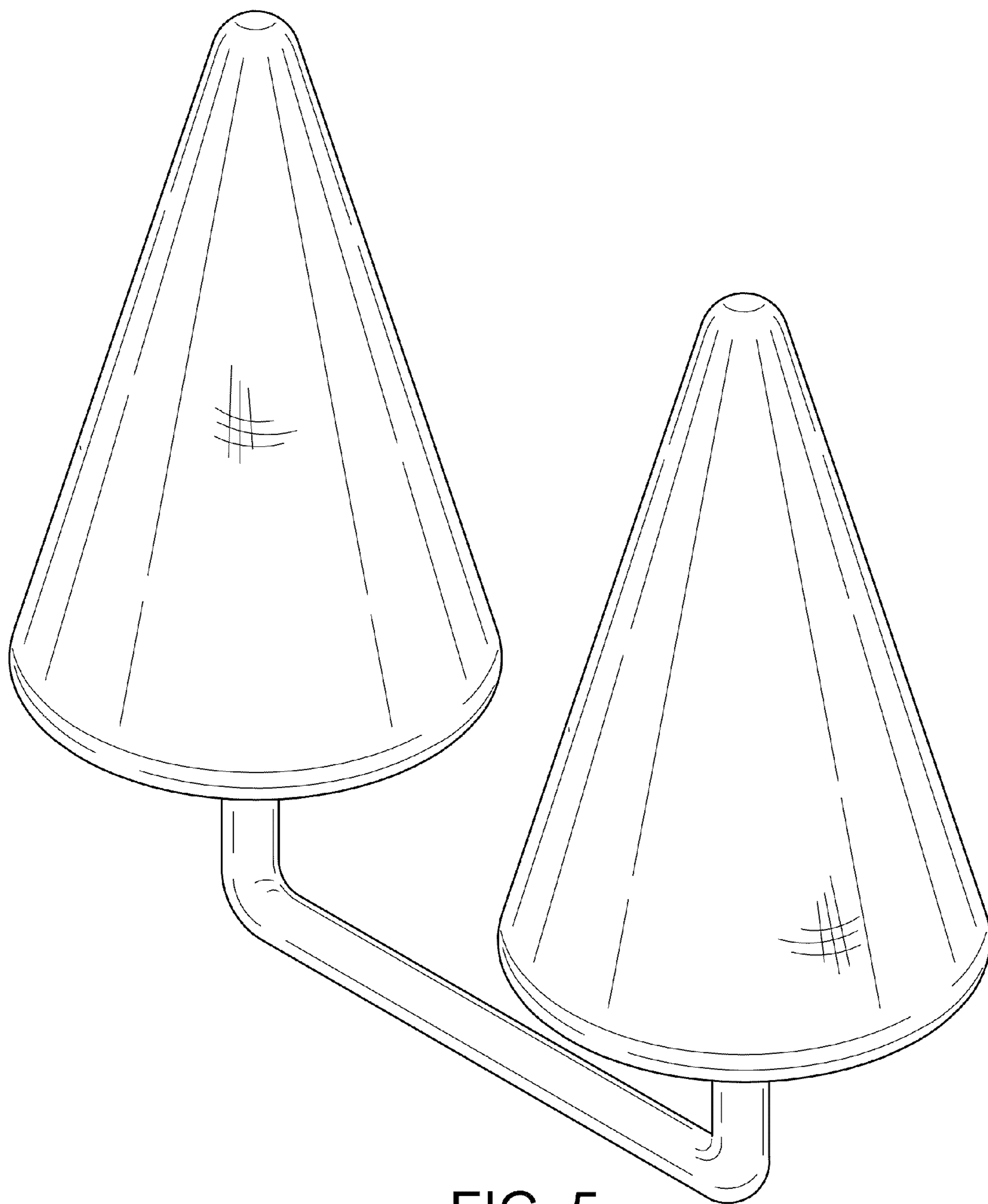


FIG. 5