



US00D760371S

(12) **United States Design Patent**
Spillman, Jr.

(10) **Patent No.:** **US D760,371 S**
(45) **Date of Patent:** **** Jun. 28, 2016**

- (54) **CLEANING DEVICE**
- (71) Applicant: **Ricky Spillman, Jr.**, Tempe, AZ (US)
- (72) Inventor: **Ricky Spillman, Jr.**, Tempe, AZ (US)
- (73) Assignee: **Ricky Spillman, Jr.**, Los Gatos, CA (US)
- (**) Term: **14 Years**
- (21) Appl. No.: **29/496,121**
- (22) Filed: **Jul. 9, 2014**
- (51) **LOC (10) Cl.** **23-99**
- (52) **U.S. Cl.**
USPC **D23/499**
- (58) **Field of Classification Search**
USPC D23/59, 370–385, 411–414, 499,
D23/355–366; 392/360–364; D32/50, 14.1;
15/21.2; D4/130, 133, 199; D21/795
CPC F04D 29/34; F04D 29/38; F04D 25/088
See application file for complete search history.

3,210,789 A *	10/1965	Garrett	A63B 47/04
				15/21.2
D216,832 S *	3/1970	Juarez	D21/795
3,981,039 A *	9/1976	Rumph	A63B 47/04
				15/21.2
D258,230 S *	2/1981	Duda	D21/795
D266,116 S *	9/1982	Deconinck	D4/127
4,442,564 A *	4/1984	Berry	A63B 47/04
				15/21.2
6,457,198 B1 *	10/2002	Jones	A63B 47/04
				15/21.2
D486,307 S *	2/2004	Rogers	D4/122
D521,097 S *	5/2006	Wilburn, Jr.	D21/795

* cited by examiner

Primary Examiner — Sandra Snapp
(74) *Attorney, Agent, or Firm* — Fish & Richardson P.C.

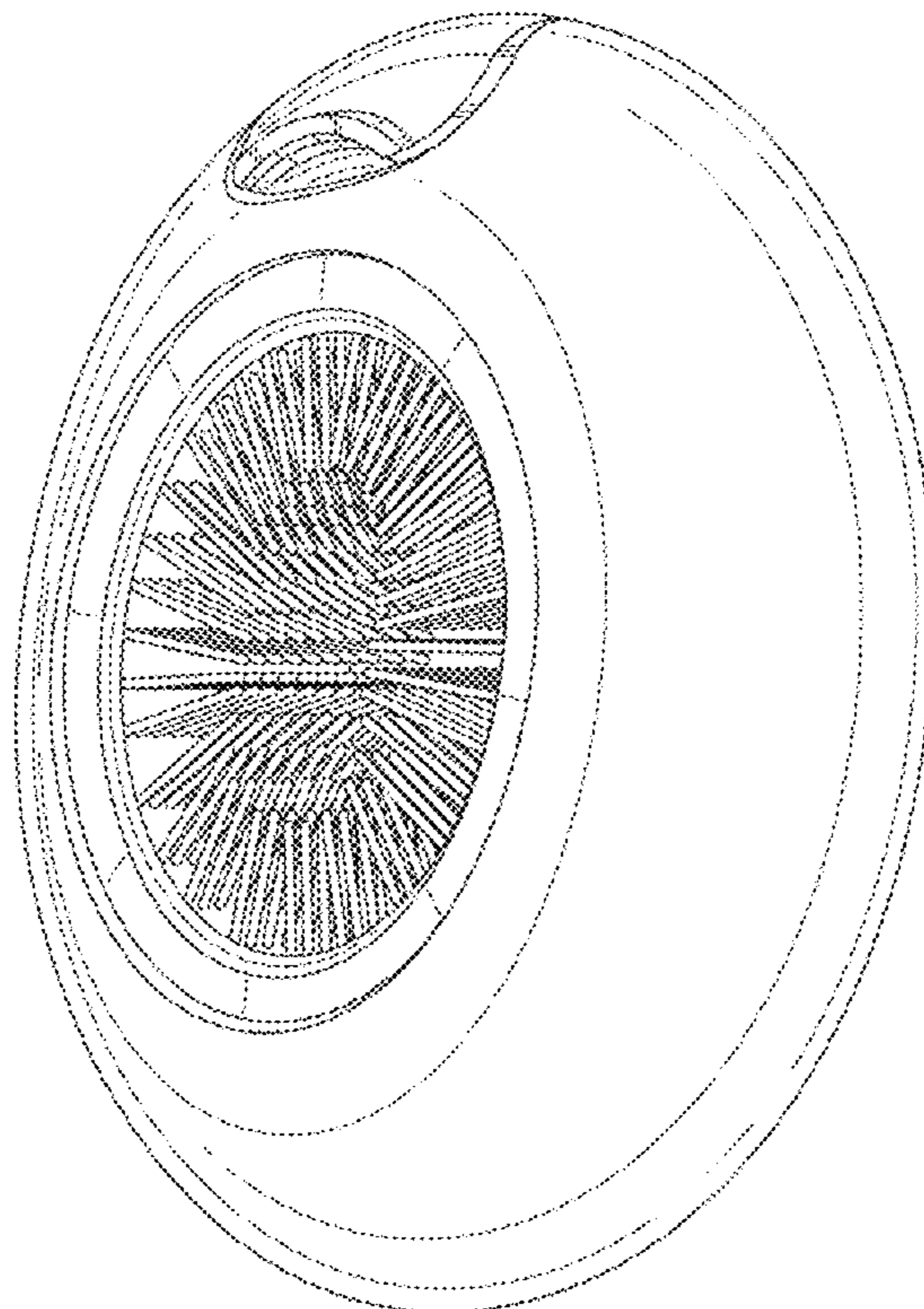
(57) **CLAIM**
The ornamental design for a cleaning device, as shown and described.

DESCRIPTION

FIG. 1 is a front perspective view of the cleaning device;
FIG. 2 is a front elevation view thereof;
FIG. 3 is a rear elevation view thereof;
FIG. 4 is a right side elevation view thereof;
FIG. 5 is a left side elevation view thereof;
FIG. 6 is a top plan view thereof; and,
FIG. 7 is a bottom plan view thereof.

1 Claim, 5 Drawing Sheets

- (56) **References Cited**
U.S. PATENT DOCUMENTS
2,540,687 A * 2/1951 Netterstrom A47L 15/00
15/21.2
2,744,274 A * 5/1956 Procario A63B 47/04
15/21.2



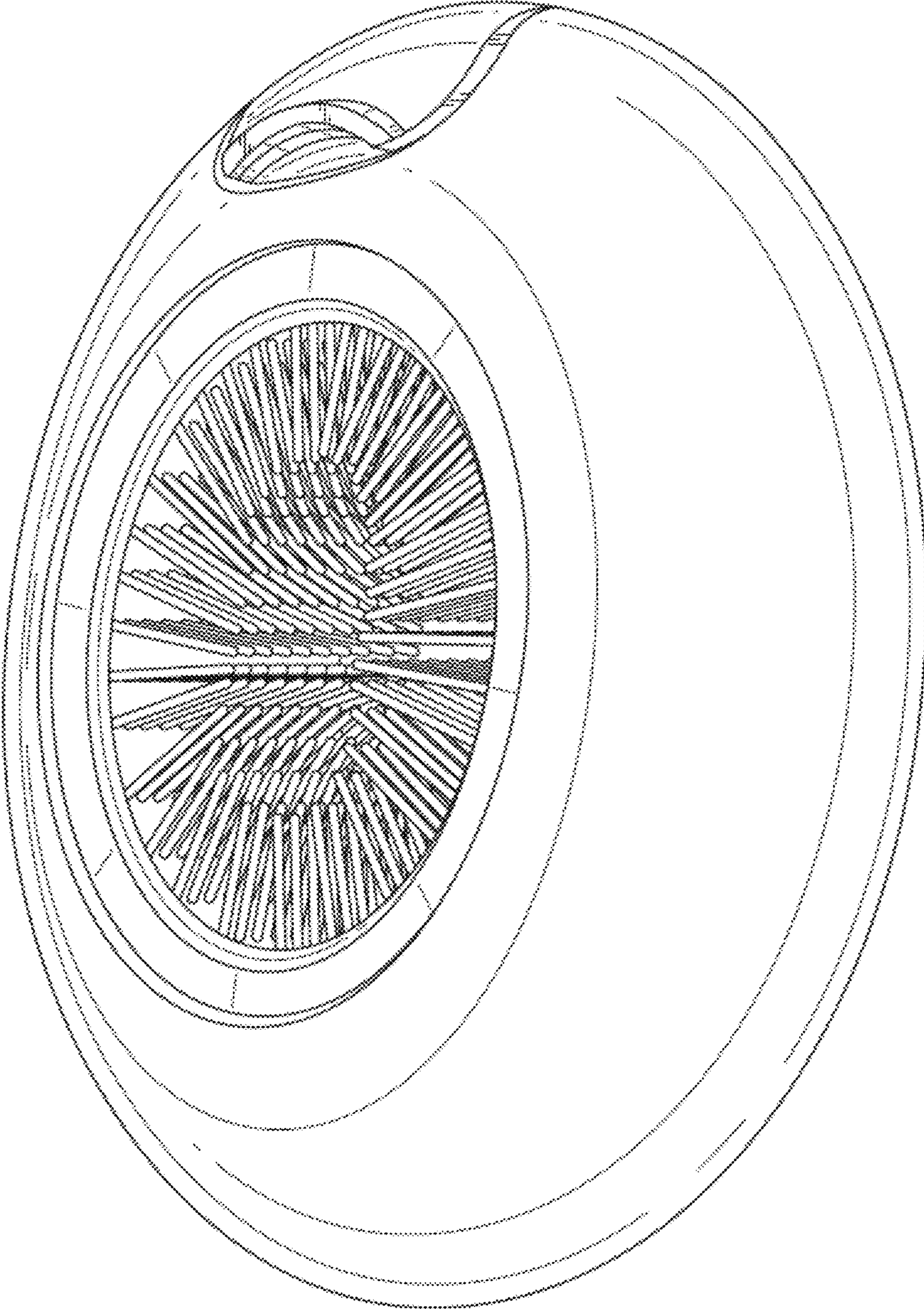


FIG. 1

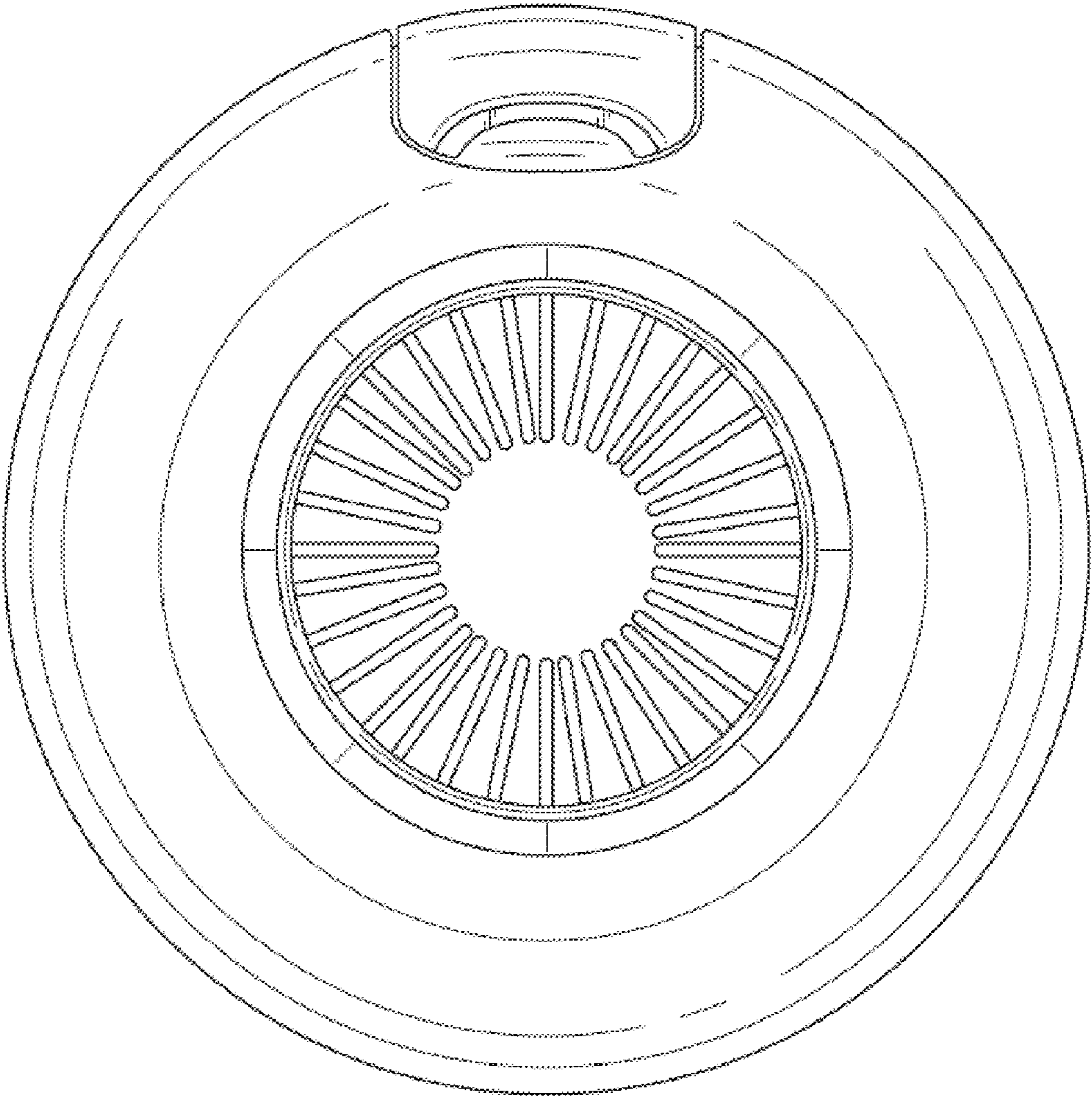


FIG. 2

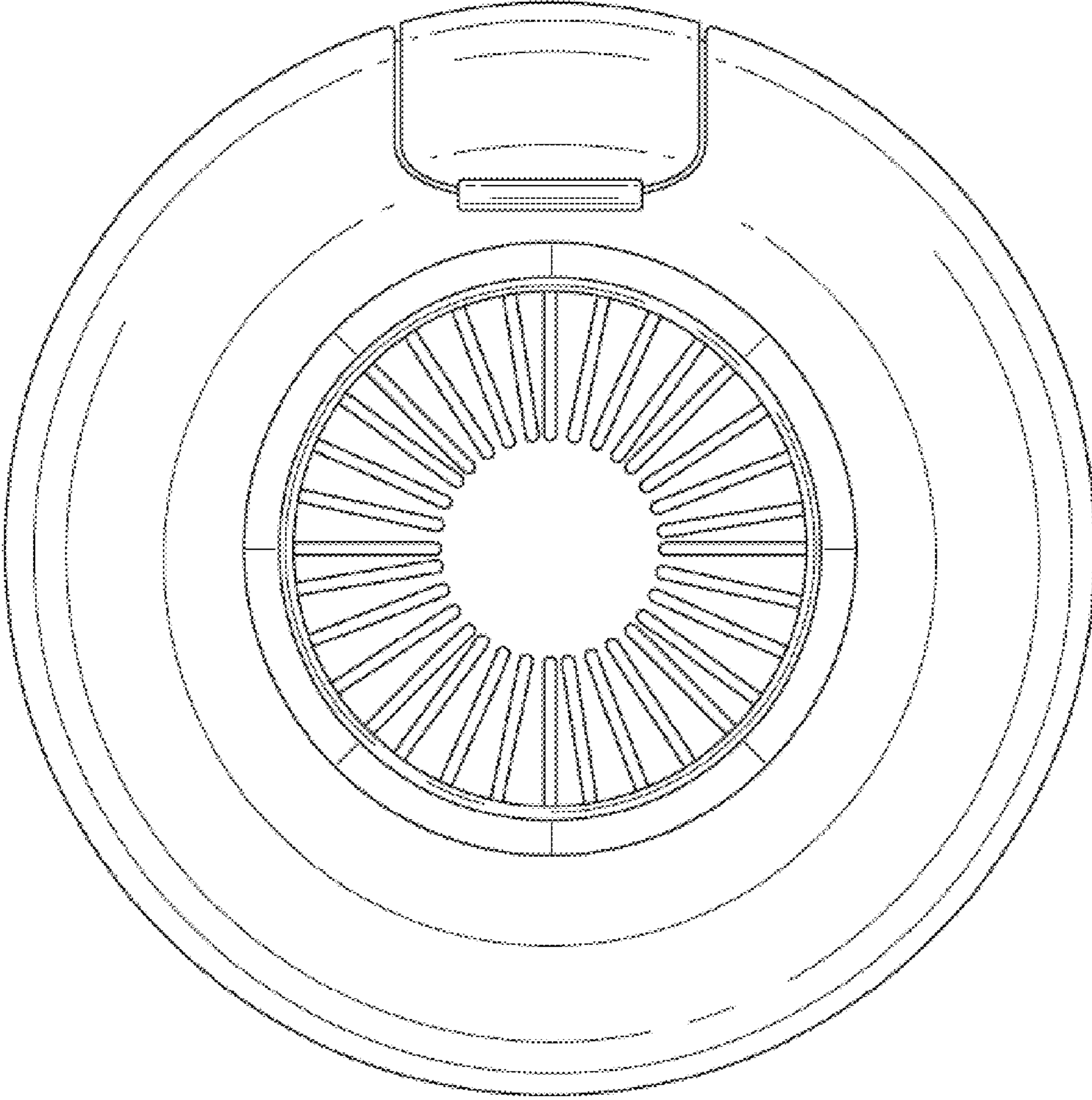


FIG. 3

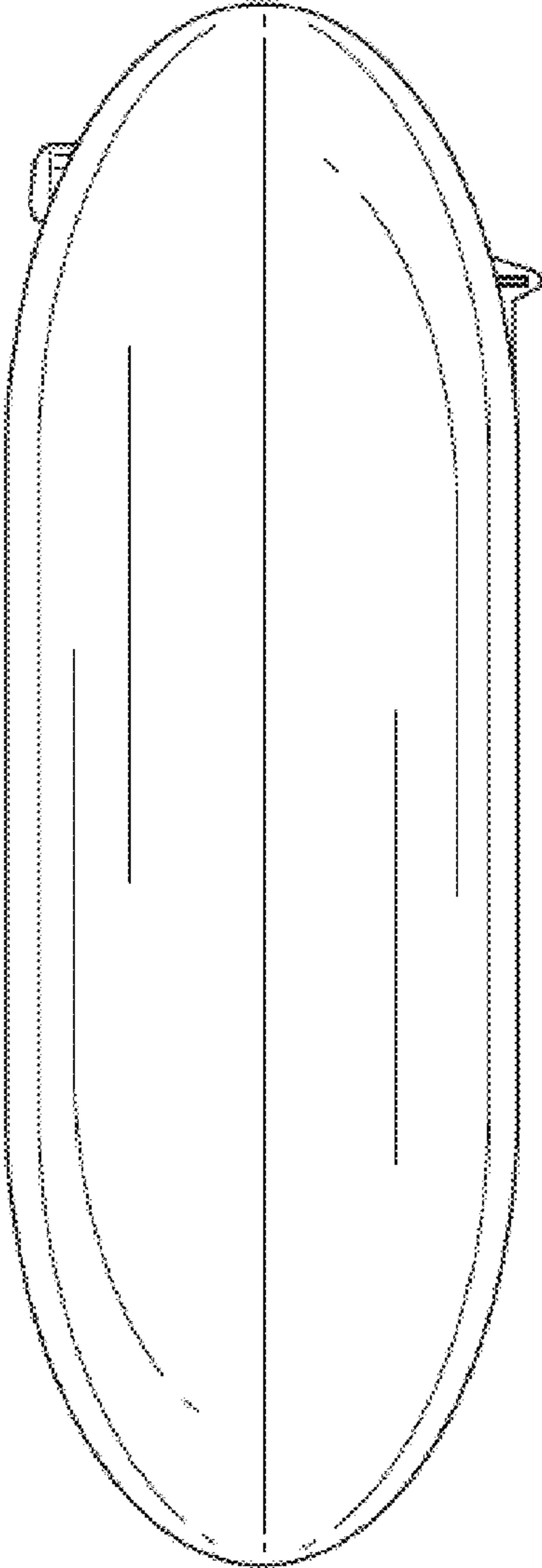


FIG. 4

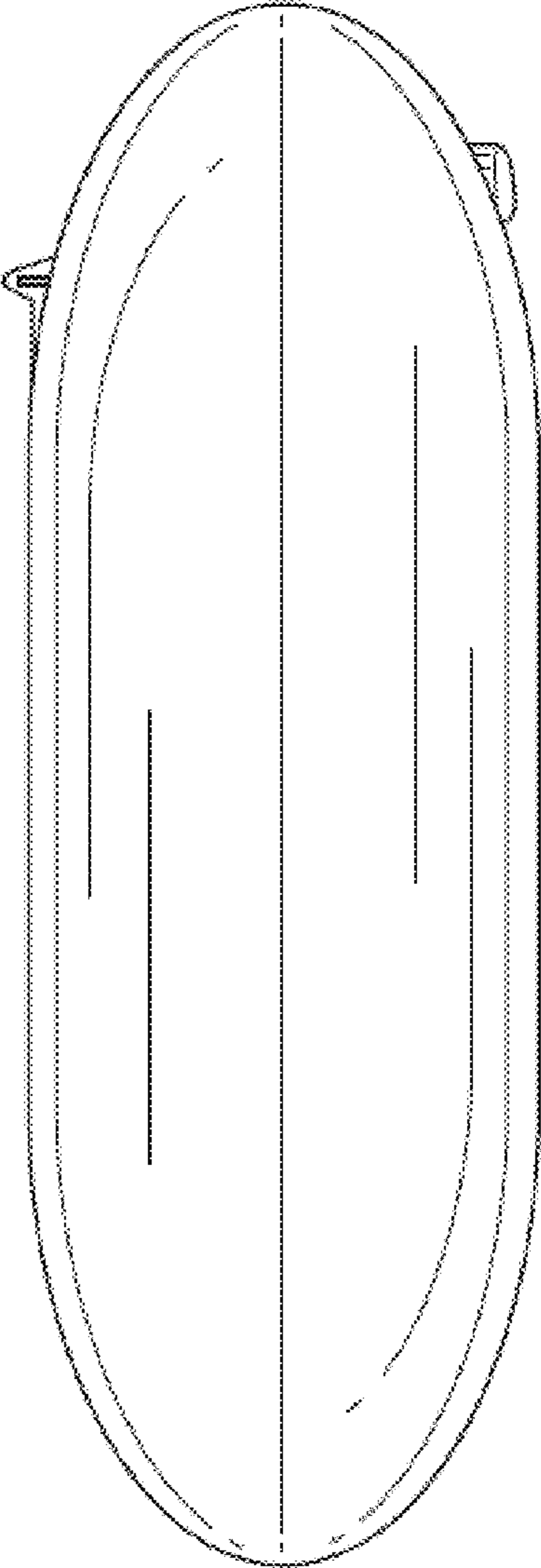


FIG. 5

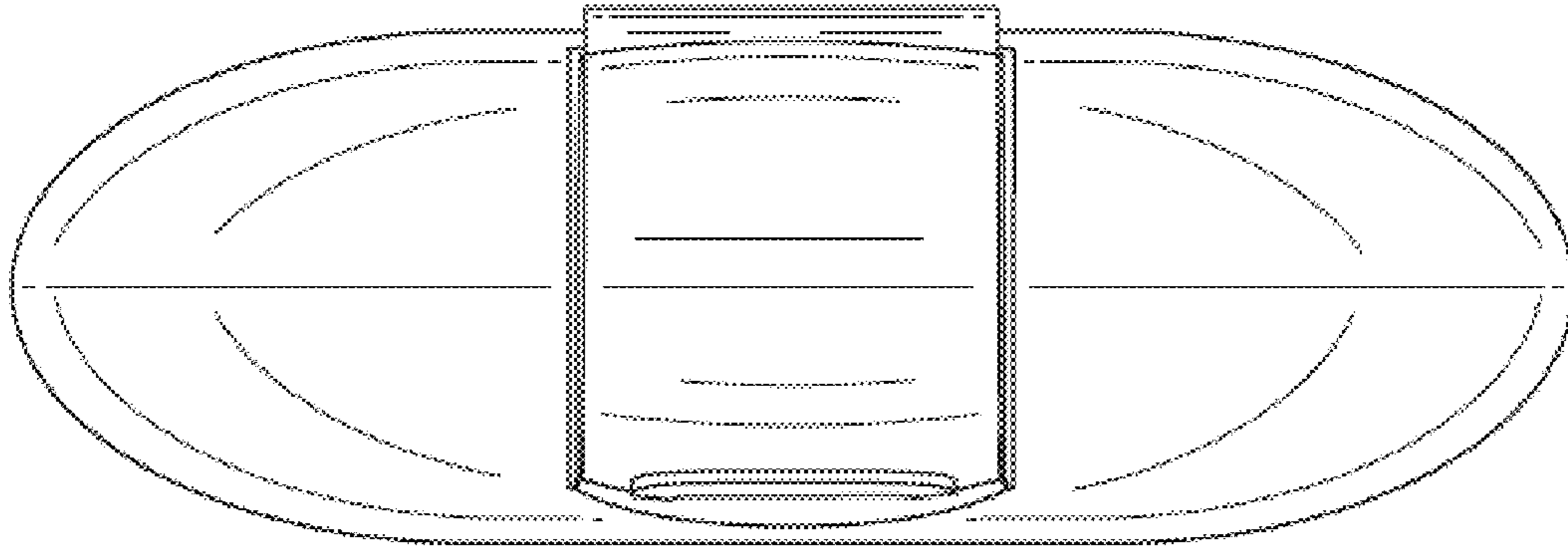


FIG. 6

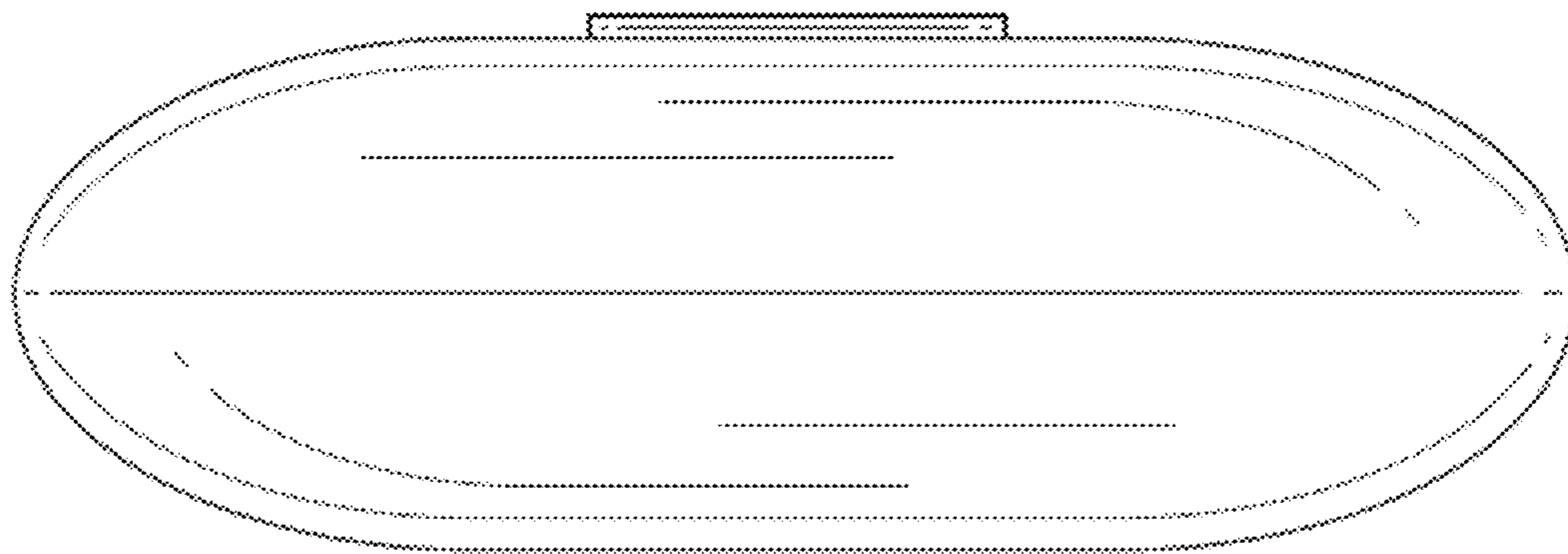


FIG. 7