



US00D760370S

(12) **United States Design Patent**  
**Herbst**

(10) **Patent No.:** **US D760,370 S**  
(45) **Date of Patent:** **\*\* Jun. 28, 2016**

(54) **FAN ENCLOSURE WITH SPIRAL GRILLES**

(71) Applicant: **Scot Herbst**, Santa Cruz, CA (US)

(72) Inventor: **Scot Herbst**, Santa Cruz, CA (US)

(73) Assignee: **O2COOL, LLC**, Chicago, IL (US)

(\*\*) Term: **14 Years**

(21) Appl. No.: **29/507,366**

(22) Filed: **Oct. 27, 2014**

(51) **LOC (10) Cl.** ..... **23-04**

(52) **U.S. Cl.**  
USPC ..... **D23/411; D23/370; D23/382**

(58) **Field of Classification Search**

USPC ..... D23/370–373, 376, 377, 379, 381–385,  
D23/388, 411–414, 324, 330, 332, 335,  
D23/353–355, 499; D21/455, 458; 392/365,  
392/367; 415/1, 127, 179, 182.1, 223;  
416/62, 93 R, 100, 180, 182, 189, 190,  
416/204 R, 219 R, 220 R, 244 R, 246, 247 R,  
416/223 R; D13/175, 179; 310/67 R;  
417/369, 423.7

CPC ... F04D 29/325; F04D 29/326; F04D 29/329;  
F04D 29/384; F04D 29/386; F04D 29/28;  
F04D 29/281; F04D 29/284; F04D 29/663;  
F04D 29/646; F04D 29/701; F04D 29/703;  
F04D 29/526; F04D 29/547; F04D 25/08;  
F04D 25/082; F04D 25/084; F04D 25/068

See application file for complete search history.

(56) **References Cited**

**U.S. PATENT DOCUMENTS**

D104,096 S \* 4/1937 Friedman ..... D23/370  
2,100,439 A \* 11/1937 Friedman ..... F04D 29/526  
248/638  
D324,907 S \* 3/1992 Cook ..... D23/328  
D326,318 S \* 5/1992 Coup ..... D23/335  
5,304,040 A \* 4/1994 Wang ..... F04D 29/646  
248/188.2

D349,570 S \* 8/1994 Radtke, Jr. .... D23/381  
D384,733 S \* 10/1997 Jane ..... D23/328  
D387,422 S \* 12/1997 Radtke ..... D23/328  
D400,242 S \* 10/1998 Litvin ..... D23/381  
D405,520 S \* 2/1999 Birdsell ..... D23/381  
D440,883 S \* 4/2001 Wilson, Jr. .... D10/2  
D444,871 S \* 7/2001 Wilson, Jr. .... D23/382  
D447,552 S \* 9/2001 Lee ..... D23/382  
D451,594 S \* 12/2001 Chen ..... D23/412  
D459,460 S \* 6/2002 Melwani ..... D23/370  
D465,543 S \* 11/2002 Bertani ..... D22/123  
D546,436 S \* 7/2007 Chen ..... D23/382  
D546,933 S \* 7/2007 Chen ..... D23/382  
D565,721 S \* 4/2008 Chen ..... D23/382  
D597,195 S \* 7/2009 Zhuang ..... D23/411  
D610,672 S \* 2/2010 Xiao ..... D23/382  
D684,680 S 6/2013 Herbst  
D684,681 S 6/2013 Herbst

(Continued)

*Primary Examiner* — Susan Bennett Hattan

*Assistant Examiner* — Marie Fast Horse

(74) *Attorney, Agent, or Firm* — Thompson Coburn LLP

(57) **CLAIM**

I claim the ornamental design for a the fan enclosure with spiral grilles, as shown and described.

**DESCRIPTION**

FIG. 1 is a front perspective view taken from the right top front corner of the fan enclosure with spiral grilles showing our new design;

FIG. 2 is a rear perspective view of fan enclosure with spiral grilles;

FIG. 3 is a front view thereof;

FIG. 4 is a rear view thereof;

FIG. 5 is a right side view thereof;

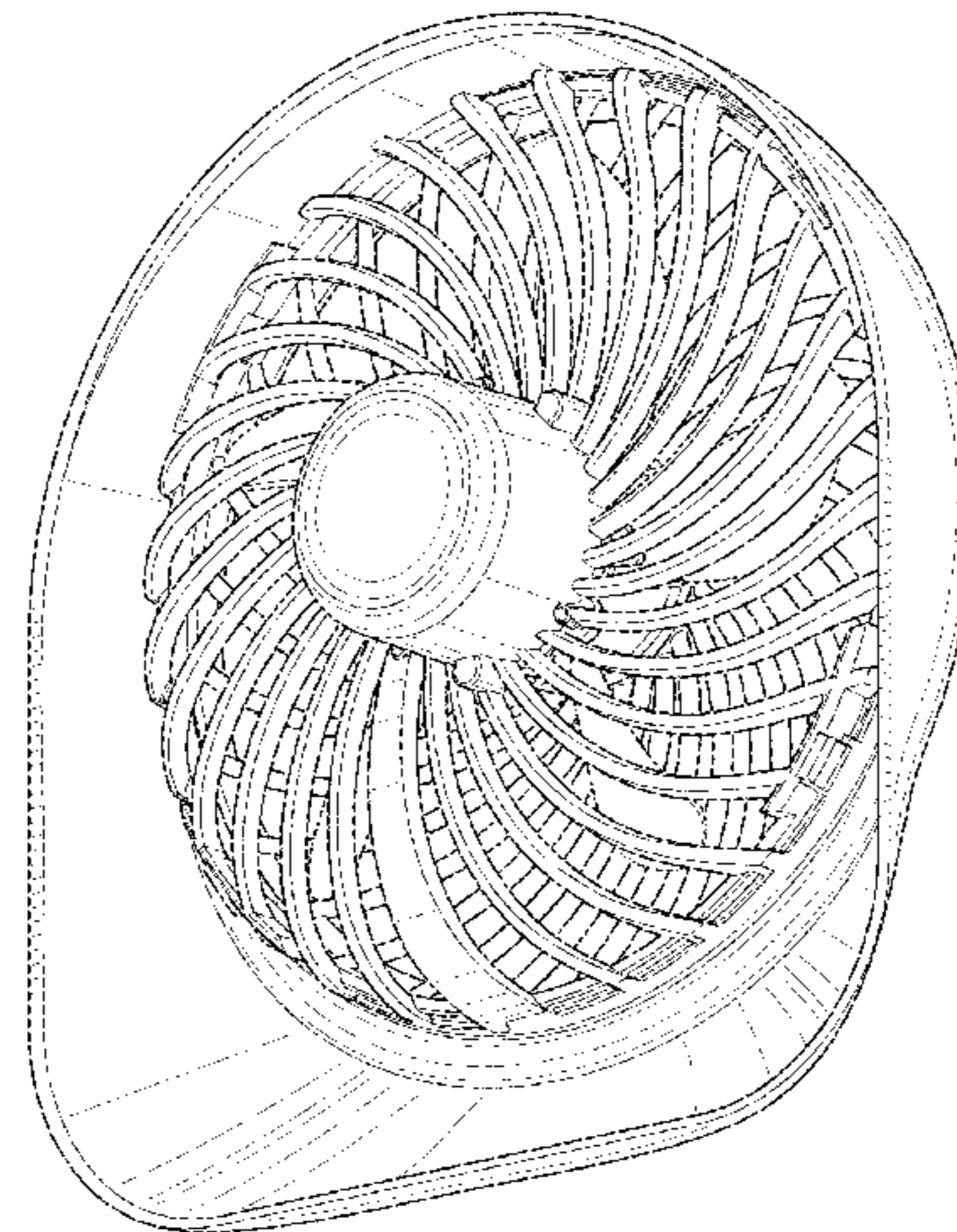
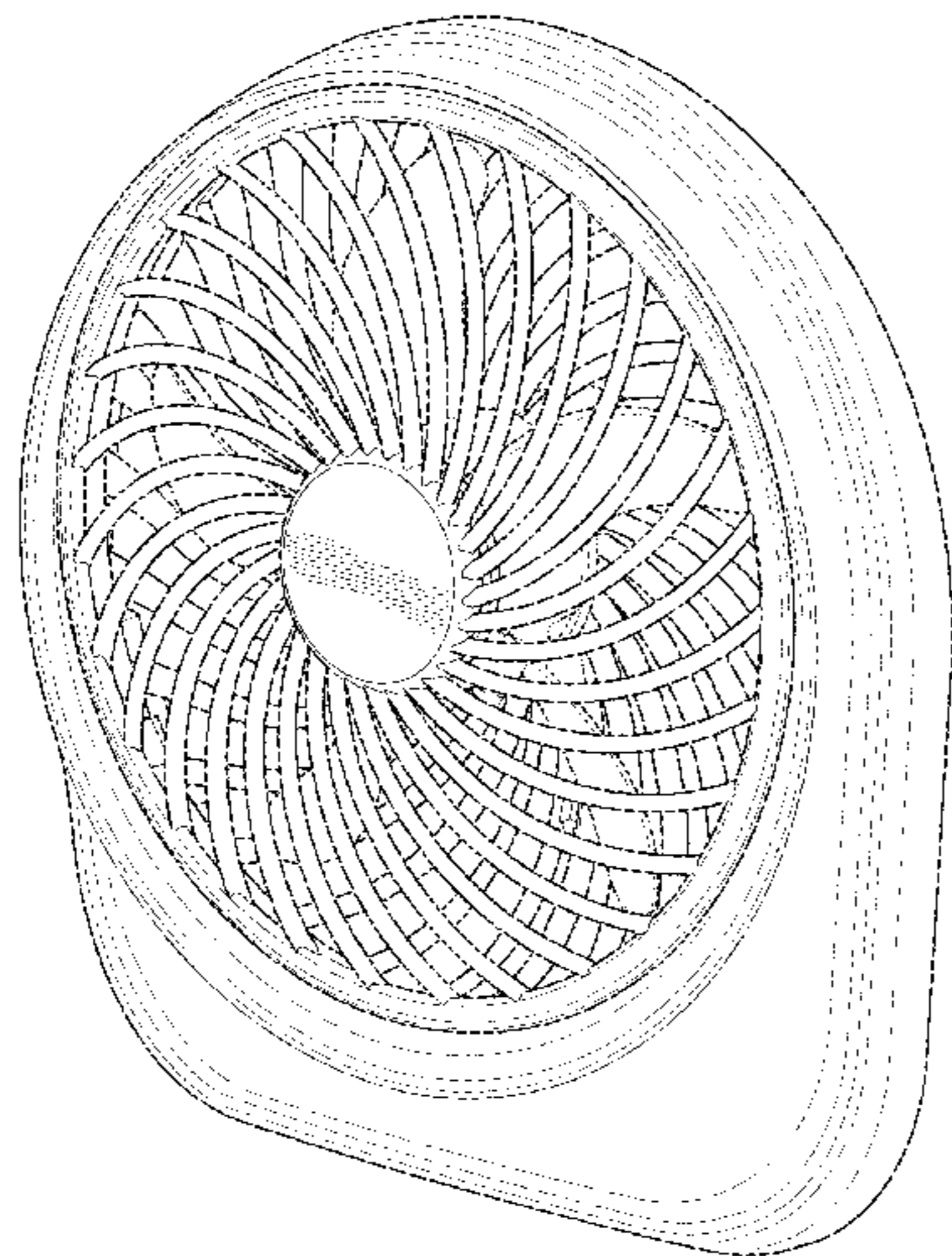
FIG. 6 is a left side view thereof;

FIG. 7 is a top plan view thereof; and,

FIG. 8 is a bottom view thereof.

The broken lines in the drawings depict environmental subject matter only and form no part of the claimed design.

**1 Claim, 7 Drawing Sheets**



# US D760,370 S

Page 2

---

(56)

## References Cited

### U.S. PATENT DOCUMENTS

D685,079 S *	6/2013	Herbst	.....	D23/382	2013/0052000 A1*	2/2013	Su	.....	F04D 29/703 415/200
D689,600 S *	9/2013	Herbst	.....	D23/382	2013/0108481 A1*	5/2013	Hoye	.....	F04D 25/084 417/234
2011/0223016 A1*	9/2011	Ediger	.....	F04D 25/08 415/213.1					

\* cited by examiner



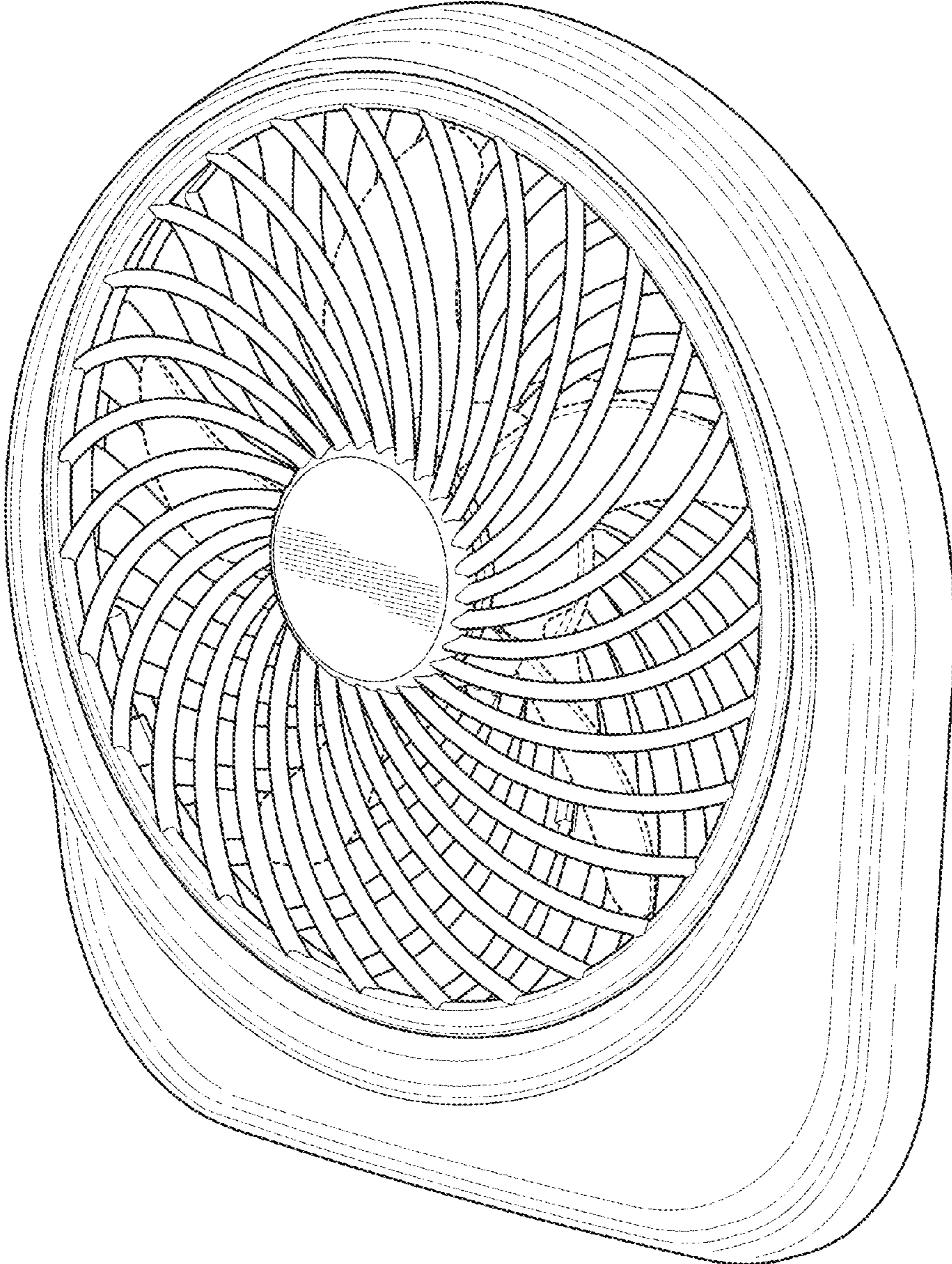


FIG. 1

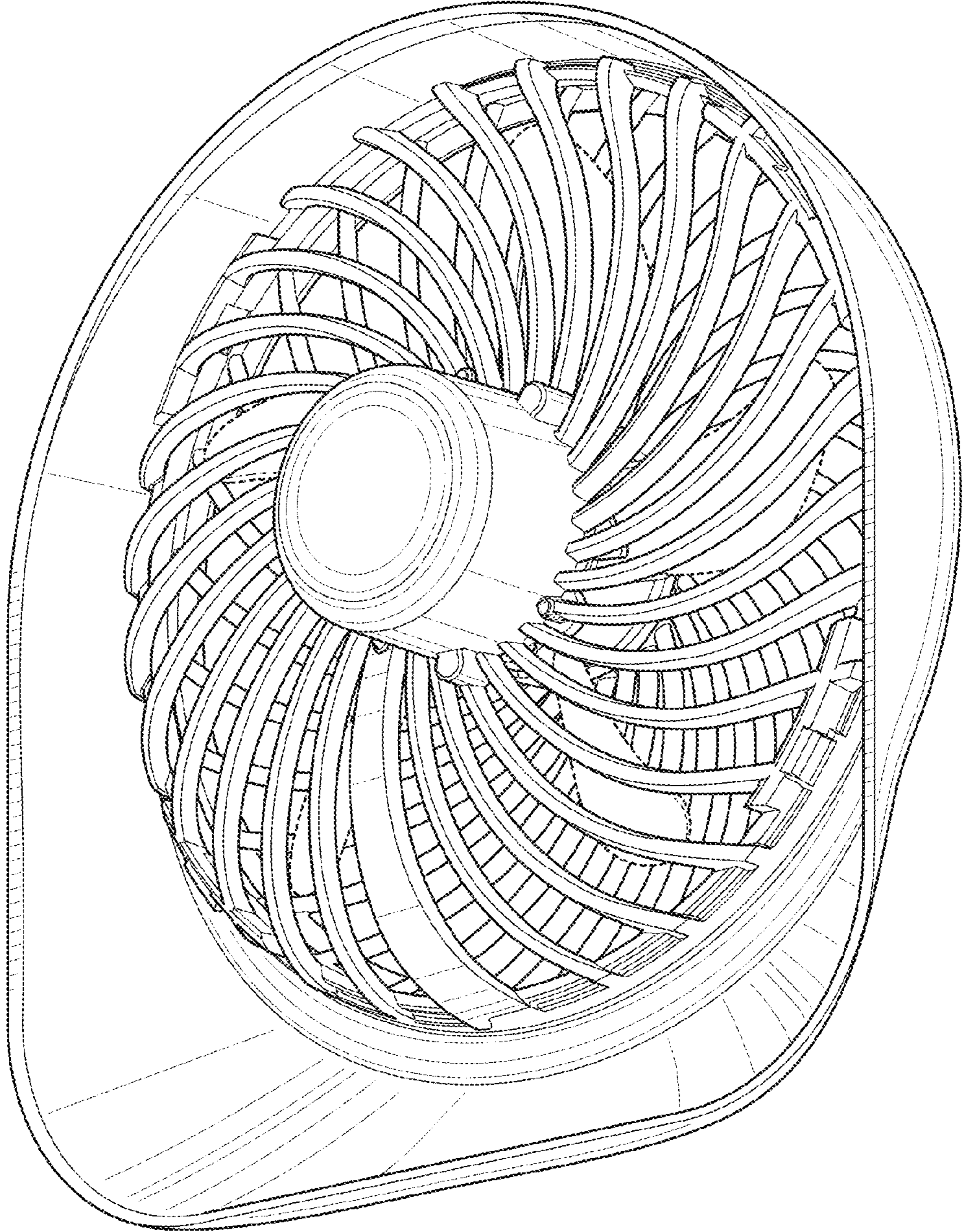


FIG. 2



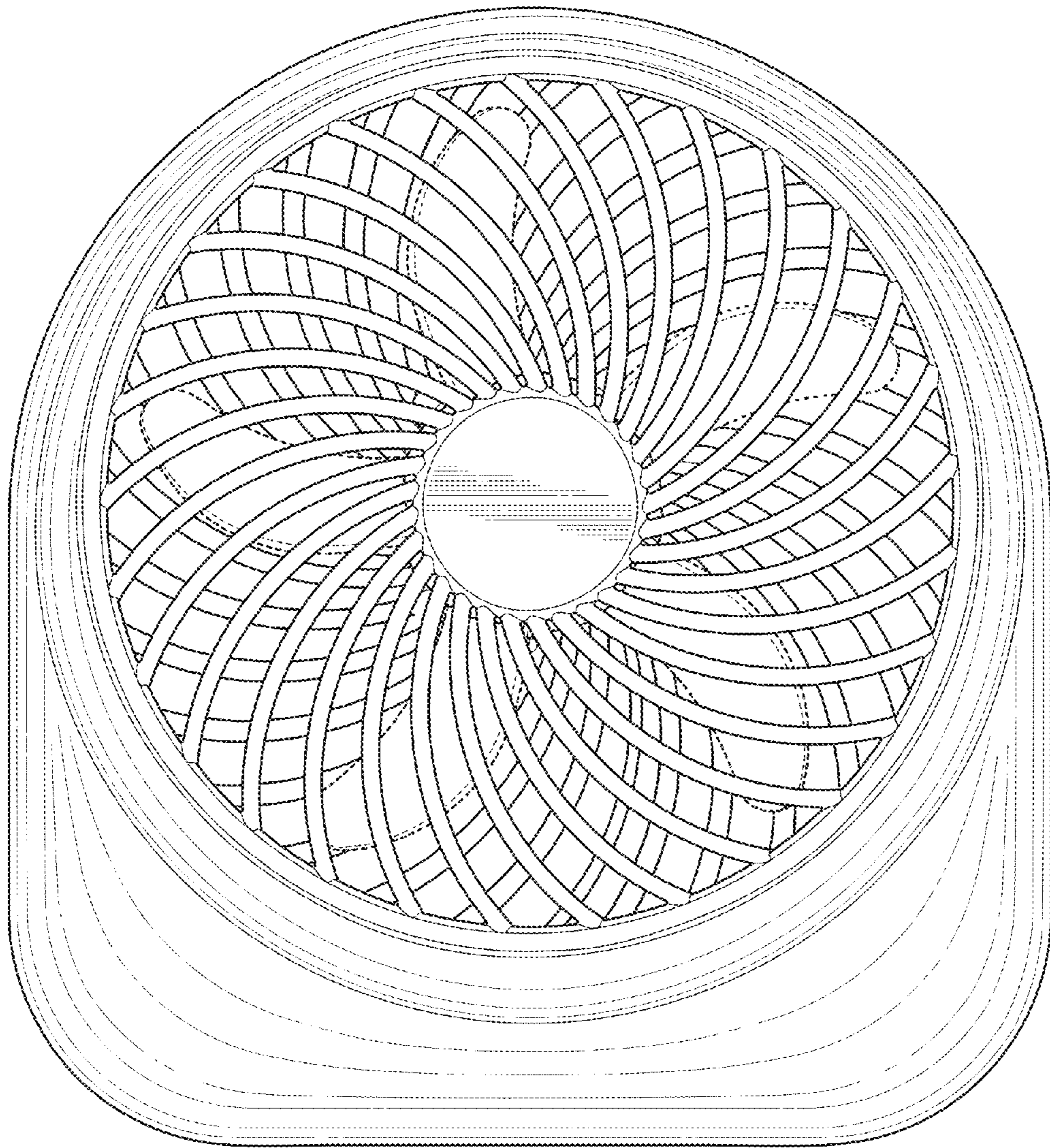


FIG. 3



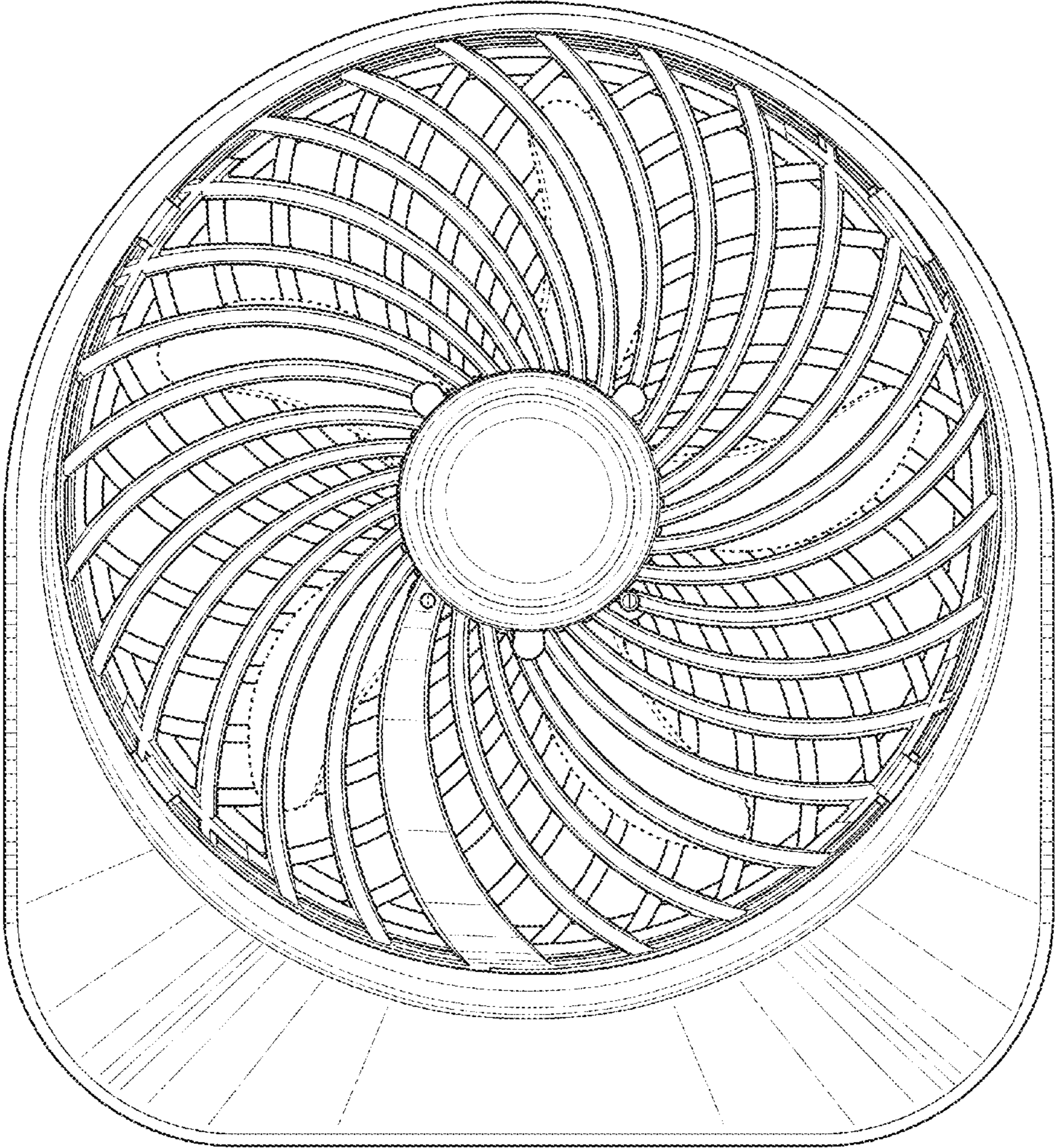


FIG. 4

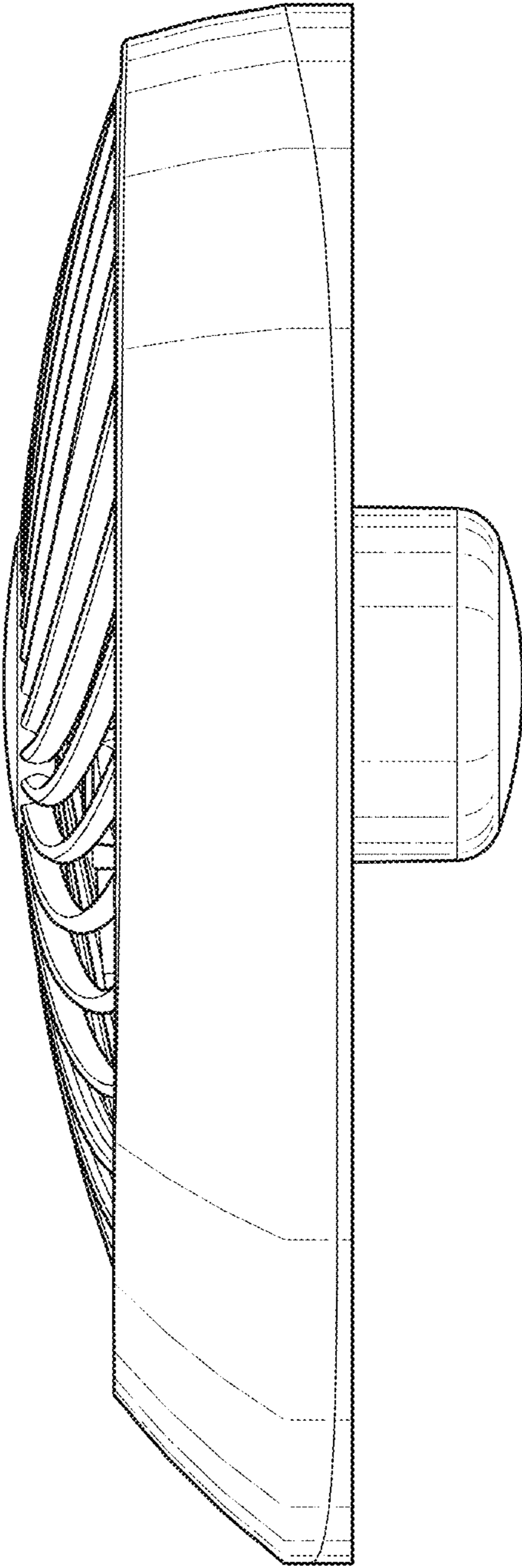


FIG. 5

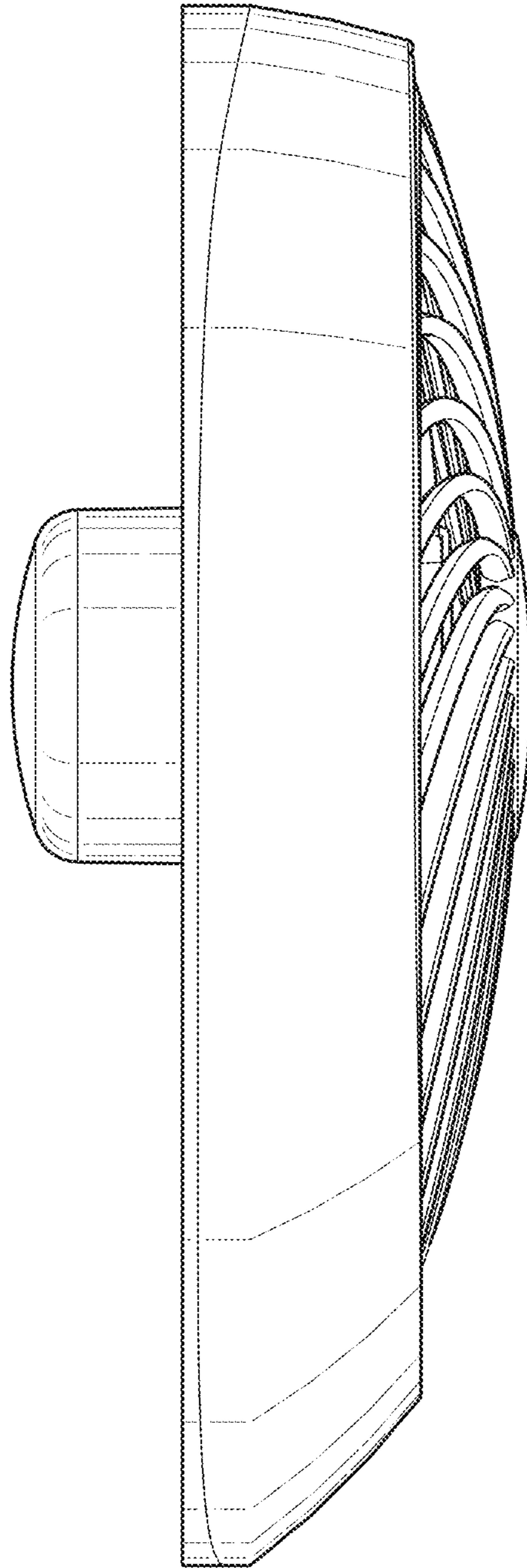


FIG. 6



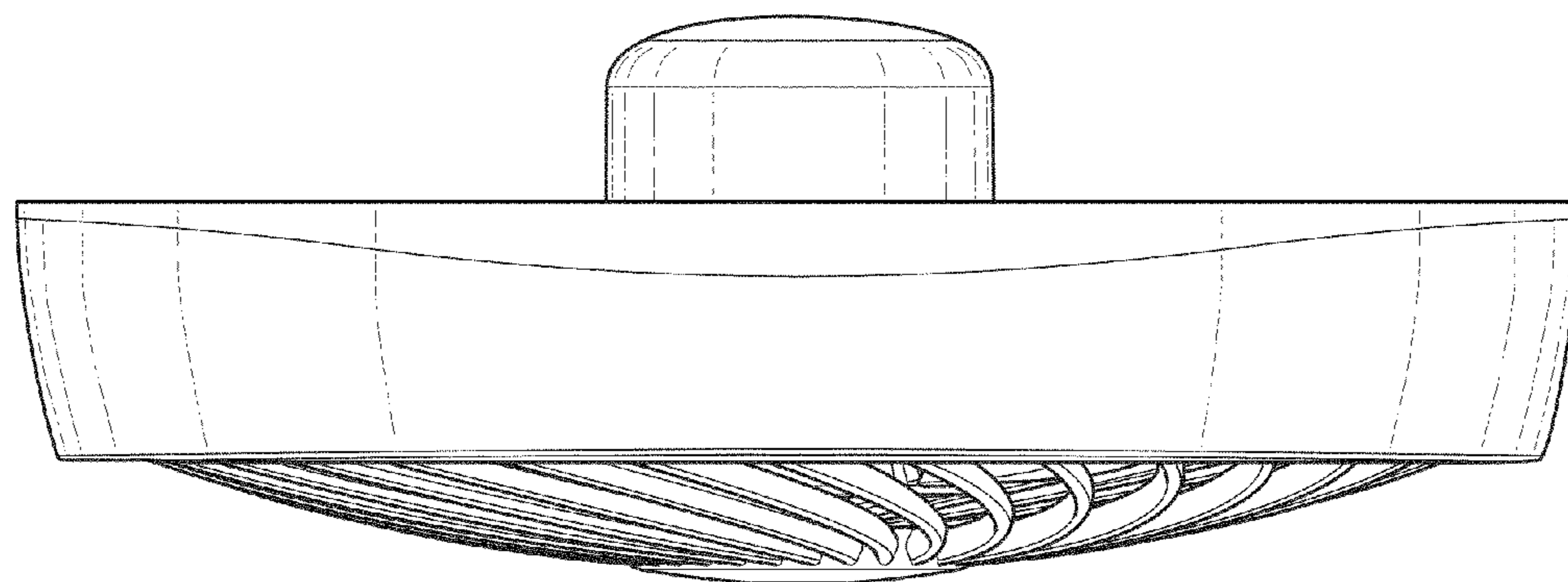


FIG. 7

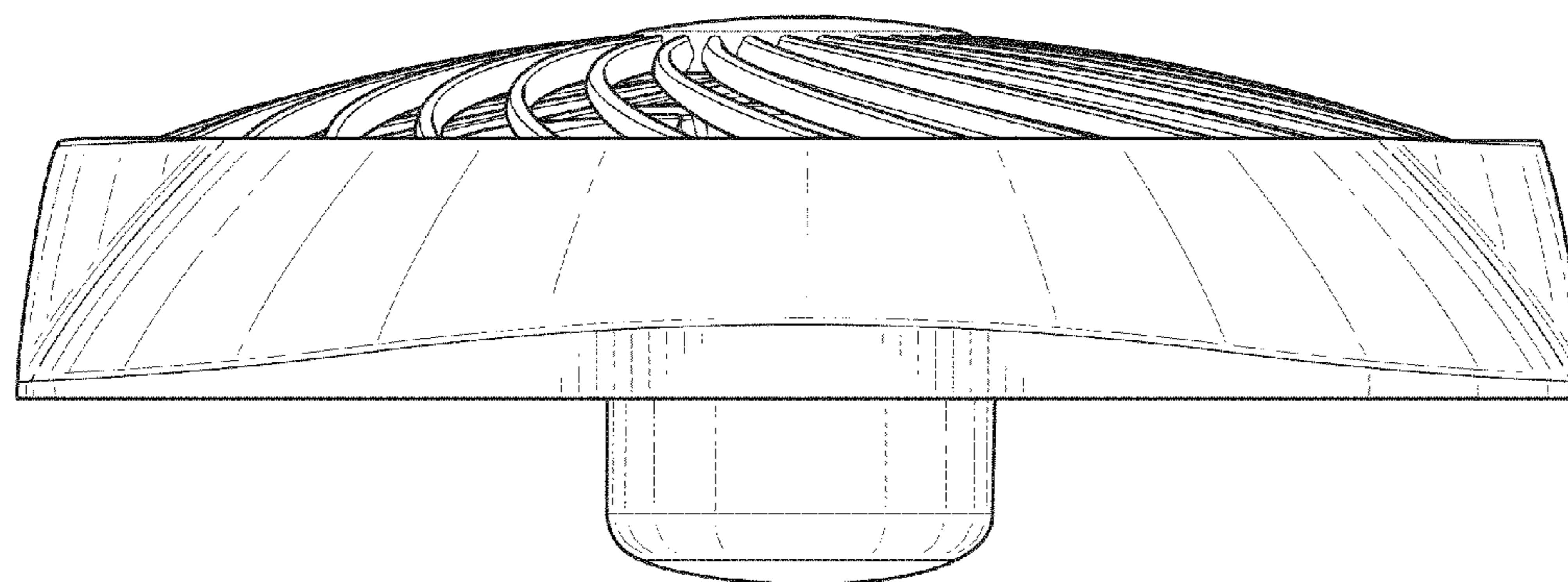


FIG. 8