



US00D760368S

(12) **United States Design Patent**
Chen

(10) **Patent No.:** **US D760,368 S**
(45) **Date of Patent:** **** Jun. 28, 2016**

- (54) **CEILING FAN WITH LIGHT**
- (71) Applicant: **Chia-Teh Chen**, Taipei (TW)
- (72) Inventor: **Chia-Teh Chen**, Taipei (TW)
- (**) Term: **14 Years**
- (21) Appl. No.: **29/506,717**
- (22) Filed: **Oct. 20, 2014**
- (51) **LOC (10) Cl.** **23-04**
- (52) **U.S. Cl.**
USPC **D23/377; D26/59**
- (58) **Field of Classification Search**
USPC **D23/370, 375, 376, 377, 379, 411, 413;**
D26/59
CPC **F04D 25/088; F21V 33/0096**
See application file for complete search history.

- D598,533 S * 8/2009 Smith D23/377
- D599,460 S * 9/2009 Yang D23/377
- D607,096 S * 12/2009 Searle D23/377
- D671,202 S * 11/2012 Searle D23/377
- 2009/0238690 A1* 9/2009 Lai F04D 25/105
416/100
- 2011/0052411 A1* 3/2011 Yamamoto F04D 25/08
416/244 R

* cited by examiner

Primary Examiner — Susan Bennett Hattan
Assistant Examiner — Janice Hallmark
(74) *Attorney, Agent, or Firm* — Li & Cai Intellectual Property (USA) Office

(57) **CLAIM**
The ornamental design for a “ceiling fan with light,” as shown and described.

DESCRIPTION

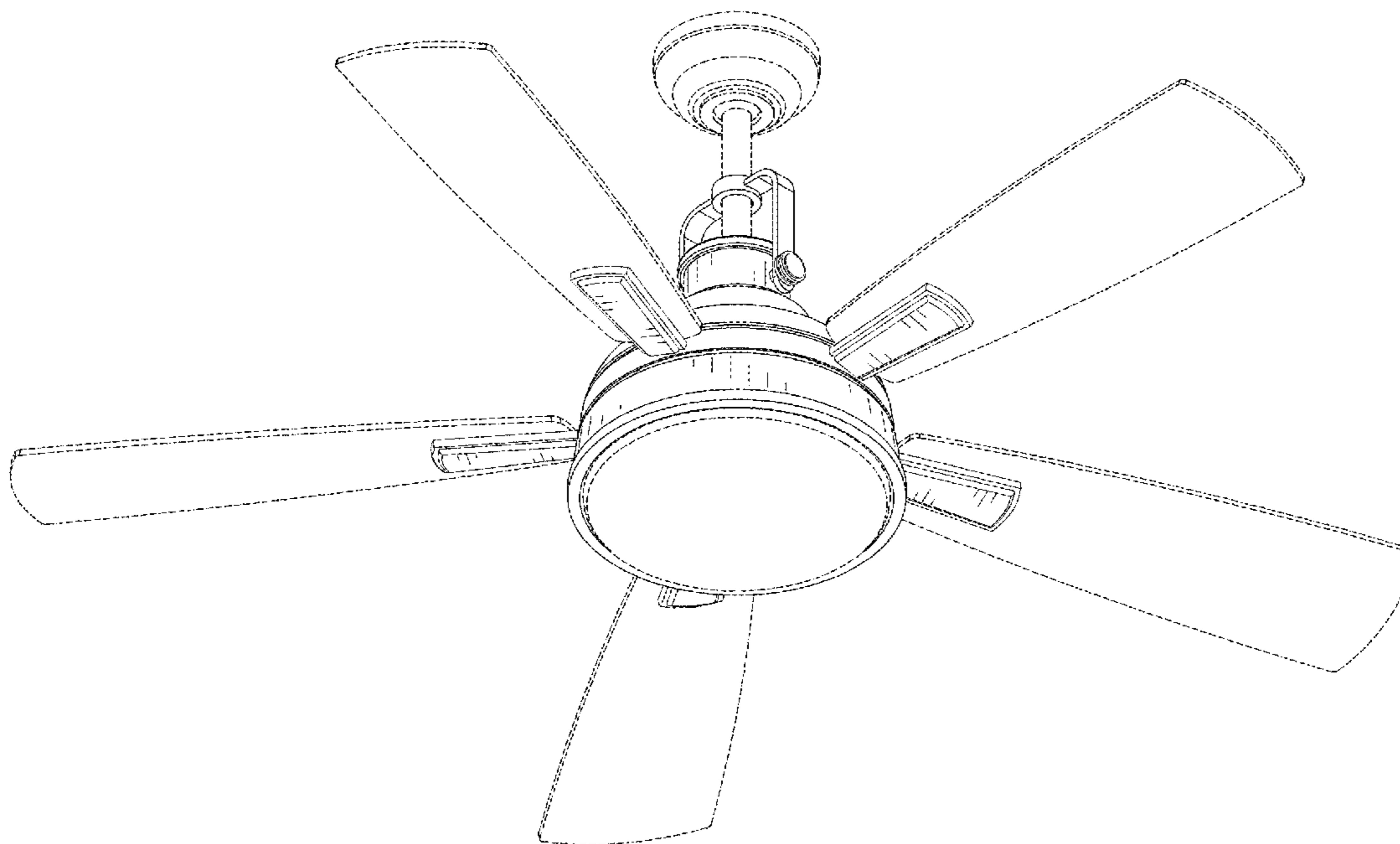
FIG. 1 is a perspective view of a ceiling fan with light showing our new design;
FIG. 2 is a front view thereof;
FIG. 3 is a rear view thereof;
FIG. 4 is a left side view thereof;
FIG. 5 is a right side view thereof;
FIG. 6 is a top view thereof; and,
FIG. 7 is a bottom view thereof.
The broken lines depict portions of the ceiling fan with light which form no part of the claimed design.

1 Claim, 5 Drawing Sheets

(56) **References Cited**

U.S. PATENT DOCUMENTS

- 5,151,011 A * 9/1992 Rezek F21V 33/0096
416/5
- D507,826 S * 7/2005 Young D23/377
- D512,139 S * 11/2005 Hidalgo D23/377
- D527,090 S * 8/2006 Pan D23/377
- D566,259 S * 4/2008 Bucher D23/377
- D573,243 S * 7/2008 Pan D23/377
- D593,194 S * 5/2009 Pan D23/377



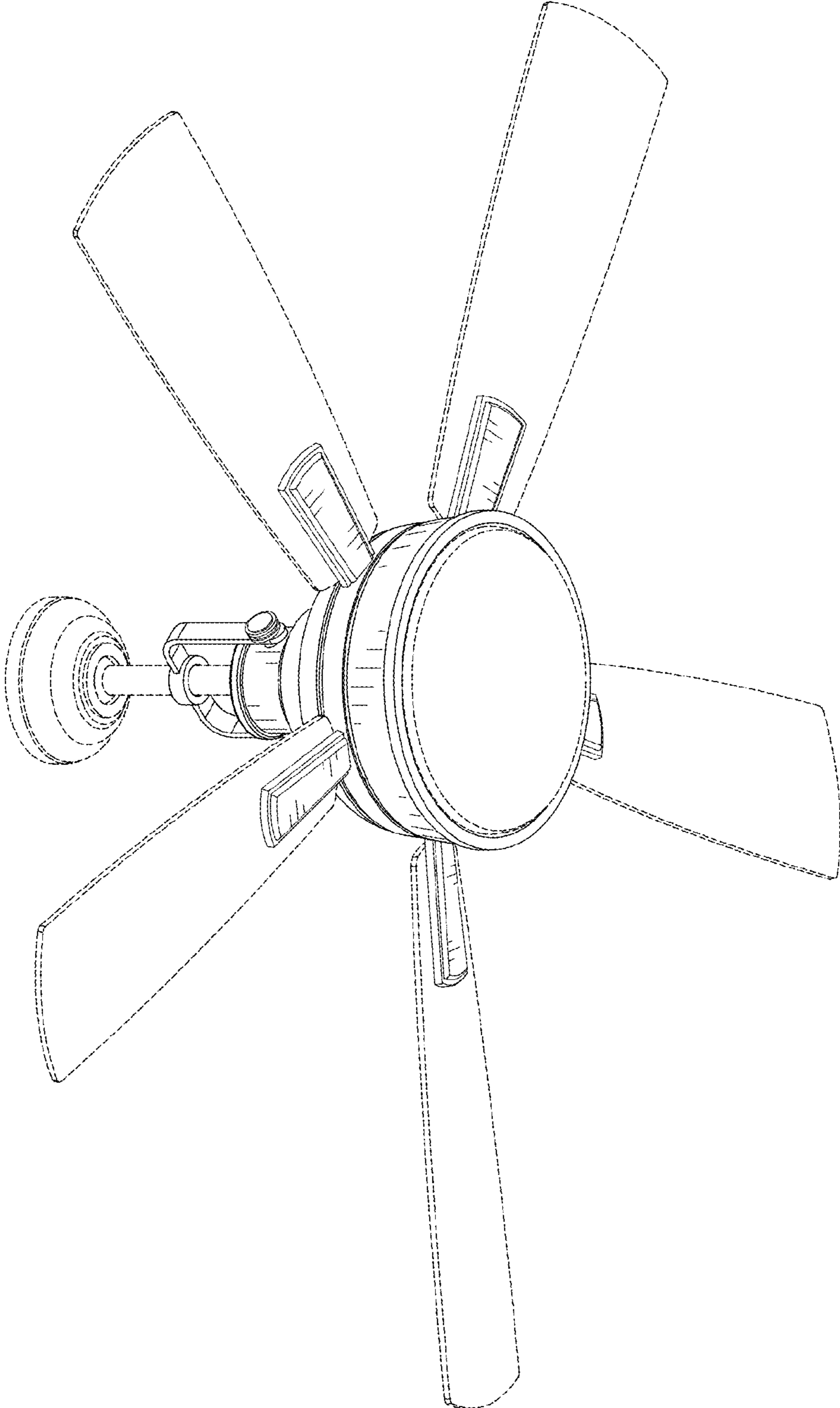


FIG.1

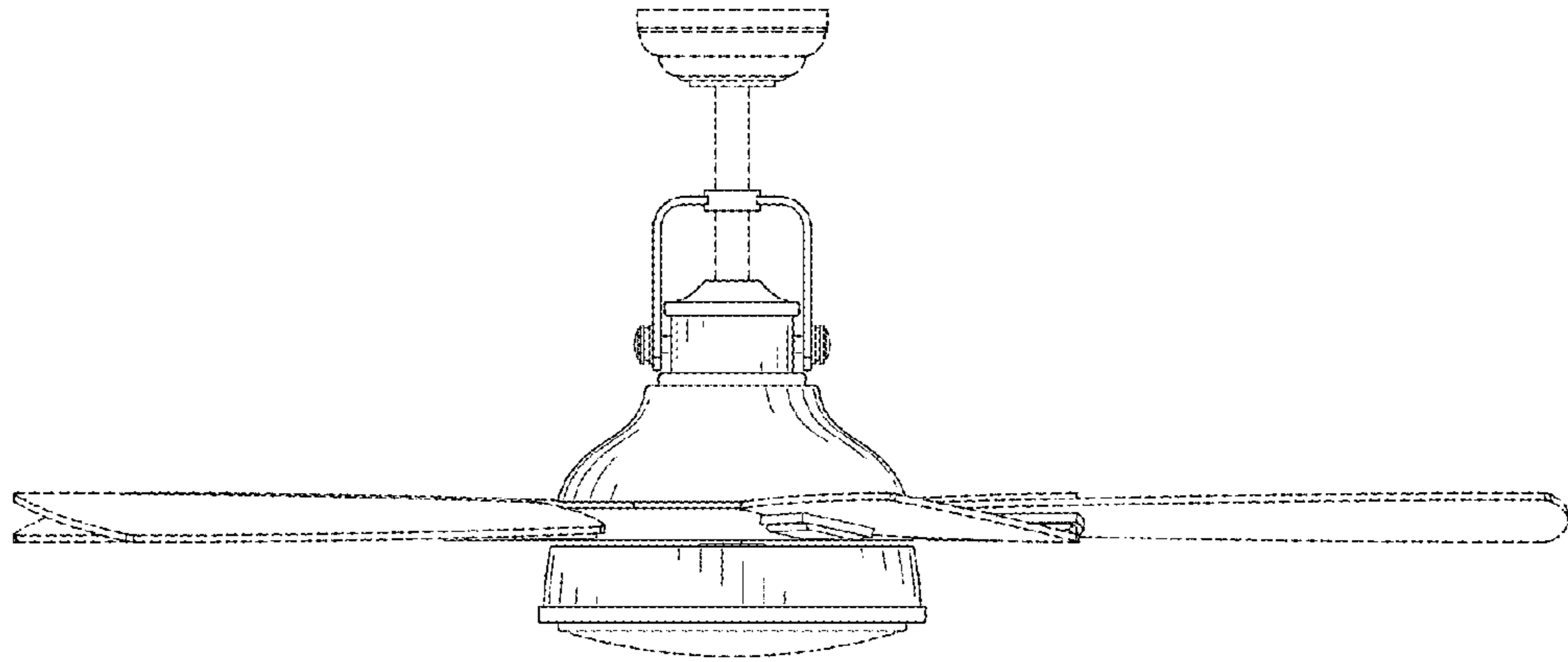


FIG. 2

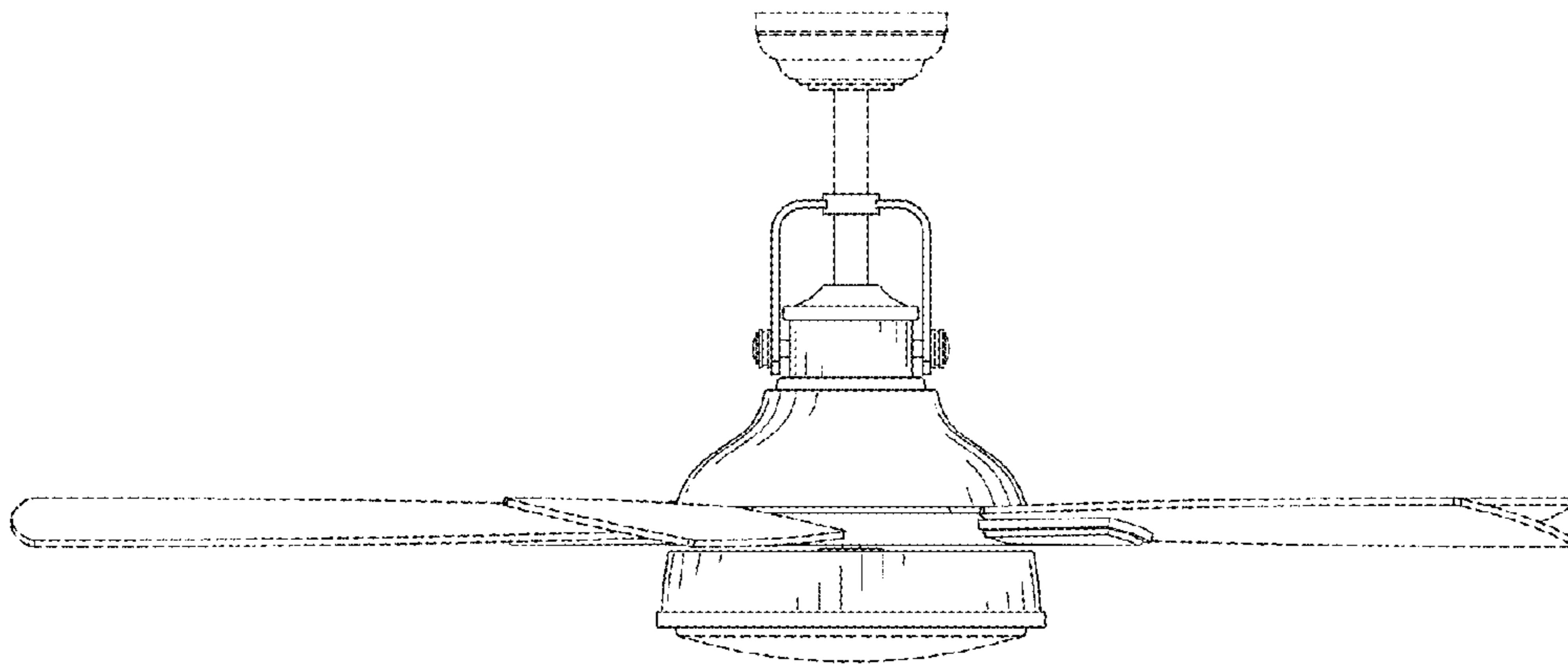


FIG. 3

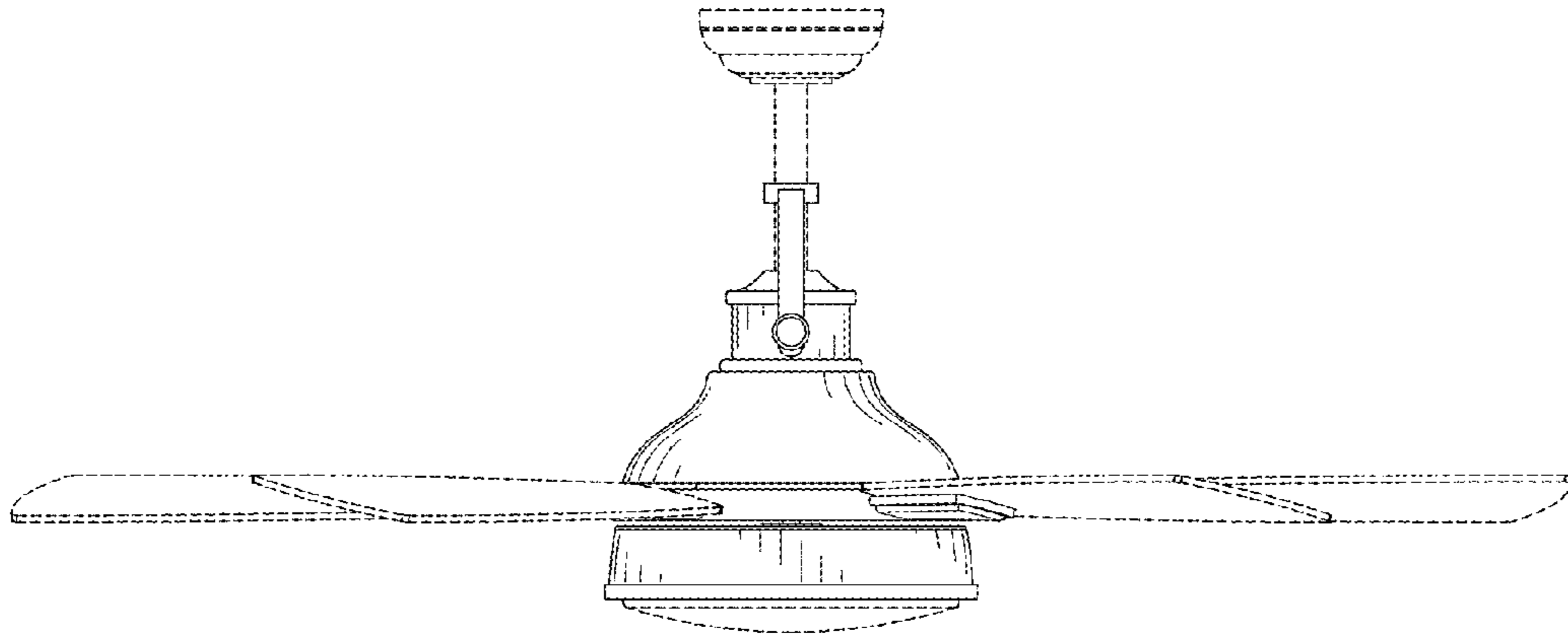


FIG. 4

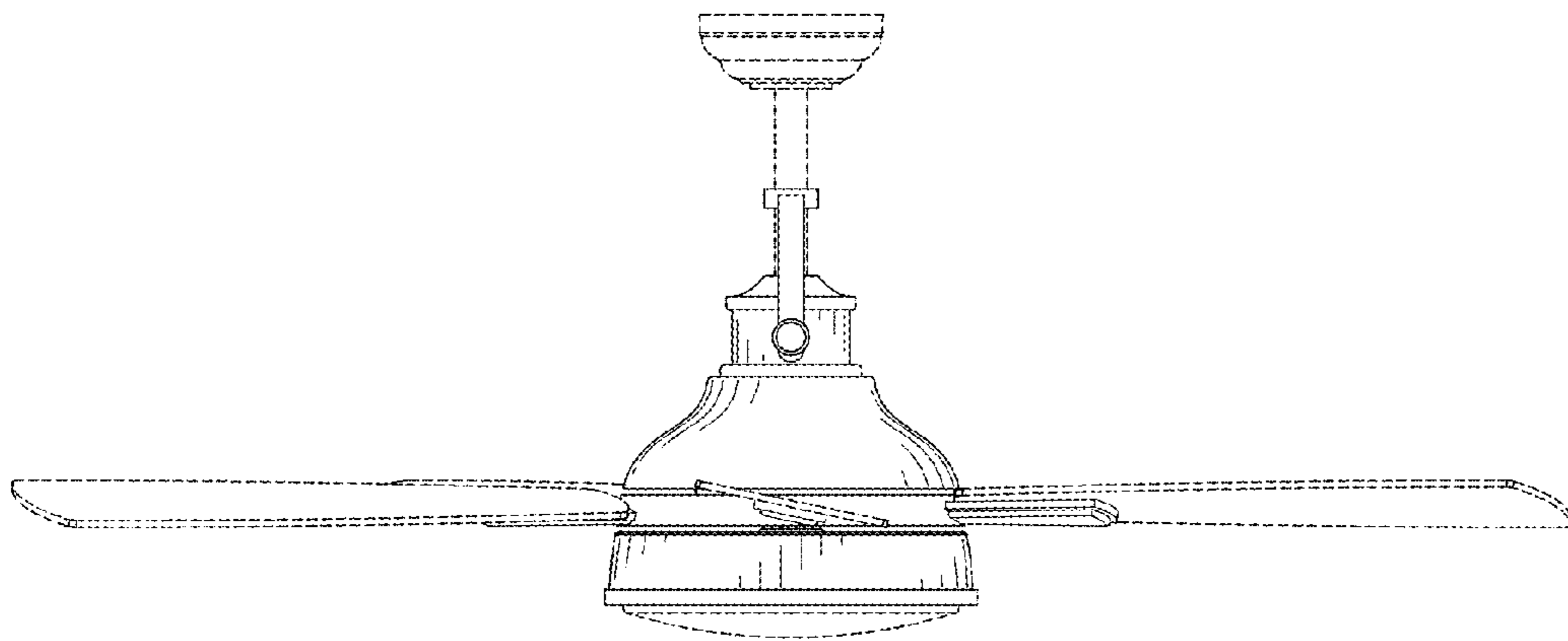


FIG. 5

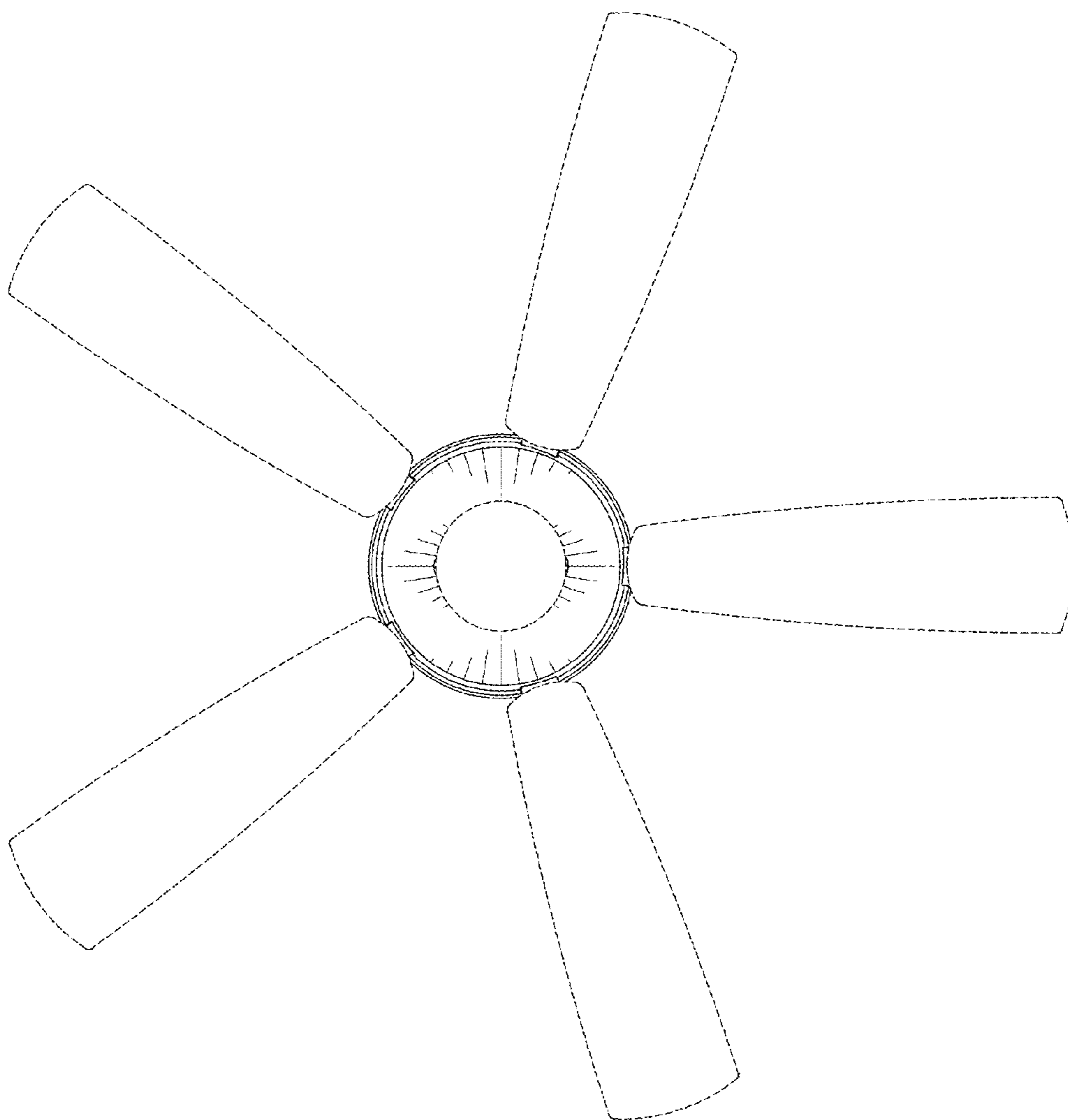


FIG.6

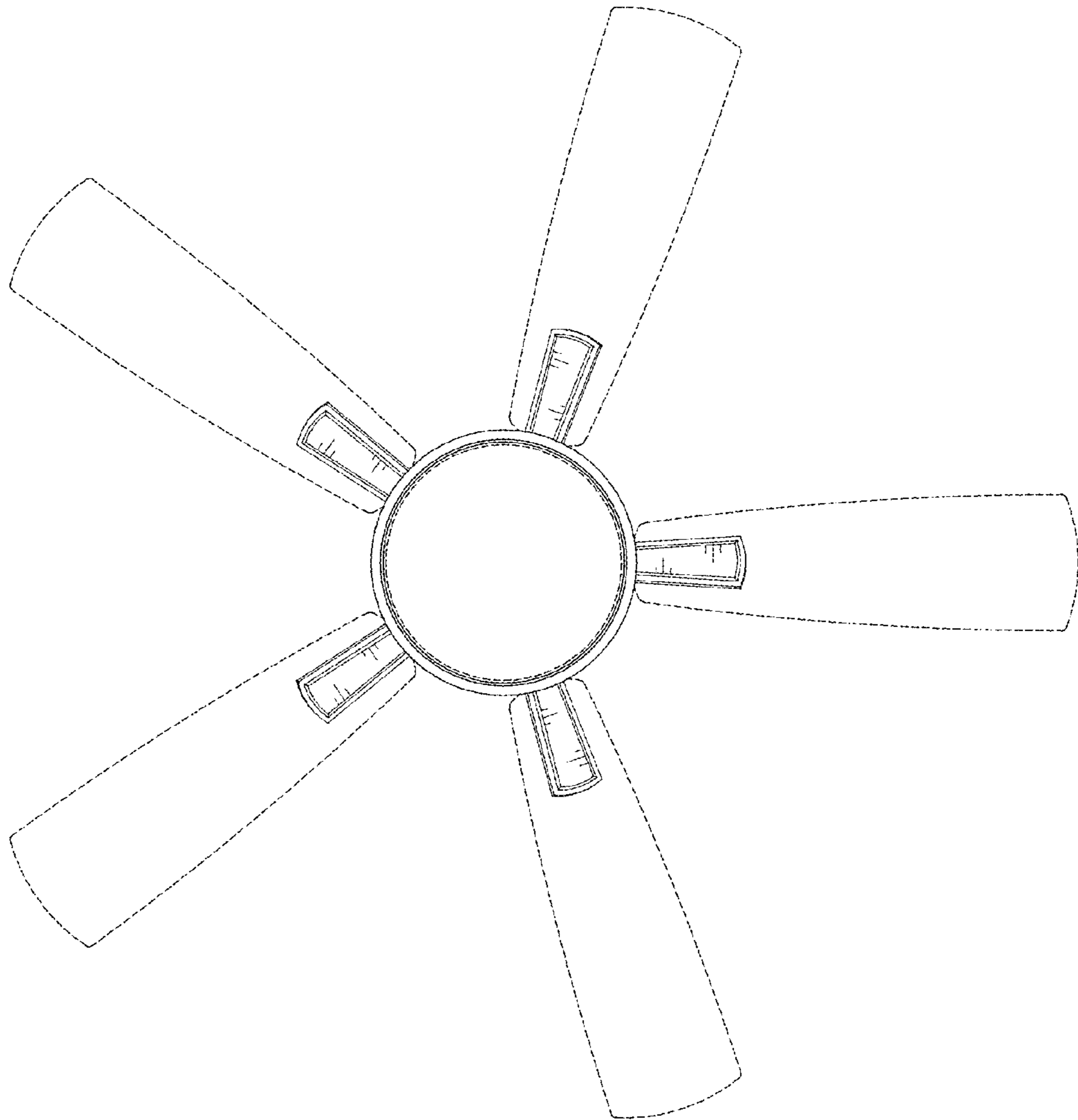


FIG. 7