



US00D760365S

(12) **United States Design Patent**
Zanelli

(10) **Patent No.:** **US D760,365 S**
(45) **Date of Patent:** **** Jun. 28, 2016**

- (54) **OBSTRUCTIVE TAP AND SLEEVE**
- (71) Applicant: **Tim Zanelli**, North Reading, MA (US)
- (72) Inventor: **Tim Zanelli**, North Reading, MA (US)
- (**) Term: **14 Years**
- (21) Appl. No.: **29/522,778**
- (22) Filed: **Apr. 2, 2015**
- (51) **LOC (10) Cl.** **23-01**
- (52) **U.S. Cl.**
USPC **D23/262**
- (58) **Field of Classification Search**
USPC D23/233–237, 249, 259–269, 499;
D8/382, 394, 396; D13/149; D24/129
CPC F16L 55/115; F16L 55/1152; F16L 55/10;
F16L 25/14; F16L 19/04; F16L 19/005;
F16L 27/073; F16L 27/04; F16L 39/00;
F16L 33/225; D06F 58/10; E03B 9/02;
F16K 27/067; F16K 27/12; F16K 35/10;
F16K 1/00
See application file for complete search history.

- 4,887,644 A * 12/1989 Jeromson F16K 5/0631
137/876
- D481,108 S * 10/2003 Horikawa D23/263
- D482,432 S * 11/2003 Matsumoto D23/235
- D490,505 S * 5/2004 Clivio D23/262
- D673,657 S * 1/2013 Sisk D23/262
- D693,443 S * 11/2013 Puluc D23/262
- 2012/0193909 A1 * 8/2012 Minich F16L 41/06
285/197
- 2015/0369416 A1 * 12/2015 Farrelly F16L 55/1152
138/89

* cited by examiner

Primary Examiner — Eric Goodman

Assistant Examiner — Amy Wierenga

(74) *Attorney, Agent, or Firm* — Daniel N. Smith

(57) **CLAIM**

The ornamental design for an obstructive tap and sleeve, as shown and described.

DESCRIPTION

FIG. 1 illustrates a top perspective view of an obstructive tap and sleeve.

FIG. 2 illustrates a front view of the obstructive tap and sleeve.

FIG. 3 illustrates a rear view of the obstructive tap and sleeve.

FIG. 4 illustrates a top view of the obstructive tap and sleeve.

FIG. 5 illustrates a bottom view of the obstructive tap and sleeve; and,

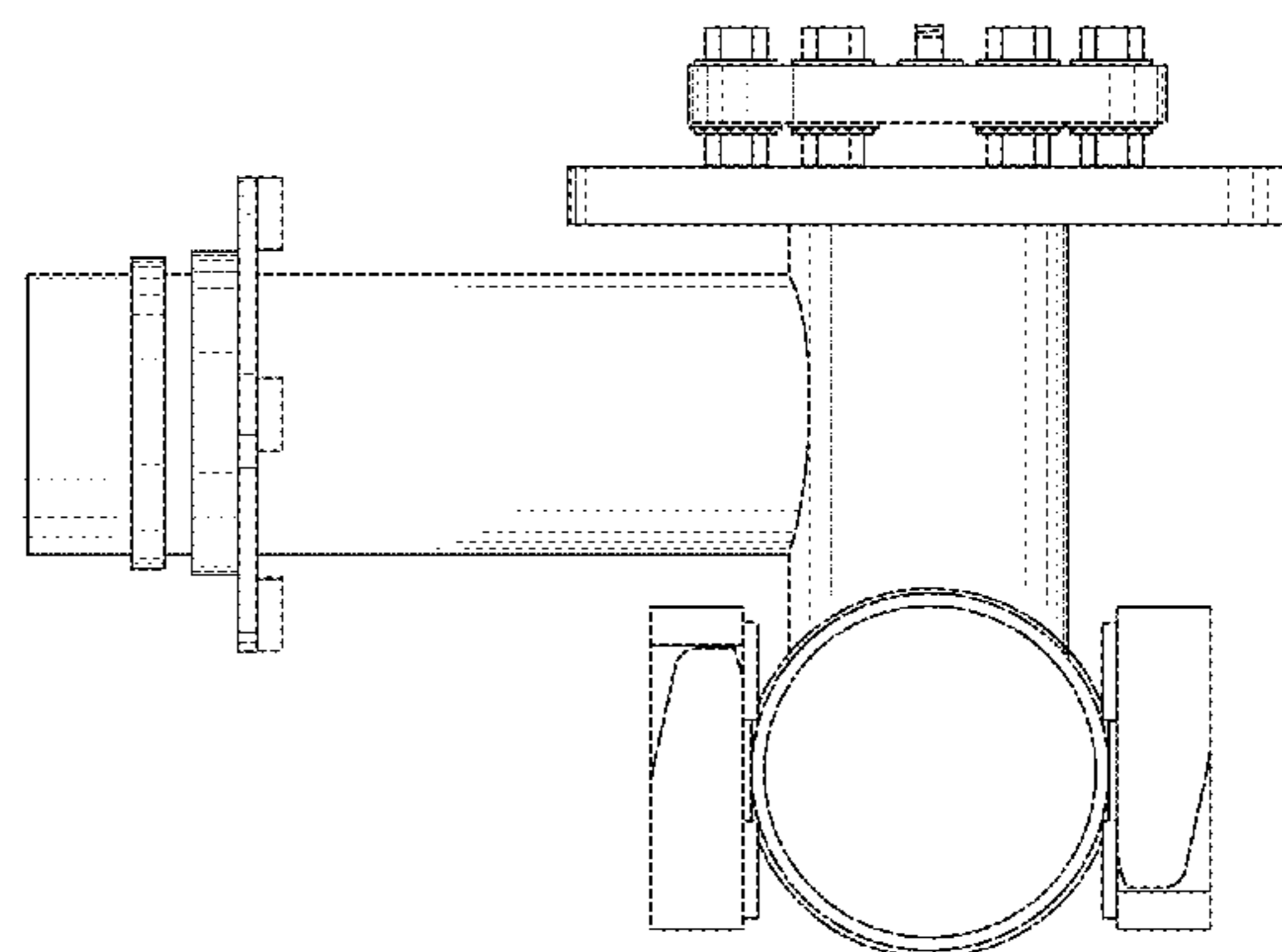
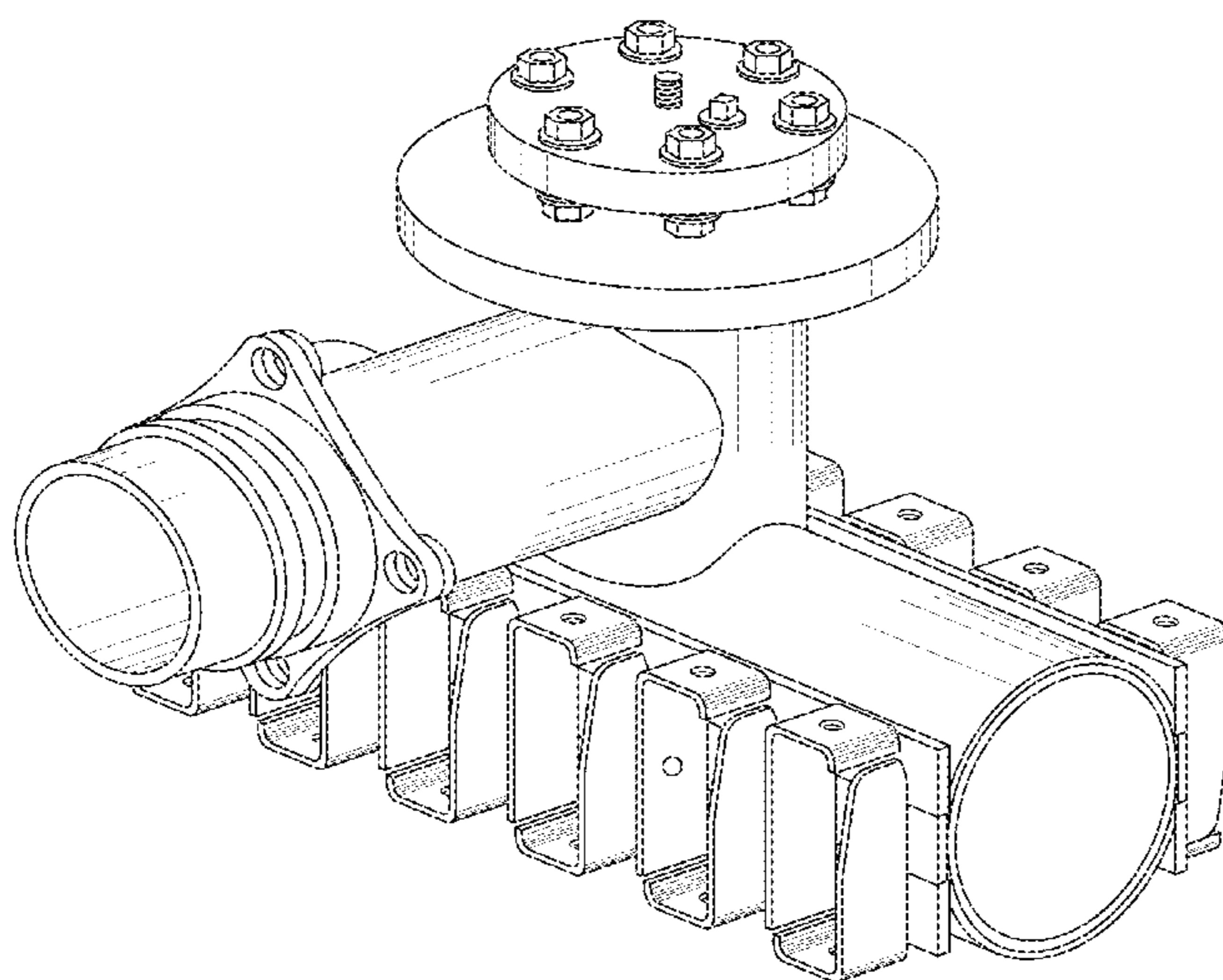
FIG. 6 illustrates a left side view of the obstructive tap and sleeve.

1 Claim, 6 Drawing Sheets

(56) **References Cited**

U.S. PATENT DOCUMENTS

- D180,010 S * 4/1957 Britton D23/235
- 3,527,483 A * 9/1970 Dashner F16L 41/06
277/602
- 3,807,435 A * 4/1974 Fenster F16L 41/12
137/317
- 4,708,373 A * 11/1987 Morriss, Jr. F16L 41/12
277/616



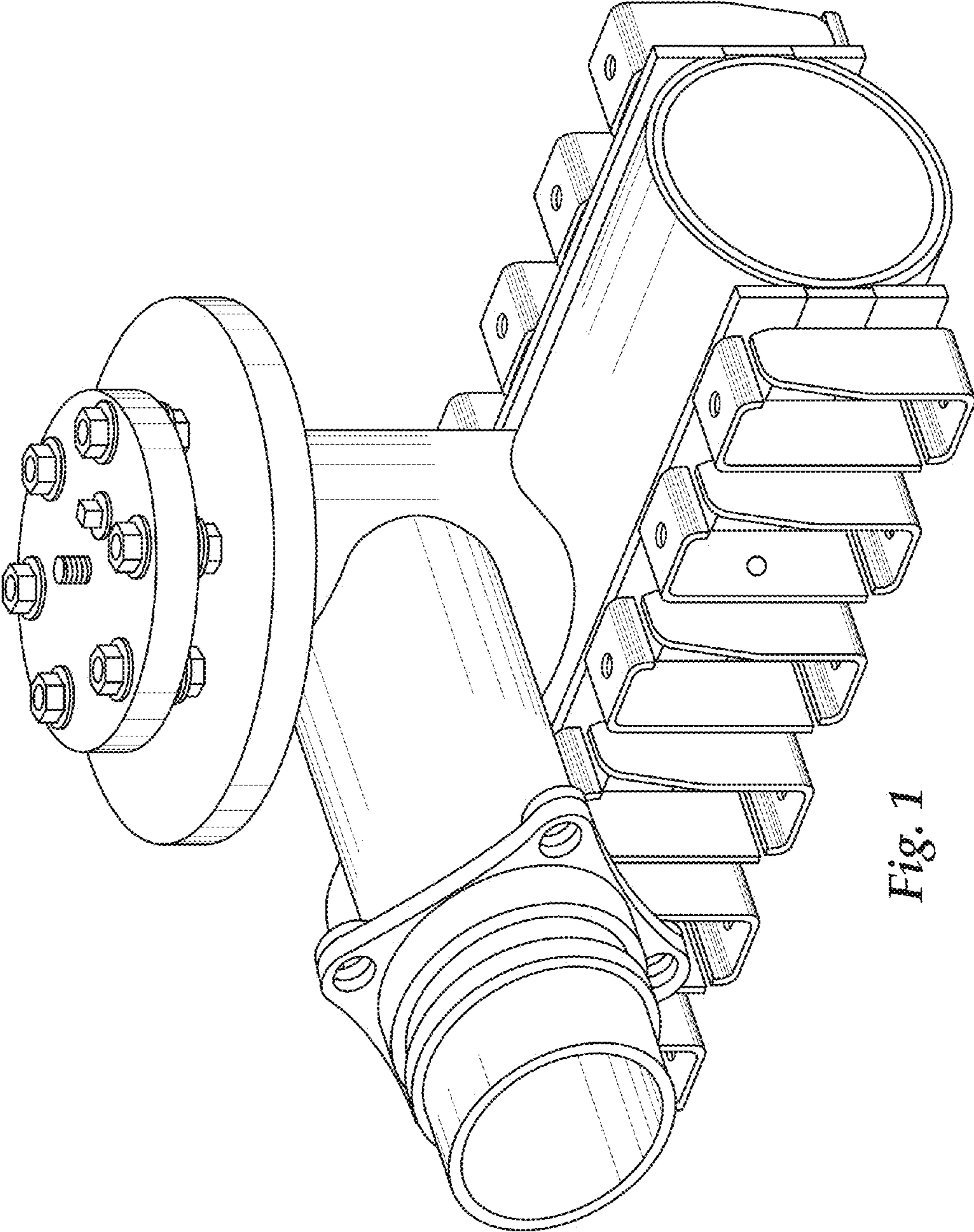


Fig. 1

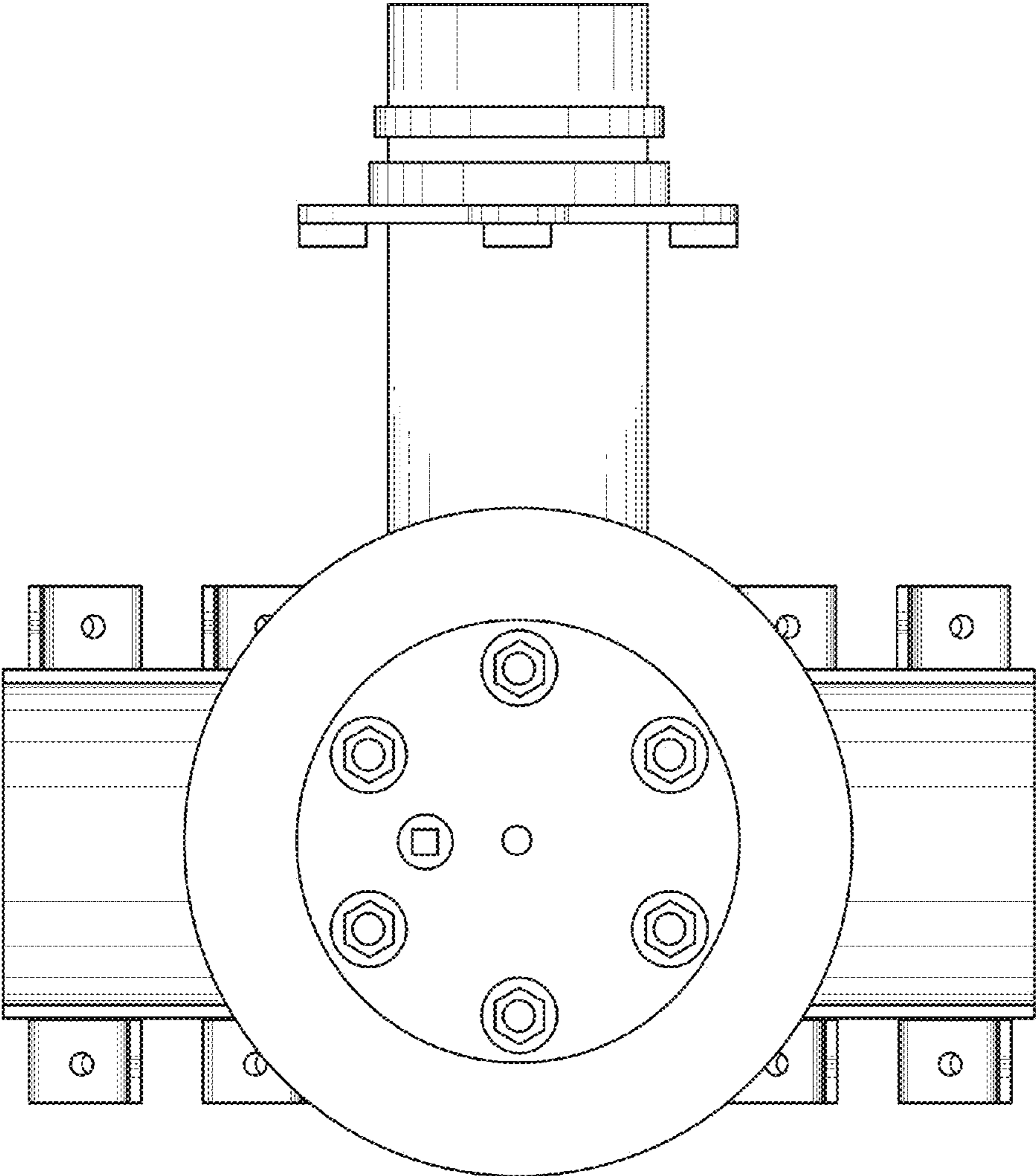


Fig. 2

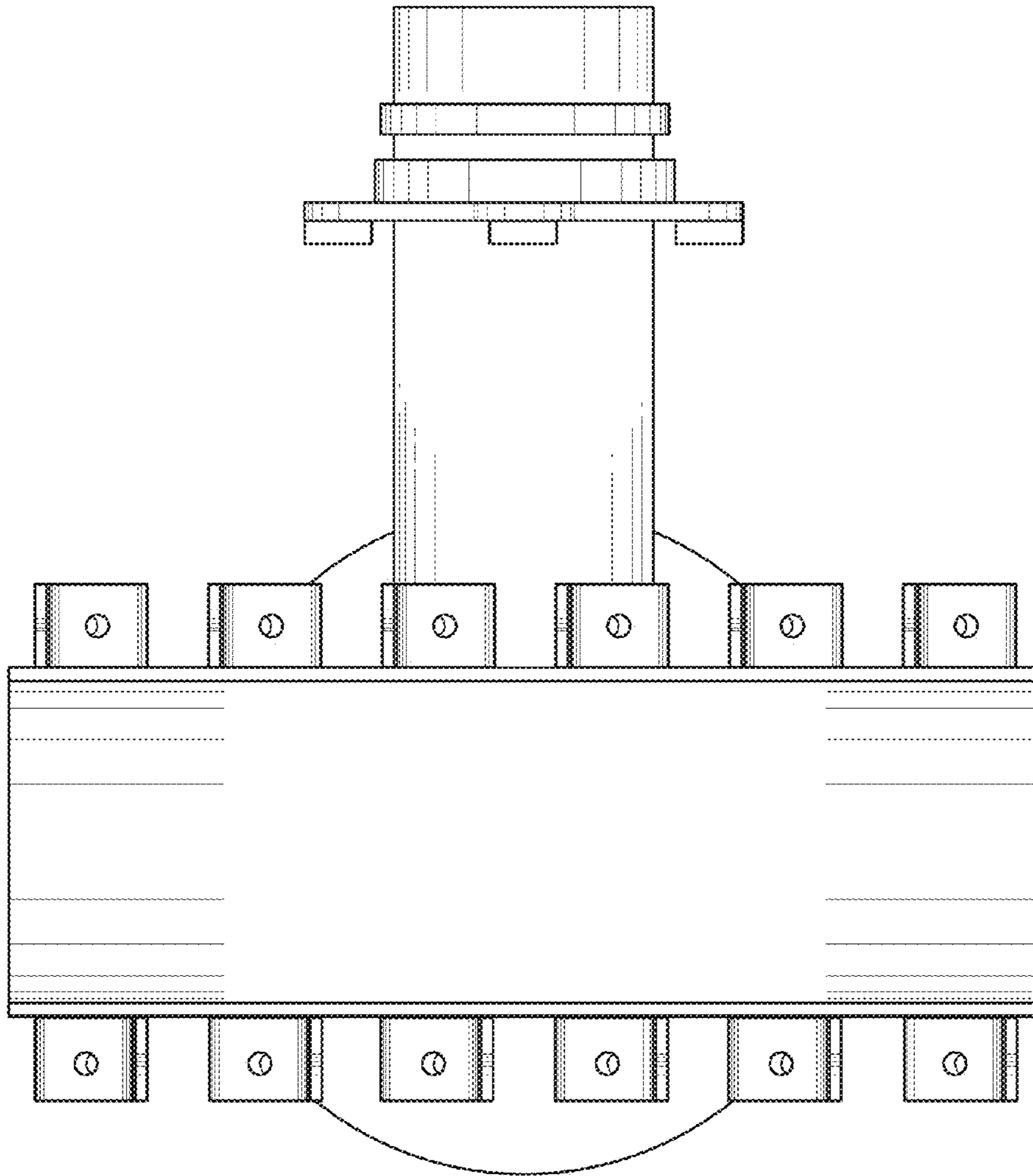


Fig. 3

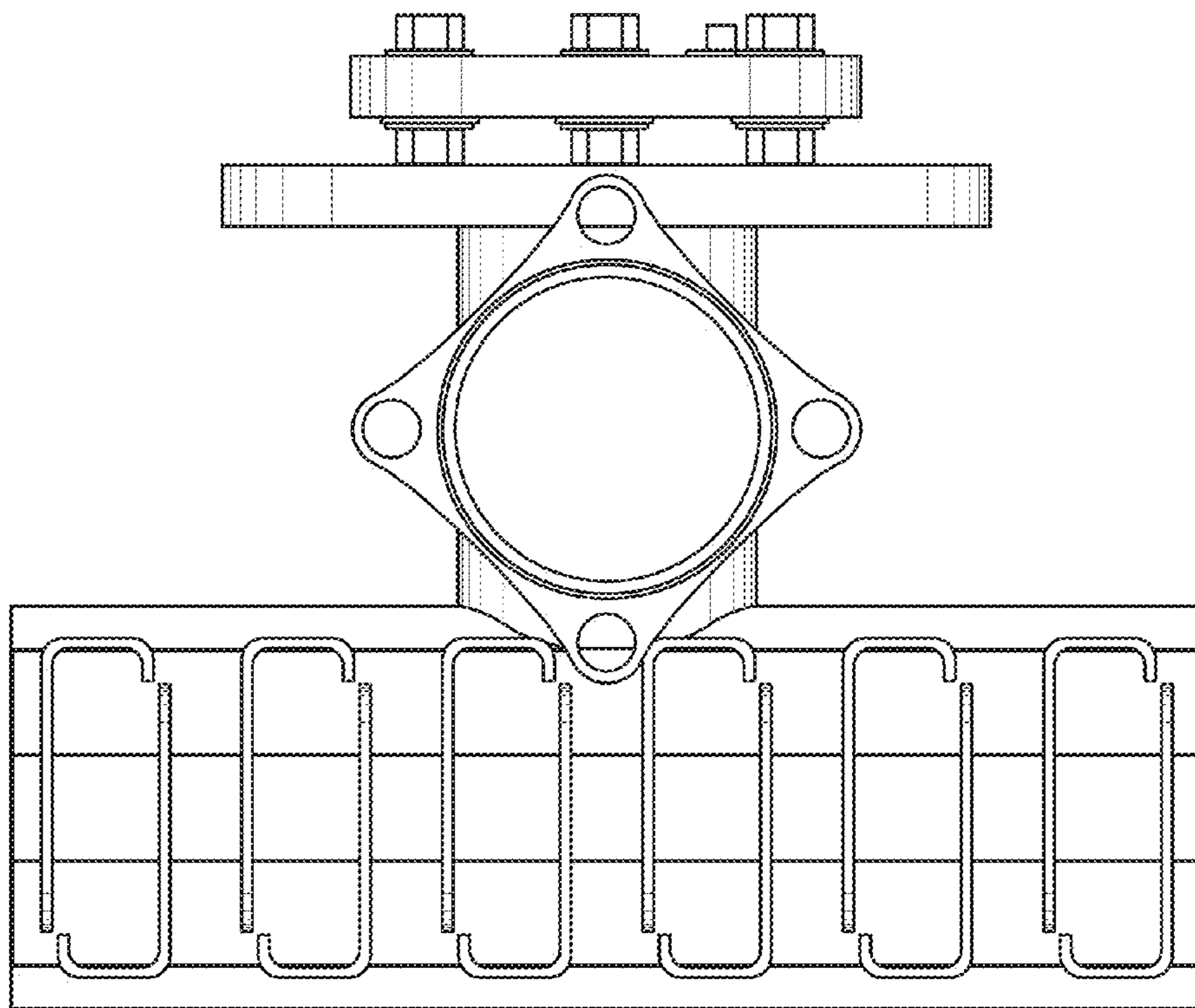


Fig. 4

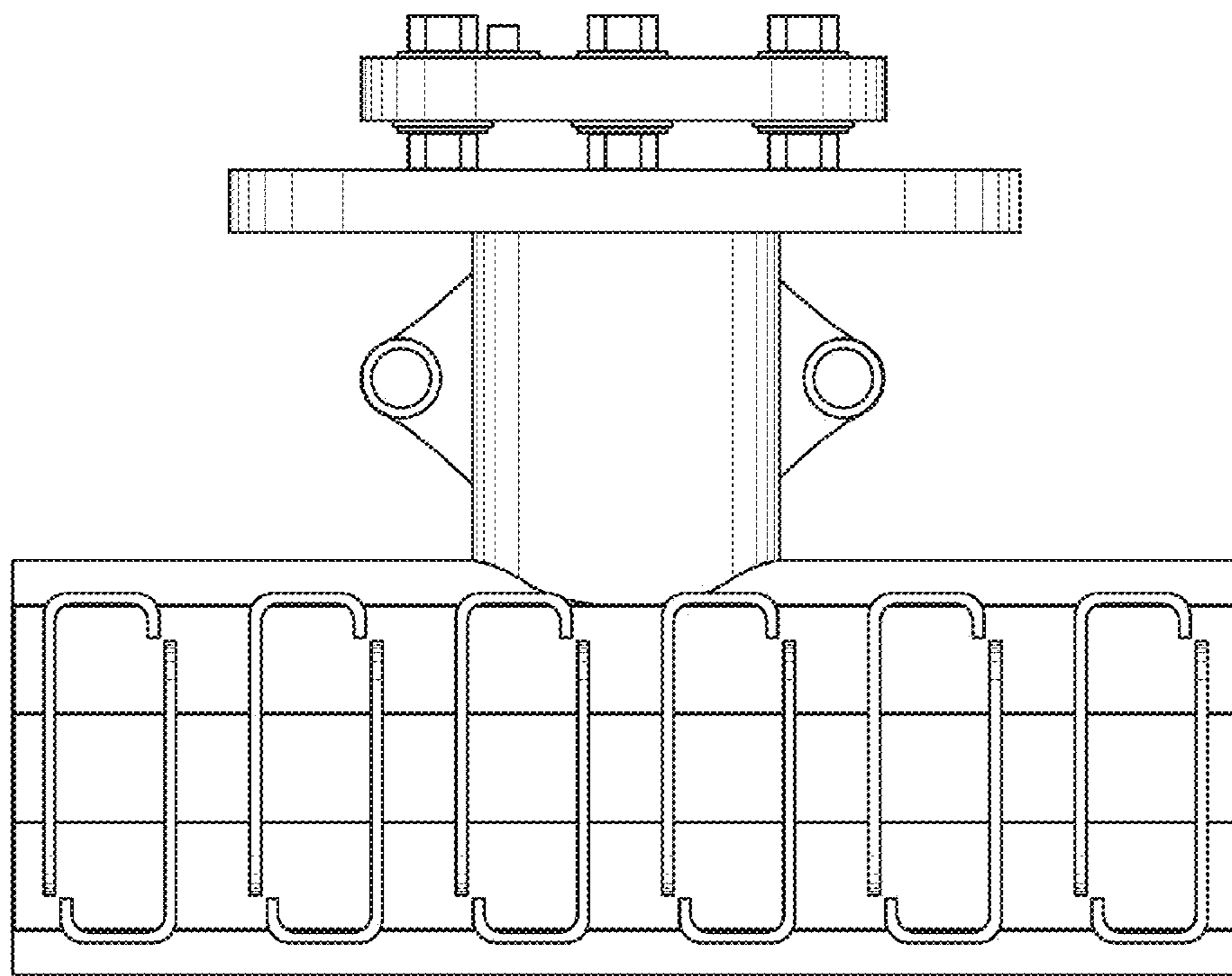


Fig. 5

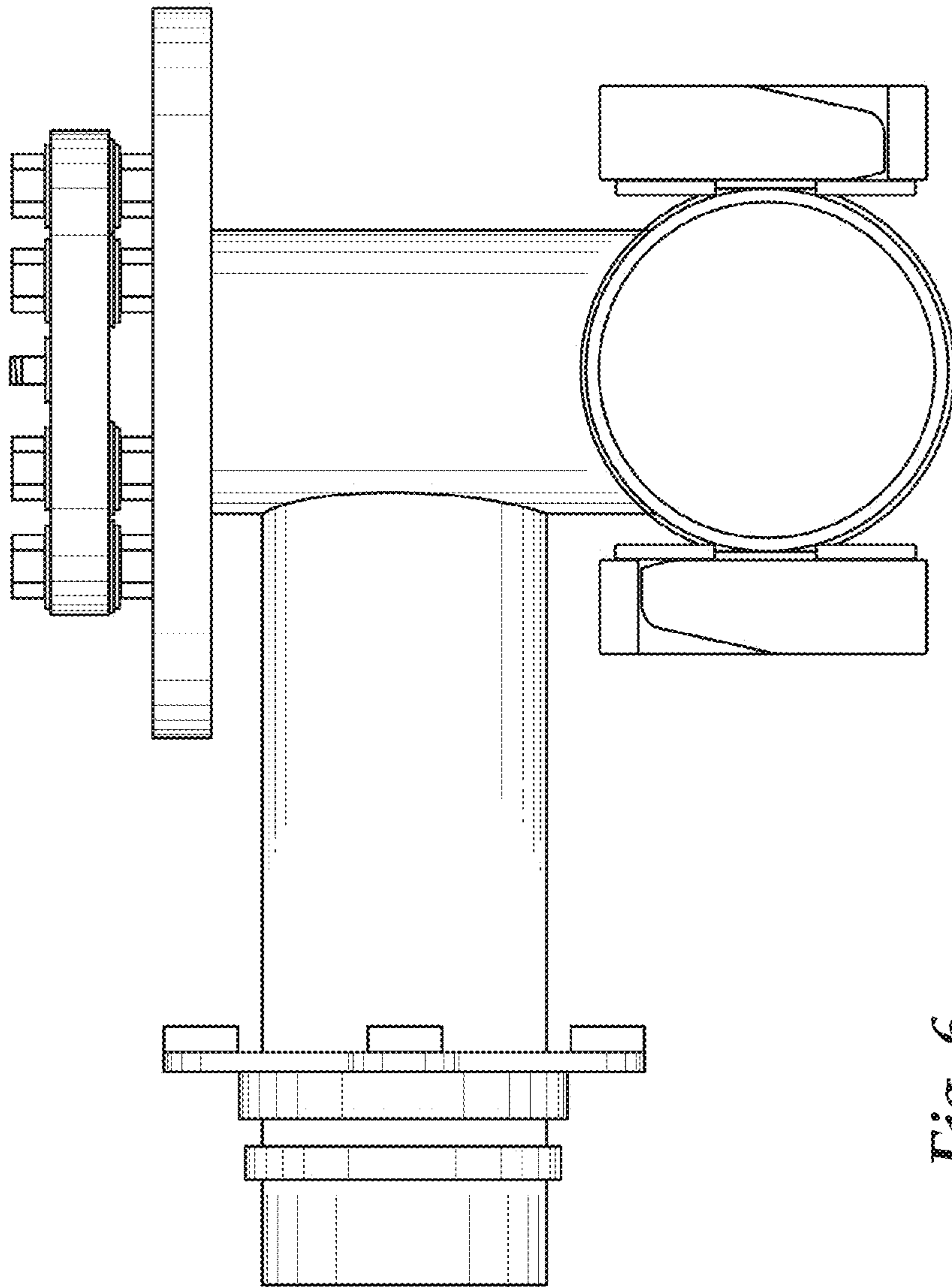


Fig. 6