



US00D760363S

(12) **United States Design Patent**
Yang

(10) **Patent No.:** **US D760,363 S**
(45) **Date of Patent:** **** *Jun. 28, 2016**

- (54) **HOSE CONNECTOR**
- (71) Applicant: **Telebrands Corp.**, Fairfield, NJ (US)
- (72) Inventor: **Jun Yang**, Ningbo (CN)
- (73) Assignee: **Telebrands Corp.**, Fairfield, NJ (US)
- (*) Notice: This patent is subject to a terminal disclaimer.
- (**) Term: **14 Years**
- (21) Appl. No.: **29/459,553**
- (22) Filed: **Jul. 1, 2013**

2,076,632	A	4/1937	Goodall
2,409,161	A	10/1946	Sivertsen
2,634,071	A	4/1953	Lund
2,858,854	A	11/1958	Daggett
5,158,005	A	10/1992	Negishi et al.
6,523,539	B2	2/2003	McDonald et al.
6,948,527	B2	9/2005	Ragner et al.
7,549,448	B2	6/2009	Ragner
7,617,762	B1	11/2009	Ragner
8,291,941	B1	10/2012	Berardi
8,291,942	B2	10/2012	Berardi
D679,784	S *	4/2013	Meyer D23/262
D684,661	S *	6/2013	Ogen et al. D23/213
D687,528	S *	8/2013	Meyer D23/262
2002/0013974	A1	2/2002	Gibson et al.
2009/0277525	A1	11/2009	Jourdan
2012/0210752	A1	8/2012	Ragner

Related U.S. Application Data

- (63) Continuation of application No. 29/421,858, filed on Oct. 3, 2012, now abandoned.
- (51) **LOC (10) Cl.** **23-01**
- (52) **U.S. Cl.**
USPC **D23/262**
- (58) **Field of Classification Search**
USPC D23/259, 262; 285/245, 246, 249, 322,
285/255; 138/109
See application file for complete search history.

FOREIGN PATENT DOCUMENTS

DE	197 52 008	A1	5/1999
WO	WO 01/27582	A2	4/2001

* cited by examiner

Primary Examiner — Eric Goodman

(74) *Attorney, Agent, or Firm* — Cooper & Dunham, LLP

(57) **CLAIM**

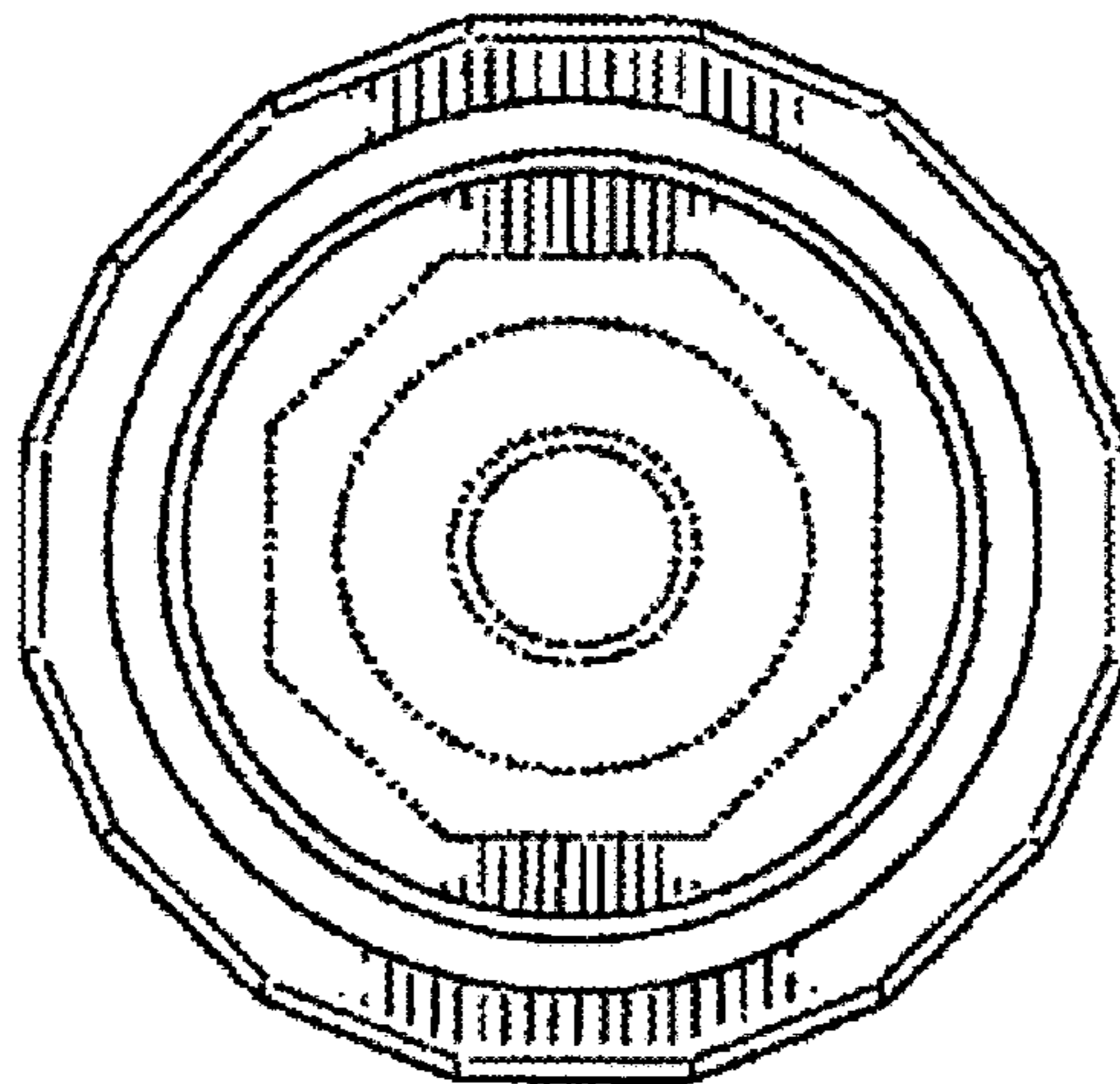
The ornamental design for a hose connector, as shown and described.

DESCRIPTION

FIG. 1 is a right side view thereof;
FIG. 2 is a front side view thereof; and,
FIG. 3 is a left side view thereof.
The broken lines are included for the purpose of illustrating portions of the hose connector that form no part of the claimed design.

1 Claim, 1 Drawing Sheet

- (56) **References Cited**
U.S. PATENT DOCUMENTS
543,220 A 7/1895 Ross
674,045 A 5/1901 Sullivan
919,444 A 4/1909 Loetzer
1,220,661 A 3/1917 Many
1,301,354 A 4/1919 Baird
2,035,736 A 3/1936 Baird
2,097,862 A 4/1936 McKay



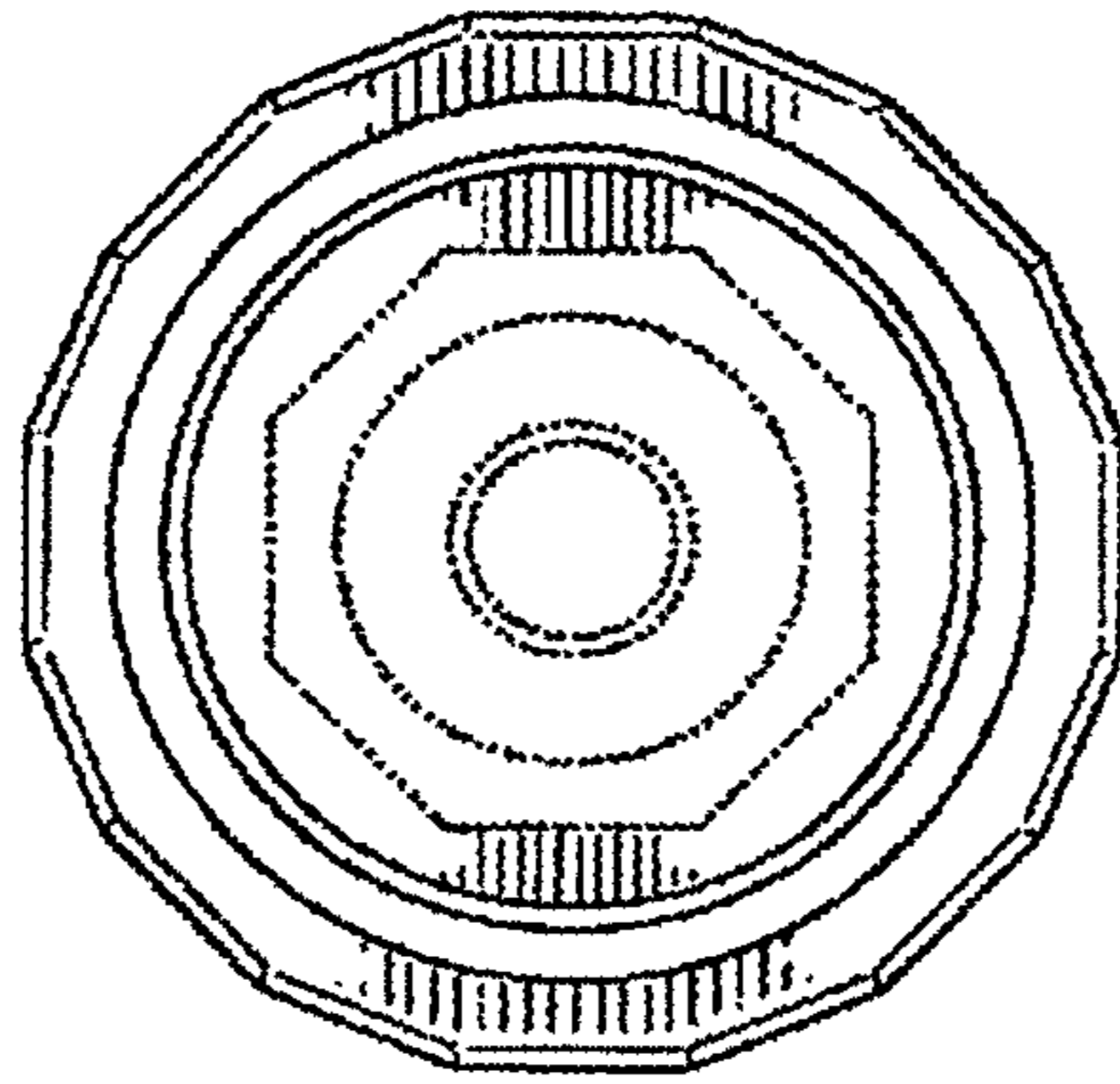


Figure 1

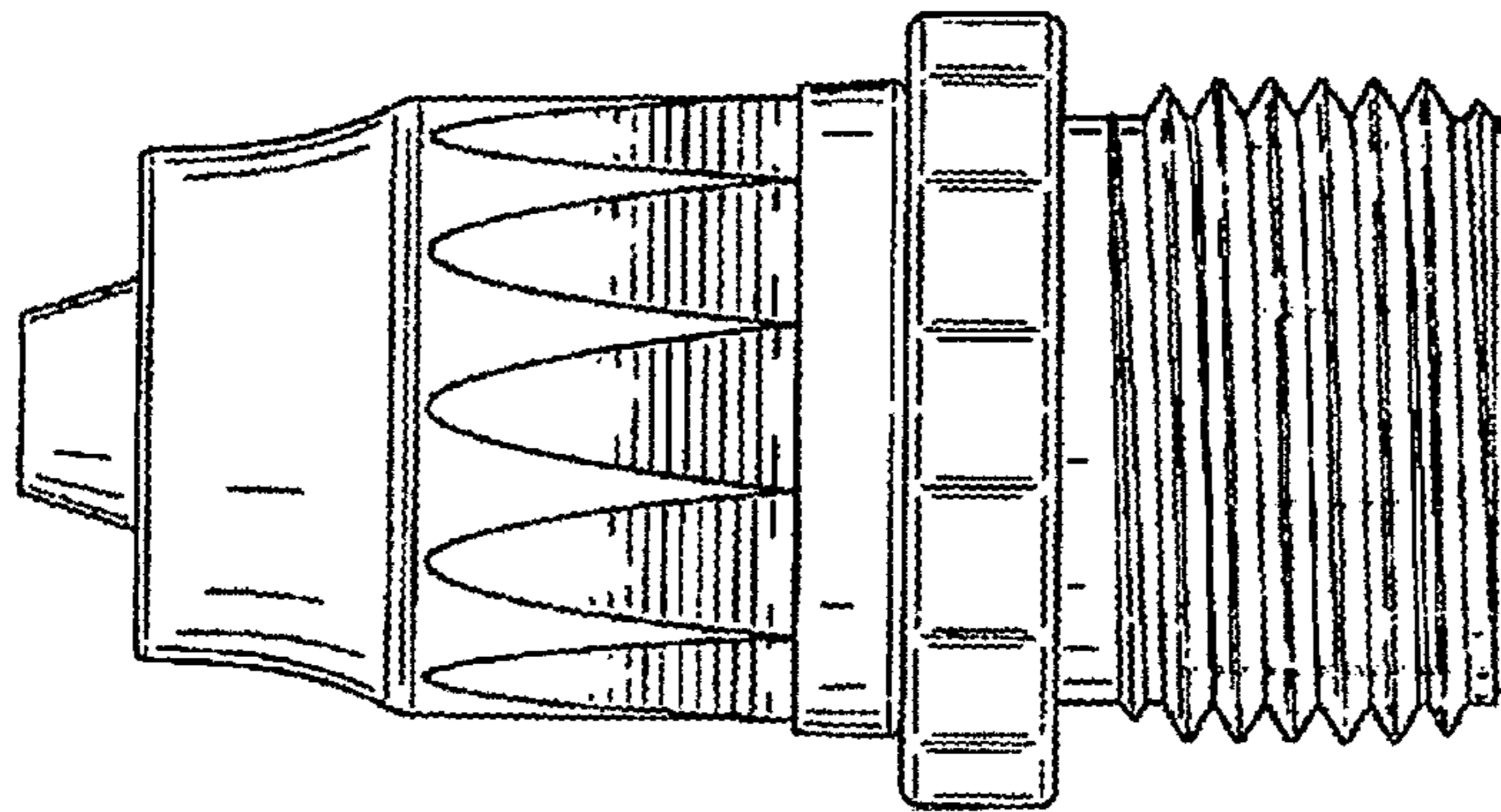


Figure 2

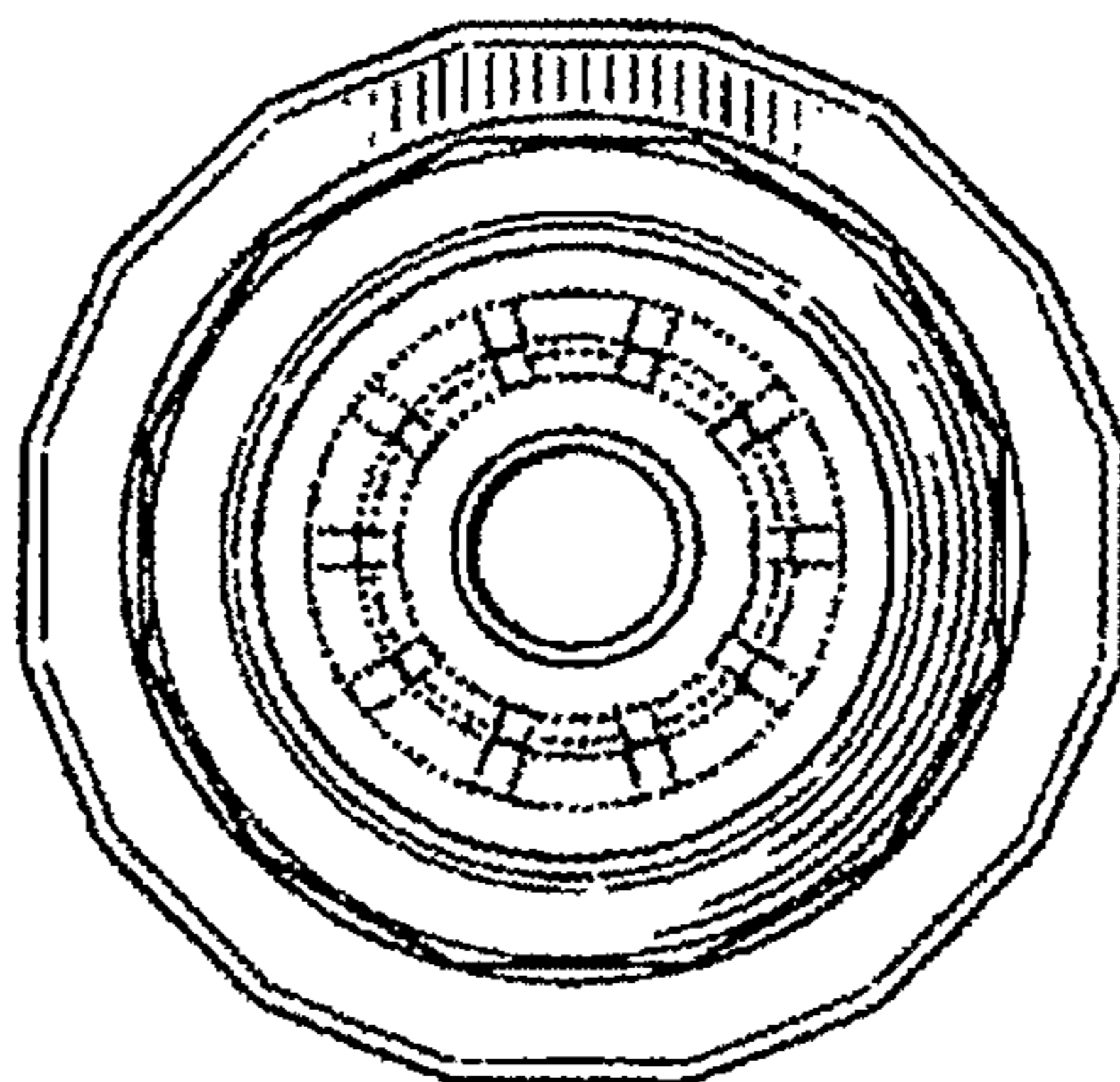


Figure 3