



US00D760360S

(12) **United States Design Patent**
Kawakami

(10) **Patent No.:** **US D760,360 S**
(45) **Date of Patent:** **** Jun. 28, 2016**

(54) **AUTOMATIC FAUCET**

(71) Applicant: **TOTO, Ltd.**, Kitakyushu-shi, Fukuoka (JP)

(72) Inventor: **Shingo Kawakami**, Kitakyushu (JP)

(73) Assignee: **TOTO, LTD.**, Fukuoka (JP)

(**) Term: **14 Years**

(21) Appl. No.: **29/517,586**

(22) Filed: **Feb. 13, 2015**

(51) **LOC (10) Cl.** **23-01**

(52) **U.S. Cl.**
USPC **D23/255**

(58) **Field of Classification Search**
USPC D23/238-243, 249, 255, 257
CPC E03C 1/04; E03C 1/0401; E03C 1/0402;
E03C 1/0404
See application file for complete search history.

(56) **References Cited**

U.S. PATENT DOCUMENTS

D519,617 S * 4/2006 Hoernig D23/255
D557,384 S * 12/2007 Garner D23/255

D636,065 S * 4/2011 Schoenherr D23/255
D645,938 S * 9/2011 Ando D23/238
D678,986 S * 3/2013 Lord D23/255

* cited by examiner

Primary Examiner — Robert Delehanty

(74) *Attorney, Agent, or Firm* — Banner & Witcoff, Ltd.

(57) **CLAIM**

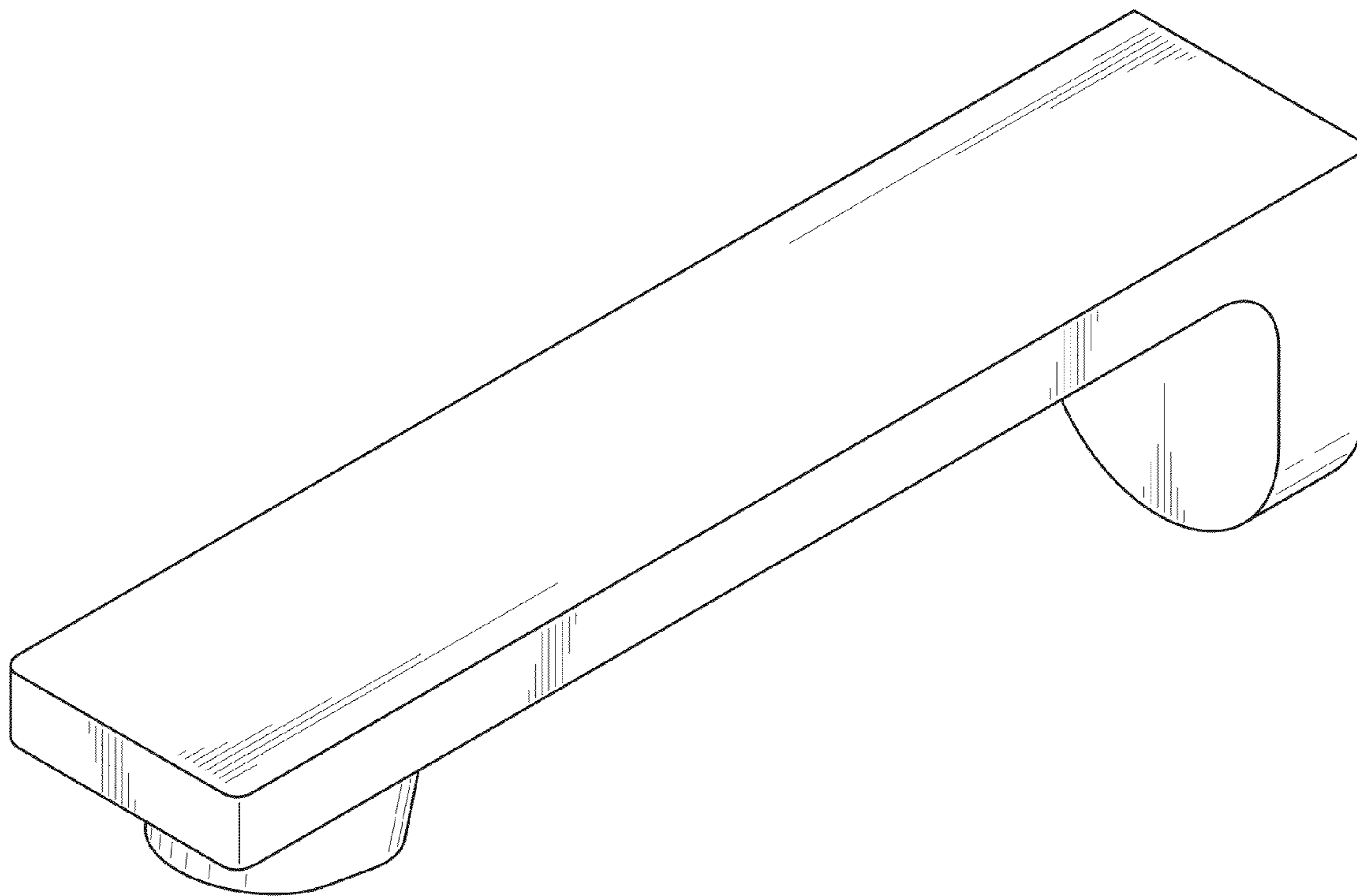
The ornamental design for an automatic faucet, as shown and described.

DESCRIPTION

FIG. 1 is a perspective view of an automatic faucet showing my new design;
FIG. 2 is a front view thereof;
FIG. 3 is a rear view thereof;
FIG. 4 is a left side view thereof;
FIG. 5 is a right side view thereof;
FIG. 6 is a top view thereof; and,
FIG. 7 is a bottom view thereof.

The broken lines shown are included for the purpose of illustrating the unclaimed portions of the automatic faucet and form no part of the claimed design.

1 Claim, 4 Drawing Sheets



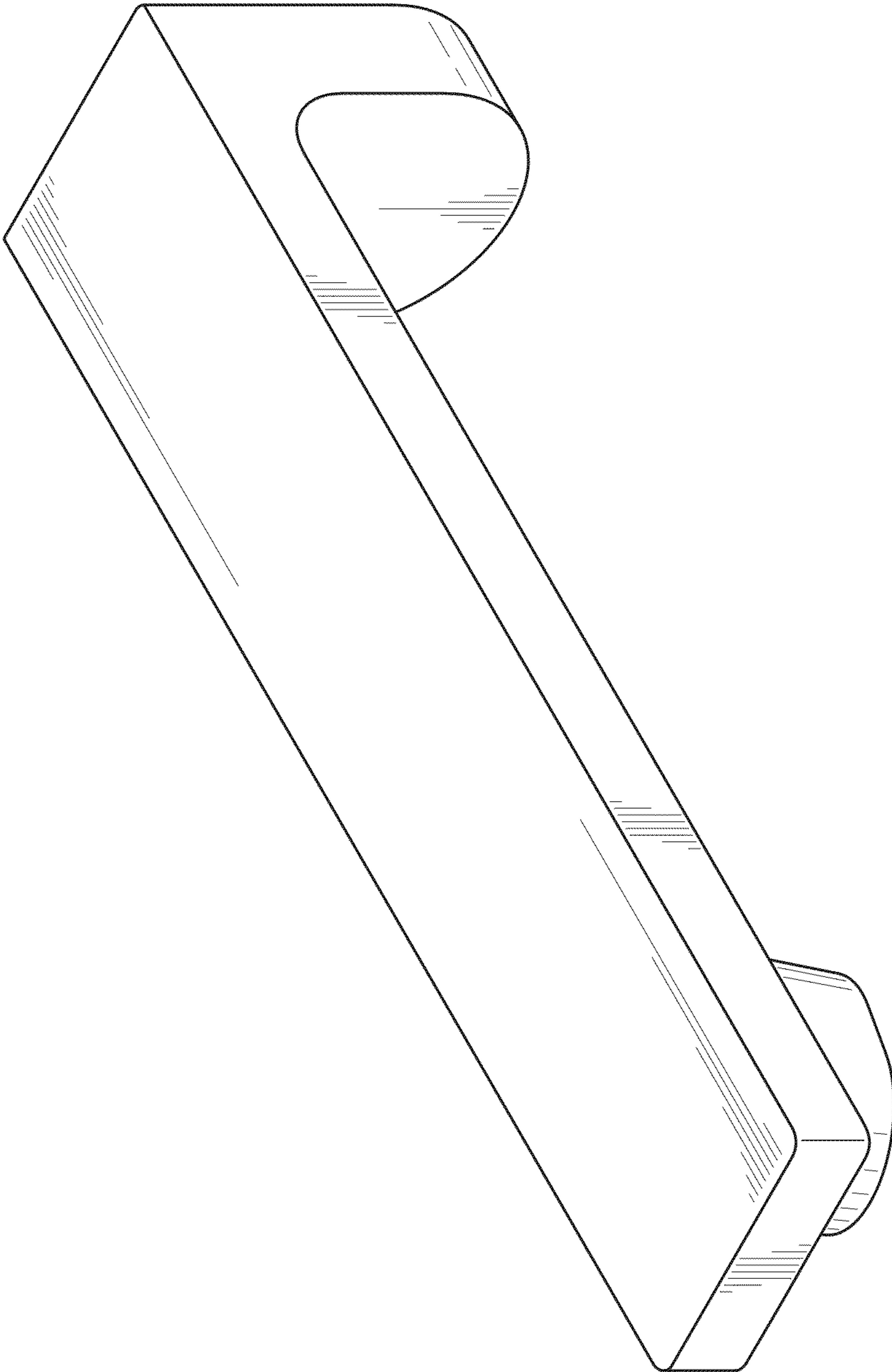


FIG. 1

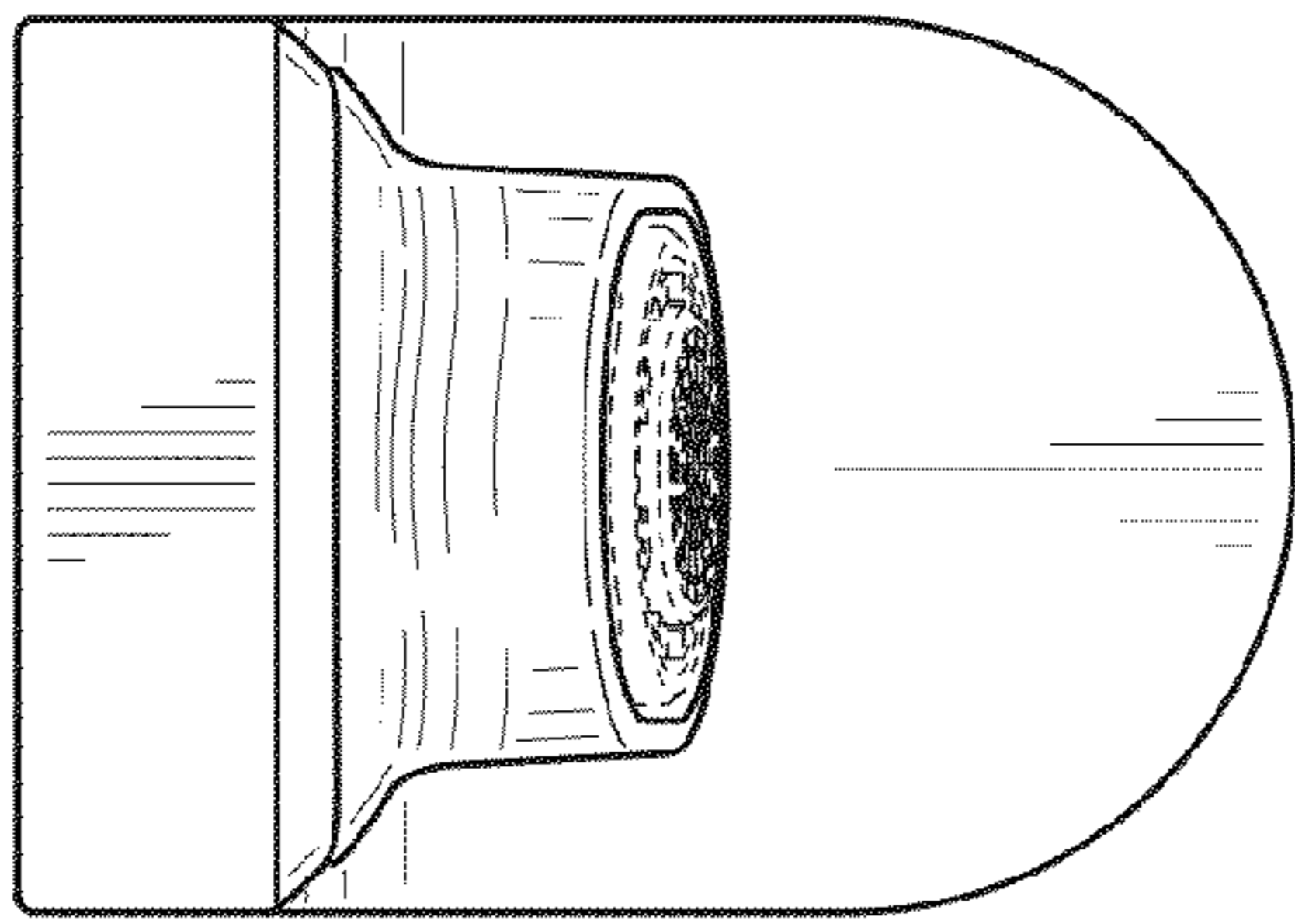


FIG. 2

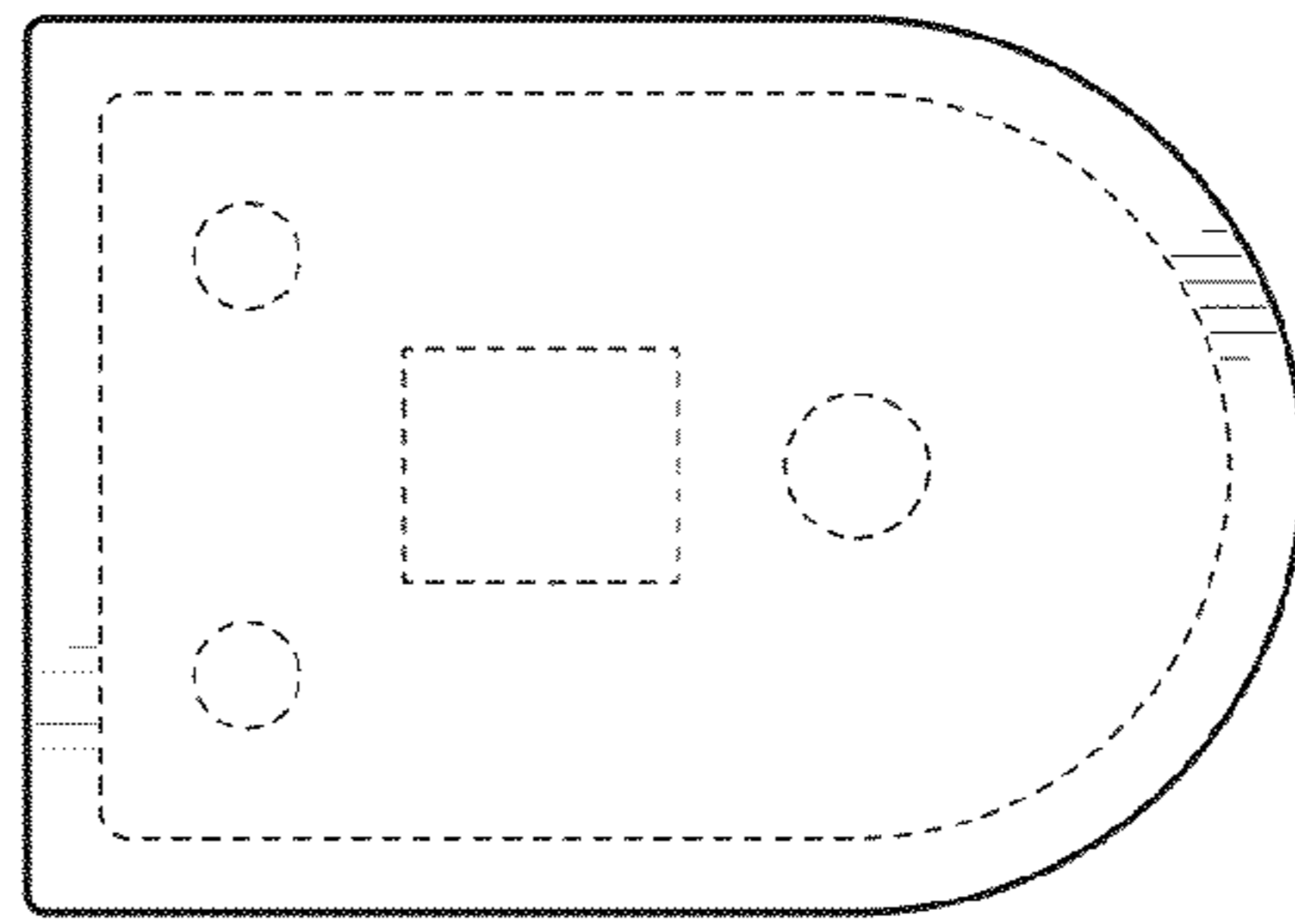


FIG. 3

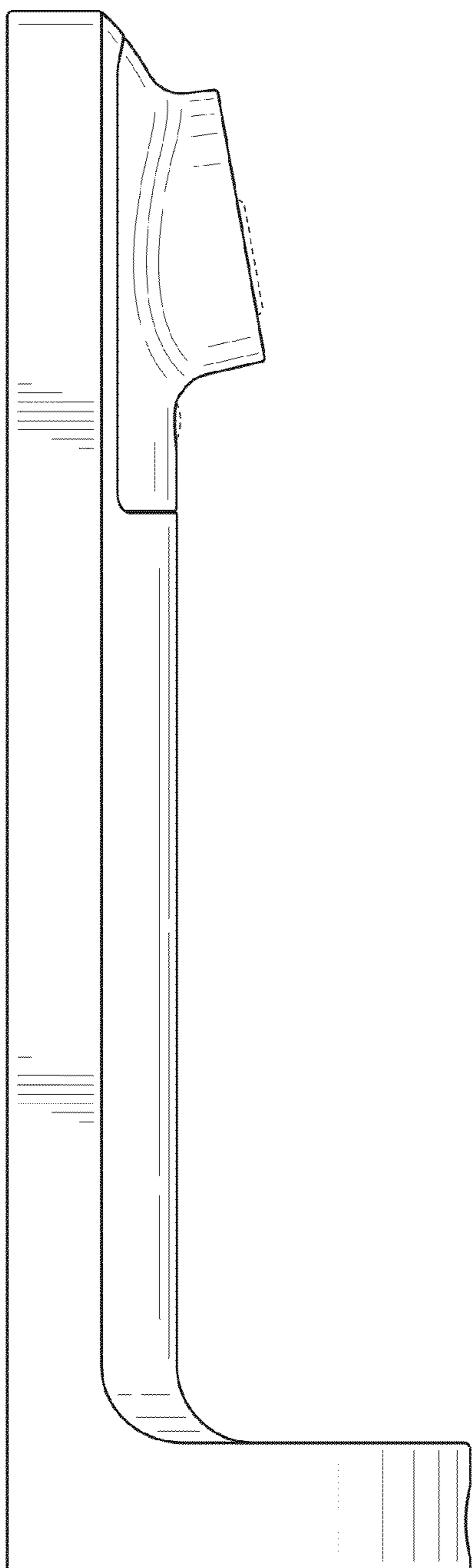


FIG. 4

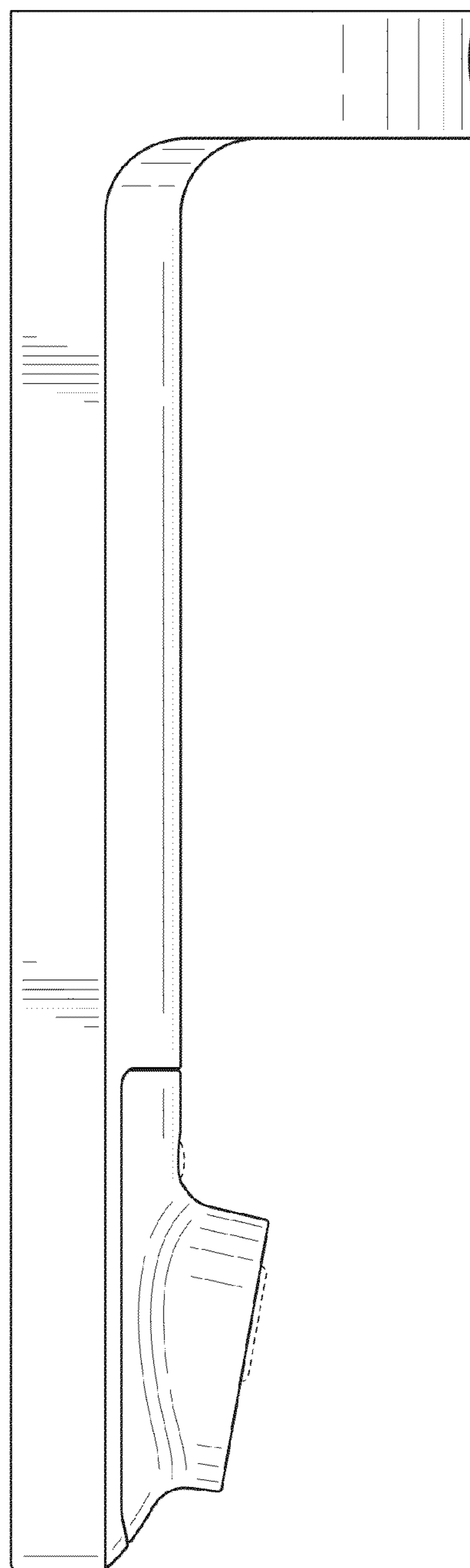


FIG. 5

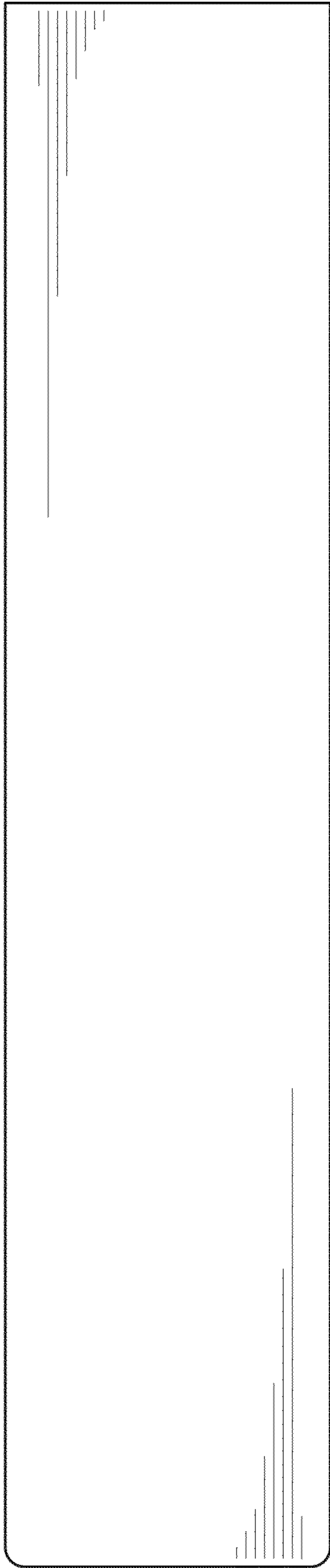


FIG. 6

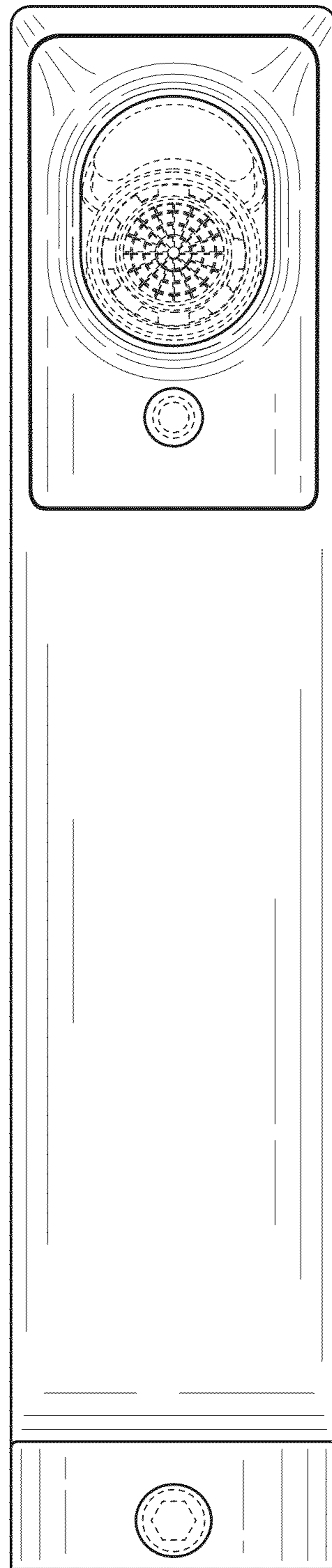


FIG. 7