



US00D760359S

(12) **United States Design Patent**  
**Citterio**

(10) **Patent No.:** **US D760,359 S**  
(45) **Date of Patent:** **\*\* Jun. 28, 2016**

(54) **FAUCET HANDLE**  
(71) Applicant: **Hansgrohe SE**, Schiltach (DE)  
(72) Inventor: **Antonio Citterio**, Milan (IT)  
(73) Assignee: **Hansgrohe SE**, Schiltach (DE)  
(\*\*) Term: **15 Years**  
(21) Appl. No.: **29/535,966**

D698,421 S \* 1/2014 Schoenherr ..... D23/238  
D700,956 S \* 3/2014 Schoenherr ..... D23/238  
D714,426 S \* 9/2014 Kulig ..... D23/252  
D726,880 S \* 4/2015 Kington ..... D23/238

(22) Filed: **Aug. 12, 2015**

(30) **Foreign Application Priority Data**

Feb. 17, 2015 (EM) ..... 002635201-0004

(51) **LOC (10) Cl.** ..... **23-02**

(52) **U.S. Cl.**  
USPC ..... **D23/252**

(58) **Field of Classification Search**  
USPC ..... D23/238, 241-243, 249-250, 252  
CPC ..... E03C 1/04; E03C 1/0401; E03C 1/0402;  
E03C 1/0404  
See application file for complete search history.

(56) **References Cited**

**U.S. PATENT DOCUMENTS**

D582,008 S \* 12/2008 Citterio ..... D23/238  
D661,375 S 6/2012 Citterio

**FOREIGN PATENT DOCUMENTS**

CN 302269759 1/2013  
EM 001336481-0089 7/2012  
EM 001377097-0008 7/2013  
IR DM/087 010 7/2015

\* cited by examiner

*Primary Examiner* — Robert Delehanty

(74) *Attorney, Agent, or Firm* — Loa J. Graentsdoerffer

(57) **CLAIM**

The ornamental design for a faucet handle, as shown and described.

**DESCRIPTION**

FIG. 1 is a perspective view of a faucet handle showing my design;  
FIG. 2 is a front elevation view;  
FIG. 3 is a rear elevation view;  
FIG. 4 is a side elevation view;  
FIG. 5 is a top plan view; and,  
FIG. 6 is a bottom plan view.  
The broken lines indicate portions of the faucet handle that form no part of the claimed design.

**1 Claim, 6 Drawing Sheets**

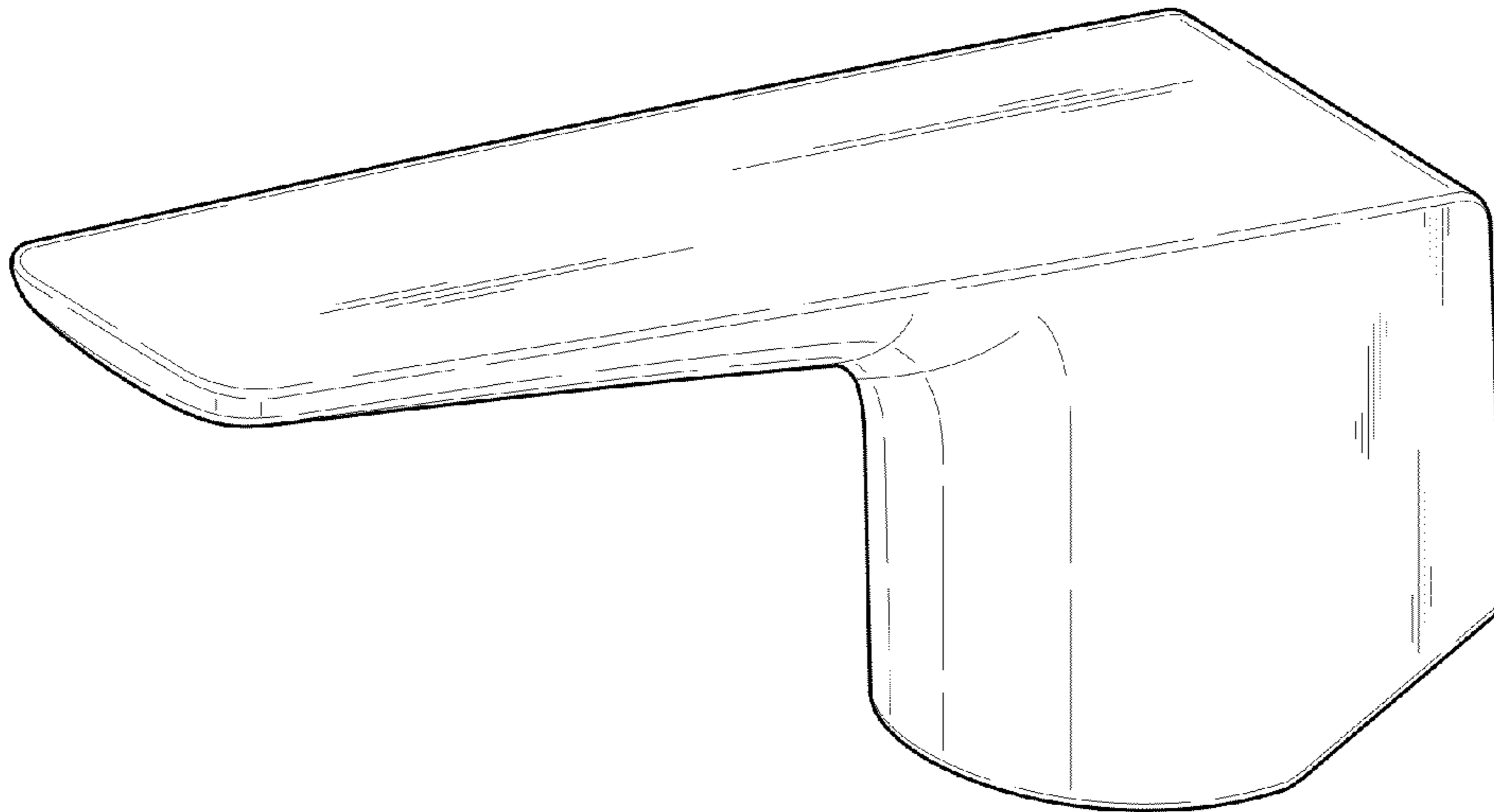


FIG. 1

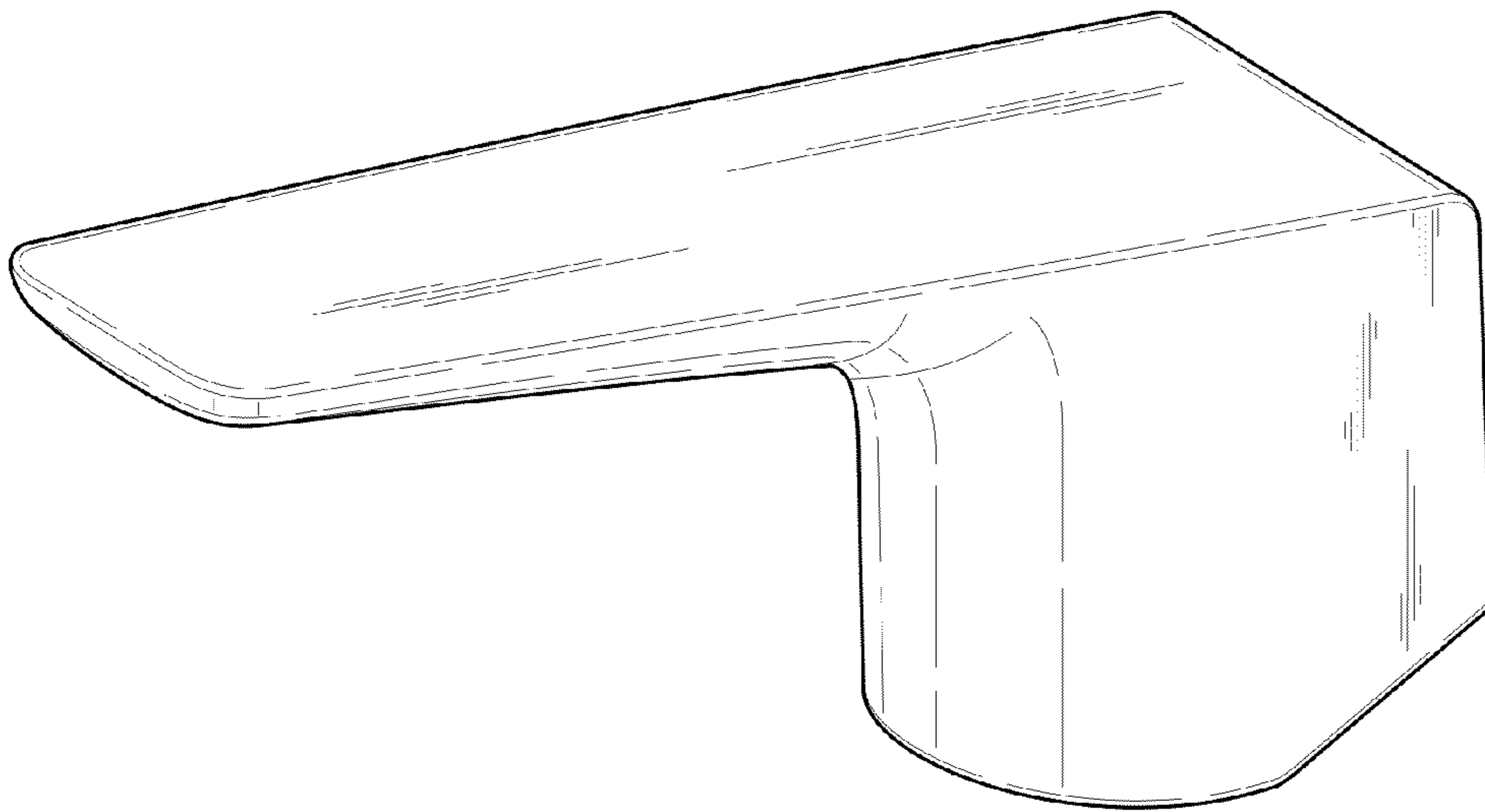


FIG. 2

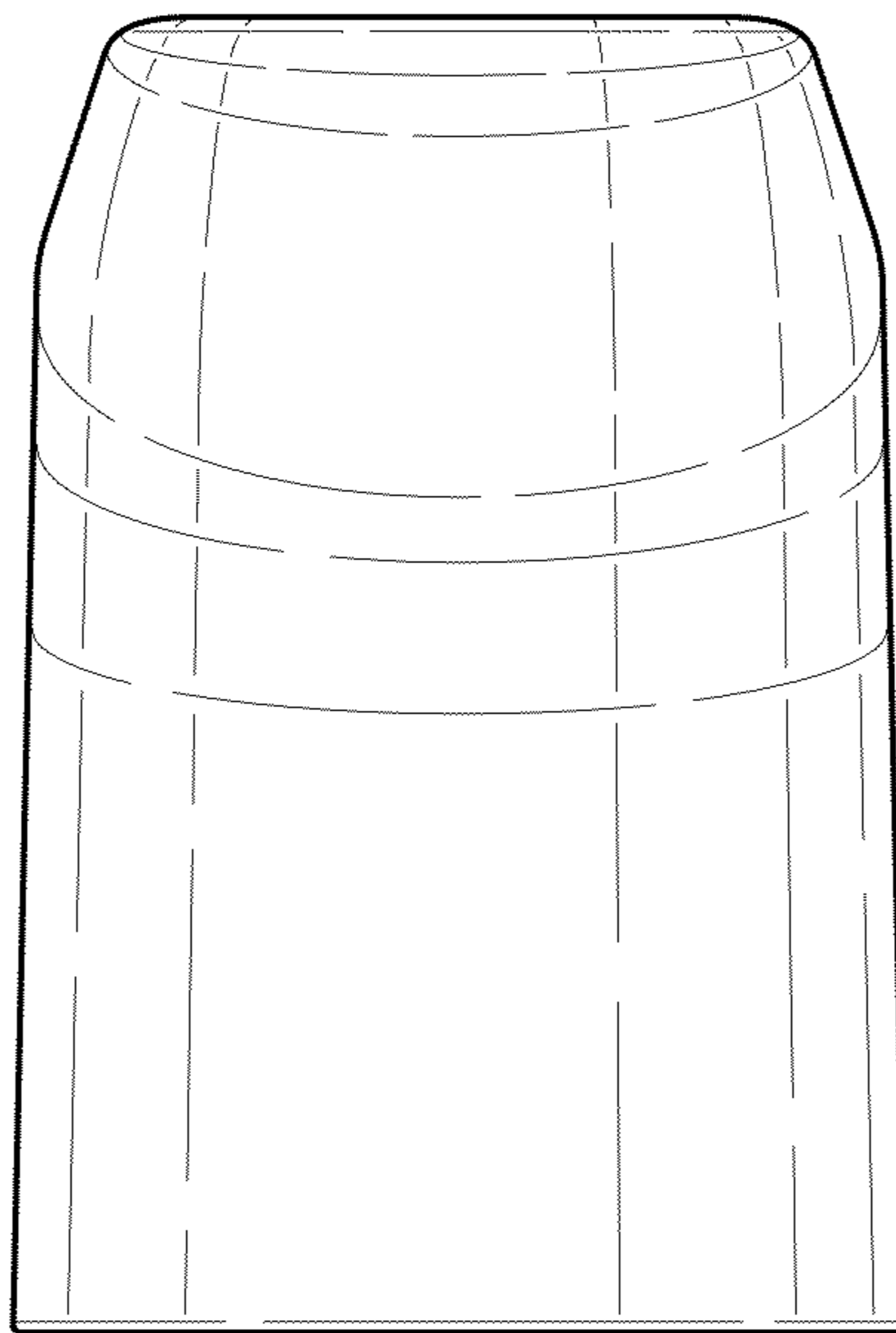


FIG. 3

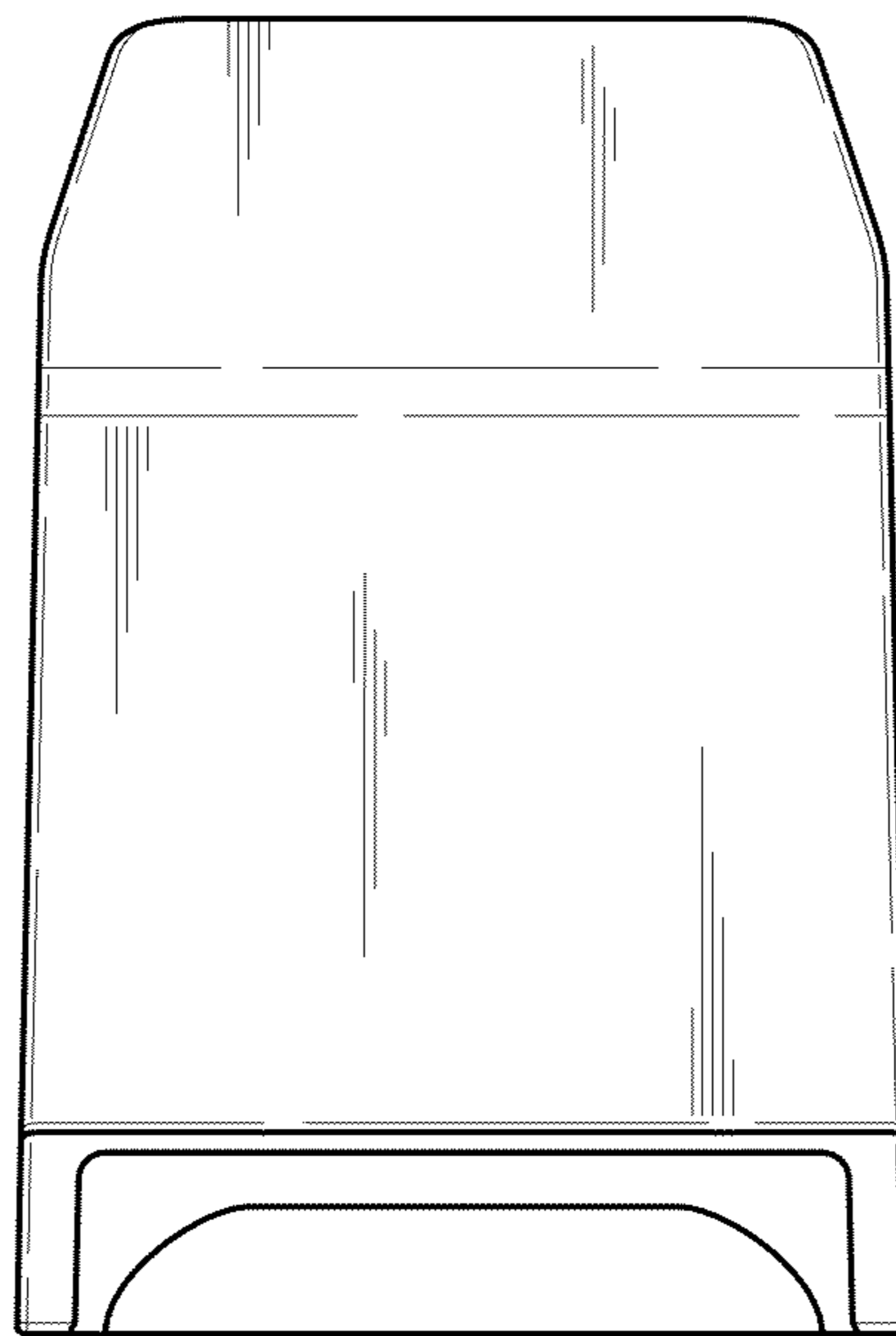


FIG. 4

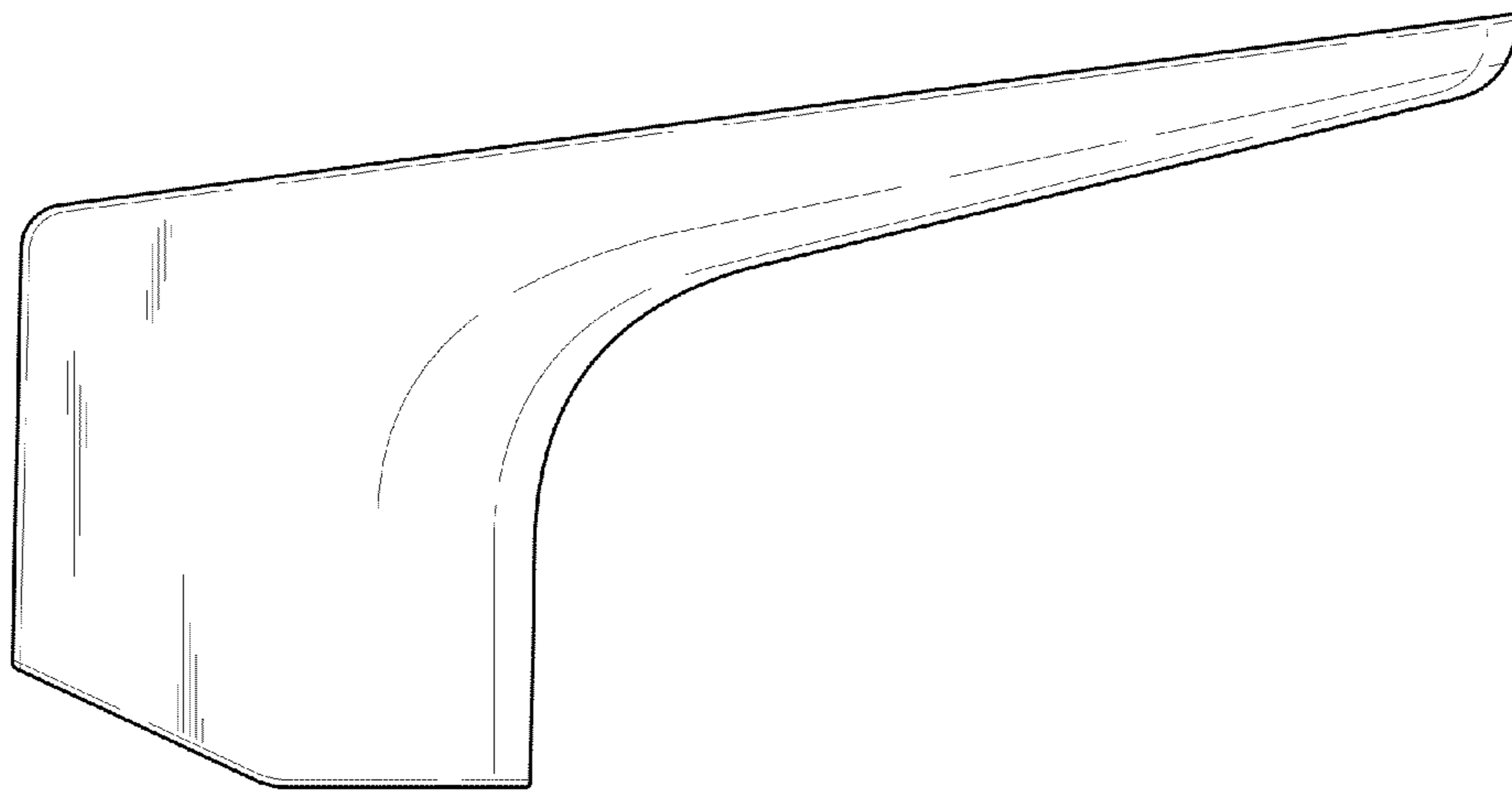


FIG. 5

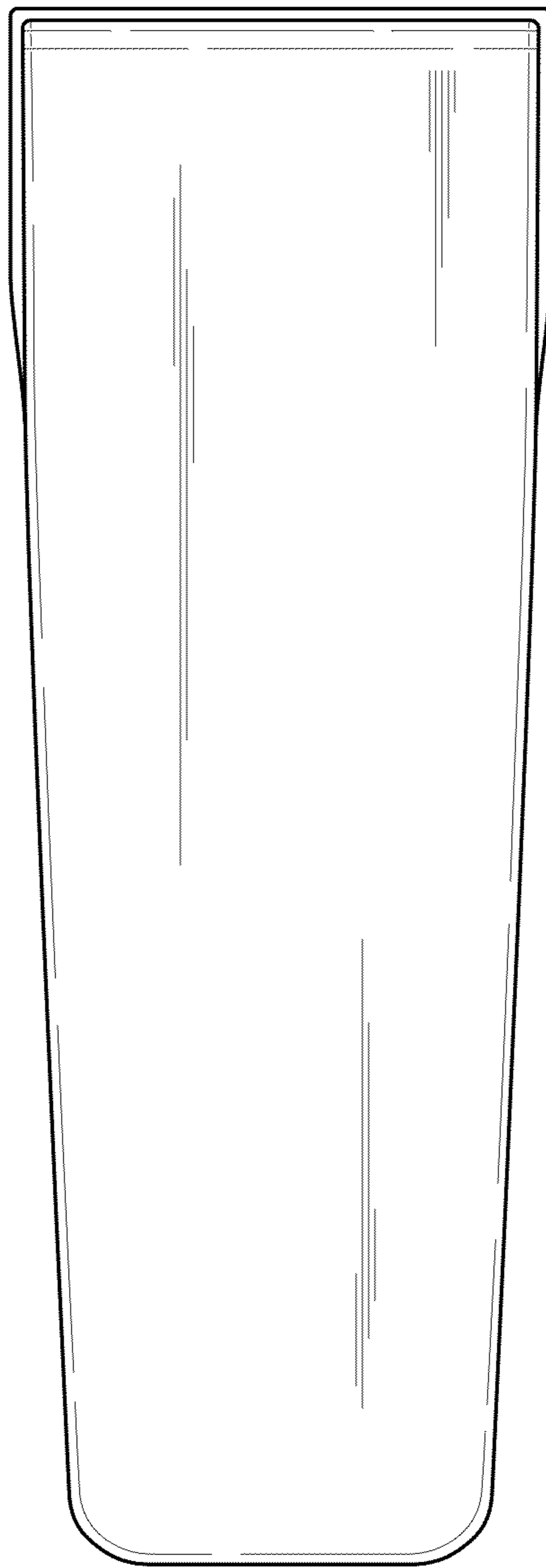


FIG. 6

