



US00D760358S

(12) **United States Design Patent**
Schoenherr et al.

(10) **Patent No.:** **US D760,358 S**
(45) **Date of Patent:** **** Jun. 28, 2016**

(54) **FAUCET HANDLE**
(71) Applicant: **Hansgrohe SE**, Schiltach (DE)
(72) Inventors: **Tom Schoenherr**, Stuttgart (DE);
Andreas Diefenbach,
Ludwigsburg-Oßweil (DE); **Ralf**
Kittmann, Stuttgart (DE)

D532,279 S 11/2006 Bouroullec et al.
D543,827 S 6/2007 Citterio
D645,942 S * 9/2011 Flowers D23/250
D661,375 S 6/2012 Citterio
D689,987 S * 9/2013 Kington D23/238
D713,011 S 9/2014 Schoenherr et al.
D714,426 S 9/2014 Kulig

(73) Assignee: **Hansgrohe SE**, Schiltach (DE)
(**) Term: **15 Years**

FOREIGN PATENT DOCUMENTS

CN 302280632 1/2013
EM 001364400-0072 3/2013
EM 002318493-0006 10/2013
IR 074510 10/2010

(21) Appl. No.: **29/527,744**

* cited by examiner

(22) Filed: **May 21, 2015**

Primary Examiner — Robert Delehanty

(30) **Foreign Application Priority Data**

(74) *Attorney, Agent, or Firm* — Lora J. Graentzdoerffer

Nov. 25, 2014 (EM) 002584722-0007

(51) **LOC (10) Cl.** **23-02**

(57) **CLAIM**

The ornamental design for a faucet handle, as shown and described.

(52) **U.S. Cl.**
USPC **D23/252**

DESCRIPTION

(58) **Field of Classification Search**
USPC D23/238, 241–243, 249, 250, 252
CPC E03C 1/04; E03C 1/0401; E03C 1/0402;
E03C 1/0404

FIG. 1 is a perspective view;
FIG. 2 is a front elevation view;
FIG. 3 is a rear elevation view;
FIG. 4 is a right side elevation view;
FIG. 5 is a left side elevation view;
FIG. 6 is a top plan view; and,
FIG. 7 is a bottom plan view.
The broken-line disclosure in the views represents portions of the faucet handle in which the claimed design is embodied, but which form no part of the claimed design.

See application file for complete search history.

(56) **References Cited**

U.S. PATENT DOCUMENTS

D325,424 S * 4/1992 Dannenberg D23/238
D387,136 S * 12/1997 Oswaks D23/252

1 Claim, 7 Drawing Sheets

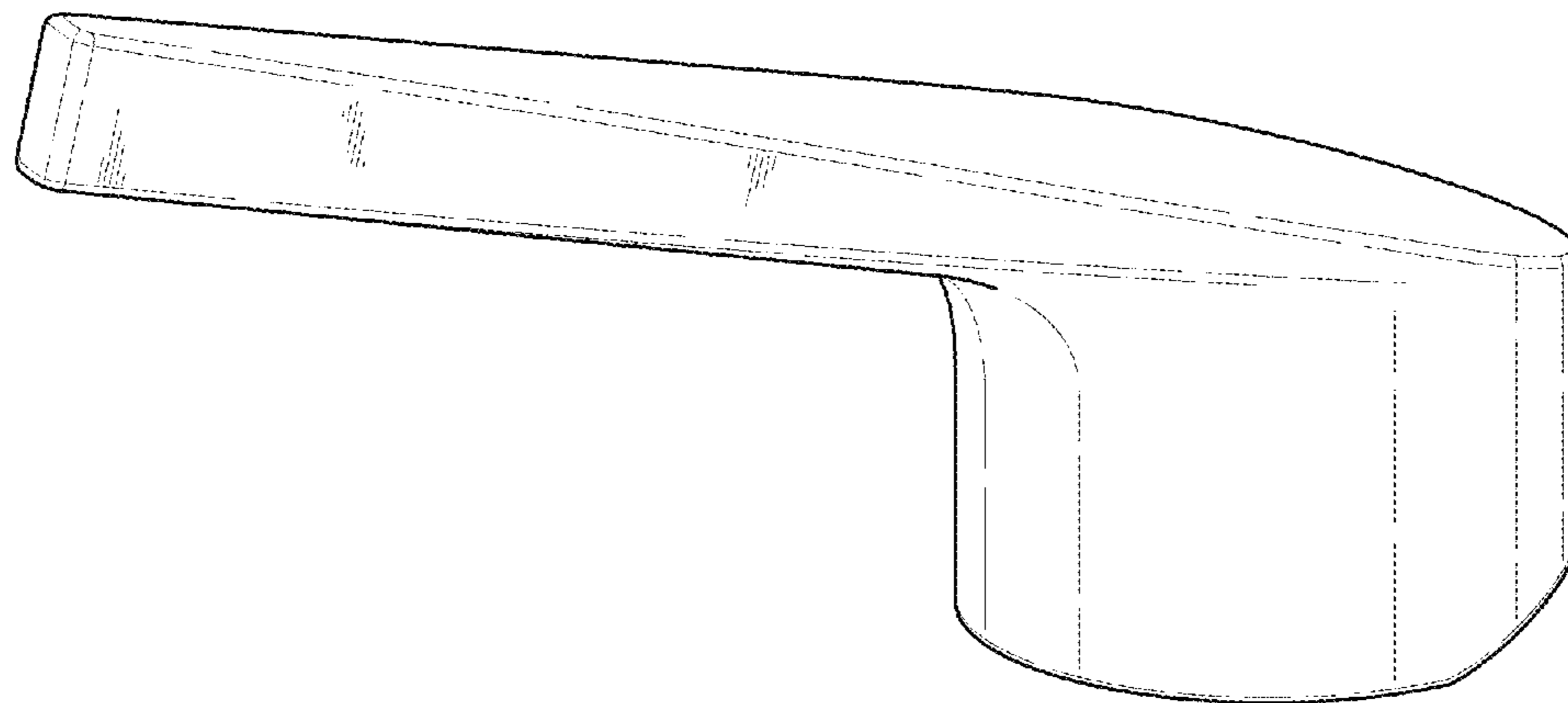


FIG. 1

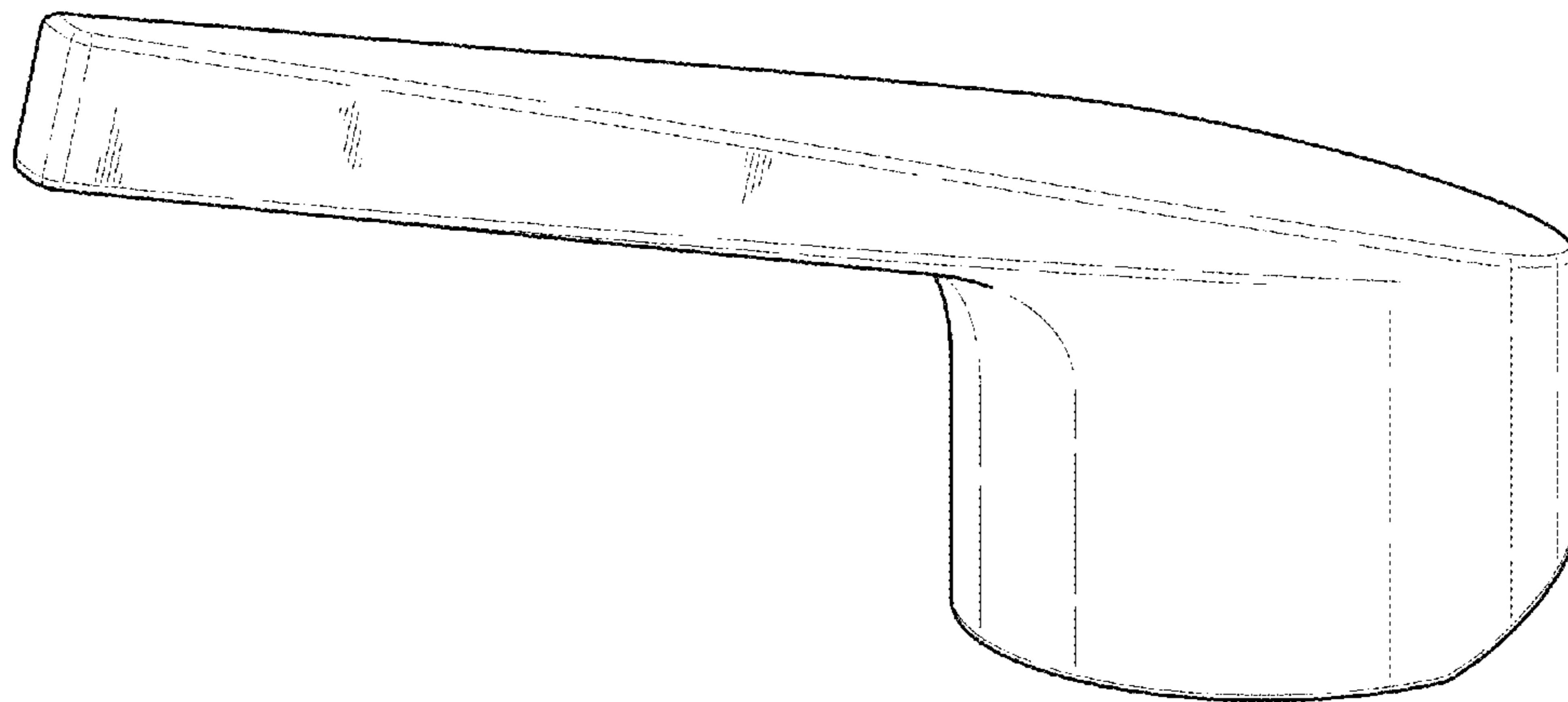


FIG. 2

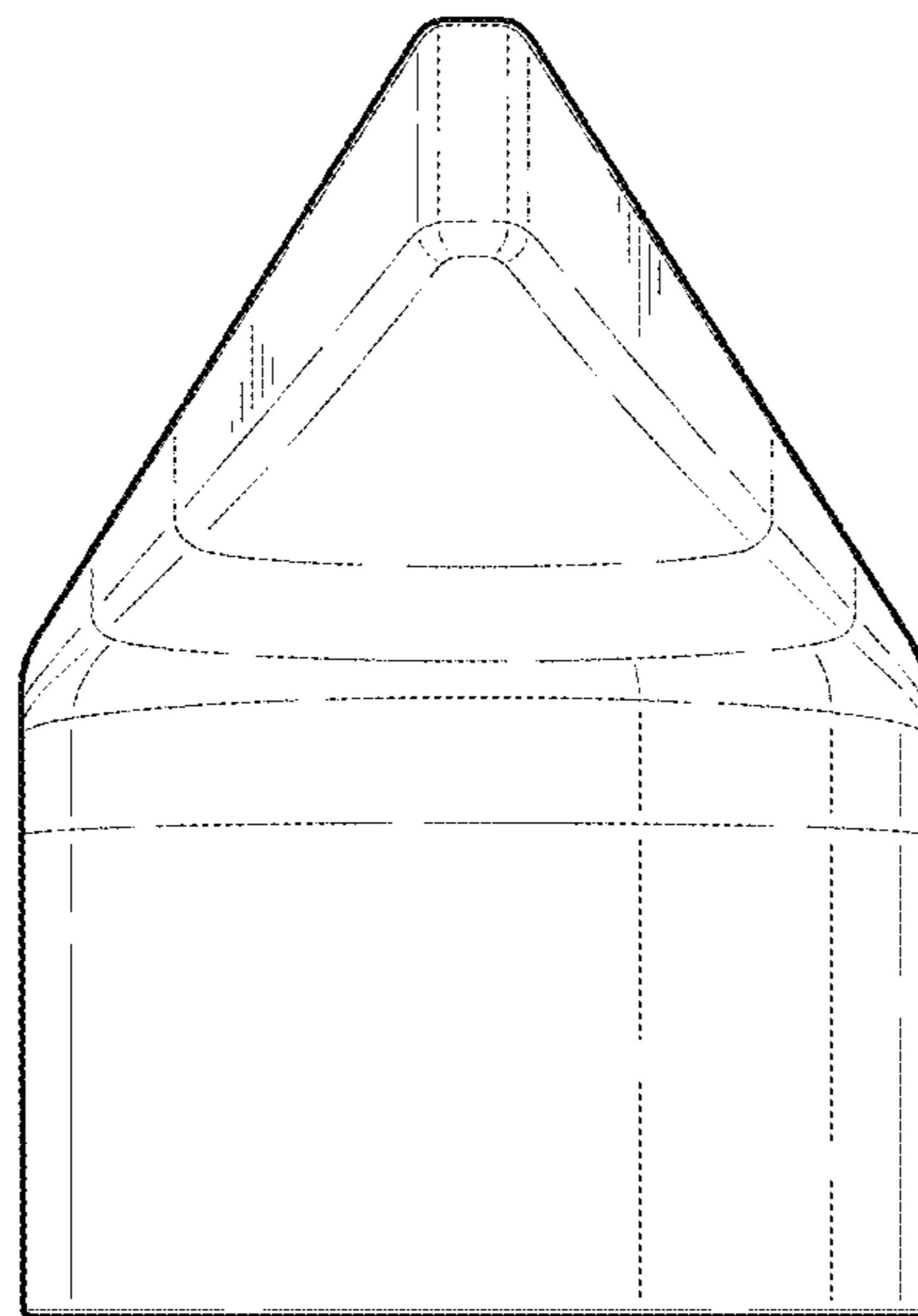


FIG. 3

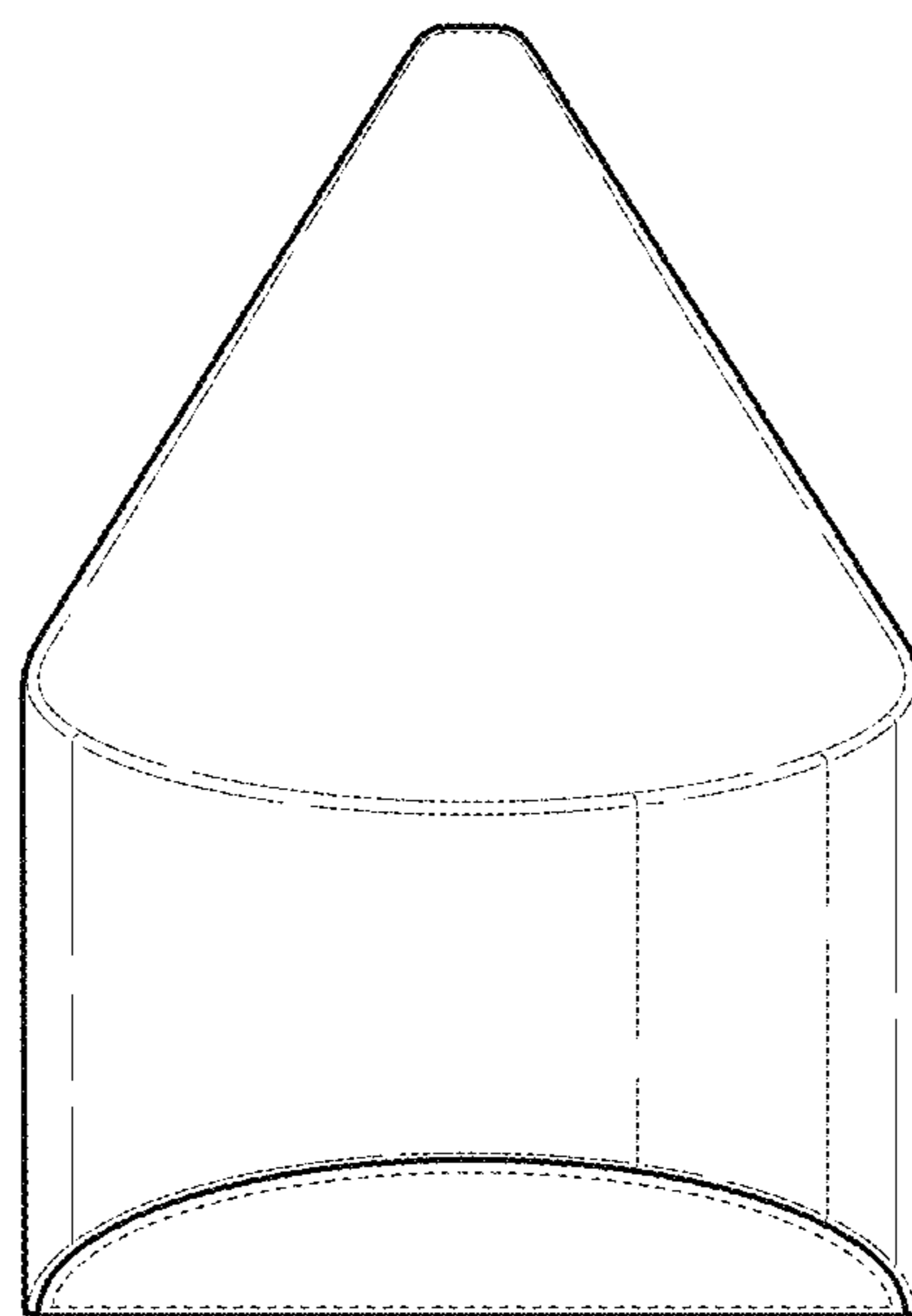


FIG. 4

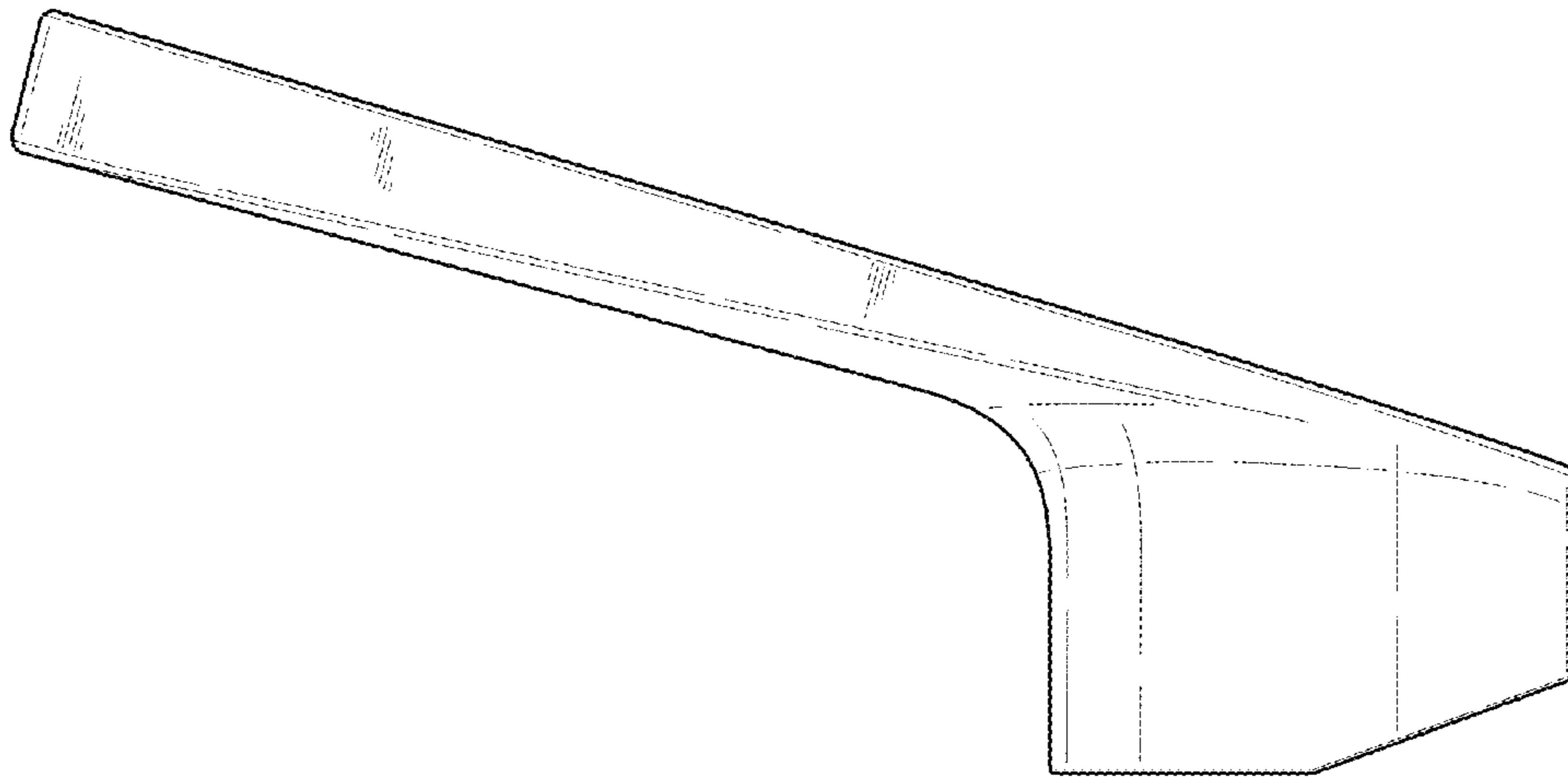


FIG. 5

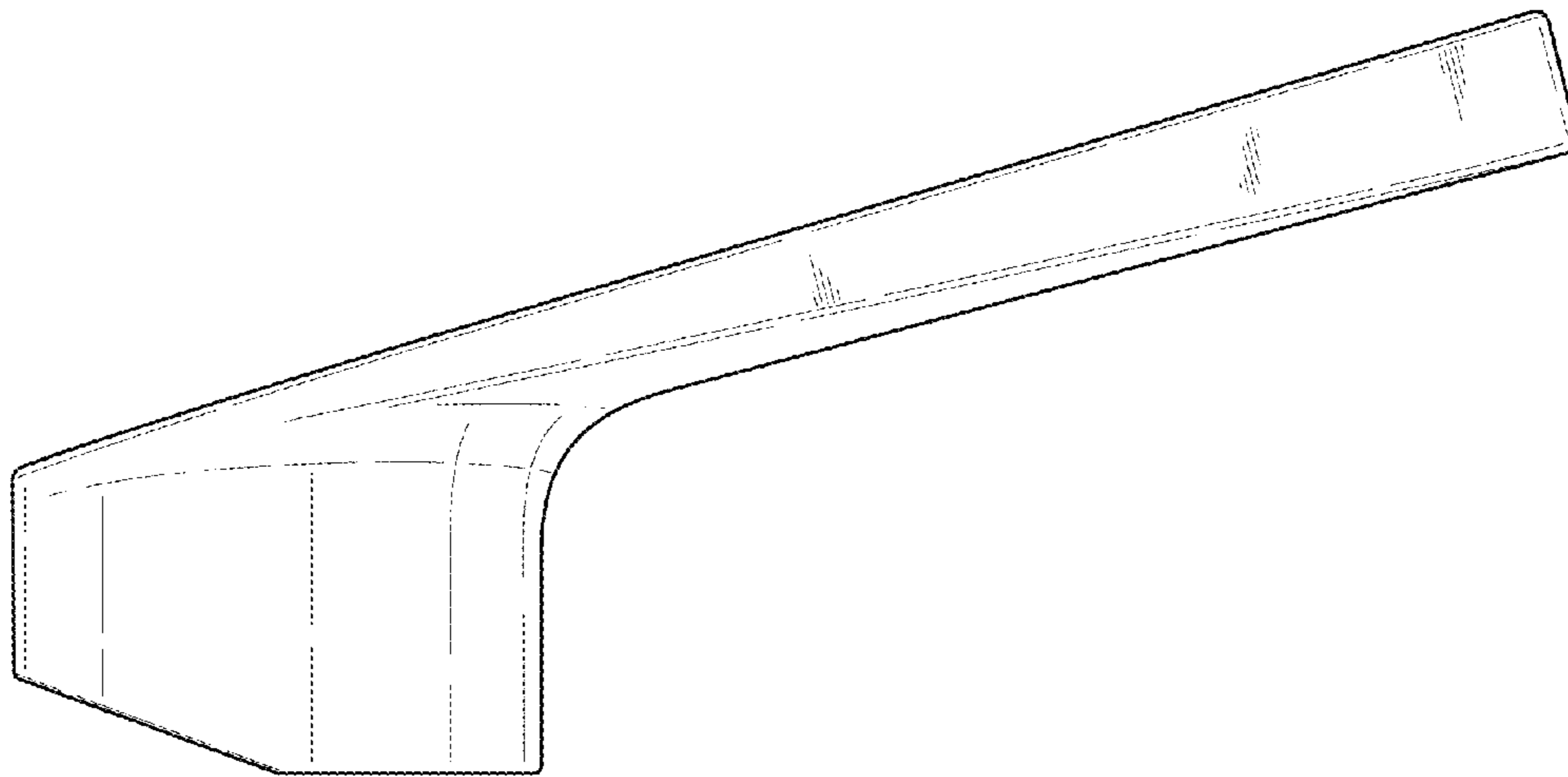


FIG. 6

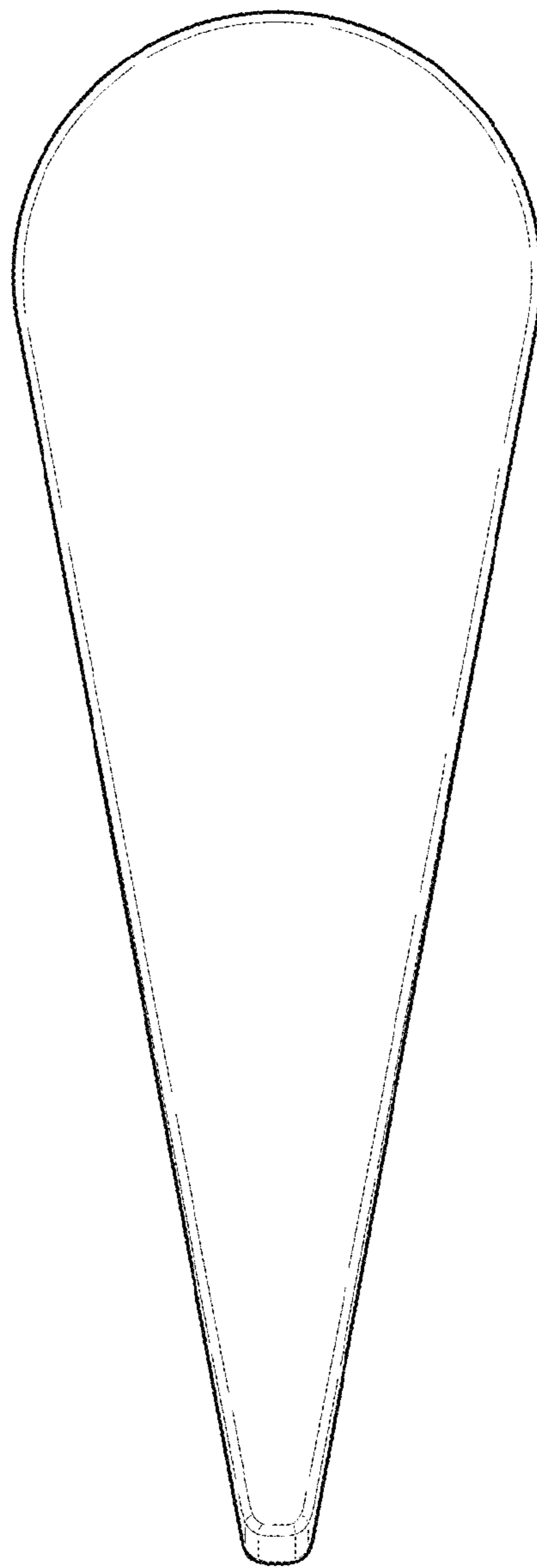


FIG. 7

